



RELIABILITY BUILT IN™

T&S BRASS

**G-11
PRODUCT
CATALOG**

Practically Beautiful.





The Alliance For Water Efficiency is a national nonprofit organization that advocates for water efficiency and conservation among its diverse membership.

T&S is a member of the U.S. Green Building Council (USGBC), an independent accrediting body that has developed a rating system, the Leadership in Energy and Environmental Design (LEED®) to measure energy efficiency and sustainable building practices.

As a WaterSense Partner we signed an agreement with the U.S. Environmental Protection Agency (EPA) to show our commitment to promote its goals for national water efficiency.



T&S is deeply committed to water and energy conservation and sustainable practices in manufacturing the industry's most energy-efficient foodservice and plumbing products. We are proud to be affiliated with these three organizations.

The "LEED Certification Mark" is a registered trademark owned by the U.S. Green Building Council and is used by permission.

Company History

With a steadfast commitment to quality, **T&S Brass and Bronze Works, Inc.** for over 60 years has set the standard of excellence for the plumbing industry.

Founded in 1947, **T&S** originally developed foodservice plumbing equipment, including the markets' first pre-rinse unit, which became the industry standard. In 1950, we introduced its full line of foodservice plumbing products, establishing **T&S** as the premier manufacturer in the industry. By 1953, **T&S** introduced the foot pedal valve, the next **T&S** product to become the industry standard.

Over the next four decades, we entered new markets within the plumbing industry. In 1956, **T&S** made its debut into the laboratory market with its Lab-Flo line of laboratory service fittings. Four years later, the company expanded into nonresidential markets with industrial grade faucets for institutional applications, and penetration of the commercial plumbing market began.

Today, **T&S** produces faucets, fittings and specialty products for foodservice, industrial, commercial plumbing and laboratory markets. Our products have become the standard for the majority of U.S. hospitals, schools, restaurants, prisons, and public facilities.

T&S expansion, however, has not been limited to the borders of the United States. During the last thirty years, the company has significantly increased overseas exports. Today, representatives sell **T&S** products around the world – in Europe, Australia, the Middle East, Canada, Japan, southeast Asia and Central and South America.

To support its growing global distribution system, **T&S** has established facilities on several continents. More than 200 employees manufacture products and service customers from company headquarters in Travelers Rest, South Carolina, with a second U.S. distribution center in Simi Valley, California to more efficiently serve the west coast. An overseas office and distribution center is located in Europe.

Leading the way in innovation, quality manufacturing and customer service, **T&S** will remain dedicated to the same level of excellence which established its reputation and what our customers rely on – **Reliability Built In™**.

Warranty Information

All **T&S** products are warranted to be free from defects in material and workmanship for a period of one (1) year from the date of purchase. Liability is limited thereunder to factory repair and/or replacement of material found to be defective, after examination by **T&S**, during the warranty period. No claims for labor, shipping costs or consequential damages will be accepted or honored.

Replacement and/or repair under this warranty will be made within a reasonable time after receipt by **T&S** of the allegedly defective item.

Items which have received secondary finishing or have been altered in any way after purchase are not covered by this warranty. Claims resulting from damaged cartons must be filed with the carrier.

Some states do not allow limitations on how long an implied warranty lasts or on the exclusion of incidental or consequential damages, so all the limitations or exclusions appearing herein may not be permitted by your state and, therefore, your local statutes should be consulted with respect thereto or with respect to any other rights which your state statutes may specifically confer on you.

After receiving proper authorization, all returns of merchandise which are claimed defective under this warranty must be sent to **T&S Brass and Bronze Works, Inc.**, P.O. Box 1088, 2 Saddleback Cove, Travelers Rest, SC 29690, clearly marked to the attention of the Warranty Repair Department. Shipping charges, both ways, shall be paid by the customer.



ACS Accessories



A Pre-Rinse Units



B Pot, Kettle and Glass Fillers



C Faucets and Components



CP ChekPoint™ Electronic Faucets



D Institutional, Medical and Lab Products



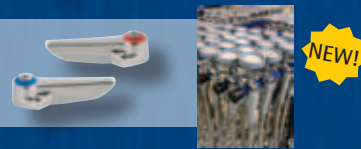
E Washdown and Clean-Up Solutions



F Safe-T-Link Gas and Water Appliance Connectors



G Parts Kits



H Emergency Safety Equipment by Haws



I equip Plumbing Products



J Pet-Care Plumbing Products



K EnviroPure Systems



**T&S BRASS
PRODUCT OVERVIEW**

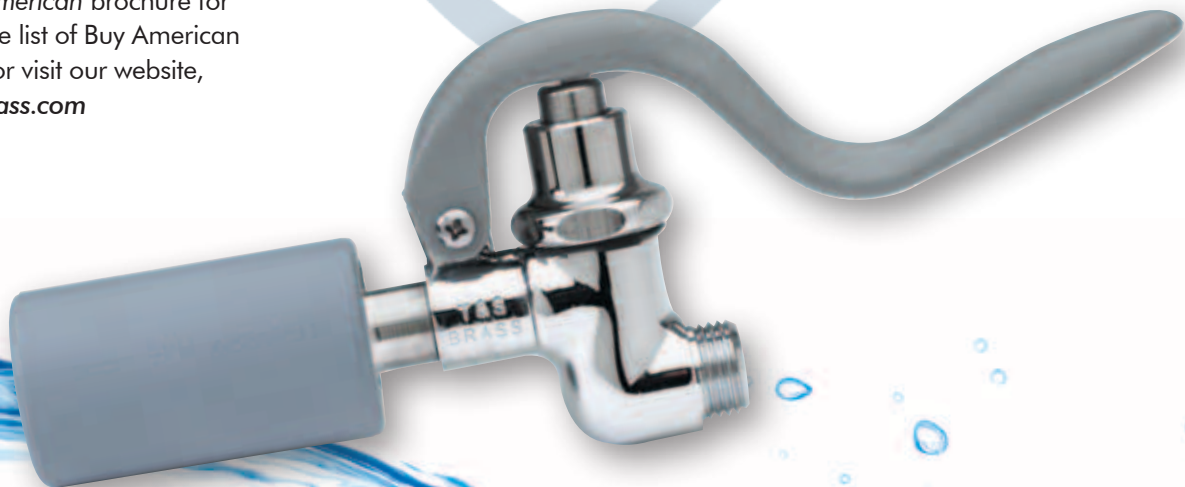


T&S Brass
Your Source for Buy American Act Products



T&S Brass is pleased to produce over 5,000 products and parts that comply with the requirements of the Buy American Act.

Please request a copy of our *Buy American* brochure for a complete list of Buy American products or visit our website, www.tsbrass.com





ACS Accessories	Nozzles, Goosenecks and Spouts • Aerators, Laminar Flow Outlets and Non-Aerated Spray Devices • Cartridge Assemblies • Hot and Cold Spindle Assemblies • Adapters • Handles • Inlet Product Options • Hoses
A Pre-Rinse Units	Single Hole Deck-Mount Pre-Rinses • 8" Deck-Mount Pre-Rinses • 8" Wall-Mount Pre-Rinses • Swivel for Pre-Rinse Units • Accessory Tees • Spray Valve, Faucet and Hose Assemblies • Spray Valve / Pre-Rinse Accessories
B Pot, Kettle and Glass Fillers	Glass Fillers, Water Stations and Bubblers • Water Filtration Models • Pot and Kettle Fillers • Range Faucets and Pot Fillers • Kettle Kaddy Spray Stanchions • Big-Flo Faucets • Dipperwell Faucets • Accessories
C Faucets and Components	Swivel Sink and Pantry Faucets and Nozzles • Rigid Sink and Pantry Faucets • Workboard Faucets and Nozzles • Water-Saving Faucet Models • Waste Valves • T&S Product Adaptability • Faucet-Nozzle Charts
CP ChekPoint™ Electronic Faucets	ChekPoint™ Sensor Faucets with Above Deck Electronics • Below Deck Electronic Faucets • Thermostatic Mixing Valve Models • Hydrogenerator Models • Features and Options Charts • Ware-Washing Rinse Faucet
D Institutional, Medical and Lab Products	Single Lever Faucets • Lavatory Faucets • Pedal Valves, Dummy Goosenecks and Bubblers • Service Sink and Sill Faucets • Bedpan Washers • Bath and Shower • Vacuum Breakers • Laboratory Faucets • Stops
E Washdown and Clean-Up Solutions	Stainless Steel Open and Enclosed Retractable Hose Reels • Painted Steel Open and Enclosed Retractable Hose Reels • Complete Hose Reel Systems Charts • Water Guns and Spray Valves • Washdown Stations / Accessories
F Safe-T-Link Gas and Water Appliance Connectors	Gas Appliance Connectors and Accessories • Water Appliance Connectors and Accessories • SwiveLink and FreeSpin Fittings • Quick-Disconnects • POSI-SET Wheel Placement System For Moveable Cooking Equipment
G Parts Kits	Parts, Repair and Installation Kits / Pre-Rinses and Spray Valves • Cartridges and Spindle Assemblies • Faucets and Handle Parts Kits • Plumbing and Waste Valve Kits • Glass Filler and Vacuum Breaker Repair Kits
H Emergency Safety Equipment by Haws	Emergency Safety Equipment For On-the-Job Eye Safety / Eye and Face Wash Units • Eyewash Stations • Counter-Mounted Eye/Face Wash Unit • Tempered Water Blending Valve • Safety Recording, Parts and Repair Kits
I Equip Plumbing Products	Equip Electronic Faucets / Equip Deck- and Wall-Mount Pre-Rinse Units • Equip Faucets • Equip Glass Fillers • Equip Hose Reels, Water Guns and Spray Valves • Swing Nozzles and Goosenecks • Accessories
J Pet-Care Plumbing Products	Wash and Rinse Pre-Rinses and Faucets / Pet Grooming Stations • Wall- and Deck-Mount Faucets with Sprays • Equip Electronic and Hands-Free Faucets • Hose Reels • Sprays / Water Guns • Washdown Station • Eyewash Safety
K EnviroPure Systems	A Revolutionary On-Site System To Process Your Food Waste • Tailored To Your Unique Facility • Eliminate Hauling Costs • Good For Your Bottom Line • Good For the Planet • Offer a Range of Capacities To Meet Your Needs
IN Master Index	



Product Adaptability

T&S Brass offers unparalleled product adaptability. Our extensive product lines include base faucets, nozzles, aerators, goosenecks, spouts, handles and inlet options, and many combinations of T&S components are available.

Nozzles, Goosenecks and Spouts



Handles



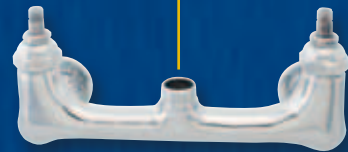
Inlets



Aerators



T&S Swivel or Rigid Faucets Can Combine with a Wide Variety of T&S Goosenecks, Nozzles, Spouts, Handles, Inlets and Aerators



For example to customize your faucet, you could specify:





If Your World Is Ceramic, Choose **T&S Cerama**

The Commercial Grade Ceramic Cartridge Built to Last a Lifetime

T&S offers the first truly commercial ceramic cartridge designed for heavy use in both foodservice and plumbing applications and backed by a lifetime guarantee. **Cerama** represents the latest in ceramic disc technology and is made from the finest materials. Precision-polished to form a perfect fit, the discs create a watertight seal that will not leak.

Only the **T&S Cerama** offers the benefits of true commercial construction. **Cerama** has a solid brass spindle and body, which provides rugged durability. **Cerama's** sturdy spline gives a solid permanent lock and provides superior torque resistance. **Cerama** can withstand temperatures up to 180°F, and integrated cartridge baffles at the outlets reduce water hammer and provide quiet operation.



U.S. Patent
5,996,614

As an added benefit for applications with valves downstream, **T&S Cerama** is the only ceramic cartridge (U.S. Patent # 5,996,614) that comes with an optional integral check valve, which is critical for stopping cross flow in applications.

T&S Cerama – manufactured to the highest standards to bring you quality and maintenance-free performance backed by a lifetime guarantee.

T&S Cartridge Water Savings - GPM Chart

	At 60 psi	At 60 psi (with spring checks)
T&S Eterna	8 GPM per side	6 GPM per side
T&S Cerama	6 GPM per side	5 GPM per side

If Your World Is Compression, Choose **T&S Eterna**

The Compression Cartridge That Specifiers and End-Users Have Relied on For Over 50 Years

T&S Eterna cartridges “rule” the compression world. Tried and true, the **Eterna** cartridge has impressed specifiers and end-users alike with its rugged quality, flexibility, common sense design and superior value. **Eterna** is a proven compression cartridge backed by experience and the excellent **T&S** standard warranty. Its solid brass body is the mark of a true commercial grade product.



Certification

As a leader in quality manufacturing, **T&S Brass** proudly displays certificates that demonstrate that we have met the stringent standards developed by the International Standardization Organization (ISO), ASME International, NSF International and CSA International (Canadian Standards Association).

Our company's ISO-9001:2008 certification is based on an evaluation of its performance of the various jobs and processes that potentially affect product quality. **T&S** guarantees its products will be manufactured to the highest standards in the industry with the finest craftsmanship possible.



Underwriters Laboratories plays a key role in evaluating how **T&S** meets the ISO-9001:2008 standard. As the Quality Systems Registrar, UL DQS Inc. was responsible for the entire registration process and oversees periodic assessments to help **T&S** maintain its goal of exceeding customer expectations for quality manufacturing and service.

CSA International handles the vast majority of third-party testing and certifications for **T&S Brass** products. These product certifications are a further demonstration of our company's commitment to the needs of our customers and their communities. Following an evaluation for both the leaching of contaminants into drinking water from faucets and the mechanical quality standards, **T&S** pre-rinse units and drinking water and lavatory faucets meet or exceed the NSF/ANSI Standard 61, Section 9 standard for Drinking Water Systems (Health Effects) and the ASME A112.18.1 / CSA B125.1 standard for mechanical quality. In short, **T&S** products are both safe for use within any drinking water system and adhere to the mechanical quality standards for ease of installation, operation, and reliability.

By meeting or exceeding the standards set by these internationally recognized organizations, we demonstrate our commitment to deliver the highest quality products to customers around the world.



At **T&S Brass**, we are pleased to take a leading role in innovating and developing AB1953-compliant fixture fittings. Look to **T&S's** website, www.tsbrass.com for news and products related to AB1953 and the newly released NSF/ANSI 372 Drinking Water Systems Components – Lead Content. Contact your sales representative or **T&S** customer service for more information. And enjoy the confidence that comes with **Reliability Built In™**.



Endorsed by



Attention: California Residents
California's Proposition 65 requires that California consumers receive warnings about any products which contain chemicals known to the State of California to cause cancer or birth defects or other reproductive harm. The State of California requires the following notice: **WARNING:** This product contains chemicals known to the State of California to cause cancer, and birth defects or other reproductive harm.

Associations



ACS Accessories



G-11 General Product Catalog

Table of Contents



Accessories – ACS

Faucets and Fittings ACS2-15

- Nozzles, Goosenecks and Spouts 3-5
- Big-Flo Nozzles 6
- Custom Goosenecks and Nozzles 6
- Aerators 7
- Laminar Flow Outlets 8
- Non-Aerated Spray Devices 8
- Other Outlets (Series 1 and 2) 9
- Handles 14-15
- Vandal-Resistant Keys 15
- Soap Dishes 15

Cartridge Assemblies ACS10-11

Hot and Cold Spindle Assemblies ACS12-13

EasyInstall Accessory Tees ACS16

Inlet Product Options ACS17-19

- Union Coupling Inlets 17
- Inlet Extensions 18
- Elbows and Tees 19
- Supply Nipple Kits 19

Adapters, Risers, Connectors ACS20-21

- Adapters, Inlets and Supply Connectors 20
- Risers and Connectors 20
- Conversion and Inlet Adapters 21

Replacement Hoses ACS22

- Flexible Stainless Steel 22
- PVC and Vinyl 22

T&S Brass and Water Conservation ACS23

- Definitions and Use: T&S Water Conservation Products
- Aerators, Laminar Flow Outlets and Non-Aerated Spray Device Outlets
- Plain End Outlets with Flow Towers
- Multiple Flow Tower Installation and GPM



NOTE:
 A comprehensive *Index By Model or Part Number and Page* can be found in the **G-11 General Product Catalog Master Index** section (IN).

? **Can't find the T&S product you're looking for?**
 Please visit www.tsbrass.com for a complete product listing.

Nozzles, Goosenecks and Spouts

Swing Nozzles

SERIES 1
OUTLETS



- Nozzle tip has 55/64-27 UN male threads for Series 1 outlets and stream regulator (B-PT)

Model No.	Standard Sizes Length	Standard Sizes Height	Clearance
059X	6" (152 mm)	5-1/16" (129 mm)	2-5/16" (59 mm)
060X	8" (203 mm)	5-11/16" (144 mm)	2-15/16" (74 mm)
061X	10" (254 mm)	6-9/16" (167 mm)	3-13/16" (97 mm)
062X	12" (305 mm)	7-1/16" (179 mm)	4-5/16" (110 mm)
063X	14" (356 mm)	7-5/8" (194 mm)	4-7/8" (124 mm)
064X	16" (406 mm)	8-3/4" (222 mm)	5-15/16" (151 mm)
065X	18" (457 mm)	9-1/16" (230 mm)	6-5/16" (160 mm)

- 059XM Master Box (12)
- 060XM Master Box (12)
- 061XM Master Box (12)
- 062XM Master Box (12)
- 063XM Master Box (12)
- 064XM Master Box (12)
- 065XM Master Box (12)
- 060XP Plain end outlet
- 062XP Plain end outlet

Note: XP = Plain end

- XP nozzles require a minimum flow rate of 1.0 GPM

Note: See p. 7-8 for other Series 1 outlets used with these swing nozzles

Double-Joint Nozzles

SERIES 1
OUTLETS



- Nozzle tip has 55/64-27 UN male threads for Series 1 outlets and stream regulator (B-PT)

Model No.	Standard Sizes Back Section	Standard Sizes Front Section	Total Length	Height	Clearance
066X	6" (151X) (152 mm)	6" (153X) (152 mm)	12" (305 mm)	7-1/8" (181 mm)	4-5/16" (110 mm)
067X	9" (152X) (229 mm)	6" (153X) (152 mm)	15" (381 mm)	7-1/8" (181 mm)	4-5/16" (110 mm)
068X	12" (002781-40) (305 mm)	6" (153X) (152 mm)	18" (457 mm)	7-1/8" (181 mm)	4-5/16" (110 mm)
069X	12" (002781-40) (305 mm)	12" (006186-40) (305 mm)	24" (610 mm)	6-9/16" (167 mm)	3-7/8" (98 mm)

Double-Joint Nozzle Sections:

- 151X 6" (152 mm) back section
- 152X 9" (229 mm) back section
- 153X 6" (152 mm) front section

Note: See p. 7-8 for other Series 1 outlets used with these double-joint swing nozzles

Swivel Gooseneck

SERIES 1
OUTLETS

SERIES 2
OUTLETS



- Nozzle tip has either 55/64-27 UN male or 3/8" NPSM female threads and stream regulator

Model No.	Standard Sizes Spread	Standard Sizes Height	Standard Sizes Clearance	Outlet/Series
131X	2-13/16" (71 mm)	4-11/16" (119 mm)	2-3/16" (56 mm)	B-PT (Series 1)
132X	2-5/8" (67 mm)	9" (229 mm)	5-7/16" (138 mm)	B-LT (Series 2)
133X	5-11/16" (144 mm)	10-5/16" (262 mm)	6-1/4" (159 mm)	B-PT (Series 1)
133X-AER	5-3/4" (146 mm)	10-5/16" (262 mm)	5-13/16" (148 mm)	B-0199-01 (Ser. 1)
133X-LAM	5-3/4" (146 mm)	10-5/16" (262 mm)	5-13/16" (148 mm)	B-0199-21 (Ser. 1)
133X-LAM-VR	5-3/4" (146 mm)	10-5/16" (262 mm)	5-13/16" (148 mm)	B-0199-21-VRF (1)
134X	7-3/4" (197 mm)	11-7/16" (291 mm)	5-9/16" (141 mm)	B-LT (Series 2)
135X	8-3/4" (222 mm)	12-1/16" (306 mm)	5-5/8" (143 mm)	B-LT (Series 2)
135X-LAM	8-3/4" (222 mm)	12-1/16" (306 mm)	5-13/16" (148 mm)	B-0199-21 (Ser. 1)
135X-LAM-VR	8-3/4" (222 mm)	12-1/16" (306 mm)	5-13/16" (148 mm)	B-0199-21-VRF (1)
136X	12-3/16" (310 mm)	14-11/16" (373 mm)	5-9/16" (141 mm)	B-LT (Series 2)

Swivel Gooseneck/Plain End Spout:

- 131XP Same as 131X except with plain end
- 132XP Same as 132X except with plain end
- 133XP Same as 133X except with plain end
- 134XP Same as 134X except with plain end
- 135XP Same as 135X except with plain end

Note: XP = Plain end

- XP nozzles require a minimum flow rate of 1.0 GPM

Swivel Gooseneck/Stream Regulator:

- 131X-ADA ADA gooseneck
- 131XM Master Box (6)
- 132XM Master Box (6)
- 133XM Master Box (6)
- 135XM Master Box (6)

Note: See p.7-8 for other Series 1 or Series 2 outlets used with these goosenecks

-AER Aerator -LAM Laminar Flow Outlet -VR Vandal-Resistant

Nozzles, Goosenecks and Spouts

ACS4
Accessories

Rigid Gooseneck

SERIES
2
OUTLETS



- Nozzle tip has 3/8" NPSM female thread for Series 2 outlets and stream regulator (B-LT)

Rigid Gooseneck/Stream Regulator:
120XM Master Box (6)

Model No.	Standard Sizes Spread	Height	Clearance
119X	2-5/8" (67 mm)	8-3/4" (222 mm)	5-1/4" (133 mm)
120X	5-1/2" (140 mm)	10-1/4" (260 mm)	5-1/4" (133 mm)
120X-LAM	5-9/16" (141 mm)	10-1/4" (260 mm)	4-13/16" (122 mm)
120X-LAM-VR	5-9/16" (141 mm)	10-1/4" (260 mm)	4-3/4" (121 mm)
122X	5-1/2" (140 mm)	11-1/2" (292 mm)	6-1/2" (165 mm)
123X	5-1/2" (140 mm)	12-1/2" (318 mm)	7-1/2" (191 mm)
124X	5-1/2" (140 mm)	13-1/2" (343 mm)	8-1/2" (216 mm)
125X	5-1/2" (140 mm)	14-1/2" (368 mm)	9-1/2" (241 mm)
126X	5-1/2" (140 mm)	5-1/2" (140 mm)	10-1/2" (267 mm)
127X	7-5/8" (194 mm)	11-1/12" (292 mm)	5-1/2" (140 mm)
128X	7-5/8" (194 mm)	13-1/2" (343 mm)	7-1/2" (191 mm)
129X	8-1/2" (216 mm)	11-3/4" (298 mm)	5-7/16" (138 mm)
130X	12-3/16" (310 mm)	13-3/8" (340 mm)	4-1/2" (114 mm)
165X	4-1/16" (103 mm)	9-1/4" (235 mm)	5-13/16" (148 mm)

Rigid Gooseneck/Plain End Spout:

- 119XP Same as 119X except with plain end
- 120XP Same as 120X except with plain end
- 122XP Same as 122X except with plain end
- 123XP Same as 123X except with plain end
- 129XP Same as 129X except with plain end

Note: XP = Plain end

- XP nozzles require a minimum flow rate of 1.0 GPM

Note: See p. 7-8 for other Series 2 outlets for these goosenecks

-LAM Laminar Flow Outlet **-VR** Vandal-Resistant

Soap Dish Nozzle

SERIES
2
OUTLETS

- Nozzle tip has 3/8" NPSM female thread for Series 2 outlets and stream regulator (B-LT)
- Fits all standard T&S swivel outlets



Model No.	Length
160X	6" (152 mm)
161X	8" (203 mm)
162X	12" (305 mm)
163X	18" (457 mm)

Note: See p. 7-8 for other Series 2 outlets used with these swing nozzles

OCS6 Swivel Cast Spout

SERIES
2
OUTLETS

- Polished chrome plated cast nozzle with 3/8" NPSM female threads for Series 2 outlets and aerator (B-0199-02)



Model No.	Length	Height	Clearance
OCS6	6" (152 mm)	2-3/8" (60 mm)	11/16" (24 mm)
OCS8	8" (203 mm)	5-3/16" (132 mm)	3-1/2" (96 mm)

OCS8-LT 8" (229 mm), B-LT stream regulator and 4" clearance

Note: See p. 7-8 for other Series 2 outlets used with these spouts

Nozzles, Goosenecks and Spouts

Swivel Vacuum Breaker Gooseneck



- Nozzle tip has 3/8" NPSM female thread for Series 2 outlets and stream regulator (B-LT)
- **B-0406-02, -03, -04**
Rigid polished chrome plated gooseneck with 3/8" NPT male inlet, swivel vacuum breaker – swivels at vacuum breaker
- **B-0407-02, -03, -04**
Swivel polished chrome plated gooseneck with vacuum breaker – swivels at base. Fits all standard T&S swivel outlets (B-0407 models only)



Model No.	Spread	Height	Clearance
B-0406-02	5-5/8" (143 mm)	9-1/16" (230 mm)	4-11/16" (119 mm)
B-0406-03	8-5/8" (219 mm)	9-1/16" (230 mm)	4-11/16" (119 mm)
B-0406-04	11-5/8" (295 mm)	9-1/16" (230 mm)	4-11/16" (119 mm)
B-0407-02	5-5/8" (143 mm)	8-11/16" (221 mm)	4-3/8" (111 mm)
B-0407-03	8-5/8" (219 mm)	8-11/16" (221 mm)	4-3/8" (111 mm)
B-0407-04	11-5/8" (295 mm)	8-11/16" (221 mm)	4-3/8" (111 mm)

Note: See p. 7-8 for other Series 2 outlets used with these goosenecks

Rigid Vacuum Breaker Gooseneck



- Rigid polished chrome plated gooseneck with vacuum breaker
- 3/8" NPT male inlet
- Nozzle tip has 3/8" NPSM female thread for Series 2 outlets and stream regulator (B-LT)
- Fits all standard T&S rigid outlets



Model No.	Spread	Height	Clearance
B-0405-02	5-5/8" (142 mm)	8-7/8" (226 mm)	4-1/2" (114 mm)
B-0405-03	8-9/16" (218 mm)	8-7/8" (226 mm)	4-1/2" (114 mm)
B-0405-04	11-5/8" (295 mm)	8-7/8" (226 mm)	4-1/2" (114 mm)

Note: See p. 7-8 for other Series 2 outlets used with these goosenecks

Vacuum Breaker Swing Nozzle with Stream Regulator



- Polished chrome plated swing nozzle with vacuum breaker
- Nozzle tip has 3/8" NPSM female thread for Series 2 outlets and stream regulator (B-LT)
- Fits all standard T&S swivel outlets



Model No.	Spread	Height
B-0408-02	5-5/8" (143 mm)	3-11/16" (94 mm)
B-0408-03	8-5/8" (219 mm)	3-11/16" (94 mm)
B-0408-04	11-5/8" (295 mm)	3-11/16" (94 mm)

Note: See p. 7-8 for other Series 2 outlets used with these nozzles

Vacuum Breaker Swing Nozzle with Garden Hose Thread



- Nozzle has 3/4" garden hose thread outlet (B-GH)
- Fits all standard T&S swivel outlets







Model No.	Spread	Height
B-0409-02	5-5/8" (143 mm)	3-11/16" (94 mm)
B-0409-03	8-5/8" (219 mm)	3-11/16" (94 mm)
B-0409-04	11-5/8" (295 mm)	3-11/16" (94 mm)

Note: See p. 7-8 for other Series 2 outlets used with these nozzles

Aerators



NEW
Water-Saving
Models!

	Flow Rate	Series 1	Series 2	Series 3	Series 4	Series 5
Stream Regulators <ul style="list-style-type: none"> Stream regulators: <ul style="list-style-type: none"> Full flow rate Stream regulators straighten the water flow 	Full flow	 B-PT <ul style="list-style-type: none"> Female aerator thread Plain outlet with screen and washer 	 B-LT <ul style="list-style-type: none"> 3/8" male thread Plain outlet 	-	-	-
Aerators <ul style="list-style-type: none"> Aerators: <ul style="list-style-type: none"> Non-splash stream WaterSense Aerator  Aerator 	2.2 GPM (8.3 l/min)	B-0199-01	B-0199-02	B-0199-03	B-0199-04	-
See Aerator Flow Tower Chart below to order aerators with flow control						
	1.5 GPM (5.7 l/min)	B-0199-01-WS (WaterSense)	B-0199-02-WS (WaterSense)	B-0199-03-WS (WaterSense)	B-0199-04-WS (WaterSense)	B-0199-05-WS (WaterSense)
	1.0 GPM (3.8 l/min)	B-0199-01-F10	B-0199-02-F10	-	-	-
Vandal-Resistant Aerators <ul style="list-style-type: none"> Non-splash stream Includes key (015425-45) WaterSense Aerator  	2.2 GPM (8.3 l/min)	B-0199-06	B-0199-07	B-0199-08	B-0199-09	-
See Aerator Flow Tower Chart below to order aerators with flow control						
	1.5 GPM (5.7 l/min)	B-0199-06-WS (WaterSense)	B-0199-07-WS (WaterSense)	B-0199-08-WS (WaterSense)	B-0199-09-WS (WaterSense)	B-0199-10-WS (WaterSense)
	1.0 GPM (3.8 l/min)	B-0199-06-F10	B-0199-07-F10	-	-	-



Aerators with Flow Towers	
B-0199-01F-XX	Series 1
B-0199-02F-XX	Series 2
B-0199-03F-XX	Series 3
Vandal-Resistant Aerators with Flow Towers	
B-0199-06F-XX	Series 1
B-0199-07F-XX	Series 2
B-0199-08F-XX*	Series 3

GPM ± 10% To order:
 Select flow desired, then add suffix to model number. For ex., B-0199-02**F-15** for 1.40 GPM
Note: Painted mark on each flow control within the assembly indicates flow of unit.

Aerator Flow Tower Chart	
Flow (GPM)	Suffix
0.25	F-03
0.40	F-05
0.70	F-07
0.90	F-10
1.20	F-12
1.40	F-15
2.00	F-20

* Not available with suffix -12 or -15

Laminar Flow Outlets and Non-Aerated Spray Devices

ACS8
Accessories



NEW Water-Saving Models!

	Flow Rate	Series 1	Series 2	Series 3	Series 4	Series 5
Laminar Flow Devices <ul style="list-style-type: none"> Non-aerated stream Screenless; for use in medical facilities to prevent airborne bacteria from entering water stream 	2.2 GPM (8.3 l/min)	B-0199-21	–	B-0199-26	B-0199-25	–
	1.5 GPM (5.7 l/min)	B-0199-29	–	–	–	–
Vandal-Resistant Laminar Flow Devices <ul style="list-style-type: none"> Non-aerated stream Screenless Vandal-resistant with key shown below (015425-45) -VR - female thread -VRF - female thread -VRM - male thread 	2.2 GPM (8.3 l/min)	B-0199-21-VRF	–	B-0199-28	B-0199-27	–
	1.5 GPM (5.7 l/min)	B-0199-29VR	–	–	B-0199-09-LF15	–
	1.0 GPM (3.8 l/min)	–	–	–	B-0199-08-LF10	B-0199-09-LF10
Non-Aerated Spray Devices <ul style="list-style-type: none"> Non-aerated spray pattern Screenless For use in medical facilities to prevent bacteria from entering water stream 	0.35 GPM (1.3 l/min)	B-0199-01-N035	B-0199-02-N035	B-0199-03-N035	B-0199-04-N035	B-0199-05-N035
	0.5 GPM (1.9 l/min)	B-0199-01-N05	B-0199-02-N05	B-0199-03-N05	B-0199-04-N05	B-0199-05-N05
Vandal Resistant Non-Aerated Spray Devices <ul style="list-style-type: none"> Non-aerated spray pattern Screenless For use in medical facilities to prevent bacteria from entering water stream Vandal-resistant key (shown below) to attach and remove outlet (015425-45) 	0.35 GPM (1.3 l/min)	B-0199-06-N035	B-0199-07-N035	B-0199-08-N035	B-0199-09-N035	B-0199-10-N035
	0.5 GPM (1.9 l/min)	B-0199-06-N05	B-0199-07-N05	B-0199-08-N05	B-0199-09-N05	B-0199-10-N05



NEW Water-Saving Models!

NEW Water-Saving Models!

Outlets

Series 1 Outlets

SERIES 1
OUTLETS

- 55/64-27 UN female aerator threads
- Fits all swing nozzles and 131X, 133X goosenecks

B-0103-01 Rosespray

- 55/64-27 UN female aerator thread
- Solid brass construction



B-GFE Garden Hose Outlet

- 55/64-27 UN female aerator thread
- Fits on end of nozzle or gooseneck to convert aerator male thread to 3/4" male garden hose thread



B-0199-22 Swivel Aerator

- 55/64-27 UN female inlet
- Includes 15/16-27 UN male adapter
- Swivel outlet
- 2.2 GPM
- Dual spray pattern: aerator or rosespray



NEW
Water-Saving
Models!

Series 2 Outlets

SERIES 2
OUTLETS

- 3/8" NPSM male thread
- Fits goosenecks

B-0103 Rosespray

- Solid brass construction
- 3/8" NPSM male thread



B-0198 Serrated Hose End

- 3/8" NPT male inlet thread
- Serrated hose end accepts rubber or plastic tubing up to 1/2" I.D.



B-0103-Fxx Series Rosespray

- Solid brass construction
- 3/8" NPSM male thread
- **B-0103-FXX models** with flow control assembly and 3/8"-18 NPT male thread – refer to Flow Tower Chart below to specify flow desired and add numbers to model

Flow Tower Chart

Model No.	Flow (GPM)	Laser Marking
B-0103-F03	0.25	025
B-0103-F05	0.40	040
B-0103-F07	0.70	070
B-0103-F10	0.90	090
B-0103-F12	1.20	120
B-0103-F15	1.40	140
B-0103-F20	2.00	200

B-0198-Fxx Series Serrated Hose End

- 3/8" NPT male inlet thread
- Straight serrated hose tip with flow tower and retainer assembly
- End accepts rubber or plastic tubing up to 1/2" I.D.
- Refer to Flow Tower Chart below to specify flow desired and add numbers to model suffix

Flow Tower Chart

Model No.	Flow (GPM)	Laser Marking
B-0198-F03	0.25	025
B-0198-F05	0.40	040
B-0198-F07	0.70	070
B-0198-F10	0.90	090
B-0198-F12	1.20	120
B-0198-F15	1.40	140
B-0198-F20	2.00	200

For Serrated Hose End

To order:

Select flow desired, then add suffix to model number.






Ex.: B-0198-**F03** for 0.25 GPM

B-GH Garden Hose Outlet






- 3/8" NPSM male x 3/4" male garden hose thread adapter






Manual Faucets

			
Manual Faucets with ETERNA	Cartridge	Quarter-Turn Cartridge	Cartridge with Lever Handle, Index and Screw
ETERNA Hot	005960-40	005960-40QT	002714-40
ETERNA Cold	005959-40	005959-40QT	002713-40
ETERNA with Teflon Seat Washer, Hot (use with Wrist-Action)	006010-40	006010-40QT	-
ETERNA with Teflon Seat Washer, Cold (use with Wrist-Action)	006009-40	006009-40QT	-
Manual Faucets with CERAMA		Quarter-Turn Cartridge	Quarter-Turn Cartridge with Lever Handle, Index and Screw
			
CERAMA Quarter-Turn, Hot	-	011278-25	012444-25
CERAMA Quarter-Turn, Cold	-	011279-25	012445-25

Pre-Rinse Units and Faucets with garden hose threads, faucets with spray valves, or with any faucet where the outlet flow can be shut off

			
Pre-Rinse Units with ETERNA	Cartridge	Quarter-Turn Cartridge with Integral Spring Check	Quarter-Turn Cartridge with Integral Spring Check, Lever Handle, Index and Screw
ETERNA with Integral Spring Check, Quarter-Turn, Hot	-	012443-40	002712-40
ETERNA with Integral Spring Check, Quarter-Turn, Cold	-	012442-40	002711-40
Pre-Rinse Units with CERAMA		Quarter-Turn Cartridge with Check Valve	Quarter-Turn Cartridge with Check Valve, Lever Handle, Index and Screw
			
CERAMA with Check Valve, Quarter-Turn, Hot	-	012394-25	012446-25
CERAMA with Check Valve, Quarter-Turn, Cold	-	012395-25	012447-25




B-1100 Series Deck-Mount Faucets

			
B-1100 SERIES Faucets, Deck-Mount	Spindle Assembly	Quarter-Turn Spindle	Spindle with Lever Handle, Index and Screw
Spindle Assembly, Hot	009753-25	009753-25QT	002710-40
Spindle Assembly, Cold	009754-25	009754-25QT	002709-40
Spindle Assembly with Teflon Seat Washer, Hot (use with Wrist-Action)	009423-40	009423-40QT	-
Spindle Assembly with Teflon Seat Washer, Cold (use with Wrist-Action)	009424-40	009424-40QT	-




B-1100 Series Wall-Mount Faucets

B-1100 SERIES Faucets, Wall-Mount	Spindle Assembly	Quarter-Turn Spindle	Spindle with Lever Handle, Index and Screw
Spindle Assembly, Hot	009754-25	009754-25QT	009286-40
Spindle Assembly, Cold	009753-25	009753-25QT	009287-40

EasyInstall Concealed Widespread Faucets

		
EASYINSTALL Concealed Widespread Faucets	Cartridge	Cartridge with Quarter-Turn
ETERNA with EasyInstall Bonnet and Teflon Seat Washer, Hot	016753-40	016926-40
ETERNA with EasyInstall Bonnet and Teflon Seat Washer, Cold	016752-40	016925-40
		
CERAMA with EasyInstall Bonnet, Quarter-Turn, Hot	-	016767-25
CERAMA with EasyInstall Bonnet, Quarter-Turn, Cold	-	016768-25

Concealed Widespread Faucets (Non-EasyInstall)

			
Concealed Widespread Faucets	Cartridge	Cartridge with Quarter-Turn	Cartridge with Check Valve, Lever Handle and Screw
ETERNA with Escutcheon Bonnet and Teflon Seat Washer, Hot	006478-40	-	-
ETERNA with Escutcheon Bonnet and Teflon Seat Washer, Cold	006477-40	-	-
			
CERAMA with Escutcheon Bonnet, Quarter-Turn, Hot	-	011616-25	011618-25
CERAMA with Escutcheon Bonnet, Quarter-Turn, Cold	-	011617-25	011619-25

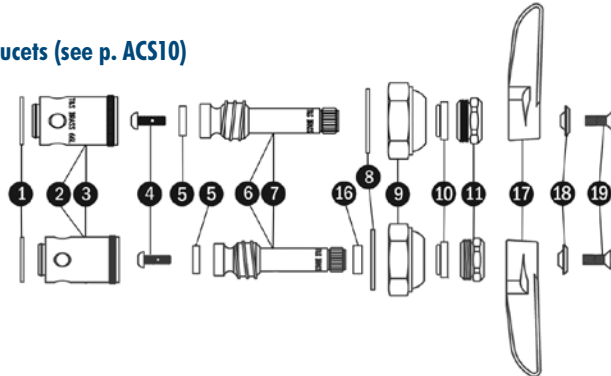
Eterna Cartridges (see Parts Chart, p. ACS13)

Our longstanding **Eterna Cartridges** are the standard on many T&S pre-rinse units, faucets and fittings. Our **Quarter-Turn Eterna spindle assemblies** are designed for water conservation and are included in many new T&S foodservice and plumbing models. Look for the “-QT” suffix on our model numbers.

Eterna – Manual Faucets (see p. ACS10)

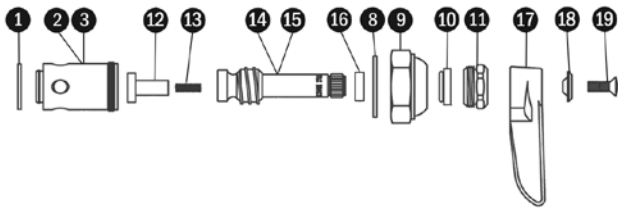
Eterna Cartridge

Quarter-Turn Eterna Cartridge



Eterna – Pre-Rinse Units and Faucets where the outlet flow can be shut off (see p. ACS10)

Quarter-Turn Eterna Cartridges with Integral Spring Check



Eterna – Manual Faucets:

With Lever Handle, Index and Screw

Eterna	Hot	002714-40
	Cold	002713-40

No Handle

Eterna	Hot	005960-40
	Cold	005959-40

Teflon Seat Washer (for Wrist-Action Handle)

Eterna	Hot	006010-40
	Cold	006009-40

Quarter-Turn Cartridge

Eterna	Hot	005960-40QT
	Cold	005959-40QT

Quarter-Turn Cartridge with Teflon Seat Washer (for Wrist-Action Handle)

Eterna	Hot	006010-40QT
	Cold	006009-40QT

Eterna – Pre-Rinse Units with Quarter-Turn:

With Lever Handle, Index and Screw

Eterna	Hot	002712-40
	Cold	002711-40

No Handle

Eterna	Hot	012443-40
	Cold	012442-40

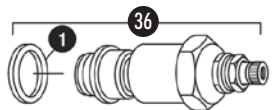
(Eterna Cartridges, cont. on opposite page) ▶

Cerama Cartridges (see Parts Charts, right)

Our **Cerama Cartridges** are designed for water conservation and are included in many new T&S foodservice and plumbing models. They are backed by a lifetime guarantee. Look for the “-CR” suffix on our model numbers. The **T&S Cerama Cartridge** is the only ceramic cartridge (U.S. Patent #5,996,614) that comes with an optional integral check valve that is critical for stopping cross flow in applications. All T&S Cerama cartridges are quarter-turn cartridges.

Cerama – Manual Faucets (see p. ACS11)

Cerama Cartridge with Escutcheon Bonnet for Concealed Widespread Faucets



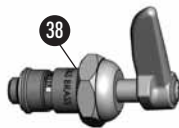
Cerama Cartridge with Escutcheon Bonnet (Non-EasyInstall)

Easy Install



Cerama Cartridge with Escutcheon Bonnet (EasyInstall)

Cerama Cartridge with or without Bonnet



Cerama Cartridge with Bonnet, Lever Handle, Index and Screw



Cerama Cartridge without Bonnet

Cerama – Concealed Widespread Faucets:

Cerama Cartridge, Quarter-Turn with Escutcheon Bonnet – No Handle (Non-EasyInstall)

36	Hot	011616-25
	Cold	011617-25

Cerama Cartridge with Check Valve Escutcheon Bonnet, Lever Handle, Index and Screw (Non-EasyInstall)

36	Hot	011618-25
	Cold	011619-25

Cerama Cartridge with EasyInstall Bonnet Assembly – No Handle (EasyInstall)

42	Hot	016767-25
	Cold	016768-25

Cerama – Manual Faucets:

Cerama Cartridge with Bonnet – No Handle

37	Hot	011278-25
	Cold	011279-25

Cerama Cartridge with Bonnet, Lever Handle, Index and Screw

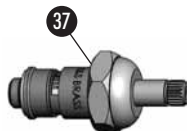
38	Hot	012444-25
	Cold	012445-25

Cerama Cartridge without Bonnet

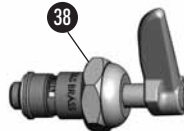
39	Hot	011276-45
	Cold	011277-45
	Hot with Check Valve	011311-25
	Cold with Check Valve	011312-25

Cerama – Pre-Rinse Units and Faucets where the outlet flow can be shut off (see p. ACS10)

Cerama Cartridge with Integral Check Valve and Bonnet



Cerama Cartridge with Integral Check Valve and Bonnet, Lever Handle, Index and Screw



Cerama – Pre-Rinse Units with Quarter-Turn:

Cerama Cartridge with Integral Check Valve and Bonnet

37	Hot with Check Valve	012394-25
	Cold with Check Valve	012395-25

Cerama Cartridge with Integral Check Valve and Bonnet, Lever Handle, Index and Screw

38	Hot with Check Valve	012446-25
	Cold with Check Valve	012447-25

Parts Chart

For Eterna, B-1100 Series and Big-Flo Spindle Assemblies

Eterna – Concealed Widespread Faucets:

Easy Install

Eterna Cartridge with EasyInstall Bonnet and Teflon Seat Washer (EasyInstall)

Eterna	Hot	016753-40
	Cold	016752-40



Easy Install

Eterna Cartridge, Quarter-Turn with EasyInstall Bonnet and Teflon Seat Washer (EasyInstall)

Eterna	Hot	016926-40
	Cold	016925-40



Eterna Cartridge with Escutcheon Bonnet and Teflon Seat Washer (Non-EasyInstall)

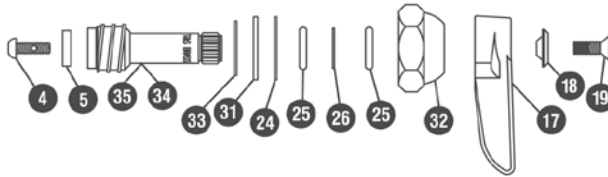
Eterna	Hot	006478-40
	Cold	006477-40



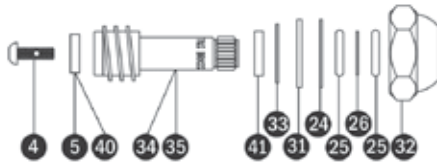
1	001022-45	Bottom Gasket	19	000922-45	Lever Handle Screw
2	000788-20	Removable Insert (Hot) 64L	20	002721-45	'O'-Ring
3	000789-20	Removable Insert (Cold) 66L	21	000685-20	Removable Insert
4	000933-45	Seat Screw	22	000976-45	Brass Washer
5	001092-45	Seat Washer	23	001042-45	Rubber Washer
6	000811-25	Spindle (Hot) 18L	24	002726-45	Stainless Steel Washer
7	000812-25	Spindle (Cold) 67L	25	001075-45	'O'-Ring
8	002601-45	Top Gasket	26	009752-45	Washer
9	009744-45	Bonnet, Eterna	27	009750-25	Bonnet
10	001098-45	Bonnet Seal Packing	28	000933-45	Seat Screw
11	000718-25	Packing Nut	29	001088-45	Seat Washer
12	003164-45	Spring Check Seat	30	000794-25	Spindle (Hot and Cold)
13	001479-45	Spring	31	001047-45	Rubber Washer
14	001907-25	Spindle (Hot) 264L	32	009749-25	Bonnet (B-1100)
15	001908-25	Spindle (Cold) 263L	33	000986-45	Brass Washer
16	001466-20	Quarter-Turn Sleeve, Eterna	34	000801-25	Spindle (Cold)
17	001638-45	Lever Handle, Blank	35	000800-25	Spindle (Hot)
	001637-45	Lever Handle, Hot	40	001136-45	Teflon Seat Washer
	001636-45	Lever Handle, Cold	41	018163-20	Quarter-Turn Sleeve (B-1100)
18	001661-45	Index, Red, Hot			
	001660-45	Index, Blue, Cold			

B-1100 Series Cartridges (see p. ACS11), Big-Flo Cartridge Assemblies and Push Button and Wrist-Action Metering Cartridges

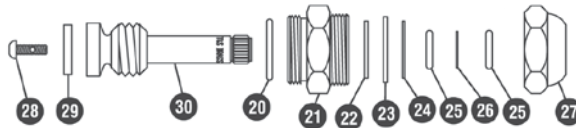
B-1100 Series Deck-Mount Faucets and B-1100 Series Wall-Mount Faucets



B-1100 Quarter-Turn Assembly

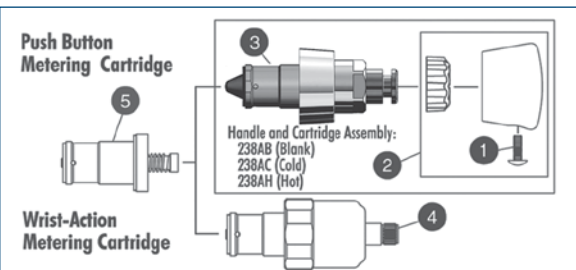


Big-Flo Assembly



238A Push Button and Wrist-Action Metering Cartridges

See p. G7, Parts Kits section for metering cartridge repair kit (B-238RK)



1	014145-45	Screw
2	014193-40	Push Button Handle, Screw and Insulator (Blank)
	014194-40	Push Button Handle, Screw and Insulator (Hot)
	014195-40	Push Button Handle, Screw and Insulator (Cold)
3	238A	Push Button Metering Cartridge
4	012449-40	Wrist-Action Metering Cartridge
5	014152-40	Common Metering Barrel Assembly

B-1100 Series Faucets / Deck-Mount:

B-1100 Spindle Assembly – No Handle

Hot (RTC)	009753-25
Cold (LTC)	009754-25

B-1100 Spindle Assembly, Quarter-Turn – No Handle

Hot (RTC)	009753-25QT
Cold (LTC)	009754-25QT

B-1100 Spindle Assembly with Lever Handle, Index and Screw

Hot (RTC)	002710-40
Cold (LTC)	002709-40

B-1100 Spindle Assembly with Teflon Seat Washer (for Wrist-Action Handle)

Hot, No Handle (RTC)	009423-40
Cold, No Handle (LTC)	009424-40

B-1100 Spindle Assembly, Quarter-Turn with Teflon Seat Washer (for Wrist-Action Handle)

Hot, No Handle (RTC)	009423-40QT
Cold, No Handle (LTC)	009424-40QT

B-1100 Series Faucets / Wall-Mount:

B-1100 Spindle Assembly – No Handle

Hot (LTC)	009754-25
Cold (RTC)	009753-25

B-1100 Spindle Assembly, Quarter-Turn – No Handle

Hot (LTC)	009754-25QT
Cold (RTC)	009753-25QT

B-1100 Spindle Assembly with Lever Handle, Index and Screw

Hot (LTC)	009286-40
Cold (RTC)	009287-40

Big-Flo Faucets:

Cartridges

Cold or Hot Side for use with 4-Arm Handle (LTC)	006482-40
Cold Side for use with Lever Handle (RTC)	006481-40

Handles

Antimicrobial Handles Available

B-WH4 Wrist-Action Handle

- Chrome plated metal wrist-action handle, 4" (102 mm) long
- Cold index: 001686-45
- Hot index: 001194-45
- Screw only: 000925-45
- Available with anti-microbial coating (-AM models)



Model	Description
B-WH4	4" (102 mm) Wrist-action handle only
B-WH4H	4" Wrist-action handle, hot index button and screw
B-WH4C	4" Wrist-action handle, cold index button and screw
B-WH6	6" (152 mm) Wrist-action handle only
B-WH6H	6" Wrist-action handle, hot index button and screw
B-WH6C	6" Wrist-action handle, cold index button and screw
B-WH4H-AM	4" Wrist-action handle with red (hot) index and screw with anti-microbial coating
B-WH4C-AM	4" Wrist-action handle with blue (cold) index and screw with anti-microbial coating
B-WH4-AM	4" Wrist-action handle with blank index and screw with anti-microbial coating

Pivot Action Metering Handle

- Chrome plated metal handle for pivot action metering faucets
- Available with antimicrobial coating (-AM models)



Model	Description
PA-H	Hot pivot action handle with retaining nut and spanner bit
PA-C	Cold pivot action handle with retaining nut and spanner bit
PA-B	Blank pivot action handle with retaining nut and spanner bit
PA-B-AM	Blank pivot action handle with retaining nut and spanner bit with anti-microbial coating

Club Handle

- Chrome plated metal decorative handle



Model	Description
017229-45	Club handle only
009332-41	Club handle with hot index and screw
009331-41	Club handle with cold index and screw
017181-41	Club handle with blank index and screw
000922-45	Handle screw only

002521-45 Four-Arm Handle

- Chrome plated metal four-arm handle
- Available with antimicrobial coating (-AM models)
- Order index for hot or cold separately
 - Cold handle index (blue): 001660-45
 - Hot handle index (red): 001661-45
- Handle screw only (000922-45)



Model	Description
175FC	Four-arm handle with cold index and screw
175FH	Four-arm handle with hot index and screw
002521-45	Four-arm handle only
002521-45AM	Four-arm handle with anti-microbial coating
002521-45K	Four-arm handle kit (handle, indexes and screw)
002521-45K-VR	Four-arm handle kit (handle, indexes and screw), vandal-resistant

Push Button Handle

- Chrome plated metal handle for push button metering faucets
- Available with anti-microbial coating (-AM model)



Model	Description
014194-40	Hot, with vandal resistant screw and spanner bit
014195-40	Cold, with vandal resistant screw and spanner bit
014193-40	Blank, with vandal resistant screw and spanner bit
014193-40AM	Blank, with vandal resistant screw and spanner bit with anti-microbial coating

3-Wing Dome Handle

- Polished chrome plated metal handle
- Conceals stem and bonnet
- Fits most T&S faucets



Model	Description
180F	Cold 3-wing dome handle with index and screw
181F	Hot 3-wing dome handle with index and screw
001783-40	Hot 3-wing dome handle only
001784-40	Cold 3-wing dome handle only
000925-45	Handle screw only

Handles

Antimicrobial
Handles Available

Alpine Handle

- Clear Lexan handle
- Fits most T&S faucets
- Order chrome plated index buttons separately (see chart, right)



Chrome Index only:
001327-40 Cold
001328-40 Hot
001326-40 Blank

Model	Description
076F	Alpine handle only
076F-C	Alpine handle with cold chrome plated index and screw
076F-H	Alpine handle with hot chrome plated index and screw
000925-45	Handle screw only

Lever Handle

- Chrome plated metal handle
- Fits most T&S faucets
- Available with antimicrobial coating (see -AM models)



Model	Description
001636-45	Lever handle with blue (cold) index and screw
001637-45	Lever handle with red (hot) index and screw
001638-45	Lever handle with no Index
010027-40	Chrome plated solid brass lever handle
001636-45AM	Lever handle with blue (cold) index and screw, with anti-microbial coating
001637-45AM	Lever handle with red (hot) index and screw, with anti-microbial coating
001638-45AM	Lever handle only with anti-microbial coating

ACS15

Accessories

Vandal-Resistant Keys

B-0199-VR-KEY Pro Key

- Pro key for vandal-resistant aerators
- Two-sided for female or male VR aerators



015425-45 Vandal-Resistant Key

- Dual vandal-resistant aerator key for removing VR aerators



Soap Dishes

B-SD Soap Dish

- Chrome plated
- Must be used with soap dish nozzle or B-SDA soap dish assembly



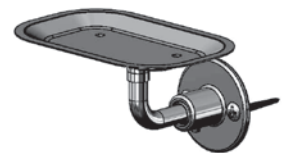
B-SDA Soap Dish Assembly

- Chrome plated
- Clamps onto 3/8" NPT goosenecks or risers



B-SDA-WM Soap Dish Assembly

- Chrome plated
- Wall-mount soap dish includes two mounting screws



EasyInstall Accessory Tees **EasyInstall**

Do you need an additional water source from your T&S EasyInstall pre-rinse unit or mixing faucet? Finding it hard to install? The T&S solution – a **B-TEE-RGD**, designed for use with T&S pre-rinses, or a **B-TEE-EZK**, designed for use with T&S mixing faucets.

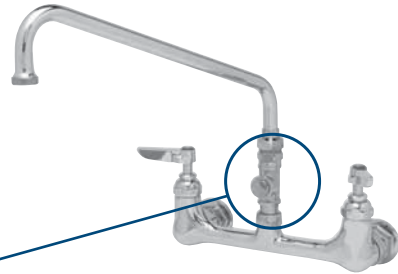
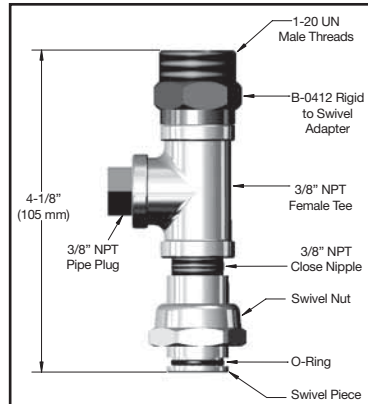
Tee Application

Tees on pre-rinse units and mixing faucets are used to supply water to accessory applications such as chemical injectors (for cleaning jobs, etc.) They are not intended to introduce chemicals into the T&S pre-rinse unit or mixing faucet. A backflow prevention device should be installed if it is not included with the accessory device.

B-TEE-EZK Swivel Tee Assembly

EasyInstall

- EasyInstall swivel tee assembly
- Designed for use with T&S mixing faucets with swivel outlets
- Chrome plated

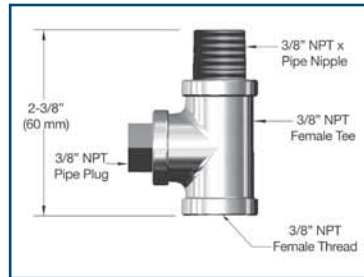


B-0230-TZ-CR-SC with B-TEE-EZK Swivel Tee Assembly

B-TEE-RGD Rigid Tee Assembly

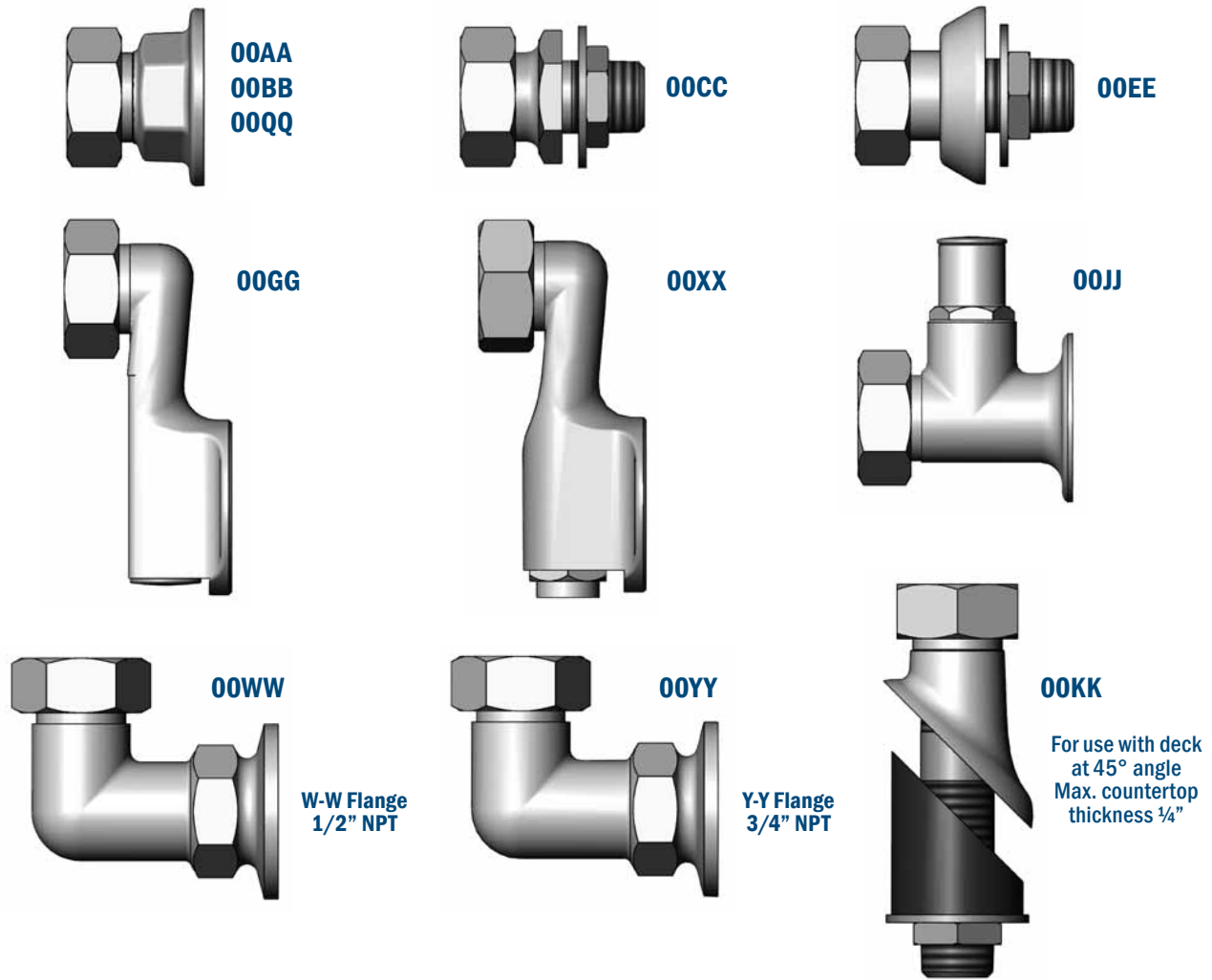
EasyInstall

- EasyInstall rigid tee assembly
- Designed for use with T&S pre-rinses
- Chrome plated



B-0113-BJ-SWV-T with B-TEE-RGD Rigid Tee Assembly

Union Coupling Inlets



Union Coupling Inlets

The following inlets are polished chrome plated and used on mixing faucets to meet varying conditions of installation. All are interchangeable and are used in lieu of the "00AA" inlets which are ordinarily furnished on faucets using union coupling inlets.

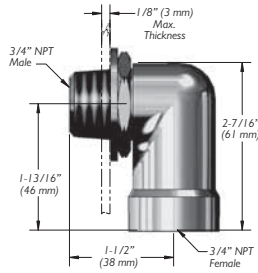
Inlets with an asterisk (*) are available in rough chrome by adding -RGH suffix (ex. 00JJ-RGH).

To order, add suffix letter to faucet model number.
For example: "B-0230-CC" Sink mixing faucet with 1/2" NPT male inlet, 1" (25 mm) long.

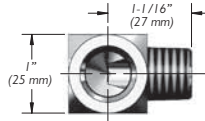
- 00AA** 1/2" NPT female eccentric flanged inlet
- 00BB** 3/4" NPT female eccentric flanged inlet
- 00CC** 1/2" NPT male inlet, 1" (25 mm) long
- 00EE** 1/2" NPT male inlet with adjustable flange, 1" (25 mm) long
- 00GG*** 1/2" NPT female flanged adjustable arm inlet
- 00XX*** 1/2" NPT female flanged adjustable arm inlet with screwdriver stop
- 00JJ*** 1/2" NPT female inlet with loose key stop
- 00WW** 1/2" NPT female flange 90° inlet
- 00YY** 3/4" NPT female flange 90° inlet
- 00KK** 1/2" NPT male inlet for use on 45° decks. Inlet is at 45° angle to mounting face
- 00QQ** 3/8" NPT female eccentric flanged inlet

Elbow and Tees

00LL

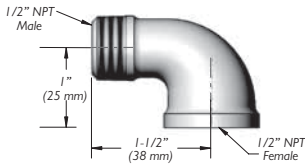


148X

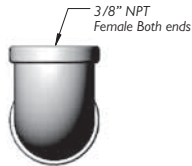


Elbows	
Model No.	Description
148X	3/8" Street Elbow
001355-40	3/8" Cast Elbow
006895-20	1/2" Short Elbow, plain brass
150X	1/2" Street Elbow
001357-40	1/2" Cast Elbow
00LL	3/4" Short Elbow, plain brass
001720-40	3/4" Cast Elbow

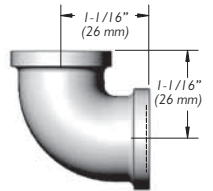
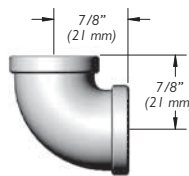
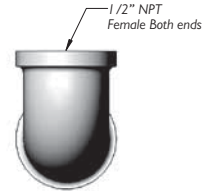
150X



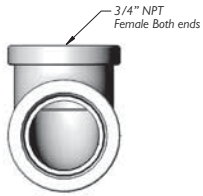
001355-40



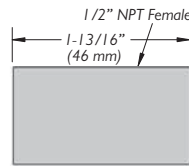
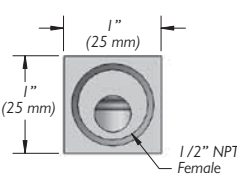
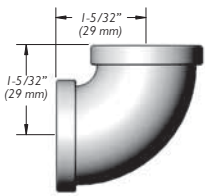
001357-40



001720-40



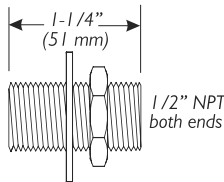
006895-20



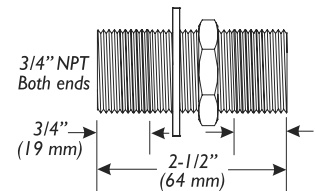
Supply Nipple Kits Includes Lock Nut and Washer

B-0423
1/2" Supply Nipple

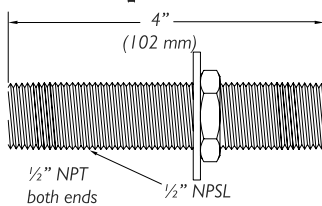
- 1/2" NPT x 1-1/4" long



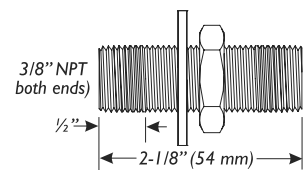
B-0427
3/4" Supply Nipple



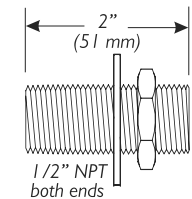
B-0424
1/2" Supply Nipple



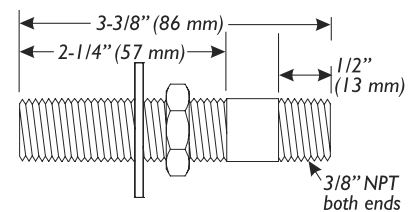
B-0428
3/8" Supply Nipple



B-0425
1/2" Supply Nipple

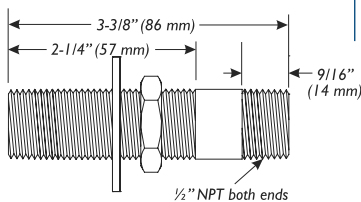


B-0429
3/8" Supply Nipple



B-0425-M Master Box (2)

B-0426
1/2" Supply Nipple



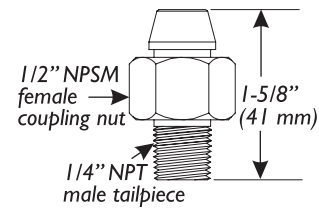
Adapters, Inlet and Supply Connectors

ACS20
Accessories

Adapter Chart

Dimensions				Model
3/8 NPSM	male	x 3/4-11 1/2 G.H.	male	B-GH
1/2 NPT	male	x 3/8 NPT	female (Face bushing)	002337-45
1/2 NPT	male	x 3/8 NPT	female (Hex bushing)	001359-40
3/4-14	male	x 1/4 NPT	male (Fisher adapter)	002584-25 (172A)
3/4-14	male	x 1/4 NPT	female	000544-25 (52A)
3/4-14	male	x 3/8 NPT	male (Chicago adapter)	000545-25 (53A)
3/4-14	male	x 3/8 NPE	female (Hex stock)	000546-25 (54A)
3/4 G.H.	female	x 1/2 NPT	male	003105-40
3/4-14	male	x 5/8-27	female	000552-25
3/4-14	male	x 3/4 NPT	male	000549-25 (57A)
3/4-14	male	x 3/4 NPT	female	000550-25 (58A)
3/4-14	male	x 3/4-14	male	001806-25 (98A)
55/64-27	male	x 1/8 NPT	female	001624-25
55/64-27	male	x 5/8-27	female	000554-25
55/64-27	female	x 3/4-11 1/2 G.H.	male	B-GFE

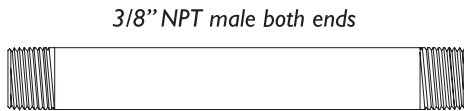
150A Union Coupling Tailpiece



- 1/4" NPT tailpiece with nut fits 1/2" NPT and NPS faucet shanks with 30" tapered inlet

Risers and Connectors

3/8" Riser Lengths



3/8" NPT male both ends

Model No.	Length	Model No.	Length
000357-40	2" (51 mm)	000369-40	18" (457 mm)
000358-40	3" (76 mm)	000372-40	24" (610 mm)
000361-40	5" (127 mm)	000376-40	32" (813 mm)
000363-40	7" (178 mm)	Contact factory for sizes not shown.	

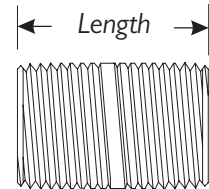
Couplings

- Used to connect two (2) pipes
- Same thread size on both ends
- Chrome plated brass



Model No.	Dimension	Length
001769-40	3/8" NPT	1-1/8" (29 mm)
001684-25	1/2" NPT	1-5/16" (33 mm)
004710-25	3/4" NPT	1-7/16" (37 mm)

Close Nipples



- Same male thread size on both ends
- Close nipple will be completely concealed

Model No.	Dimension	Length
002535-25	3/8" NPT	1" (25 mm)
002534-25	1/2" NPT	1-1/8" (29 mm)
004741-25	3/4" NPT	1-3/8" (35 mm)

B-CVV1-2 Check Valve

- Rough brass finish
- Designed for water use only



B-CVH1-2 for horizontal or vertical use, 1/2" NPT female
B-CVH3-4 for horizontal or vertical use, 3/4" NPT female
B-CVH3-8 for horizontal or vertical use, 3/8" NPT female

Conversion Adapters

B-0412 Adapter

- Rigid to swivel adapter
- Use for field conversion where a faucet with 3/8" NPT outlet is installed and a swivel gooseneck or nozzle is required



B-0412-M Master Box (2)

B-0413 Adapter

- Swivel to rigid adapter
- Used for field conversion where a faucet with swivel outlet is installed and a 3/8" rigid gooseneck is required



B-0413-M Master Box (2)
B-0413-M50 Master Box (50)

B-0414 Adapter

- Gooseneck coupling
- Converts 3/8" rigid gooseneck to swivel on a 3/8" NPT female outlet faucet



B-0414-M Master Box (2)

EZ-SWIVEL-CZ Swivel Adapter

- Swivel adapter for Chicago and Zurn faucets



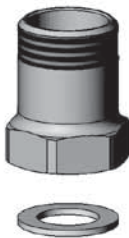
EZ-SWIVEL-FM Swivel Adapter

- Swivel adapter for Fisher faucets



B-0411-FXX Swivel to Swivel Adapter

- Swivel to swivel adapter with flow control tower
- Includes washer
- Refer to Flow Tower Chart below to specify flow desired and add numbers to model suffix
- Use for field conversion where a faucet with a standard swivel outlet requires a swivel flow control outlet
- For use on lavatory faucets to conserve water



B-0411-FXX Flow Tower Chart

Model No.	Flow (GPM)	Laser Marking	Previous Color
B-0411-F03	0.25	025	No Dot
B-0411-F05	0.40	040	Brown
B-0411-F07	0.70	070	Green
B-0411-F10	0.90	090	Gray
B-0411-F12	1.20	120	Orange
B-0411-F15	1.40	140	Purple
B-0411-F16	1.60	160	Red
B-0411-F20	2.00	200	Yellow

B-0412-FXX Low Flow Adapter

- Rigid to swivel adapter with flow control tower
- Refer to Flow Tower Chart below to specify flow desired and add numbers to model suffix
- Use for field conversion where a faucet with 3/8" NPT outlet is installed and a swivel gooseneck or nozzle is required
- For use on lavatory faucets to conserve water



B-0412-FXX Flow Tower Chart

Model No.	Flow (GPM)	Laser Marking	Previous Color
B-0412-F05	0.40	040	Brown
B-0412-F12	1.20	120	Orange
B-0412-F15	1.40	140	Purple
B-0412-F20	2.00	200	Yellow

Inlet Adapters

B-0466 Wall Mount Faucet Adapter For T&S Faucet To Chicago/Zurn Inlets

- Parts included:
(2) Faucet adapters, includes (1) santoprene seal and (1) nitrile or EPDM seal per assembly
- 1-3/8" (35 mm) swivel hex nut with internal threads to fit T&S body
- Threads fit Chicago and Zurn inlet flanges



B-0467 Wall Mount Faucet Adapter For T&S Faucet To Fisher Inlets

- Parts included:
(2) Faucet adapters, includes (2) santoprene seals per assembly (one each end)
- 1-3/8" (35 mm) swivel hex nut with internal threads to fit T&S body
- Threads fit Fisher inlet flanges



Replacement Hoses

ACS22

Accessories

Stainless steel, PVC and vinyl replacement hoses. Three-year warranty on all -H (stainless steel) hoses.

B-0044-H Flexible Stainless Steel Hose

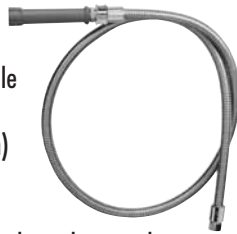
- Flexible stainless steel hose and grip handle
- Overall length = 44" (1118 mm)
- Polyurethane inner tubing
- Supplied on most pre-rinse units with spring action gooseneck
- 5/16" hose I.D.



B-0044-H-SWV Flexible Stainless Steel Hose with Pre-Rinse Swivel

NEW MODEL!

- Includes (018200-40) pre-rinse swivel for 360° rotation and grip handle
- Flexible stainless steel hose
- Overall length = 44-15/16" (1141 mm)
- Polyurethane inner tubing
- 5/16" hose I.D.



Note: See p. A6-A8 for more information about the swivel

B-0044-R PVC Hose

- PVC hose with grip handle
- Overall length = 44" (1118 mm)
- FDA approved
- Extremely durable
- Limited 2 year warranty
- 3/8" hose I.D.



B-0044-V9 Pre-Rinse Hose with Backflow Preventer

- Flexible stainless steel hose and grip handle
- Overall length = 44" (1118 mm)
- Backflow preventer (B-0970-FE) for continuous pressure use
- 5/16" hose I.D.



013E-36H Flexible Stainless Steel Hose

- Flexible stainless steel hose
- Overall length = 36" (914 mm)
- 1/4" hose I.D.



013E- Hose Models (-H, -R and -V)

For 013E- HOSES/Suffix: H = 1/4" I.D. R = 3/8" I.D. V = 5/16" I.D.

013E-36H 36" Flex. stainless steel hose	013E-60H 60" Flexible stainless steel hose
013E-36R 36" Reinforced PVC hose	013E-60V 60" Vinyl hose
013E-48H 48" Flex. stainless steel hose	013E-72H 72" Flexible stainless steel hose
	013E-84H 84" Flexible stainless steel hose

Flexible Stainless Steel, PVC and Vinyl Hoses

For B- HOSES/Suffix: R = 3/8" I.D. H = 5/16" I.D. V = 5/16" I.D.

- B-0015-H 15" flexible stainless steel hose
- B-0018-H 18" flexible stainless steel hose
- B-0018-R 18" reinforced PVC hose
- B-0020-H 20" flexible stainless steel hose
- B-0020-H2A 20" flexible stainless steel hose less grip handle
- B-0020-HM 20" flexible stainless steel hose Master Box (10)
- B-0020-R 20" reinforced PVC hose
- B-0023-H 23" flexible stainless steel hose
- B-0024-H 24" flexible stainless steel hose
- B-0024-H2A 24" flexible stainless steel hose less grip handle
- B-0026-H 26" flexible stainless steel hose
- B-0026-H2A 26" flexible stainless steel hose less grip handle
- B-0026-HM 26" flexible stainless steel hose Master Box (10)
- B-0028-H 28" flexible stainless steel hose
- B-0028-H2A 28" flexible stainless steel hose less grip handle
- B-0032-H 32" flexible stainless steel hose
- B-0032-H2A 32" flexible stainless steel hose less grip handle
- B-0036-H 36" flexible stainless steel hose
- NEW!** B-0036-H-SWV 36" flexible stainless steel hose and pre-rinse swivel
- B-0040-H2A 40" flexible stainless steel hose, less grip handle
- B-0042-H2A 42" flexible stainless steel hose less grip handle
- NEW!** B-0044-H 44" flexible stainless steel hose
- NEW!** B-0044-H-SWV 44" flexible stainless steel hose and pre-rinse swivel
- B-0044-H2A 44" flexible stainless steel hose less grip handle
- NEW!** B-0044-H2A-SWV 44" flexible stainless steel hose less grip handle with pre-rinse swivel
- B-0044-H2AML 44" flexible stainless steel hose Master Box (25) less grip handle
- B-0044-H2AMS 44" flexible stainless steel hose Master Box (10) less grip handle
- B-0044-HF 44" flexible stainless steel hose with 1/4" NPT male Fisher adapter
- B-0044-HML 44" flexible stainless steel hose Master Box (25)
- B-0044-HMS 44" flexible stainless steel hose Master Box (10)
- B-0044-R 44" reinforced PVC hose
- B-0044-R2A 44" reinforced PVC hose less grip handle
- B-0044-RML 44" reinforced PVC hose Master Box (25)
- B-0044-RMS 44" reinforced PVC hose Master Box (10)
- B-0044-RV9 44" reinforced PVC hose with B-9670-FE Vacuum breaker
- B-0044-V 44" vinyl hose
- B-0044-V9 44" flexible stainless steel hose with vacuum breaker
- B-0048-H 48" flexible stainless steel hose
- B-0050-H 50" flexible stainless steel hose
- B-0050-H2A 50" flexible stainless steel hose less grip handle
- B-0054-H 54" flexible stainless steel hose
- B-0054-H2A 54" flexible stainless steel hose less grip handle
- B-0054-V 54" vinyl hose
- B-0056-H 56" flexible stainless steel hose
- B-0056-H2A 56" flexible stainless steel hose less grip handle
- B-0056-HMS 56" flexible stainless steel hose Master Box (10)
- B-0060-H 60" flexible stainless steel hose
- B-0066-H2A 66" flexible stainless steel hose less grip handle
- B-0068-H 68" flexible stainless steel hose
- NEW!** B-0068-H-SWV 68" flexible stainless steel hose and pre-rinse swivel
- B-0068-H2A 68" flexible stainless steel hose less grip handle
- B-0068-HML 68" flexible stainless steel hose Master Box (25)
- B-0068-HMS 68" flexible stainless steel hose Master Box (10)
- B-0068-R 68" reinforced PVC hose
- B-0072-H 72" flexible stainless steel hose
- B-0080-H 80" flexible stainless steel hose
- B-0084-H 84" flexible stainless steel hose
- B-0084-V 84" vinyl hose
- B-0096-H 96" flexible stainless steel hose
- B-0104-H 104" flexible stainless steel hose
- B-0108-HOSE 108" flexible stainless steel hose
- B-0144-H 144" flexible stainless steel hose

Definitions and Use T&S Water Conservation Products



Aerator Outlets

Faucet aerators introduce air into the water stream to produce a larger white stream soft to the touch and non-splashing. (See page 7).



Laminar Flow Outlets

Laminar flow (laminar stream) straighteners produce a non-aerated water stream. Ideal for high flow applications or healthcare facilities (no mix water/air). Laminar spout-end devices deliver a crystal clear and non-splashing stream. (See page 8).



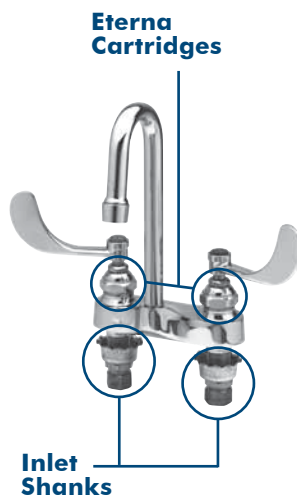
Non-Aerated Spray Outlets

When the flow rate is too low to produce an aerated or laminar stream, a spray device is used to produce a miniature shower pattern to provide full coverage of the hands during washing. Sprays are recommended for use in public lavatories. (See page 8).



Plain End Outlets with Flow Towers

Plain-end nozzles are unthreaded at the outlet area to prevent the usage of aerators or other screw-on devices, so the maximum flow rate permissible by code or job specification must be controlled by other means. T&S Brass recommends that one flow tower (available in various flow rates) be installed in the tempered area of the faucet (after the cartridges, but before the unthreaded outlet area) to achieve maximum customer satisfaction.



Multiple Flow Tower Installation and Its Effect On GPM

In some of our water-saving faucets the flow rate restriction is installed inside the Eterna cartridges or inside the inlet shanks. In order to achieve the maximum flow rate it must be split between the flow towers on both hot and cold sides. In some cases, this type of flow rate division could lead to customer dissatisfaction if both cartridges are *not* opened simultaneously. For the best faucet performance we recommend the user open both hot and cold sides at the same time.

A

Pre-Rinse Units



RELIABILITY BUILT IN™



Pre-Rinse Units – A

**INTRODUCTORY PAGES
NEW FEATURED T&S PRODUCTS**

- EasyInstall Pre-Rinse Units/Features A3
- B-0107-J Spray Valve with 1.07 GPM A4
- T&S Mini Pre-Rinse Units A5
- T&S Swivel for Pre-Rinse Units and Spray Assemblies (018200-40) A6-8

T&S Swivel for PRUs and Spray Assemblies **A6-8; 50**
NEW! T&S Pre-Rinse Swivel (018200-40)

B-0113 Single Hole Deck-Mount Base Faucet Pre-Rinse Units **A9-13**

- B-0113-08 and B-0113-08C Series A9
- B-0113-C, B-0113-BC and B-0107-J A10-11
- B-0113-B Series A12-13

B-0123 8" Deck-Mount Base Faucet Pre-Rinse Units **A14-16**

- B-0123-08 and B-0123-08C Series A14
- B-0123-C, B-0123-BC and B-0107-J A15
- B-0123-B Series A16

T&S Accessory Tee for Faucets and Pre-Rinse Units **A17**
NEW TEES! EasyInstall Accessories

- B-TEE-RGD and B-TEE-EZK

B-0133 8" Wall-Mount Base Faucet Pre-Rinse Units **A18-23**

- B-0133-08 and B-0133-08C Series A18-19
- B-0133-B Series A20-21
- B-0133-C and B-0107-J A22
- B-2278 Series A23

Other T&S Pre-Rinse Units **A24-34**

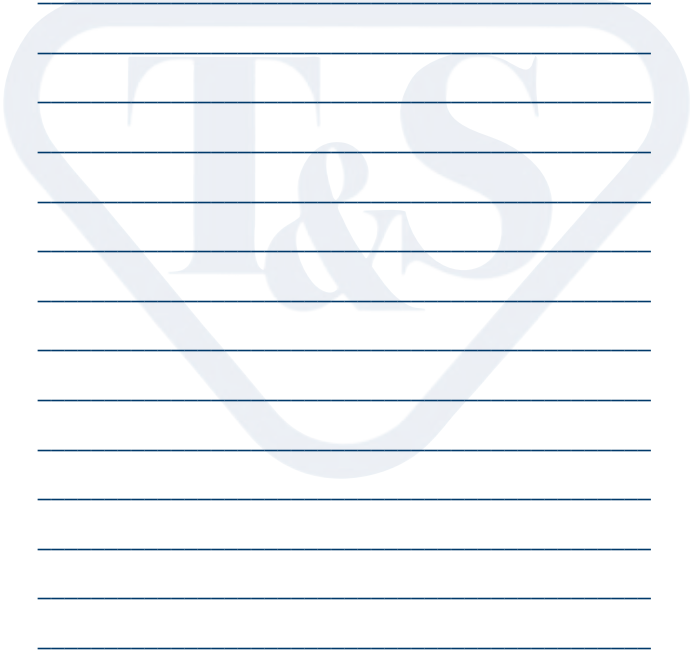
- Overhead Spring Pre-Rinse Units A24-26
- Overhead Swivel Arm Pre-Rinse Units A27-29
- Roto-Flex Design Pre-Rinse Units A30-31
- Overhead Swivel with Balancing Unit A32-33
- Big Flo Pre-Rinse Units A34

Spray Valve, Faucet and Hose Assemblies **A35-42**

- Spray Valve Assemblies A35-37
- Spray Valve Assemblies and Faucets A38-41
- Quick-Connect Spray Assemblies A42

Spray Valves and Pre-Rinse Accessories **A43-50**

- B-0108 Series Ergonomic Spray Valve A43
- Add-On Faucets for Pre-Rinses A44
- Spray Valve Comparison Chart A45
- Standard and Low Flow Spray Valves A46-47
- Water and Energy Conservation Spray Valve Comparison Chart A48
- Pre-Rinse Swivel (018200-40) A49
- Wall Brackets, Outlets, Supply Nipples, Wall Hooks, Vacuum Breakers, Add-On Accessory Tees (Swivel and Rigid) A49-50



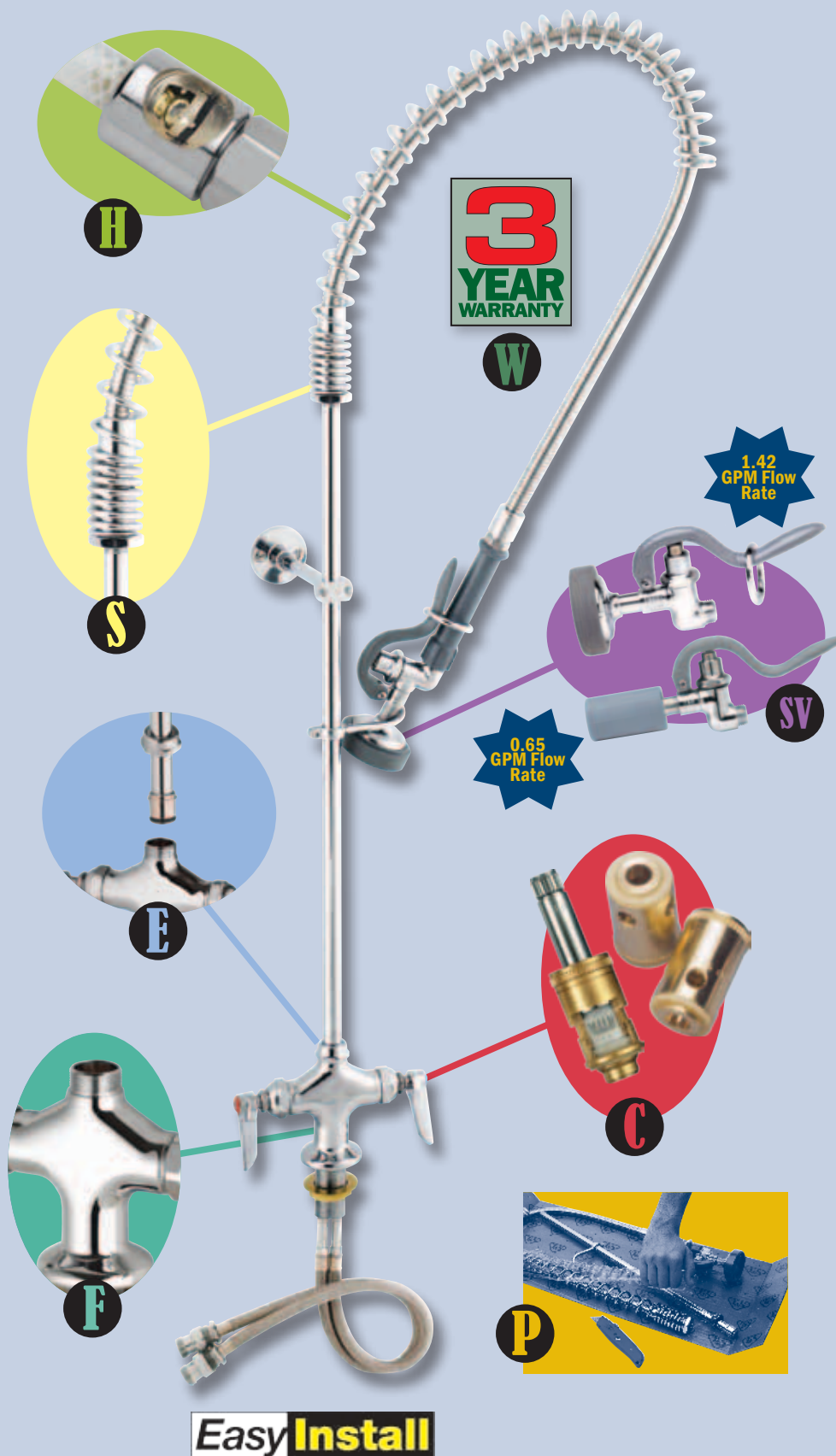
NOTE:

A comprehensive *Index By Model or Part Number and Page* can be found in the **G-11 General Product Catalog Master Index** section (IN).

? Can't find the T&S product you're looking for?
 Please visit www.tsbrass.com for a complete product listing.



The Superior Features of a T&S **EasyInstall** Pre-Rinse Unit



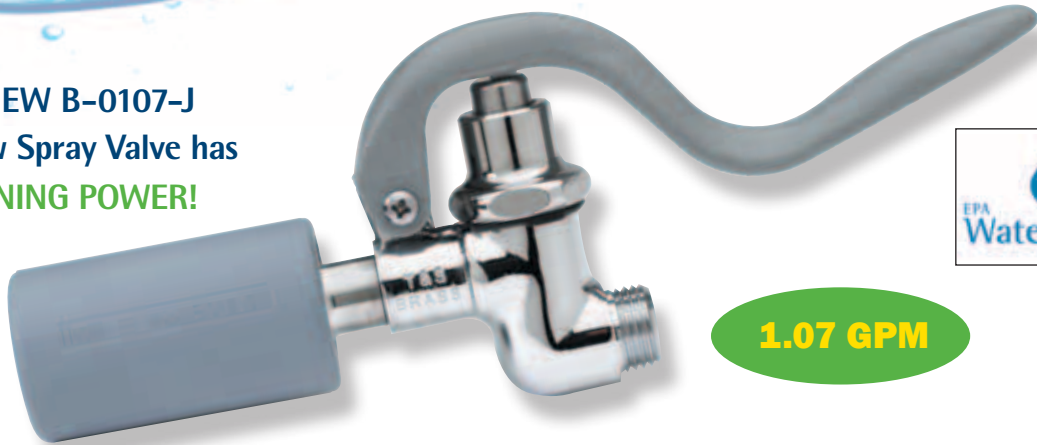
- C** **CARTRIDGES**
 - Interchangeable
 - Self-contained and easily replaced
 - Ceramic or compression
- E** **EASYINSTALL**
 - Patented design
 - Unique “pop-and-lock” riser connection that takes as little as 10 minutes to install
- F** **FAUCETS**
 - Forged one-piece base faucet eliminates leaks
 - Copper layer over casting makes smoother surface
 - Thick chrome plating
- H** **HOSES**
 - Stainless steel hoses with double interlocked covers for long life
 - Sealed ends prevent tears
 - Vinyl nylon reinforced inner hose tested to 1200 PSI
- P** **PACKAGING**
 - Pre-assembled parts are ready for quick installation
 - Fewer parts to misplace
- S** **SPRING**
 - Specially designed spring reinforced at the stress point where hose connects
 - Protects and extends life of hose
- SV** **SPRAY VALVES**
 - Significant water savings with low-flow rates
 - Uncompromising performance
 - Tested to over 1.5 million cycles
- W** **WARRANTY**
 - Long 3-year warranty on your T&S EasyInstall PRU



Helping You Save Money.

A
4

The NEW B-0107-J
Low Flow Spray Valve has
CLEANING POWER!



1.07 GPM

Introducing the NEW B-0107-J with a 1.07 GPM Flow Rate!

We're proud to introduce a new low flow spray valve to the market – the T&S Brass B-0107-J – with a 1.07 GPM @ 60 PSI flow rate. The B-0107-J features significant water- and energy-savings while making pre-rinse tasks easier with its powerful cleaning capability. Tough baked-on foods will come off faster when using the B-0107-J.

B-0107-J Features:

- Its intensified power rinsing quickly gets rid of tough baked-on foods
- Consumes 33% less water than other EPAAct 2005 compliant valves (at 1.6 GPM)
- Is AB1953 & ANSI/NSF Standard 61 compliant
- The same great T&S reliability and performance
- Is interchangeable with Fisher spray valves



Other Water-Saving Spray Valves in the T&S B-0107-C Family



B-0107-C

B-0107-C35



The B-0107-C is endorsed by the Green Restaurant Association (GRA), which recommends environmentally responsible products for the restaurant industry.

Model	Description
B-0107-C	0.65 GPM Ultimate Low-Flow Spray Valve
B-0107-C35	0.65 GPM Ultimate 35° Angled Low-Flow Spray Valve

See pages A47-A48 for more information about these low-flow spray valves



The T&S Pre-Rinse Solution For Limited Kitchen Space

In 1947, we introduced the market's first pre-rinse unit to the foodservice industry. Today, T&S pre-rinse units remain the industry standard.

Leading the way in innovation, we are pleased to introduce our new line of T&S Low Profile Pre-Rinse Units, designed to fit in compact kitchens and in tight spaces.

All T&S Low Profile Pre-Rinse Units include many of the same high-quality components and features you already find with our standard-sized pre-rinses:

- **EasyInstall design** saves significant installation time
- **B-0109-01 6" Wall Bracket** for added stability
- **Add-On Faucet with Swing Nozzle** for pot and kettle filling convenience
- **EPAAct2005 Compliant water-conserving Spray Valves**



Low Profile Pre-Rinse Unit Configurator – Build Your Own Low Profile Pre-Rinse!

- **Wall or deck mount Base Faucet** with your choice of **Ceramic or Compression Cartridges**



- **Compact Spring with Flexible Stainless Steel Hose and Finger Hook**

Customizing Made Easy

Options available for each T&S Low Profile Pre-Rinse Unit allow you to order exactly what you need.

Examples of Available Models

MPY-2DCN-06 – Single deck mount base faucet, add-on faucet, 6" swing nozzle, compact spring and hose, B-0107-C spray valve, 6" wall bracket, club handles

MPZ-2DCN-06 – Single deck mount base faucet, add-on faucet, 6" swing nozzle, compact spring and hose, B-0107 spray valve, 6" wall bracket, club handles

MPZ-2DLN-06 – Single deck mount base faucet, add-on faucet, 6" swing nozzle, compact spring and hose, B-0107 spray valve, 6" wall bracket, lever handles

MPZ-8WCN-06 – 8" Wall mount mixing faucet, add-on faucet, 6" swing nozzle, compact spring and hose, B-0107 spray valve, 6" wall bracket, club handles

MPZ-8WLN-06 – 8" Wall mount mixing faucet, add-on faucet, 6" swing nozzle, compact spring and hose, B-0107 spray valve, 6" wall bracket, lever handles

NEW KITS!

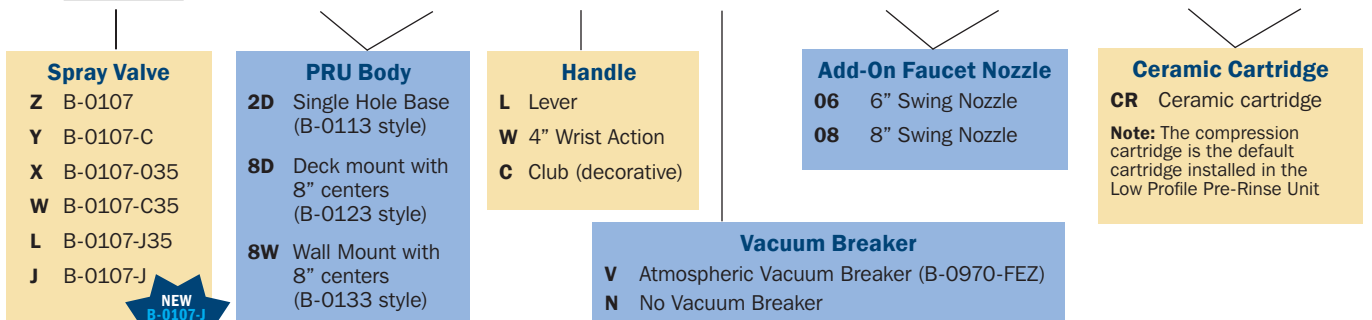
MPZ-KIT-LN06 Retrofit kit with B-0107, Eterna cartridges, add-on faucet with 6" swing nozzle and lever handles

MPZ-KIT-LN06-CR Retrofit kit with B-0107, Cerama cartridges, add-on faucet with 6" swing nozzle and lever handles



**A
5**

MP



"What Could Make Our Customer's Work Easier – and Save Them Money?"

That is the question the T&S foodservice product engineering team considered before it ultimately designed the new **T&S Pre-Rinse Swivel (018200-40)**.

In a busy commercial kitchen, we saw the need for a **simple, ergonomic device, either already installed or easily retrofitted between a spray handle and hose**. The T&S Pre-Rinse Swivel most importantly gives you **full 360° rotation capability** while using your spray assembly or pre-rinse unit spray valve.

The swivel's unimpeded and ultra smooth rotation significantly cuts down on strain and fatigue on the user's wrist and joints, not to mention extends the life of the pre-rinse hose and spray. And because you won't spend time wrestling with a pre-rinse spray valve that doesn't rotate the way you may want it to, it will ultimately save you time, water and money.

We also include the Pre-Rinse Swivel factory installed on select **T&S Pre-Rinse Units and Spray Assemblies** (see the chart below for available models). The T&S Pre-Rinse Swivel works seamlessly with all T&S, Equip and many other manufacturer's Spray Valve models.



You won't spend extra time wrestling with a pre-rinse spray valve that doesn't do what you want it to do.

Result: The T&S Pre-Rinse Swivel will ultimately save you time, water and money.

SAVE ENERGY
WATER
MONEY

T&S Pre-Rinse Swivel MODELS

Model	Description
018200-40	Pre-Rinse Swivel Kit with (2) washers for retrofit installations
NEW B-0036-H-SWV	36" flexible stainless steel hose and Swivel 3/4-14 Female
NEW B-0044-H-SWV	44" flexible stainless steel hose and Swivel 3/4-14 Female
NEW B-0044-H2A-SWV	44" flexible stainless steel hose, less handle and Swivel 3/4-14 Female
NEW B-0068-H-SWV	68" flexible stainless steel hose and Swivel 3/4-14 Female
B-0100-SWV	B-0107 Spray Valve (1.42 GPM) with B-0044-H flexible stainless steel hose and Swivel 1/2" NPT Male
B-0100-C-SWV	B-0107-C Low-Flow Spray Valve (0.65 GPM) with B-0044-H flexible stainless steel hose and Swivel 1/2" NPT Male
B-0100-J-SWV	B-0107-J Low-Flow Spray Valve (1.07 GPM) with B-0044-H flexible stainless steel hose and Swivel 1/2" NPT Male
B-0113-B-SWV <i>Easy Install</i>	EasyInstall Pre-Rinse Unit, single deck-mount faucet, B-0107 (1.42 GPM) spray valve with Swivel, wall bracket
NEW B-0113-SWV <i>Easy Install</i>	EasyInstall Pre-Rinse Unit, single deck-mount faucet, B-0107 (1.42 GPM) spray valve with Swivel
B-0133-B-SWV <i>Easy Install</i>	EasyInstall Pre-Rinse Unit, 8" C/C wall-mount mixing faucet, B-0107 (1.42 GPM) spray valve, Swivel, wall bracket
NEW B-0133-SWV <i>Easy Install</i>	EasyInstall Pre-Rinse Unit, 8" C/C wall-mount mixing faucet, B-0107 (1.42 GPM) spray valve with Swivel
NEW B-0133-B08-SWV <i>JetSpray Easy Install</i>	EasyInstall Pre-Rinse Unit, 8" C/C wall-mount mixing faucet, B-0108 (1.48 GPM) JetSpray valve with Swivel
B-0133-CR-B8SWX <i>JetSpray Easy Install</i>	EasyInstall Pre-Rinse Unit, 8" C/C wall-mount mixing faucet, ceramic cartridges, B-0108 (1.48 GPM) spray valve with Swivel, wall bracket, club handles



018200-40
Pre-Rinse Swivel Kit includes (2) Washers

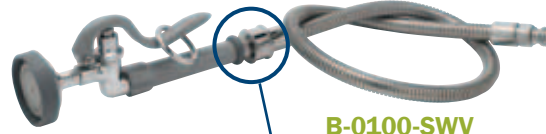
Available for retrofit installations



RELIABILITY BUILT IN™

The T&S Pre-Rinse Swivel FEATURES and BENEFITS

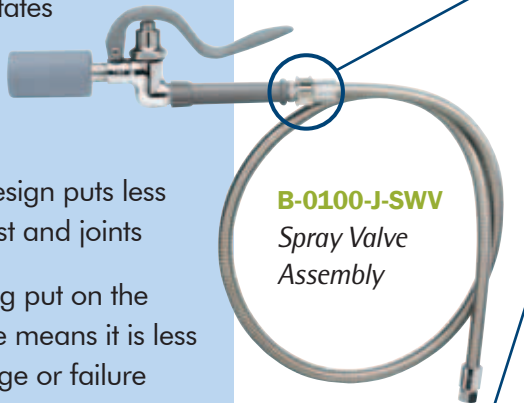
- Solid heavy-duty construction – robust and long-lasting
- Stainless steel concealed ball bearings provide ultra-smooth operation and will not corrode
- Chrome plated brass finish is durable and will not rust
- Spray handle rotates easily and independently from the hose
- Its ergonomic design puts less stress on the wrist and joints
- Less torque being put on the hose and handle means it is less prone to breakage or failure
- It can be conveniently retrofitted on all T&S and Equip hose assemblies and many other major manufacturer's models
- Retrofit installation is easily done with a 5/16" hex wrench; the pre-rinse swivel (018200-40) includes two replacement washers (see p.A9 for installation)
- All T&S Pre-Rinse Swivel models fully comply with:
 - ASME A112.18.1 / CSA B125.1
 - ANSI/NSF 61 - Section 9
 - California Health and Safety Code 116875 (AB1953-2006)
 - NSF/ANSI 372 ~ Low Lead Content (0.25% Max)
 - EPA Act 2005



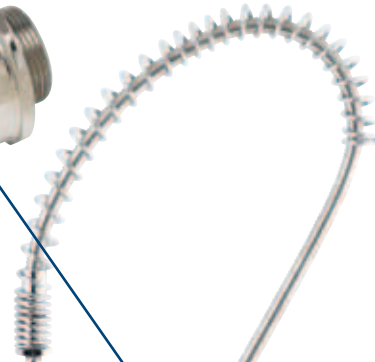
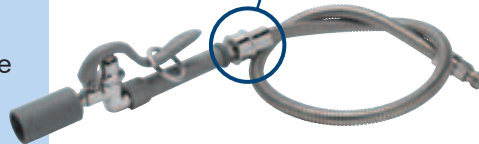
B-0100-SWV
Spray Assembly



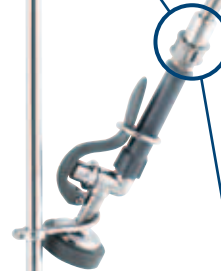
B-0100-J-SWV
Spray Valve Assembly



B-0100-C-SWV
Spray Valve Assembly



B-0113-SWV
Pre-Rinse Unit



Easy Install



B-0133-B08-SWV
Pre-Rinse Unit





How Do I Add the T&S Pre-Rinse Swivel...

...to my Pre-Rinse Spray Valve?

A
8

The T&S Pre-Rinse Swivel RETROFIT INSTALLATION

1. Unscrew the gray handle from the hose (see exploded view, below) and place a new (001014-45) washer in the hose barrel.
2. Start threading the male end of the pre-rinse swivel to the hose. With a 5/16" hex L-key firmly tighten the pre-rinse swivel to the hose.
3. Place the second washer (001014-45) in the pre-rinse swivel end and screw the spray valve handle* into the pre-rinse swivel using your hands or a 7/8" wrench. Tighten firmly.

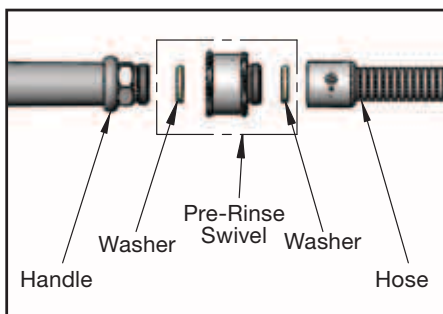
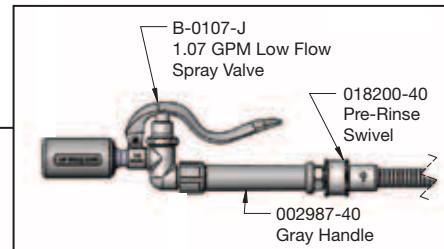
* If you have a B-0108 series spray valve, tighten the pre-rinse swivel directly to the spray valve.



B-0100-SWV



B-0100-C-SWV



T&S Brass and Bronze Works, Inc.
www.tsbrass.com

2 Saddleback Cove • P.O. Box 1088 • Travelers Rest, SC 29690
Phone 800.476.4103 • Fax 864.834.3518

All B-0113 series pre-rinse units with the B-0108 (1.48 GPM) and B-0108-C (0.65 GPM) JeTSpray valves comply with EPAct 2005

- Ergonomic B-0108 and B-0108-C JeTSpray valves are powerful and efficient
- All pre-rinse units are equipped with integral spring checks to prevent cross flow
- Hot Eterna Cartridge – 002712-40 • Cold Eterna Cartridge – 002711-40



B-0113-08 and B-0113-08C Pre-Rinse Units

Easy Install

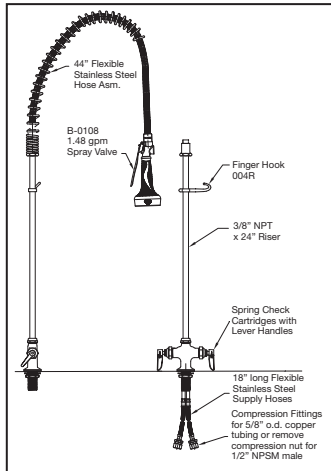
B-0108 JeTSpray Valve (1.48 GPM)
B-0108-C Low Flow JeTSpray Valve (0.65 GPM)

- Single hole deck-mount base faucet assembly (B-0113-LN) with EasyInstall™ “pop and lock” riser installation feature
- Overhead spring
- 18” (457 mm) flexible inlets with 5/8” compression / 1/2” NPSM male couplings
- 42-1/16” (1068 mm) high
- 14-7/16” (367 mm) overhang
- 14-1/8” (359 mm) clearance
- 24” (610 mm) riser (000372-40)
- B-0044-H2A 44” flexible stainless steel hose
- Finger hook (004R)



B-0113-B08

B-0113-08



B-0108 Spray Faces



B-0113 BASE FAUCET PRU	CARTRIDGE w/SPRING CHECK	SPRAY VALVE / GPM	WALL BRACKET	ADD-ON FAUCET	NOZZLE LENGTH	OVERALL HEIGHT	NOTES
B-0113-08	Eterna	B-0108 (1.48 GPM)	N	N	—	42-1/16” (1068 mm)	See spec above
B-0113-08C	Eterna	B-0108-C (0.65 GPM)	N	N	—	42-1/16” (1068 mm)	
B-0113-B08	Eterna	B-0108 (1.48 GPM)	B-0109-01 (6”)	N	—	42-1/16” (1068 mm)	See photo above
B-0113-B08C	Eterna	B-0108-C (0.65 GPM)	B-0109-01 (6”)	N	—	42-1/16” (1068 mm)	

Add-On Faucet Models:

B-0113-A06-08	Eterna	B-0108 (1.48 GPM)	N	Y	6” (152 mm)	46-1/4” (1175 mm)	
B-0113-A06-B08	Eterna	B-0108 (1.48 GPM)	B-0109-01 (6”)	Y	6” (152 mm)	46-1/4” (1175 mm)	
B-0113-A06-B08C	Eterna	B-0108-C (0.65 GPM)	B-0109-01 (6”)	Y	6” (152 mm)	46-1/4” (1175 mm)	
B-0113-A10-08C	Eterna	B-0108-C (0.65 GPM)	N	Y	10” (254 mm)	46-1/4” (1175 mm)	
B-0113-A12-B08	Eterna	B-0108 (1.48 GPM)	B-0109-01 (6”)	Y	12” (305 mm)	46-1/4” (1175 mm)	
B-0113-A12-08C	Eterna	B-0108-C (0.65 GPM)	N	Y	12” (305 mm)	46-1/4” (1175 mm)	
B-0113-A12-B08C	Eterna	B-0108-C (0.65 GPM)	B-0109-01 (6”)	Y	12” (305 mm)	46-1/4” (1175 mm)	





All B-0113 series pre-rinse units with the B-0107-C (0.65 GPM) and B-0107-J (1.07 GPM) low flow spray valves comply with EPA Act 2005

- All pre-rinse units are equipped with integral spring checks to prevent cross flow
- Hot Eterna Cartridge – 002712-40 • Cold Eterna Cartridge – 002711-40

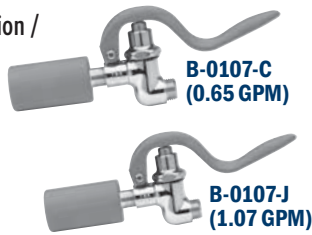
B-0113-C and B-0113-J Pre-Rinse Units

Easy Install

- B-0107-C Ultimate Low Flow Spray Valve (0.65 GPM)**
- B-0107-J NEW! Low Flow Spray Valve (1.07 GPM)**

- Single hole deck-mount base faucet assembly (B-0113-LN) with EasyInstall™ “pop and lock” riser installation feature
- Overhead spring
- 18” (457 mm) flexible inlets with 5/8” compression / 1/2” NPSM male couplings
- 42-1/16” (1068 mm) high
- 14” (356 mm) overhang
- 11-9/16” (290 mm) clearance
- 24” (610 mm) riser (000372-40)
- B-0044-H 44” flexible stainless steel hose
- Finger hook (004R)

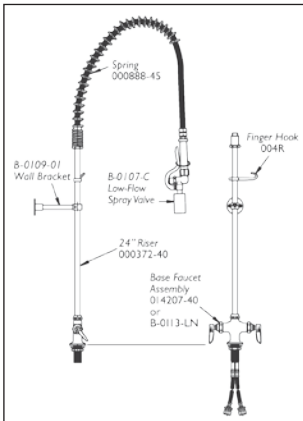
A 10



The B-0107-C is endorsed by the Green Restaurant Association (GRA), which recommends environmentally responsible products for the restaurant industry.



B-0113-BC



B-0113-BJ-SWV-T



B-0113-BC

NEW Pre-Rinse Models!

Spray Valve Option



B-0113 BASE FAUCET PRU	CARTRIDGE	SPRAY VALVE / GPM	WALL BRACKET	ADD-ON FAUCET	NOZZLE LENGTH	OVERALL HEIGHT	NOTES
B-0113-BC	Eterna w/spring check	B-0107-C (0.65 GPM)	B-0109-01 (6")	N	—	42-1/16" (1068 mm)	See photo above
B-0113-BJ	Eterna w/spring check	B-0107-J (1.07 GPM)	B-0109-01 (6")	N	—	42-1/16" (1068 mm)	B-0107-J photo, above
B-0113-C	Eterna w/spring check	B-0107-C (0.65 GPM)	N	N	—	42-1/16" (1068 mm)	
B-0113-CR-V-BC	Cerama w/check valve	B-0107-C (0.65 GPM)	B-0109-01 (6")	N	—	41-3/4" (1060 mm)	B-0970-FEZ vacuum breaker
B-0113-V-BC	Eterna w/spring check	B-0107-C (0.65 GPM)	B-0109-01 (6")	N	—	46" (1168 mm)	B-0970-FEZ vacuum breaker
B-0113-BJ-SWV-T	Eterna w/spring check	B-0107-J (1.07 GPM)	B-0109-01 (6")	N	—	42-1/8" (1070 mm)	Includes Swivel and B-TEE-RGD accessory tee
B-0113-CR-J	Cerama w/check valve	B-0107-J (1.07 GPM)	N	N	—	42-1/8" (1070 mm)	
B-0113-J	Eterna w/spring check	B-0107-J (1.07 GPM)	N	N	—	42-1/8" (1070 mm)	

B-0113-C and B-0113-J Pre-Rinse Units

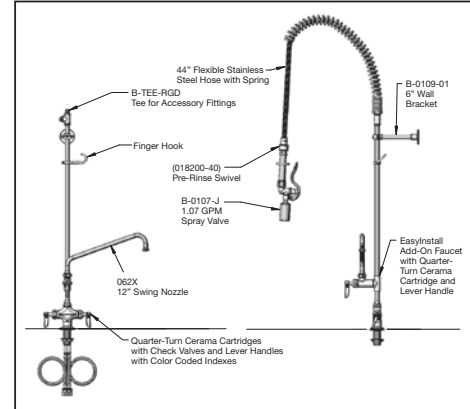
EasyInstall

- B-0107-C Ultimate Low Flow Spray Valve (0.65 GPM)**
- B-0107-J NEW! Low Flow Spray Valve (1.07 GPM)**

- Single hole deck-mount base faucet assembly (B-0113-LN) with EasyInstall™ “pop and lock” riser installation feature
- Overhead spring
- Add-on faucet with 12" (305 mm) swing nozzle
- 18" (457 mm) flexible inlets with 5/8" compression /1/2" NPSM male couplings
- 42-1/16" (1068 mm) high
- 14" (356 mm) overhang
- 11-9/16" (290 mm) clearance
- 24" (610 mm) riser (000372-40)
- B-0044-H 44" flexible stainless steel hose
- Finger hook (004R)



B-0113-12CRBJST



B-0113-C and B-0113-J PRE-RINSE UNITS, cont.

B-0113 BASE FAUCET PRU	CARTRIDGE	SPRAY VALVE / GPM	WALL BRACKET	ADD-ON FAUCET	NOZZLE LENGTH	OVERALL HEIGHT	NOTES
Add-On Faucet Models:							
B-0113-12CRBJST	Cerama w/check valve	B-0107-J (1.07 GPM)	B-0109-01 (6")	Y	12" (305 mm)	48-3/16" (1224 mm)	Includes 018200-40 pre-rinse swivel on spray valve for 360° rotation and B-TEE-RGD accessory tee
B-0113-12CRBJSW	Cerama w/check valve	B-0107-J (1.07 GPM)	B-0109-01 (6")	Y	12" (305 mm)	46-1/4" (1175 mm)	Includes 018200-40 pre-rinse swivel on spray valve for 360° rotation
B-0113-12-CRVBC	Cerama w/check valve	B-0107-C (0.65 GPM)	B-0109-01 (6")	Y	12" (305 mm)	46" (1168 mm)	B-0970-FEZ vacuum breaker
B-0113-A12-V-BC	Eterna w/spring check	B-0107-C (0.65 GPM)	B-0109-01 (6")	Y	12" (305 mm)	47-1/2" (1207 mm)	B-0970-FEZ vacuum breaker
B-0113-ADF12-BJ	Eterna w/spring check	B-0107-J (1.07 GPM)	B-0109-01 (6")	Y	12" (305 mm)	46-3/8" (1178 mm)	



All B-0113 series pre-rinse units with the B-0107 (1.42 GPM) and B-0107-J (1.07 GPM) spray valves comply with EPA Act 2005

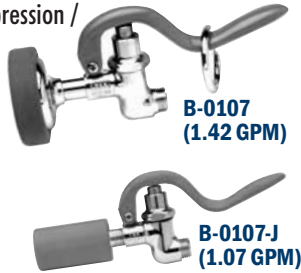
- All pre-rinse units are equipped with integral spring checks to prevent cross flow
- Hot Eterna Cartridge – 002712-40 • Cold Eterna Cartridge – 002711-40

B-0113-B Pre-Rinse Units

Easy Install

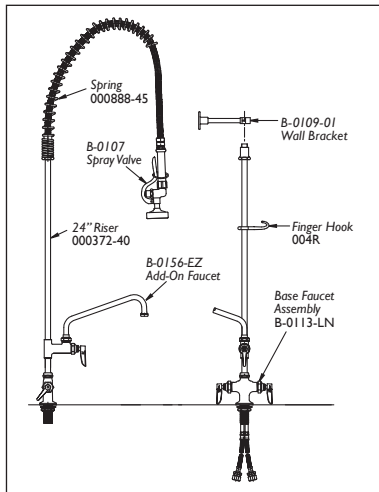
- B-0107 Spray Valve (1.42 GPM)**
- B-0107-J NEW! Low Flow Spray Valve (1.07 GPM)**

- Single hole deck-mount base faucet assembly (B-0113-LN) with EasyInstall™ “pop and lock” riser installation feature
- Overhead spring
- 18” (457 mm) flexible inlets with 5/8” compression / 1/2” NPSM male couplings
- B-0109-01 6” (152 mm) wall bracket
- 42-1/16” (1068 mm) high
- 14-1/16” (357 mm) overhang
- 12-9/16” (3192 mm) clearance
- 24” (610 mm) riser (000372-40)
- B-0044-H 44” flexible stainless steel hose
- Finger hook (004R)



A 12

B-0113-ADF12-B Pre-Rinse Unit



B-0113-ADF12-B

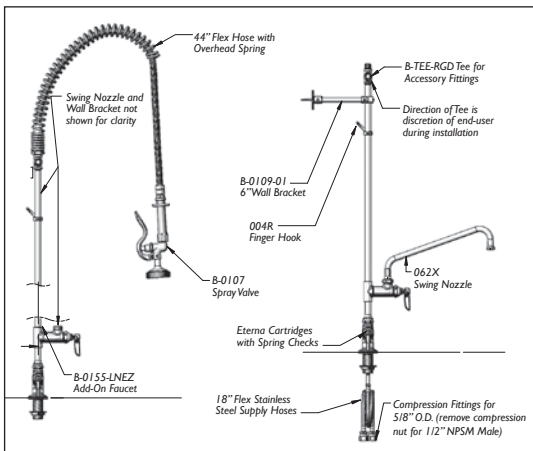


B-0113-B



B-0113-B-TEE

Pre-Rinse Unit with TEE and Add-On Faucet



Pre-Rinse and Spray Valve Options



Other length swing nozzles available – see *Accessories* section, page 3.

See complete line of pre-rinse accessories on pages A42-50



B-0113-B Pre-Rinse Units

Easy Install

All models on these two pages use the B-0107 spray valve (1.42 GPM), except for the B-0113-BJ and B-0113-ADF12-BJ with the NEW B-0107-J spray valve (1.07 GPM)



NEW Pre-Rinse Models!



A 13

B-0113 BASE FAUCET PRU	CARTRIDGE	SPRAY VALVE / GPM	WALL BRACKET	ADD-ON FAUCET	NOZZLE LENGTH	OVERALL HEIGHT	NOTES
B-0113	Eterna w/spring check	B-0107 (1.42 GPM)	N	N	—	42-1/16" (1068 mm)	
B-0113-079X-V-B	Eterna w/spring check	B-0107 (1.42 GPM)	B-0109-01 (6")	N	—	32-7/8" (835 mm)	Includes B-0970-FEZ vacuum breaker, 10" riser
B-0113-B	Eterna w/spring check	B-0107 (1.42 GPM)	B-0109-01 (6")	N	—	42-1/16" (1068 mm)	
B-0113-B-SWV	Eterna w/spring check	B-0107 (1.42 GPM)	B-0109-01 (6")	N	—	42-1/16" (1068 mm)	018200-40 pre-rinse swivel on spray valve for 360° rotation
B-0113-B-TEE	Eterna w/spring check	B-0107 (1.42 GPM)	B-0109-01 (6")	N	—	44-1/8" (1121 mm)	B-TEE-RGD accessory fitting tee
B-0113-B9	Eterna w/spring check	B-0107 (1.42 GPM)	B-0109-02 (9")	N	—	42-1/16" (1068 mm)	9" wall bracket
B-0113-BM	Eterna w/spring check	B-0107 (1.42 GPM)	B-0109-01 (6")	N	—	42-1/16" (1068 mm)	B-0113-B Master Box (6)
B-0113-BR	Eterna w/spring check	B-0107 (1.42 GPM)	B-0109-01 (6")	N	—	42-1/16" (1068 mm)	B-0044-R PVC hose
B-0113-CR	Cerama w/check valve	B-0107 (1.42 GPM)	N	N	—	42-1/16" (1068 mm)	
B-0113-CR-B	Cerama w/check valve	B-0107 (1.42 GPM)	B-0109-01 (6")	N	—	42-1/16" (1068 mm)	
B-0113-CR-V-B	Cerama w/check valve	B-0107 (1.42 GPM)	B-0109-01 (6")	N	—	41-3/4" (1060 mm)	B-0970-FEZ EasyInstall vacuum breaker
B-0113-M	Eterna w/spring check	B-0107 (1.42 GPM)	N	N	—	42-1/16" (1068 mm)	B-0113 Master Box (6)
B-0113-SWV	Eterna w/spring check	B-0107 (1.42 GPM)	N	N	—	42-1/16" (1068 mm)	018200-40 pre-rinse swivel on spray valve for 360° rotation

Add-On Faucet Models:

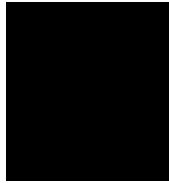
B-0113-ADF06	Eterna w/spring check	B-0107 (1.42 GPM)	N	Y	6" (152 mm)	49-7/16" (1255 mm)	
B-0113-ADF08-B	Eterna w/spring check	B-0107 (1.42 GPM)	B-0109-01 (6")	Y	8" (203 mm)	49-7/16" (1255 mm)	
B-0113-ADF10-B	Eterna w/spring check	B-0107 (1.42 GPM)	B-0109-01 (6")	Y	10" (254 mm)	49-7/16" (1255 mm)	
B-0113-ADF12	Eterna w/spring check	B-0107 (1.42 GPM)	N	Y	12" (305 mm)	49-7/16" (1255 mm)	
B-0113-ADF12-B	Eterna w/spring check	B-0107 (1.42 GPM)	B-0109-01 (6")	Y	12" (305 mm)	49-7/16" (1255 mm)	
B-0113-A12B-TEE	Eterna w/spring check	B-0107 (1.42 GPM)	B-0109-01 (6")	Y	12" (305 mm)	48-3/8" (1229 mm)	B-TEE-RGD accessory tee; see illustration p. A17
B-0113-12-CR-B	Cerama w/check valve	B-0107 (1.42 GPM)	B-0109-01 (6")	Y	12" (305 mm)	42-1/4" (1073 mm)	
B-0113-12-CRVB	Cerama w/check valve	B-0107 (1.42 GPM)	B-0109-01 (6")	Y	12" (305 mm)	46" (1168 mm)	B-0970-FEZ vacuum breaker





All B-0123 series pre-rinse units with the B-0108 (1.48 GPM) and B-0108-C (0.65 GPM) JetSpray valves comply with EPA 2005

- Ergonomic B-0108 and B-0108-C JetSpray valves are powerful and efficient
- All pre-rinse units are equipped with integral spring checks to prevent cross flow
- Hot Eterna Cartridge – 002712-40 • Cold Eterna Cartridge – 002711-40



B-0123-08 and B-0123-08C Pre-Rinse Units

Easy Install

B-0108 JetSpray Valve (1.48 GPM)
B-0108-C Low Flow JetSpray Valve (0.65 GPM)

- 8" (203 mm) deck-mount base faucet assembly (014208-40) with EasyInstall™ "pop and lock" riser installation feature
- Overhead spring
- 41-3/4" (1060 mm) high
- 14-7/16" (367 mm) overhang
- 13-3/16" (335 mm) clearance
- 1/2" NPT female eccentric flanged inlets (00AA)
- 24" (610 mm) riser (000372-40)
- B-0044-H2A 44" flexible stainless steel hose
- Finger hook (004R)

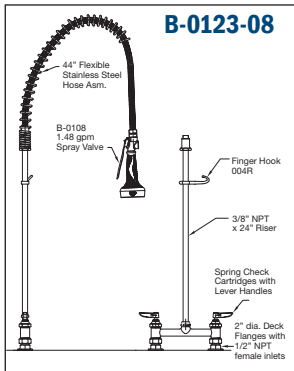


B-0108 Spray Faces



NEW
Pre-Rinse
Models!

Note: Supply nipples sold separately – B-0425 (2 required, see Accessories section, p. 18).



A
14

B-0123 BASE FAUCET PRU	CARTRIDGE w/ SPRING CHECK	SPRAY VALVE / GPM	WALL BRACKET	ADD-ON FAUCET	NOZZLE LENGTH	OVERALL HEIGHT	NOTES
B-0123-08	Eterna	B-0108 (1.48 GPM)	N	N	—	41-3/4" (1061 mm)	See spec above
B-0123-08C	Eterna	B-0108-C (0.65 GPM)	N	N	—	41-3/4" (1061 mm)	
B-0123-B08	Eterna	B-0108 (1.48 GPM)	B-0109-01 (6")	N	—	41-3/4" (1061 mm)	See photo above
B-0123-B08C	Eterna	B-0108-C (0.65 GPM)	B-0109-01 (6")	N	—	41-3/4" (1061 mm)	

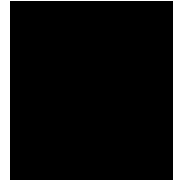
Add-On Faucet Models:

B-0123-A06-B08	Eterna	B-0108 (1.48 GPM)	B-0109-01 (6")	Y	6" (152 mm)	46-3/8" (1178 mm)	
B-0123-A06-B08C	Eterna	B-0108-C (0.65 GPM)	B-0109-01 (6")	Y	6" (152 mm)	46-3/8" (1178 mm)	
B-0123-A08-B08	Eterna	B-0108 (1.48 GPM)	B-0109-01 (6")	Y	8" (203 mm)	46-3/8" (1178 mm)	
B-0123-A08-B08C	Eterna	B-0108-C (0.65 GPM)	B-0109-01 (6")	Y	8" (203 mm)	46-3/8" (1178 mm)	
B-0123-A10-B08	Eterna	B-0108 (1.48 GPM)	B-0109-01 (6")	Y	10" (254 mm)	46-3/8" (1178 mm)	
B-0123-A10-B08C	Eterna	B-0108-C (0.65 GPM)	B-0109-01 (6")	Y	10" (254 mm)	46-3/8" (1178 mm)	
B-0123-A12-08	Eterna	B-0108 (1.48 GPM)	N	Y	12" (305 mm)	46-3/8" (1178 mm)	
B-0123-A12-B08	Eterna	B-0108 (1.48 GPM)	B-0109-01 (6")	Y	12" (305 mm)	46-3/8" (1178 mm)	See photo above
B-0123-A12-08C	Eterna	B-0108-C (0.65 GPM)	N	Y	12" (305 mm)	46-3/8" (1178 mm)	
B-0123-A12-B08C	Eterna	B-0108-C (0.65 GPM)	B-0109-01 (6")	Y	12" (305 mm)	46-3/8" (1178 mm)	



All B-0123 series pre-rinse units with the B-0107-C (0.65 GPM) and B-0107-J (1.07 GPM) low flow spray valves comply with EPA 2005

- All pre-rinse units are equipped with integral spring checks to prevent cross flow
- Hot Eterna Cartridge – 002712-40 • Cold Eterna Cartridge – 002711-40



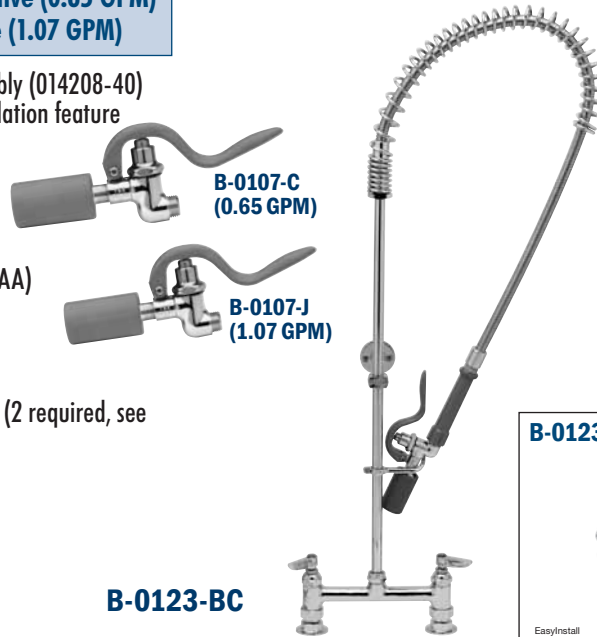
B-0123-C and B-0123-J Pre-Rinse Units

Easy Install

- B-0107-C Ultimate Low Flow Spray Valve (0.65 GPM)**
- B-0107-J NEW! Low Flow Spray Valve (1.07 GPM)**

- 8" (203 mm) deck-mount base faucet assembly (014208-40) with EasyInstall™ "pop and lock" riser installation feature
- Overhead spring
- 41-3/4" (1061 mm) high
- 14-1/8" (359 mm) overhang
- 11" (279 mm) clearance
- 1/2" NPT female eccentric flanged inlets (00AA)
- 24" (610 mm) riser (000372-40)
- B-0044-H 44" flexible stainless steel hose
- Finger hook (004R)

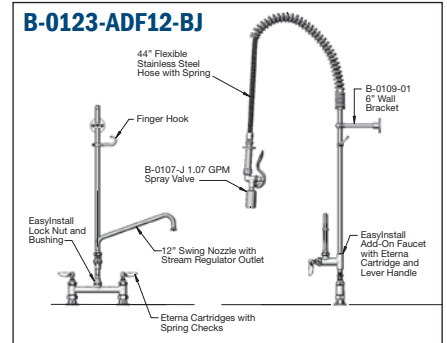
Note: Supply nipples sold separately – B-0425 (2 required, see Accessories section, p. 18).



B-0123-BC



Endorsed by the Green Restaurant Association (GRA), which recommends environmentally responsible products for the restaurant industry.



B-0123 BASE FAUCET PRU	CARTRIDGE	SPRAY VALVE / GPM	WALL BRACKET	ADD-ON FAUCET	NOZZLE LENGTH	OVERALL HEIGHT	NOTES
B-0123-BC	Eterna w/ spring check	B-0107-C (0.65 GPM)	B-0109-01 (6")	N	—	41-3/4" (1061 mm)	
B-0123-C	Eterna w/ spring check	B-0107-C (0.65 GPM)	N	N	—	41-3/4" (1061 mm)	
B-0123-CR-BC	Cerama w/ check valve	B-0107-C (0.65 GPM)	B-0109-01 (6")	N	—	41-3/4" (1061 mm)	
B-0123-CR-J	Cerama w/ check valve	B-0107-J (1.07 GPM)	N	N	—	41-3/4" (1061 mm)	
B-0123-J	Eterna w/ spring check	B-0107-J (1.07 GPM)	N	N	—	41-3/4" (1061 mm)	
B-0123-V-BC	Eterna w/ spring check	B-0107-C (0.65 GPM)	B-0109-01 (6")	N	—	46-9/16" (1183 mm)	B-0970-FEZ Vacuum breaker

Add-On Faucet Models:

B-0123-12-CR-BC	Cerama w/ check valve	B-0107-C (0.65 GPM)	B-0109-01 (6")	Y	12" (305 mm)	46" (1168 mm)	
B-0123-12CRCVBC	Cerama w/ check valve	B-0107-C (0.65 GPM)	B-0109-01 (6")	Y	12" (305 mm)	45-3/16" (1148 mm)	B-0970-FEZ Vacuum breaker
B-0123-A12-V-BC	Eterna w/ spring check	B-0107-C (0.65 GPM)	B-0109-01 (6")	Y	12" (305 mm)	45-1/8" (1146 mm)	B-0970-FEZ Vacuum breaker
B-0123-ADF12-BJ	Eterna w/ spring check	B-0107-J (1.07 GPM)	B-0109-01 (6")	Y	12" (305 mm)	46" (1168 mm)	





All B-0123 series pre-rinse units with the B-0107 (1.42 GPM) spray valve comply with EPA Act 2005

- All pre-rinse units are equipped with integral spring checks to prevent cross flow
- Hot Eterna Cartridge – 002712-40 • Cold Eterna Cartridge – 002711-40

B-0123-B Series Pre-Rinse Units

Easy Install

B-0107 Spray Valve (1.42 GPM)

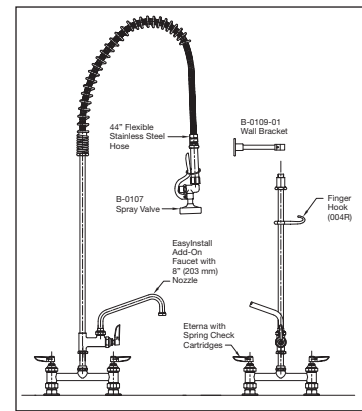
- 8" (203 mm) deck-mount base faucet assembly (014208-40) with EasyInstall™ "pop and lock" riser installation feature
- Overhead spring
- B-0109-01 6" (152 mm) wall bracket
- 41-3/4" (1061 mm) high
- 14" (357 mm) overhang
- 12-5/16" (312 mm) clearance
- 1/2" NPT female eccentric flanged inlets (00AA)
- 24" (610 mm) riser (000372-40)
- B-0044-H 44" flexible stainless steel hose
- Finger hook (004R)

Note: Supply nipples sold separately – B-0425 (2 required, see Accessories section, p. 18).



B-0123-B

B-0123-ADF08-B



NEW
Pre-Rinse
Models!

B-0123 BASE FAUCET PRU	CARTRIDGE	SPRAY VALVE / GPM	WALL BRACKET	ADD-ON FAUCET	NOZZLE LENGTH	OVERALL HEIGHT	NOTES
B-0123	Eterna w/spring check	B-0107 (1.42 GPM)	N	N	—	41-3/4" (1061 mm)	
B-0123-B	Eterna w/spring check	B-0107 (1.42 GPM)	B-0109-01 (6")	N	—	41-3/4" (1061 mm)	See photo/spec above
B-0123-B9	Eterna w/spring check	B-0107 (1.42 GPM)	B-0109-02 (9")	N	—	41-3/4" (1061 mm)	
B-0123-BM	Eterna w/spring check	B-0107 (1.42 GPM)	B-0109-01 (6")	N	—	41-3/4" (1061 mm)	B-0123-B Master Box (6)
B-0123-CR	Cerama w/check valve	B-0107 (1.42 GPM)	N	N	—	41-3/4" (1061 mm)	
B-0123-CR-CCV-B	Cerama w/check valve	B-0107 (1.42 GPM)	B-0109-01 (6")	N	—	41" (1041 mm)	B-0970-FEZ Vacuum Breaker; 00CC 1/2" NPT inlets
B-0123-CR-B	Cerama w/check valve	B-0107 (1.42 GPM)	B-0109-01 (6")	N	—	41-3/4" (1061 mm)	
B-0123-M	Eterna w/spring check	B-0107 (1.42 GPM)	N	N	—	41-3/4" (1061 mm)	B-0123 Master Box (6)

Add-On Faucet Models:

B-0123-ADF06-B	Eterna w/spring check	B-0107 (1.42 GPM)	B-0109-01 (6")	Y	6" (152 mm)	46" (1169 mm)	
B-0123-ADF08	Eterna w/spring check	B-0107 (1.42 GPM)	N	Y	8" (203 mm)	46" (1169 mm)	
B-0123-ADF08-B	Eterna w/spring check	B-0107 (1.42 GPM)	B-0109-01 (6")	Y	8" (203 mm)	46" (1169 mm)	See illustration above
B-0123-ADF10-B	Eterna w/spring check	B-0107 (1.42 GPM)	B-0109-01 (6")	Y	10" (254 mm)	46" (1169 mm)	
B-0123-ADF12	Eterna w/spring check	B-0107 (1.42 GPM)	N	Y	12" (305 mm)	46" (1169 mm)	
B-0123-ADF12-B	Eterna w/spring check	B-0107 (1.42 GPM)	B-0109-01 (6")	Y	12" (305 mm)	46" (1169 mm)	

The T&S Solution to Add-On Accessory Tees in the Kitchen

EasyInstall

Do you need an additional water source from your T&S EasyInstall pre-rinse unit or mixing faucet? Finding it hard to install? The T&S solution – the B-TEE-RGD, designed for use with T&S pre-rinses, or the B-TEE-EZK, designed for use with T&S mixing faucets.

NEW Swivel and Rigid Tee Assemblies

Tee Application

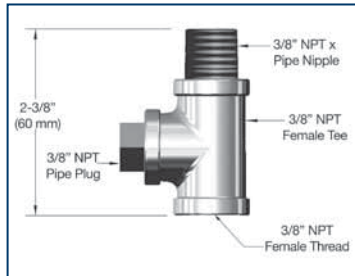
Tees on pre-rinse units and mixing faucets are used to supply water to accessory applications such as chemical injectors (for cleaning jobs, etc.) They are not intended to introduce chemicals into the T&S pre-rinse unit or mixing faucet. A backflow prevention device should be installed if it is not included with the accessory device.

B-TEE-RGD Tee Assembly

- Rigid tee assembly
- Chrome plated



Note: 3/8" Hex L-Key included

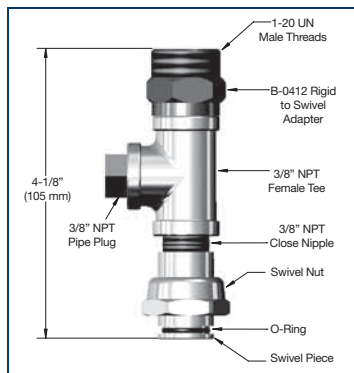


B-TEE-EZK Tee Assembly

- EasyInstall swivel tee assembly
- Chrome plated
- Swivel adapter accepts all T&S standard swing nozzles



Note: Swivel to Rigid Star Washer Included



B-0230-TZ-CR-SC

with B-TEE-EZK Swivel Tee Assembly



B-0113-B-TEE

with B-TEE-RGD Rigid Tee Assembly

Pre-Rinse Models with the B-TEE-RGD:

B-0113-A12B-TEE

PRU, 12" add-on faucet, wall bracket, rigid tee

B-0113-B-TEE

PRU, wall bracket, rigid tee

B-0133-A12B-TEE

PRU, 12" add-on faucet, wall bracket, rigid tee

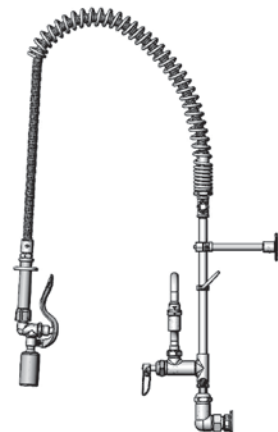
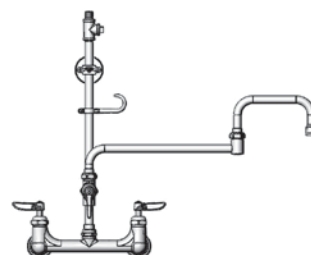
B-0133-B-TEE

PRU, wall bracket, rigid tee

Note: The B-TEE-RGD can be easily retrofitted to an existing T&S pre-rinse

B-0152-CR-C-TEE Pre-Rinse Unit

- 8" wall-mount base faucet
- Cerama cartridges with check valves
- B-TEE-RGD rigid tee with plug
- 1/2" NPT female inlets (00AA)
- B-0044-H 44" stainless steel hose
- B-0107-C Ultimate low flow spray valve (0.65 GPM)
- 18" double-joint swing nozzle (073X) with 2.2 GPM aerator on add-on faucet
- B-0109-01 6" (152 mm) wall bracket
- Finger hook (004R)





All B-0133 series pre-rinse units with the B-0108 (1.48 GPM) and B-0108-C (0.65 GPM) JeTSpray valves comply with EPart 2005

- Ergonomic B-0108 and B-0108-C JeTSpray valves are powerful and efficient
- All pre-rinse units are equipped with integral spring checks to prevent cross flow
- Hot Eterna Cartridge – 002712-40 • Cold Eterna Cartridge – 002711-40

B-0133-08 and B-0133-08C Pre-Rinse Units

Easy Install

B-0108 JeTSpray Valve (1.48 GPM)
B-0108-C Low Flow JeTSpray Valve (0.65 GPM)

- 8" (203 mm) wall-mount base faucet assembly (014209-40) with EasyInstall™ "pop and lock" riser installation feature
- 33-5/16" (846 mm) high
- 14-7/16" (366 mm) overhang
- 5-3/8" (137 mm) clearance
- 1/2" NPT female eccentric flanged inlets (00AA)
- 18" (457 mm) riser (000369-40)
- B-0044-H2A 44" flexible stainless steel hose
- Overhead spring
- Finger hook (004R)

Note: Installation Kit sold separately – B-0230-K (1 required, see Parts Kits section, p. G9).

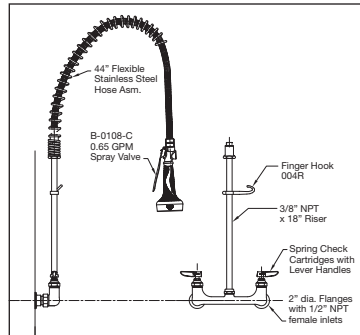
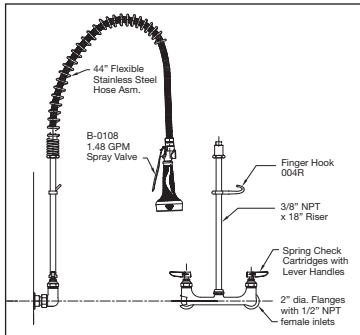
JeTSpray



B-0133-B08

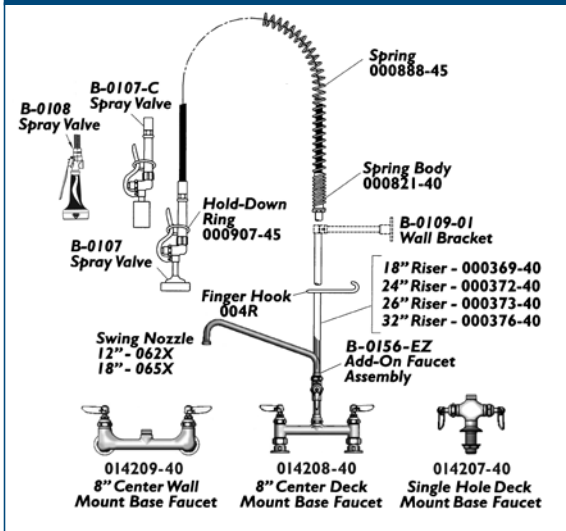
B-0133-08

B-0133-08C



B-0133-A12-B08C

Overhead Spring PRU Exploded View





B-0133-08 and B-0133-08C Pre-Rinse Units

B-0108 JetSpray Valve (1.48 GPM)
B-0108-C Low Flow JetSpray Valve (0.65 GPM)

Easy Install



JetSpray

B-0108 Spray Faces



JetSpray Valve (1.48 GPM)

B-0133 BASE FAUCET PRU	CARTRIDGE	SPRAY VALVE / GPM	WALL BRACKET	ADD-ON FAUCET	NOZZLE LENGTH	OVERALL HEIGHT	NOTES
B-0133-08	Eterna w/spring check	B-0108 (1.48 GPM)	N	N	—	33-5/16" (846 mm)	See spec, left
B-0133-B08	Eterna w/spring check	B-0108 (1.48 GPM)	B-0109-01 (6")	N	—	33-5/16" (846 mm)	See photo, left
B-0133-B08-SWV	Eterna w/spring check	B-0108 (1.48 GPM)	B-0109-01 (6")	N	—	33-5/16" (846 mm)	018200-40 pre-rinse swivel on spray valve for 360° rotation
B-0133-CR-B08	Cerama w/check valve	B-0108 (1.48 GPM)	B-0109-01 (6")	N	—	33-5/16" (846 mm)	
B-0133-CR-B08W4	Cerama w/check valve	B-0108 (1.48 GPM)	B-0109-01 (6")	N	—	33-5/16" (846 mm)	4" Wrist-action handles
B-0133-CR-B8SWX	Eterna w/spring check	B-0108 (1.48 GPM)	B-0109-01 (6")	N	—	23-5/16" (592 mm)	018200-40 pre-rinse swivel on spray valve for 360° rotation; club handles; 8" riser; B-0032-H2A 32" hose

Add-On Faucet Models:

B-0133-A06-08	Eterna w/spring check	B-0108 (1.48 GPM)	N	Y	6" (152 mm)	37-9/16" (954 mm)	
B-0133-A08-08	Eterna w/spring check	B-0108 (1.48 GPM)	N	Y	8" (203 mm)	37-9/16" (954 mm)	
B-0133-A08-B08	Eterna w/spring check	B-0108 (1.48 GPM)	B-0109-01 (6")	Y	8" (203 mm)	37-9/16" (954 mm)	
B-0133-A10-B08	Eterna w/spring check	B-0108 (1.48 GPM)	B-0109-01 (6")	Y	10" (254 mm)	37-9/16" (954 mm)	
B-0133-A12-08	Eterna w/spring check	B-0108 (1.48 GPM)	N	Y	12" (305 mm)	37-9/16" (954 mm)	
B-0133-A12-B08	Eterna w/spring check	B-0108 (1.48 GPM)	B-0109-01 (6")	Y	12" (305 mm)	37-9/16" (954 mm)	

B-0133 BASE FAUCET PRU

B-0108-C



Low-Flow JetSpray Valve (0.65 GPM)

B-0133-08C	Eterna w/spring check	B-0108-C (0.65 GPM)	N	N	—	33-5/16" (846 mm)	See spec, left
B-0133-B08C	Eterna w/spring check	B-0108-C (0.65 GPM)	B-0109-01 (6")	N	—	33-5/16" (846 mm)	
B-0133-CR-B08C	Cerama w/check valve	B-0108-C (0.65 GPM)	B-0109-01 (6")	N	—	33-5/16" (846 mm)	
B-0133-EE-CR-8C	Cerama w/check valve	B-0108-C (0.65 GPM)	N	N	—	33-5/16" (846 mm)	00EE 1/2" NPT Male Inlets w/ adj. flanges

Add-On Faucet Models:

B-0133-01-CR-8C	Cerama w/check valve	B-0108-C (0.65 GPM)	B-0109-02 (9")	Y	14" (356 mm)	37-9/16" (954 mm)	B-0056-H2A 56" Hose
B-0133-A06-08C	Eterna w/spring check	B-0108-C (0.65 GPM)	N	Y	6" (152 mm)	37-9/16" (954 mm)	
B-0133-A08-B08C	Eterna w/spring check	B-0108-C (0.65 GPM)	B-0109-01 (6")	Y	8" (203 mm)	37-9/16" (954 mm)	
B-0133-A10-08C	Eterna w/spring check	B-0108-C (0.65 GPM)	N	Y	10" (254 mm)	37-9/16" (954 mm)	
B-0133-A10-B08C	Eterna w/spring check	B-0108-C (0.65 GPM)	B-0109-01 (6")	Y	10" (254 mm)	37-9/16" (954 mm)	
B-0133-A12-08C	Eterna w/spring check	B-0108-C (0.65 GPM)	N	Y	12" (305 mm)	37-9/16" (954 mm)	
B-0133-A12-B08C	Eterna w/spring check	B-0108-C (0.65 GPM)	B-0109-01 (6")	Y	12" (305 mm)	37-9/16" (954 mm)	See photo, left
B-0133-A12-B8CX	Eterna w/spring check	B-0108-C (0.65 GPM)	B-0109-01 (6")	Y	12" (305 mm)	29-9/16" (751 mm)	10" (254 mm) Riser



All B-0133 series pre-rinse units with the B-0107 spray valve (1.42 GPM) comply with EPA Act 2005

- All pre-rinse units are equipped with integral spring checks to prevent cross flow
- Hot Eterna Cartridge – 002712-40 • Cold Eterna Cartridge – 002711-40

B-0133-B Series Pre-Rinse Units

EasyInstall

B-0107 Spray Valve (1.42 GPM)

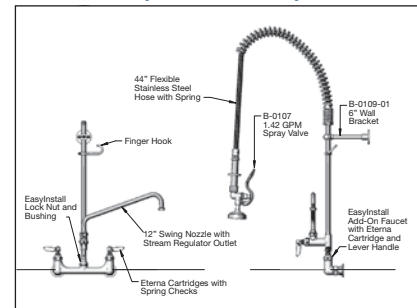
- 8" (203 mm) wall-mount base faucet assembly (014209-40) with EasyInstall™ "pop and lock" riser installation feature
- Overhead spring
- B-0109-01 6" (152 mm) wall bracket
- 33-5/16" (846 mm) high
- 14-1/16" (357 mm) overhang
- 3-3/4" (95 mm) clearance
- 1/2" NPT female eccentric flanged inlets (00AA)
- 18" (457 mm) riser (000369-40)
- B-0044-H 44" flexible stainless steel hose
- Finger hook (004R)

Note: Installation Kit sold separately – B-0230-K (1 required, see Parts Kits section, p. G9, or order a B-0133-B-02).



B-0133-B

B-0133-ADF (Add-On Faucet) Series



NEW
Pre-Rinse
Models!



All models on these two pages use the B-0107 spray valve (1.42 GPM)

B-0133 BASE FAUCET PRU	CARTRIDGE	SPRAY VALVE / GPM	WALL BRACKET	ADD-ON FAUCET	NOZZLE LENGTH	OVERALL HEIGHT	NOTES
B-0133	Eterna w/spring check	B-0107 (1.42 GPM)	N	N	—	33-5/16" (846 mm)	
B-0133-B	Eterna w/spring check	B-0107 (1.42 GPM)	B-0109-01 (6")	N	—	33-5/16" (846 mm)	See photo above
B-0133-B-02	Eterna w/spring check	B-0107 (1.42 GPM)	B-0109-01 (6")	N	—	33-5/16" (846 mm)	B-0230-K Installation Kit
B-0133-B-SWV	Eterna w/spring check	B-0107 (1.42 GPM)	B-0109-01 (6")	N	—	33-5/16" (846 mm)	018200-40 pre-rinse swivel on spray valve for 360° rotation
B-0133-B-TEE	Eterna w/spring check	B-0107 (1.42 GPM)	B-0109-01 (6")	N	—	35-9/16" (903 mm)	B-TEE-RGD accessory tee
B-0133-B9	Eterna w/spring check	B-0107 (1.42 GPM)	B-0109-02 (9")	N	—	33-5/16" (846 mm)	
B-0133-BM	Eterna w/spring check	B-0107 (1.42 GPM)	B-0109-01 (6")	N	—	33-5/16" (846 mm)	Master Box (6)
B-0133-BQD	Eterna w/spring check	B-0107 (1.42 GPM)	B-0109-01 (6")	N	—	33-5/16" (846 mm)	Quick-disconnect Hose
B-0133-BR	Eterna w/spring check	B-0107 (1.42 GPM)	B-0109-01 (6")	N	—	33-5/16" (846 mm)	B-0044-R PVC Hose
B-0133-CC	Eterna w/spring check	B-0107 (1.42 GPM)	N	N	—	33-5/16" (846 mm)	00CC 1/2" NPT Male Inlets
B-0133-CCB	Eterna w/spring check	B-0107 (1.42 GPM)	B-0109-01 (6")	N	—	33-5/16" (846 mm)	00CC 1/2" NPT Male Inlets
B-0133-CCB-CR	Cerama w/check valve	B-0107 (1.42 GPM)	B-0109-01 (6")	N	—	33-5/16" (846 mm)	00CC 1/2" NPT Male Inlets



B-0133 BASE FAUCET PRU	CARTRIDGE	SPRAY VALVE / GPM	WALL BRACKET	ADD-ON FAUCET	NOZZLE LENGTH	OVERALL HEIGHT	NOTES
B-0133-CCB-M	Eterna w/spring check	B-0107 (1.42 GPM)	B-0109-01 (6")	N	—	33-5/16" (846 mm)	00CC 1/2" NPT Male Inlets; Master Box (6)
B-0133-CR	Cerama w/check valve	B-0107 (1.42 GPM)	N	N	—	33-5/16" (846 mm)	
B-0133-CR-B	Cerama w/check valve	B-0107 (1.42 GPM)	B-0109-01 (6")	N	—	33-5/16" (846 mm)	
B-0133-CR-V-BE	Cerama w/check valve	B-0107 (1.42 GPM)	B-0109-01 (6")	N		37" (940 mm)	B-0970-FEZ V.B.; B-0230-K Inst. Kit
B-0133-EE-B	Eterna w/spring check	B-0107 (1.42 GPM)	B-0109-01 (6")	N	—	33-5/16" (846 mm)	00EE 1/2" NPT Male Inlets
B-0133-EE-BM	Eterna w/spring check	B-0107 (1.42 GPM)	B-0109-01 (6")	N	—	33-5/16" (846 mm)	Master Box (6)
B-0133-LB	Eterna w/spring check	B-0107 (1.42 GPM)	N	N	—	—	Riser, Hose and Spray Valve less Base Faucet
B-0133-M	Eterna w/spring check	B-0107 (1.42 GPM)	N	N	—	33-5/16" (846 mm)	B-0133 Master Box (6)
B-0133-SWV	Eterna w/spring check	B-0107 (1.42 GPM)	N	N	—	33-5/16" (846 mm)	018200-40 pre-rinse swivel w/ 360° rotation
B-0133-V-B	Eterna w/spring check	B-0107 (1.42 GPM)	B-0109-01 (6")	N	—	36-7/8" (937 mm)	B-0970-FEZ V.B.
B-0133-V-B-68H	Eterna w/spring check	B-0107 (1.42 GPM)	B-0109-01 (6")	N	—	36-7/8" (937 mm)	V.B.; 68" Flexible Stainless Steel Hose
Add-On Faucet Models:							
B-0133-18DJ-CRB	Cerama w/check valve	B-0107 (1.42 GPM)	B-0109-01 (6")	Y	—	37-5/8" (956 mm)	Dbl.-joint add-on faucet
B-0133-A12B-TEE	Eterna w/spring check	B-0107 (1.42 GPM)	B-0109-01 (6")	Y	12" (305 mm)	39-5/8" (1006 mm)	B-TEE-RGD acces. tee
B-0133-ADF06	Eterna w/spring check	B-0107 (1.42 GPM)	N	Y	6" (152 mm)	37-9/16" (954 mm)	
B-0133-ADF06-B	Eterna w/spring check	B-0107 (1.42 GPM)	B-0109-01 (6")	Y	6" (152 mm)	37-9/16" (954 mm)	
B-0133-ADF08	Eterna w/spring check	B-0107 (1.42 GPM)	N	Y	8" (203 mm)	37-9/16" (954 mm)	
B-0133-ADF08-B	Eterna w/spring check	B-0107 (1.42 GPM)	B-0109-01 (6")	Y	8" (203 mm)	37-9/16" (954 mm)	
B-0133-ADF10-B	Eterna w/spring check	B-0107 (1.42 GPM)	B-0109-01 (6")	Y	10" (254 mm)	37-9/16" (954 mm)	
B-0133-ADF10-BR	Eterna w/spring check	B-0107 (1.42 GPM)	B-0109-03 (12")	Y	10" (254 mm)	37-9/16" (954 mm)	Brush attachment, Supply Stops, 36" Supply Lines, B-0230-K Kit
B-0133-12-CRVBE	Cerama w/check valve	B-0107 (1.42 GPM)	B-0109-01 (6")	Y	12" (305 mm)	41-1/8" (1044 mm)	B-0970-FEZ V.B.; B-0230-K Inst. Kit
B-0133-ADF12	Eterna w/spring check	B-0107 (1.42 GPM)	N	Y	12" (305 mm)	37-9/16" (954 mm)	
B-0133-ADF12-B	Eterna w/spring check	B-0107 (1.42 GPM)	B-0109-01 (6")	Y	12" (305 mm)	37-9/16" (954 mm)	
B-0133-ADF12-BM	Eterna w/spring check	B-0107 (1.42 GPM)	B-0109-01 (6")	Y	12" (305 mm)	37-9/16" (954 mm)	Master Box (6)
B-0133-ADF12-BR	Eterna w/spring check	B-0107 (1.42 GPM)	B-0109-01 (6")	Y	12" (305 mm)	37-9/16" (954 mm)	Brush attachment, Supply Stops, 36" Supply Lines, B-0230-K Kit
B-0133-A12-CCB	Eterna w/spring check	B-0107 (1.42 GPM)	B-0109-01 (6")	Y	12" (305 mm)	37-9/16" (954 mm)	00CC 1/2" NPT Male Inlets
B-0133-01	Eterna w/spring check	B-0107 (1.42 GPM)	B-0109-02 (9")	Y	14" (356 mm)	37-9/16" (954 mm)	B-0056-H Hose, 00CC 1/2" NPT Male Inlets
B-0133-01-36H	Eterna w/spring check	B-0107 (1.42 GPM)	B-0109-02 (9")	Y	14" (356 mm)	37-9/16" (954 mm)	00CC 1/2" NPT Male Inlets, B-0036-H Hose
B-0133-01-CR	Cerama w/check valve	B-0107 (1.42 GPM)	N	Y	14" (356 mm)	37-9/16" (954 mm)	B-0056-H Hose
B-0133-A14-CCB	Eterna w/spring check	B-0107 (1.42 GPM)	B-0109-01 (6")	Y	14" (356 mm)	37-9/16" (954 mm)	00CC 1/2" NPT Male Inlets
B-0133-ADF14-B	Eterna w/spring check	B-0107 (1.42 GPM)	B-0109-01 (6")	Y	14" (356 mm)	37-9/16" (954 mm)	
B-0133-ADF14-BR	Eterna w/spring check	B-0107 (1.42 GPM)	B-0109-03 (12")	Y	14" (356 mm)	37-9/16" (954 mm)	Brush attachment, Supply Stops, 36" Supply Lines, B-0230-K Kit
B-0133-A16-CR-B	Cerama w/check valve	B-0107 (1.42 GPM)	B-0109-01 (6")	Y	16" (406 mm)	37-9/16" (954 mm)	
B-0133-ADF16-B	Eterna w/spring check	B-0107 (1.42 GPM)	B-0109-01 (6")	Y	16" (406 mm)	37-9/16" (954 mm)	
B-0133-ADF16-BR	Eterna w/spring check	B-0107 (1.42 GPM)	B-0109-03 (12")	Y	16" (406 mm)	37-9/16" (954 mm)	Brush attachment, Supply Stops, 36" Supply Lines, B-0230-K Kit
B-0133-ADF-LN	Eterna w/spring check	B-0107 (1.42 GPM)	B-0109-01 (6")	Y	Less nozzle	37-9/16" (954 mm)	Less nozzle





All B-0133 series pre-rinse units with the B-0107-C (0.65 GPM) and B-0107-J (1.07 GPM) low flow spray valves comply with EPA Act 2005

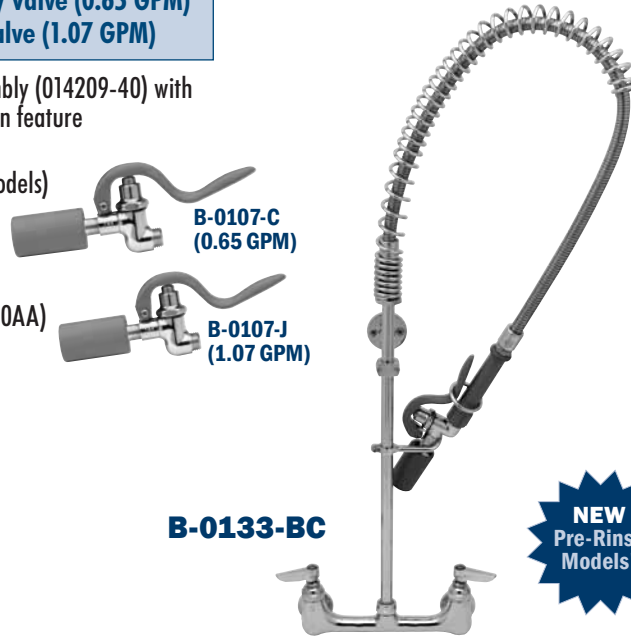
- All pre-rinse units are equipped with integral spring checks to prevent cross flow
- Hot Eterna Cartridge – 002712-40 • Cold Eterna Cartridge – 002711-40

B-0133-C and B-0133-J Pre-Rinse Units

Easy Install

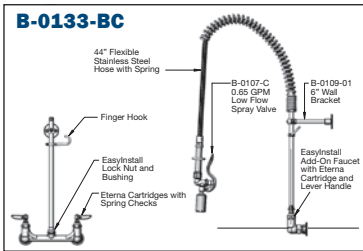
- B-0107-C** Ultimate Low Flow Spray Valve (0.65 GPM)
- B-0107-J** NEW! Low Flow Spray Valve (1.07 GPM)

- 8" (203 mm) wall-mount base faucet assembly (014209-40) with EasyInstall™ "pop and lock" riser installation feature
- Overhead spring
- B-0109-01 6" (152 mm) wall bracket (-B models)
- 33-5/16" (846 mm) high
- 14-1/8" (358 mm) overhang
- 2-11/16" (68 mm) clearance
- 1/2" NPT female eccentric flanged inlets (00AA)
- 18" (457 mm) riser (000369-40)
- B-0044-H 44" flexible stainless steel hose
- Finger hook (004R)



The B-0107-C is endorsed by the Green Restaurant Association (GRA), which recommends environmentally responsible products for the restaurant industry.

B-0133-ADF12-BC



NEW Pre-Rinse Models!

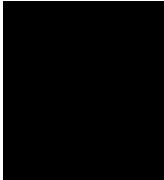
B-0133 BASE FAUCET PRU	CARTRIDGE	SPRAY VALVE / GPM	WALL BRACKET	ADD-ON FAUCET	NOZZLE LENGTH	OVERALL HEIGHT	NOTES
B-0133-C	Eterna w/spring check	B-0107-C (0.65 GPM)	N	N	—	33-5/16" (846 mm)	
B-0133-BC	Eterna w/spring check	B-0107-C (0.65 GPM)	B-0109-01 (6")	N	—	33-5/16" (846 mm)	See spec/photo above
B-0133-BJ	Eterna w/spring check	B-0107-J (1.07 GPM)	B-0109-01 (6")	N	—	33-5/16" (846 mm)	
B-0133-BJ-SWV-T	Eterna w/spring check	B-0107-J (1.07 GPM)	B-0109-01 (6")	N	—	33-7/16" (849 mm)	018200-40 pre-rinse swivel; B-TEE-RGD accessory tee
B-0133-CR-BC	Cerama w/check valve	B-0107-C (0.65 GPM)	B-0109-01 (6")	N	—	33-5/16" (846 mm)	
B-0133-CR-C	Cerama w/check valve	B-0107-C (0.65 GPM)	N	N	—	33-5/16" (846 mm)	
B-0133-CR-J	Cerama w/check valve	B-0107-J (1.07 GPM)	N	N	—	33-3/8" (848 mm)	
B-0133-CR-V-BCE	Cerama w/check valve	B-0107-C (0.65 GPM)	B-0109-01 (6")	N	—	36-7/8" (937 mm)	B-0970-FEZ V.B.; B-0230-K Inst. Kit; 18" (457 mm) riser
B-0133-V-BC	Eterna w/spring check	B-0107-C (0.65 GPM)	B-0109-01 (6")	N	—	36-7/8" (937 mm)	B-0970-FEZ V.B.

Add-On Faucet Models:

B-0133-ADF12-BC	Eterna w/spring check	B-0107-C (0.65 GPM)	B-0109-01 (6")	Y	12" (305 mm)	37-9/16" (954 mm)	See spec above
B-0133-ADF12-BJ	Eterna w/spring check	B-0107-J (1.07 GPM)	B-0109-01 (6")	Y	12" (305 mm)	37-9/16" (954 mm)	
B-0133-A12-BC4	Eterna w/spring check	B-0107-C (0.65 GPM)	B-0109-01 (6")	Y	12" (305 mm)	35-3/16" (894 mm)	Four way cross
B-0133-12CRBJSK	Cerama w/check valve	B-0107-J (1.07 GPM)	B-0109-01 (6")	Y	12" (305 mm)	37-9/16" (954 mm)	B-0230-K Inst. Kit; 018200-40 pre-rinse swivel
B-0133-12CRBJST	Cerama w/check valve	B-0107-J (1.07 GPM)	B-0109-01 (6")	Y	12" (305 mm)	39-1/2" (1003 mm)	B-0230-K Inst. Kit; B-TEE-RGD accessory tee; 018200-40 pre-rinse swivel
B-0133-12CRVBCE	Cerama w/check valve	B-0107-C (0.65 GPM)	B-0109-01 (6")	Y	12" (305 mm)	41-1/8" (1044 mm)	B-0230-K Inst. Kit; B-0970-FEZ V.B.

All B-0133 series pre-rinse units with the B-0107 spray valve (1.42 GPM) comply with EPAct 2005

- All pre-rinse units are equipped with integral spring checks to prevent cross flow
- Hot Eterna Cartridge – 002712-40 • Cold Eterna Cartridge – 002711-40

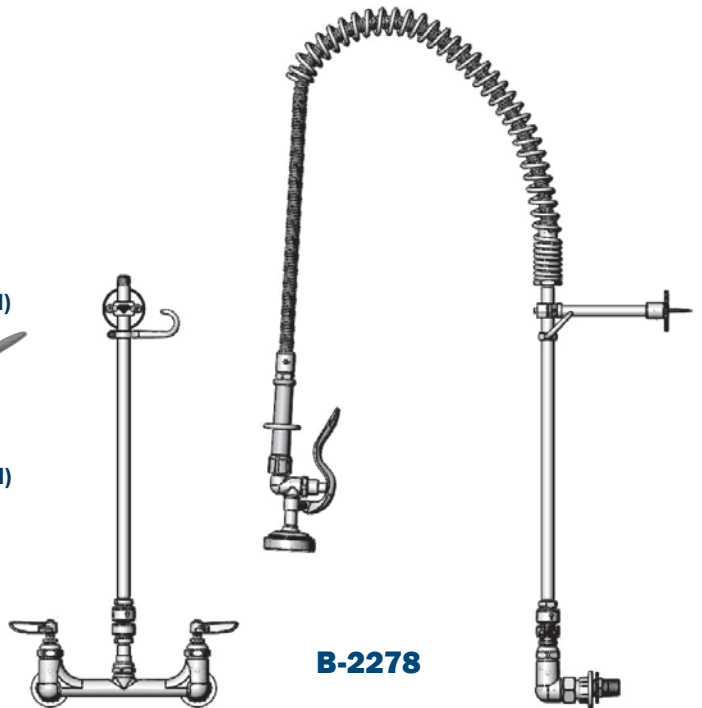
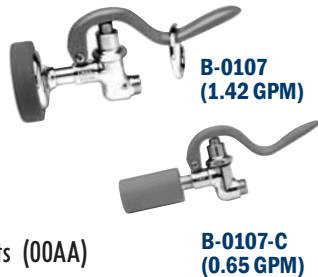


B-2278 Series Pre-Rinse Units

Easy Install

- B-0107** Spray Valve (1.42 GPM)
- B-0107-C** Ultimate Low Flow Spray Valve (0.65 GPM)

- 8" (203 mm) wall-mount base faucet assembly (014209-40) with EasyInstall™ "pop and lock" riser installation feature
- Overhead spring
- B-0109-01 6" (152 mm) wall bracket
- 36-7/8" (937 mm) high
- 14-1/16" (357 mm) overhang
- 7-5/16" (186 mm) clearance
- Includes supply nipples (B-0425)
- B-0970-FEZ vacuum breaker
- 18" (457 mm) riser (000369-40)
- 1/2" NPT female eccentric flanged inlets (00AA)
- B-0044-H 44" flexible stainless steel hose
- Finger hook (004R)



**A
23**



B-0133 BASE FAUCET PRU	CARTRIDGE	SPRAY VALVE / GPM	WALL BRACKET	ADD-ON FAUCET	NOZZLE LENGTH	OVERALL HEIGHT	NOTES
B-2278	Eterna w/spring check	B-0107 (1.42 GPM)	B-0109-01 (6")	N	–	36-7/8 (937 mm)	See drawing above
B-2278-02	Eterna w/spring check	B-0107-C (0.65 GPM)	B-0109-01 (6")	N	–	36-7/8 (937 mm)	
B-2278-02-CR	Cerama w/check valve	B-0107-C (0.65 GPM)	B-0109-01 (6")	N	–	36-7/8 (937 mm)	
B-2278-0440-CR	Cerama w/check valve	B-0107 (1.42 GPM)	B-0109-01 (6")	N	–	36-7/8 (937 mm)	B-0440 extensions
B-2278-B9	Eterna w/spring check	B-0107 (1.42 GPM)	B-0109-02 (9")	N	–	36-7/8 (937 mm)	
B-2278-CR	Cerama w/check valve	B-0107 (1.42 GPM)	B-0109-01 (6")	N	–	36-7/8 (937 mm)	
B-2278-CR-C-EL	Cerama w/check valve	B-0107-C (0.65 GPM)	B-0109-01 (6")	N	–	36-7/8 (937 mm)	Short els with 1/2" NPT female inlets

Add-On Faucet Models:

B-2278-01	Eterna w/spring check	B-0107 (1.42 GPM)	B-0109-01 (6")	Y	12" (305 mm)	41-1/8" (1045 mm)	
B-2278-01-CR	Cerama w/check valve	B-0107 (1.42 GPM)	B-0109-01 (6")	Y	12" (305 mm)	41-1/8" (1045 mm)	
B-2278-A12CRCEL	Cerama w/check valve	B-0107-C (0.65 GPM)	B-0109-01 (6")	Y	12" (305 mm)	41-1/8" (1045 mm)	Short els with 1/2" NPT female inlets
B-2278-ADF	Eterna w/spring check	B-0107 (1.42 GPM)	B-0109-01 (6")	Y	12" (305 mm)	41-1/8" (1045 mm)	





Pre-rinse units with the B-0107 spray valve (1.42 GPM) comply with EPAct 2005

B-0143 Pre-Rinse Unit

- Concealed mixing faucet (B-0512)
- Rigid deck flange (B-0430)
- 1/2" NPSM shank with 150A tailpiece and nut for 1/4" NPT connections
- 42-1/8" (1069 mm) high
- 14" (356 mm) overhang
- 16-7/16" (418 mm) clearance
- 24" (610 mm) riser (000372-40)
- B-0107 spray valve (1.42 GPM)
- B-0044-H 44" flexible stainless steel hose

Note: This pre-rinse unit requires separate check valves. Piping between remote control valve and pre-rinse supplied by others.

B-0143-01 same as B-0143 except less B-0512 remote valve

Check Valves for B-0143

B-CVH3-8 for horizontal or vertical use, 3/8" NPT female
Furnished in rough brass



B-0153 Pre-Rinse Unit

- With double pedal valve (B-0502)
- Rigid deck flange (B-0430)
- 1/2" NPSM shank with 150A tailpiece and nut for 1/4" NPT connections
- 38-15/16" (989 mm) high
- 14-3/4" (374 mm) overhang
- 10-15/16" (277 mm) clearance
- 24" (610 mm) riser (000372-40)
- Spray head (001AS) with adapter (000552-25)
- B-0044-H 44" flexible stainless steel hose

Note: This pre-rinse unit requires separate check valves. Piping between remote control valve and pre-rinse supplied by others.

Check Valves for B-0153

B-CVH1-2 for horizontal or vertical use, 1/2" NPT female
B-CVH3-4 for horizontal or vertical use, 3/4" NPT female
Furnished in rough brass



B-0163 Pre-Rinse Unit

- 4" (102 mm) concealed faucet (002837-40)
- 33-3/16" (842 mm) high
- 14-3/16" (361 mm) overhang
- 3-9/16" (91 mm) clearance
- 1/2" NPT female inlets (facing down)
- 18" (457 mm) riser (000369-40)
- B-0107 spray valve (1.42 GPM)
- B-0044-H 44" flexible stainless steel hose

Note: This pre-rinse unit requires separate check valves.

Check Valves for B-0163

B-CVH1-2 for horizontal or vertical use, 1/2" NPT female
B-CVH3-4 for horizontal or vertical use, 3/4" NPT female
Furnished in rough brass



B-0173 Pre-Rinse Unit

- Single hole base faucet with Eterna cartridge
- 18" flexible inlet hoses (compression fittings for 5/8" OD tubing or 1/2" NPSM male thread)
- 42-5/16" (1075 mm) high
- 14-1/16" (357 mm) overhang
- 12-13/16" (325 mm) clearance
- 24" (610 mm) riser (000372-40)
- B-0107 spray valve (1.42 GPM)
- B-0044-H 44" flexible stainless steel hose
- Finger hook (004R)
- Mechanical temperature mixing valve with integral check valves

B-0173-B with B-0109-01 6" (152 mm) wall bracket





Pre-rinse units with the B-0107 spray valve (1.42 GPM) comply with EPAct 2005

- All pre-rinse units (unless noted) are equipped with integral spring checks to prevent cross flow
- Hot Eterna Cartridge – 002712-40 • Cold Eterna Cartridge – 002711-40

B-2187 Pre-Rinse Unit

Easy Install

- 8" (203 mm) wall-mount faucet
- Eterna cartridges with spring checks
- 37-11/16" (957 mm) high
- 14-1/16" (357 mm) overhang
- 7-1/2" (191 mm) clearance
- 18" (457 mm) riser (00369-40)
- B-0044-R 44" rubber hose
- 1/2" NPT female eccentric flanged inlets (00AA)
- B-0107 spray valve (1.42 GPM)
- B-0109-01 6" (152 mm) wall bracket
- EasyInstall add-on faucet with 14" swing nozzle (B-0158)
- Finger hook (004R)

Note: Installation Kit sold separately – B-0230-K (1 required, see Parts Kits section, p. G9).

Note: The following models are related but are NOT EasyInstall:

- B-2187-01** with B-0044-H 44" hose
- B-2180** rigid base with 18" (457 mm) add-on faucet and B-0109-03 12" (305 mm) wall bracket
- B-2194** with 16" (406 mm) add-on faucet and B-0109-03 12" (305 mm) wall bracket



B-2261-B Pre-Rinse Unit

- Wall-mount base faucet with 00GG inlet arms adjustable from 2-1/4" to 8-1/4" (57 mm to 210 mm) centers
- Eterna cartridges with spring checks
- 33-7/16" (849 mm) high
- 14-1/16" (357 mm) overhang
- 3-9/16" (91 mm) clearance
- 18" (457 mm) riser (000369-40)
- B-0044-H 44" flexible stainless steel hose
- 1/2" NPT female inlets
- B-0107 spray valve (1.42 GPM)
- B-0109-01 6" (152 mm) wall bracket
- Finger hook (004R)

B-2261 without B-0109-01 6" (152 mm) wall bracket



B-2223 Pre-Rinse Unit

- 6" (152 mm) deck-mount base faucet (008963-40)
- Eterna cartridges with spring checks
- 41-11/16" (1059 mm) high
- 14-1/16" (357 mm) overhang
- 12-3/16" (310 mm) clearance
- 24" (610 mm) riser (000372-40)
- B-0044-H flexible stainless steel hose
- 1/2" NPT female eccentric flanged inlets (00AA)
- B-0107 spray valve (1.42 GPM)
- B-0109-01 6" (152 mm) wall bracket
- Finger hook (004R)

Note: Supply nipples sold separately – B-0425 (2 required, see Accessories section, p. 18).



B-2285 Pre-Rinse Unit

Easy Install

- EasyInstall single hole single temperature base faucet (B-0205-LN)
- Eterna cartridge
- Fits sink top to 1-5/8" (41 mm) thick
- 42-7/8" (1090 mm) high
- 14-1/16" (357 mm) overhang
- 13-3/8" (339 mm) clearance
- 24" riser (000372-40)
- B-0044-H 44" flexible stainless steel hose
- 1/2" NPSM male inlet with 150A tailpiece and nut for 1/4" NPT connections
- B-0107 spray valve (1.42 GPM)
- Finger hook (004R)

Note: This pre-rinse unit does not require a check valve

B-2285-B with B-0109-01 6" (152 mm) wall bracket





Pre-rinse units with the B-0107 Spray Valve (1.42 GPM), B-0107-C Ultimate Low-flow Spray Valve (0.65 GPM) and B-0108-C Low-flow JetSpray Valve (0.65 GPM) comply with EPA Act 2005

- All pre-rinse units are equipped with integral spring checks to prevent cross flow
- Hot Eterna Cartridge – 002712-40 • Cold Eterna Cartridge – 002711-40



B-2285-BC Pre-Rinse Unit

Easy Install

- Single hole deck-mount base faucet (B-0305-LN)
- Eterna cartridge
- 45-1/2" (1155 mm) high
- 14-1/16" (357 mm) overhang
- 18-9/16" (471 mm) clearance
- 1/2" male NPSM threaded inlet
- 24" riser (000372-40)
- B-0107-C Ultimate low-flow spray valve (0.65 GPM)
- B-0044-H 44" flexible stainless steel hose
- B-0109-01 6" (152 mm) wall bracket
- Finger hook (004R)



B-2338 Pre-Rinse Unit

- Single hole deck-mount base faucet (002824-40)
- 18" flexible inlet hoses (compression fittings for 5/8" OD tubing or 1/2" NPSM male thread)
- Eterna cartridges with spring checks
- 40-1/8" (1020 mm) high
- 14-1/16" (357 mm) overhang
- 10-9/16" (269 mm) clearance
- 18" (457 mm) riser (000369-40)
- B-0107 spray valve (1.42 GPM)
- B-0044-H 44" flexible stainless steel hose
- B-0156 add on faucet with 12" (305 mm) nozzle
- B-0109-01 6" (152 mm) wall bracket
- Finger hook (004R)



B-2338-CR same as B-2338 except with ceramic cartridges with check valves

B-2349 Pre-Rinse Unit

- Single hole deck-mount base faucet (002824-40)
- 18" flexible inlet hoses (compression fittings for 5/8" OD tubing or 1/2" NPSM male thread)
- Eterna cartridges with spring checks
- 41-15/16" (1064 mm) high
- 14-1/16" (357 mm) overhang
- 12-5/16" (313 mm) clearance
- 24" (610 mm) riser (000372-40)
- B-0107 spray valve (1.42 GPM)
- B-0044-H 44" flexible stainless steel hose
- B-0109-03 12" (305 mm) wall bracket
- Finger hook (004R)



B-2338-08C Pre-Rinse Unit

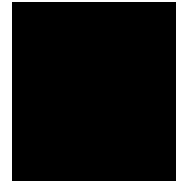
- Single hole deck-mount base faucet (002824-40)
- 18" flexible inlet hoses (compression fittings for 5/8" OD tubing or 1/2" NPSM male thread)
- Eterna cartridges with spring checks
- 40-1/8" (1106 mm) high
- 14-7/16" (356 mm) overhang
- 12-3/16" (488 mm) clearance
- 18" (457 mm) riser (000369-40)
- B-0108-C low flow JetSpray valve (0.65 GPM)
- B-0044-H2A 44" flexible stainless steel hose
- B-0156 add on faucet with 12" (305 mm) nozzle
- B-0109-01 6" (152 mm) wall bracket
- Finger hook (004R)





Pre-rinse units with the B-0107 Spray Valve (1.42 GPM) comply with EPAct 2005

- All pre-rinse units are equipped with integral spring checks to prevent cross flow
- Hot Eterna Cartridge – 002712-40 • Cold Eterna Cartridge – 002711-40



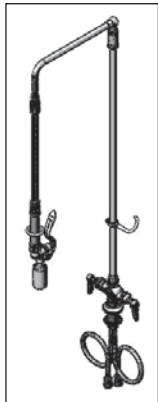
B-0111 Pre-Rinse Unit

Easy Install

- Single hole deck-mount base faucet with EasyInstall™ “pop and lock” riser installation feature (B-0113-LN)
- 18” flexible inlet hoses (compression fittings for 5/8” OD tubing or 1/2” NPSM male thread)
- 38-3/4” (984 mm) high
- 11-5/16” (287 mm) overhang
- 9-9/16” (244 mm) clearance
- 12” (305 mm) overhead swivel arm (002882-40)
- B-0107 spray valve (1.42 GPM)
- 32” (610 mm) riser (000376-40)
- B-0020-H 20” flexible stainless steel hose
- Finger hook (004R)

See chart below for additional models

B-0111-C



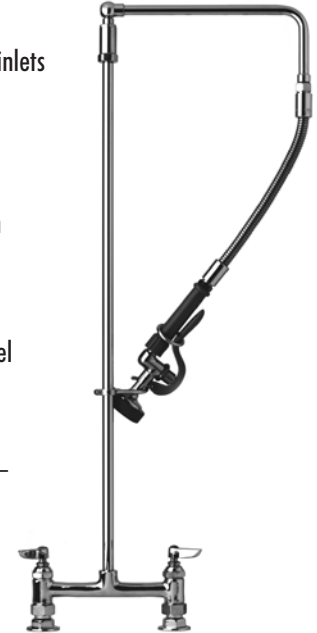
B-0112



B-0121 Pre-Rinse Unit

- 8” (203 mm) deck-mount faucet (002829-40)
- 1/2” NPT female eccentric flanged inlets (00AA)
- 38-3/8” (975 mm) high
- 11-5/16” (287 mm) overhang
- 9-3/16” (234 mm) clearance
- 12” (305 mm) overhead swivel arm (002882-40)
- 32” (823 mm) riser (000376-40)
- B-0107 spray valve (1.42 GPM)
- B-0020-H 20” flexible stainless steel hose
- Finger hook (004R)

Note: Supply nipples sold separately – B-0425 (2 required, see Accessories section, p. 18).



B-0122 with 18” (457 mm) swivel arm, 38” (969 mm) riser (000377-40), 44-3/8” (1127 mm) high and B-0026-H 26” flexible stainless steel hose

**A
27**

B-0111 SERIES Pre-Rinse Unit	CARTRIDGE	SPRAY VALVE / GPM	WALL BRACKET	ADD-ON FAUCET	OVERALL HEIGHT	NOTES
B-0111	Eterna w/spring check	B-0107 (1.42 GPM)	N	N	38-3/4” (984 mm)	
B-0111-B	Eterna w/spring check	B-0107 (1.42 GPM)	B-0109-01 (6”)	N	38-3/4” (984 mm)	
B-0111-BC	Eterna w/spring check	B-0107-C (0.65 GPM)	B-0109-01 (6”)	N	38-3/4” (984 mm)	
B-0111-C	Eterna w/spring check	B-0107-C (0.65 GPM)	N	N	38-3/4” (984 mm)	
B-0111-02	–	B-0107 (1.42 GPM)	B-0109-01 (6”)	N	35” (889 mm)	Less base faucet
B-0111-BR	Eterna w/spring check	B-0107 (1.42 GPM)	B-0109-01 (6”)	N	38-3/8” (975 mm)	B-0020-R 20” (508 mm) PVC hose; rigid riser
B-0112	Eterna w/spring check	B-0107 (1.42 GPM)	N	N	44-3/8” (1127 mm)	(002824-40) rigid base faucet; 18” (457 mm) swivel arm; B-0026-H 26” flex. stainless steel hose; 38” (965 mm) riser



Pre-rinse units with the B-0107 Spray Valve (1.42 GPM) and B-0107-C Ultimate Low-flow Spray Valve (0.65 GPM) comply with EPAct 2005

- All pre-rinse units are equipped with integral spring checks to prevent cross flow
- Hot Eterna Cartridge – 002712-40 • Cold Eterna Cartridge – 002711-40



B-0131 Pre-Rinse Unit

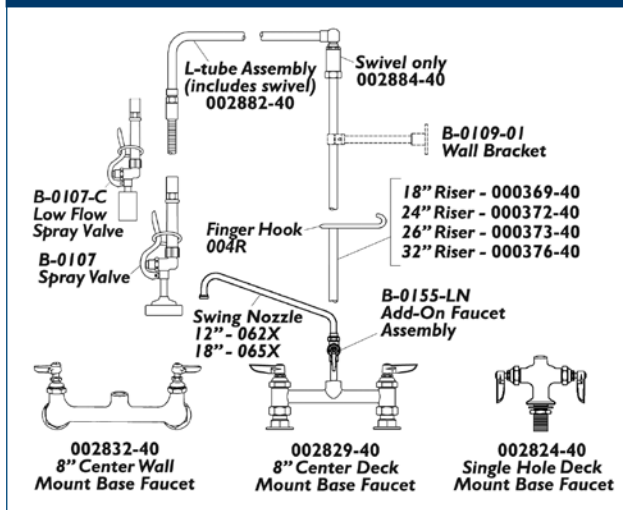
- 8" (203 mm) wall-mount faucet (002832-40)
- 29-5/8" (753 mm) high
- 11-5/16" (287 mm) overhang
- 1/2" (13 mm) clearance
- 1/2" NPT female eccentric flanged inlets (00AA)
- 12" (305 mm) overhead swivel arm (002882-40)
- 26" (660 mm) riser (000373-40)
- B-0107 spray valve (1.42 GPM)
- B-0020-H 20" flexible stainless steel hose
- Finger hook (004R)



Note: Installation Kit sold separately – B-0230-K (1 required, see Parts Kits section, p. G9).



Overhead Swivel Arm Exploded View



B-0131 SERIES Pre-Rinse Unit	CARTRIDGE	SPRAY VALVE / GPM	WALL BRACKET	ADD-ON FAUCET	NOZZLE LENGTH	OVERALL HEIGHT	NOTES
B-0131	Eterna w/ spring check	B-0107 (1.42 GPM)	N	N	–	29-5/8" (753 mm)	
B-0131-B	Eterna w/ spring check	B-0107 (1.42 GPM)	B-0109-01 (6")	N	–	29-5/8" (753 mm)	
B-0131-BC	Eterna w/ spring check	B-0107-C (0.65 GPM)	B-0109-01 (6")	N	–	29-5/8" (753 mm)	
B-0131-BC-28H	Eterna w/ spring check	B-0107-C (0.65 GPM)	B-0109-01 (6")	N	–	29-5/8" (753 mm)	B-0028-H hose
B-0131-BC-425	Eterna w/ spring check	B-0107-C (0.65 GPM)	B-0109-01 (6")	N	–	29-5/8" (753 mm)	B-0425 Supply kit
B-0131-C	Eterna w/ spring check	B-0107-C (0.65 GPM)	N	N	–	29-1/2" (749 mm)	
B-0131-CR-B	Cerama w/ check valve	B-0107 (1.42 GPM)	B-0109-01 (6")	N	–	29-5/8" (753 mm)	
B-0131-CR-B08C	Cerama w/ check valve	B-0108-C (0.65 GPM)	B-0109-01 (6")	N	–	29-5/8" (753 mm)	
B-0132	Eterna w/ spring check	B-0107 (1.42 GPM)	N	N	–	35-5/8" (905 mm)	18" (457 mm) swivel arm; 32" (823 mm) riser; B-0026-H 26" hose

Add-On Faucet Models:

B-0131-ADF12-BC	Eterna w/ spring check	B-0107-C (0.65 GPM)	B-0109-01 (6")	Y	12" (305 mm)	33-13/16" (858 mm)	
B-0131-ADF14-B	Eterna w/ spring check	B-0107 (1.42 GPM)	B-0109-01 (6")	Y	14" (356 mm)	33-7/8" (860 mm)	





Pre-rinse units with the B-0107 Spray Valve (1.42 GPM) and B-0107-C Ultimate Low-flow Spray Valve (0.65 GPM) comply with EPA Act 2005

- All pre-rinse units are equipped with integral spring checks to prevent cross flow
- Hot Eterna Cartridge – 002712-40 • Cold Eterna Cartridge – 002711-40

B-0131-C Pre-Rinse Unit

- 8" (203 mm) wall-mount faucet (002832-40)
- Eterna cartridges with spring checks
- 29-1/2" (749 mm) high
- 11-5/16" (287 mm) overhang
- 1/2" (13 mm) clearance
- 1/2" NPT female eccentric flanged inlets (00AA)
- 12" (305 mm) overhead swivel arm (002882-40)
- 26" (660 mm) riser (000373-40)
- B-0107-C Ultimate low-flow spray valve
- B-0020-H 20" flexible stainless steel hose
- Finger hook (004R)

Note: Installation Kit sold separately – B-0230-K (1 required, see Parts Kits section, p. G9).



Pre-Rinse Accessories

See complete line of pre-rinse accessories on pages A42-50



B-0107 Spray Valve

1.42 GPM

B-0107-C Spray Valve

0.65 GPM



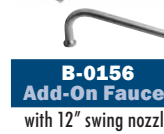
B-0107-J Spray Valve

1.07 GPM



B-0107-035 Spray Valve

1.42 GPM



B-0156 Add-On Faucet
with 12" swing nozzle

Various length swing nozzles available; see Accessories section, p. 3-4

B-0141 Pre-Rinse Unit

- Remote control valve (B-0512)
- 35-5/8" (906 mm) high
- 11-5/16" (287 mm) overhang
- 6-1/2" (165 mm) clearance
- Rigid deck flange (B-0430)
- 1/2" NPSM male shank with 150A tail-piece and nut for 1/4" NPT connections
- 12" (305 mm) overhead swivel arm (002882-40)
- 32" (889 mm) riser (000376-40)
- B-0107 spray valve (1.42 GPM)
- B-0020-H 20" flexible stainless steel hose
- Finger hook (004R)

Note: This unit requires separate check valves.

Check Valves for B-0141

B-CVH3-8 for horizontal or vertical use, 3/8" NPT female
Furnished in rough brass



B-0171 Pre-Rinse Unit

- Single hole deck-mount base faucet with Eterna cartridge
- 18" flexible inlet hoses (compression fittings for 5/8" OD tubing or 1/2" NPSM male thread)
- 39" (991 mm) high
- 11-5/16" (287 mm) overhang
- 9-7/8" (251 mm) clearance
- 12" (305 mm) overhead swivel arm (02882-40)
- 32" (823 mm) riser (000376-40)
- B-0107 spray valve (1.42 GPM)
- B-0020-H 20" flexible stainless steel hose
- Finger hook (004R)
- Mechanical temperature mixing valve with integral check valves

NEW Pre-Rinse Model!

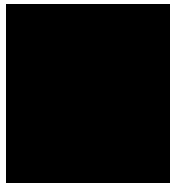
B-0171-01 same as B-0171 except with B-0119 bi-pod support rods wall bracket and 18" (457 mm) swivel arm





Pre-rinse units with the B-0107 Spray Valve (1.42 GPM) comply with EPAct 2005

- All pre-rinse units are equipped with integral spring checks to prevent cross flow
- Hot Eterna Cartridge – 002712-40 • Cold Eterna Cartridge – 002711-40



**B-0114-01
Pre-Rinse Unit**

- Single hole deck-mount base faucet (002824-40)
- 18" flexible inlet hoses (compression fittings for 5/8" O.D. tubing or 1/2" NPSM male thread)
- Fits countertops up to 1-1/2" thick
- 42" (1067 mm) high at normal hanging position
- 21-1/2" (646 mm) overhang at maximum pull down position
- 1" (25 mm) clearance in maximum pull down position
- B-0107 spray valve (1.42 GPM)



B-0114-01B with B-0109-01
6" (152 mm) wall bracket
B-0114-02 35-1/2" (902 mm)
high in normal hanging
position

**B-0134
Pre-Rinse Unit**

- 8" (203 mm) wall-mount faucet (002832-40)
- 1/2" NPT female eccentric flanged inlets (00AA)
- 40" (1016 mm) high at normal hanging position
- 21-1/2" (646 mm) overhang at maximum pull down position
- 1" (25 mm) clearance in maximum pull down position
- B-0107 spray valve (1.42 GPM)



B-0134-B with B-0109-01
6" (152 mm) wall bracket

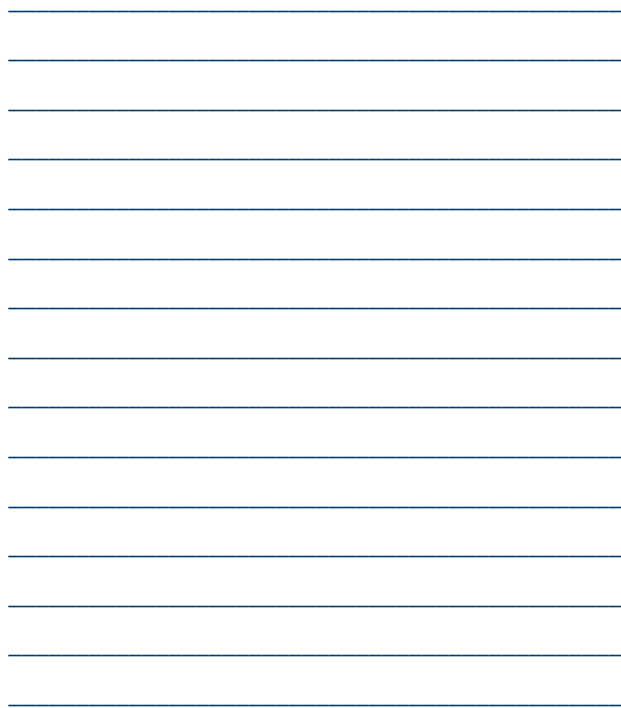
Note: Installation Kit sold separately – B-0230-K (1 required, see Parts Kits section, p. G9).

**B-0124
Pre-Rinse Unit**

- 8" (203 mm) deck-mount faucet (002829-40)
- 1/2" NPT female eccentric flanged inlets (00AA)
- 41" (1041 mm) high at normal hanging position
- 21-1/2" (646 mm) overhang at maximum pull down position
- 2-3/4" (70 mm) clearance in maximum pull down position
- B-0107 spray valve (1.42 GPM)



Note: Supply nipples sold separately – B-0425 (2 required, see Accessories section, p. 18).



Low Flow B-0107-C Spray Valve Pre-Rinse Units



with Overhead Swivel with Balancing Unit



Pre-rinse units with the B-0107-C and B-0107-C35 Angled Low Flow Spray Valves (0.65 GPM) comply with EPA Act 2005

- All pre-rinse units are equipped with integral spring checks to prevent cross flow
- Hot Eterna Cartridge – 002712-40 • Cold Eterna Cartridge – 002711-40



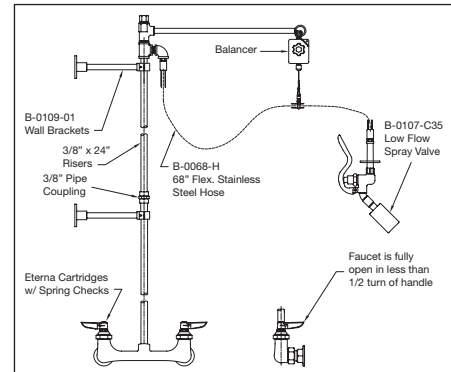
B-0126 Pre-Rinse Unit

- Pre-rinse unit with balancing assembly (005311-40)
- Single hole deck-mount base faucet (002824-40)
- 18" flexible inlet hoses (compression fittings for 5/8" OD tubing or 1/2" NPSM male thread)
- B-0107-C35 35° angled low flow spray valve (0.65 GPM)
- Long reach – 5 ft. (1524 mm) in either direction
- B-0068-H 68" flexible stainless steel hose
- Hose life substantially increased
- Lever handles with color coded indexes
- Two B-0109-01 6" (152 mm) wall brackets
- 55" (1397 mm) high
- 14" (356 mm) clearance (approximate)

Note: Other hose lengths available as modifications; see Accessories section, p. 21.



B-0129



B-0126 Series Pre-Rinse Unit	CARTRIDGE	SPRAY VALVE / GPM	WALL BRACKET	ADD-ON FAUCET	NOZZLE LENGTH	OVERALL HEIGHT	NOTES
B-0126	Eterna w/ spring check	B-0107-C35 (0.65 GPM)	(2) B-0109-01 (6")	N	–	55" (1397 mm)	
B-0126-CR	Cerama w/ check valve	B-0107-C35 (0.65 GPM)	(2) B-0109-01 (6")	N	–	55" (1397 mm)	
B-0126-VB	Eterna w/ spring check	B-0107-C35 (0.65 GPM)	(2) B-0109-01 (6")	N	–	55" (1397 mm)	Includes B-0970-FE vacuum breaker for hose
B-0129	Eterna w/ spring check	B-0107-C35 (0.65 GPM)	(2) B-0109-01 (6")	N	–	52-7/8" (1343 mm)	8" wall-mount base faucet (002832-40); eccentric 00AA inlets; B-0970-FE vacuum breaker for hose; see illus. above
B-0129-VB	Eterna w/ spring check	B-0107-C35 (0.65 GPM)	(2) B-0109-01 (6")	N	–	52-7/8" (1342 mm)	8" wall-mount base faucet (002832-40); eccentric 00AA inlets; B-0970-FE vacuum breaker for hose
B-0130	Eterna w/ spring check	B-1420 with quick-disconnect outlet	(2) B-0109-01 (6")	N	–	52-9/16" (1335 mm)	(002832-40) 8" wall-mount base faucet; B-0970-FE vacuum breaker for hose; B-1420 quick-disconnect outlet for spray accessories B-1424 and B-1428; EPA Act 2005 non-compliant

B-0126-R Retrofit for B-0126

- Retrofit kit
- Pre-rinse unit with balancing assembly (005311-40)
- Provides other pre-rinse units with easy upgrade – 3/8" NPT coupling connects to existing riser
- B-0107-C35 angled low flow spray valve (0.65 GPM)
- 28-5/8" (727 mm) high
- B-0068-H 68" flexible stainless steel hose
- Includes B-0109-01 6" (152 mm) wall bracket

B-0126-VBR with B-0970-FE vacuum breaker hose



Low Flow B-0107-C Spray Valve Pre-Rinse Units

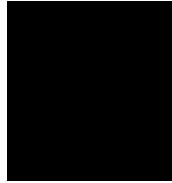


with Overhead Swivel with Balancing Unit



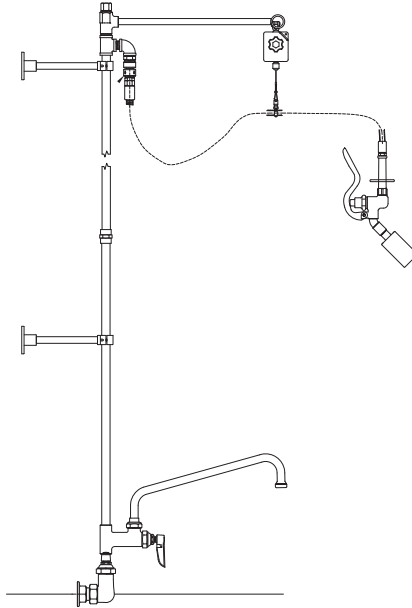
Pre-rinse units with the B-0107-C35 Ultimate Low Flow Spray Valve (0.65 GPM) comply with EPA Act 2005

- All pre-rinse units are equipped with integral spring checks to prevent cross flow
- Hot Cerama Cartridge – 012394-25
- Cold Cerama Cartridge – 012395-25



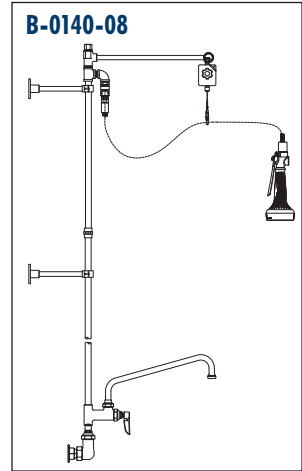
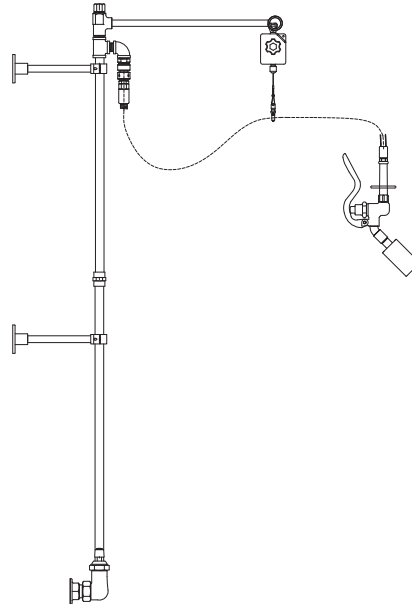
B-0140 Pre-Rinse Unit

- 8" (203 mm) wall-mount faucet with Cerama cartridges with check valves and lever handles
- Balancer assembly with B-0970-FE vacuum breaker
- B-0107-C35 angled low flow spray valve (0.65 GPM)
- B-0068-H 68" flexible stainless steel hose
- B-0156-CR-LN add-on faucet with Cerama cartridge and lever handle and 12" swing nozzle (062X) with B-PT stream regulator
- Two B-0109-01 6" (152 mm) wall brackets
- 18" and 24" risers, 3/8" NPT
- 1/2" NPT female eccentric flanged inlets



B-0140-01 and B-0140-08 Pre-Rinse Units

- 8" (203 mm) wall-mount faucet with Cerama cartridges with check valves and lever handles
- Balancer assembly
- B-0970-FE vacuum breaker
- B-0107-C35 angled low flow spray valve (0.65 GPM)
- B-0068-H 68" flexible stainless steel hose
- Two B-0109-01 6" (152 mm) wall brackets
- 18" and 24" risers, 3/8" NPT
- 1/2" NPT female eccentric flanged inlets



B-0140-08 Same as B-0140-01 except with B-0155-CR-LN with (062X) 12" swivel gooseneck, and B-0108 JeTSpray valve



Big-Flo Pre-Rinse Units



Pre-rinse units with the B-0107 Spray Valve (1.42 GPM) comply with EPAct 2005



A
34

B-0287 Big-Flo Pre-Rinse Unit

EasyInstall

- EasyInstall 8" (203 mm) wall-mount Big-Flo faucet with integral check valves (002840-40CV)
- EasyInstall Big-Flo add-on faucet (B-0286-LNEZ) with 12" (305 mm) Big-Flo swing nozzle (114X)
- 18" (457 mm) riser (000369-40)
- B-0044-H 44" flexible stainless steel hose and B-0107 spray valve (1.42 GPM)
- 3/4" NPT female eccentric flanged inlets (00BB)
- 38-5/16" (981 mm) high
- 14-1/16" (357 mm) overhang
- 9-1/8" (231 mm) clearance from spray valve
- 3/4" NPT short elbows (00LL) included
- Finger hook (004R)

B-0287-427-B Same as B-0287 except with B-0427 inlet supply nipples and 6" (152 mm) wall bracket



BF-0176 Big-Flo Pre-Rinse Unit

- Single hole single temperature faucet
- 1/2" NPT male inlet
- Add-on faucet
- 12" (305 mm) Big-Flo swing nozzle (114X)
- EB-0060-H 60" flexible stainless steel hose
- Angled spray valve (EB-0107-035)

Note: The BF-0176 is EPAct 2005 Non-Compliant

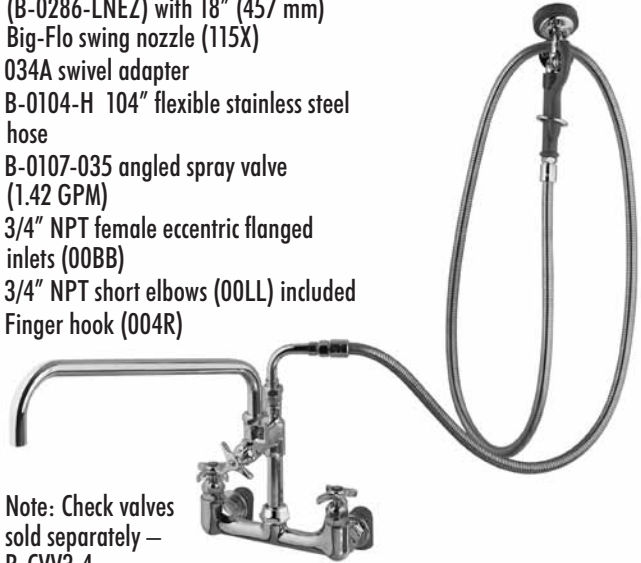


EPAct 2005 Non-Compliant

B-0289 Big-Flo Pre-Rinse Unit

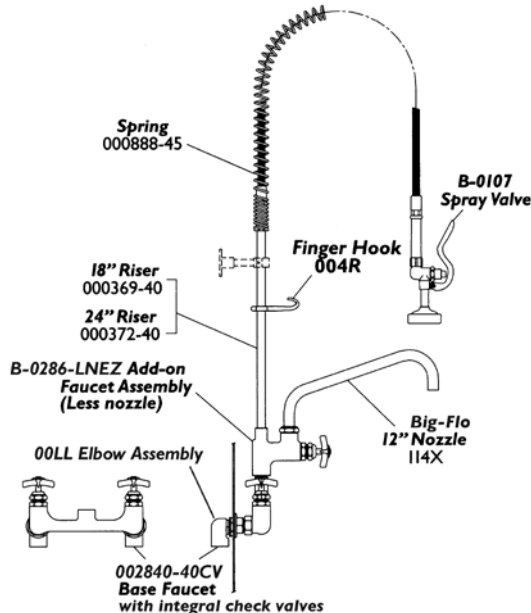
EasyInstall

- EasyInstall 8" (203 mm) wall-mount Big-Flo faucet with integral check valves (002840-40CV)
- Big-Flo cartridges (006482-40)
- EasyInstall Big-Flo add-on faucet (B-0286-LNEZ) with 18" (457 mm) Big-Flo swing nozzle (115X)
- 034A swivel adapter
- B-0104-H 104" flexible stainless steel hose
- B-0107-035 angled spray valve (1.42 GPM)
- 3/4" NPT female eccentric flanged inlets (00BB)
- 3/4" NPT short elbows (00LL) included
- Finger hook (004R)



Note: Check valves sold separately – B-CV3-4

Big-Flo Pre-Rinse Exploded View



T&S Spray Valve Assemblies that comply with EPA Act 2005 include these Spray Valves:

- **B-0107 (1.42 GPM)**
- **B-0107-035 (1.42 GPM)**
- **B-0108 (1.48 GPM)**
- **B-0107-C (0.65 GPM)**
- **B-0107-J (1.07 GPM)**
- **B-0108-C (0.65 GPM)**

This chart includes all T&S Spray Valve Assemblies on pages A36-A37



B-0100 Spray Valve Assembly

Spray Valve Assemblies	SPRAY VALVE / OUTLET / GPM	HOSE / LENGTH	HOSE TYPE	OVERALL LENGTH	NOTES
B-0100	B-0107 (1.42 GPM)	B-0044-H 44"	Flex. stainless steel	49-1/8" (1248 mm)	055A 1/2" NPT male adapter
B-0100-08	B-0108 (1.48 GPM)	B-0044-H2A 44"	Flex. stainless steel	47-7/16" (1205 mm)	055A 1/2" NPT male adapter
B-0100-08C	B-0108-C (0.65 GPM)	B-0044-H2A 44"	Flex. stainless steel	47-7/16" (1205 mm)	055A 1/2" NPT male adapter
B-0100-32H	B-0107 (1.42 GPM)	B-0032-H 32"	Flex. stainless steel	37-1/8" (943 mm)	055A 1/2" NPT male adapter
B-0100-C	B-0107-C (0.65 GPM)	B-0044-H 44"	Flex. stainless steel	50-1/16" (1272 mm)	055A 1/2" NPT male adapter
B-0100-C-SWV	B-0107-C (0.65 GPM)	B-0044-H-SWV 44"	Flex. stainless steel	51" (1295 mm)	018200-40 pre-rinse swivel for 360° rotation; 055A 1/2" NPT male adapter
B-0100-CM	B-0107-C (0.65 GPM)	B-0044-H 44"	Flex. stainless steel	50-1/16" (1272 mm)	Master Box (6)
B-0100-J-SWV	B-0107-J (1.07 GPM)	B-0044-H-SWV 44"	Flex. stainless steel	51" (1295 mm)	018200-40 pre-rinse swivel for 360° rotation; 055A 1/2" NPT male adapter
B-0100-M	B-0107 (1.42 GPM)	B-0044-H 44"	Flex. stainless steel	49-1/8" (1248 mm)	Master carton of 6
B-0100-SWV	B-0107 (1.42 GPM)	B-0044-H-SWV 44"	Flex. stainless steel	50-1/16" (1272 mm)	018200-40 pre-rinse swivel for 360° rotation; 055A 1/2" NPT male adapter
B-0101	002857-40 angle spray valve with rosespray outlet	013E-36H 36"	Flex. stainless steel	41-1/16" (1043 mm)	Push button auto shut-off spray valve; for use with B-KF deck flange; EPA Act 2005 Non-Compliant
B-0101-A	002858-40 angle spray valve with B-0199-02 aerator (2.2 GPM)	013E-36H 36"	Flex. stainless steel	40-3/4" (1035 mm)	For use with B-KF deck flange; EPA Act 2005 Non-Compliant; 055A 1/2" NPT male adapter
B-0101-60H	002857-40 angle spray valve with rosespray outlet	013E-60H 60"	Flex. stainless steel	65-3/16" (1656 mm)	EPA Act 2005 Non-Compliant; 055A 1/2" NPT male adapter
B-0101-E72-053A	002857-40 angle spray valve with rosespray outlet	013E-72H 72"	Flex. stainless steel	77-3/16" (1961 mm)	053A adapter, 3/8" NPT x 3/4-14 UNS; EPA Act 2005 Non-Compliant
B-0106	005963-40 angle spray valve with brush attachment (1.42 GPM)	B-0044-H 44"	Flex. stainless steel	49-1/8" (1248 mm)	Spray valve with BR-10 brush attachment; 055A 1/2" NPT male adapter
B-0950	B-0107-035 angle spray valve (1.42 GPM)	B-0044-H 44"	Flex. stainless steel	49-1/8" (1248 mm)	055A 1/2" NPT male adapter
B-0950-01	B-0107-035 angle spray valve (1.42 GPM)	B-0068-H 68"	Flex. stainless steel	73-1/8" (1857 mm)	055A 1/2" NPT male adapter
B-0950-54H	B-0107-035 angle spray valve (1.42 GPM)	B-0054-H 54"	Flex. stainless steel	59-1/8" (1502 mm)	055A 1/2" NPT male adapter
B-0955	B-0107 (1.42 GPM)	B-0044-R 44"	Reinforced Rubber	48-1/2" (1232 mm)	Rubber hose with internal braid
B-0956	B-0107-035 angle spray valve (1.42 GPM)	B-0044-R 44"	Reinforced Rubber	48" (1219 mm)	Rubber hose with internal braid
B-0957	B-0107 (1.42 GPM)	B-0044-V 44"	Clear Vinyl	48-1/2" (1232 mm)	Clear vinyl hose with internal braid

Spray Valve Assemblies with the B-0107 (1.42 GPM), B-0107-C (0.65 GPM), B-0107-035 (1.42 GPM), B-0107-J (1.07 GPM), B-0108 (1.48 GPM) and B-0108-C (0.65 GPM) Spray Valves comply with EPAct 2005

B-0100-SWV Pre-Rinse Spray Valve Assembly with Swivel

NEW
Pre-Rinse
Model!



NEW model spray valve assembly with SWIVEL and 1.42 GPM – EPAct 2005 compliant

- Includes a swivel (018200-40) at base of handle for 360° rotation capability
- B-0044-H-SWV 44" flexible stainless steel hose
- Designed for heavy-duty use in industrial kitchens
- B-0107 automatic shut-off valve with spray head
- Hold-down ring for continuous spray
- 1/2" NPT male adapter (055A)
- 49-15/16" (1269 mm) overall length of unit

Note: See pages A6-A8 and A49 for more information about the Swivel (018200-45)

B-0100-C Low Flow Pre-Rinse Spray Unit



EPAct 2005 compliant with 0.65 GPM

- Designed for heavy-duty use in industrial kitchens
- Conserves water and saves energy
- B-0107-C Ultimate low flow spray valve with automatic shut-off
- Hold-down ring for continuous spray
- Fan jet with knife action spray
- B-0044-H 44" flexible stainless steel hose
- 1/2" NPT male adapter (055A)
- 50-1/16" (1272 mm) overall length of unit

B-0100-CM Low flow pre-rinse spray Master Box (6)

B-0100-C-SWV Low Flow Pre-Rinse Spray Unit with Swivel

NEW
Pre-Rinse
Model!



EPAct 2005 compliant with SWIVEL and 0.65 GPM

- Includes a swivel (018200-40) at base of handle for 360° rotation capability
- Designed for heavy-duty use in industrial kitchens
- Conserves water and saves energy
- B-0107-C Ultimate low flow spray valve with automatic shut-off
- Hold-down ring for continuous spray
- Fan jet with knife action spray
- B-0044-H-SWV 44" flexible stainless steel hose
- 1/2" NPT male adapter (055A)
- 51" (1295 mm) overall length of unit

Note: See pages A6-A8 and A49 for more information about the Swivel (018200-45)



B-0100-08 JeTSpray Pre-Rinse Spray Unit



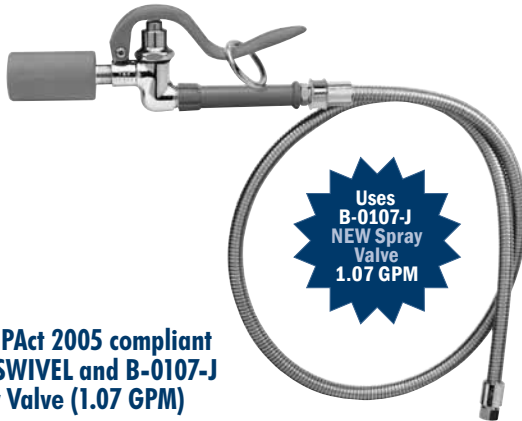
EPAct 2005 compliant with 1.48 GPM

- B-0108 JeTSpray valve
- Forged brass valve body
- Designed for heavy-duty use in industrial kitchens
- Conserves water and saves energy
- Fast action stainless steel trigger with lock for continuous water flow
- Ergonomic design reduces fatigue caused by repetitive tasks
- Retrofits most pre-rinse hoses
- B-0044-H2A 44" flexible stainless steel hose
- 1/2" NPT male adapter (055A)
- 47-7/16" (1205 mm) overall length

B-0100-08C Same as B-0100-08 except with B-0108-C low flow JeTSpray valve (0.65 GPM)

Spray Valve Assemblies with the B-0107 (1.42 GPM), B-0107-C (0.65 GPM), B-0107-035 (1.42 GPM), B-0107-J (1.07 GPM), B-0108 (1.48 GPM) and B-0108-C (0.65 GPM) Spray Valves comply with EPAct 2005

B-0100-J-SWV Low Flow Pre-Rinse Spray Unit with Swivel



Uses
**B-0107-J
NEW Spray
Valve
1.07 GPM**

NEW! EPAct 2005 compliant with SWIVEL and B-0107-J Spray Valve (1.07 GPM)

- Pre-rinse spray assembly with swivel (018200-40) at base of handle for 360° rotation capability
- Consumes 33% less water than other EPAct 2005 compliant valves (at 1.6 GPM)
- Powerful cleaning capability makes pre-rinse tasks easier
- Tough baked-on foods come off faster
- Designed for heavy-duty use in industrial kitchens
- B-0107-J low flow spray valve (1.07 GPM) with automatic shut-off
- Hold-down ring for continuous water flow
- B-0044-H-SWV 44" flexible stainless steel hose with swivel
- 1/2" NPT male adapter (055A)
- 51" (1295 mm) overall length

B-0101 Pre-Rinse Spray with Flexible Stainless Steel Hose



- Non-EPAct 2005 compliant
- Spray valve assembly with rosespray outlet and push button automatic shut-off (002857-40)
- 013E-36H 36" flexible stainless steel hose
- 1/2" NPT male adapter (055A)
- See "Adapter Chart" p. A41 for alternate adapters
- 41-1/16" (1073 mm) overall length

B-0101-60H Same as B-0101 except with 013E-60H 60" stainless steel hose

B-0106 Pre-Rinse Brush Spray Unit



EPAct 2005 compliant with 1.42 GPM

- Simultaneous brush and spray action
- Angle spray valve (005963-40) with automatic shut-off
- Hold-down ring for continuous water flow
- Brush attachment with nylon bristles (BR-10)
- B-0044-H 44" flexible stainless steel hose
- 1/2" NPT male adapter (055A)
- 49-1/8" (1248 mm) overall length of unit

B-0950 Flexible Stainless Steel Hose with Self Closing Spray Valve



EPAct 2005 compliant with 1.42 GPM

- B-0107-035 (1.42 GPM) 35° angle spray valve with automatic shut-off
- Hold-down ring for continuous water flow
- B-0044-H 44" flexible stainless steel hose
- 1/2" NPT male adapter (055A)
- Overall length 49-1/8" (1248 mm) of unit

B-0950-01 Same as B-0950 but with B-0068-H 68" stainless steel hose

B-0950-54H Same as B-0950 but with B-0054-H 54" stainless steel hose

B-0956 Same as B-0950 but with B-0044-R 44" reinforced rubber hose

Spray Valve Assemblies with the B-0107 (1.42 GPM), B-0107-C (0.65 GPM), B-0107-035 (1.42 GPM), B-0107-J (1.07 GPM), B-0108 (1.48 GPM) and B-0108-C (0.65 GPM)
Spray Valves comply with EPAct 2005

B-0105 Spray Assembly and Faucet

EPAct 2005 compliant with 1.42 GPM

- Concealed mixing valve (B-0512) with 3/8" NPT inlets and 3" (76 mm) centers
- Four arm faucet handles (175F) with color coded indexes
- B-0044-H 44" flexible stainless steel hose
- B-0107 spray valve (1.42 GPM)
- Wall hook outlet (B-0104) with 3/8" NPT female inlet



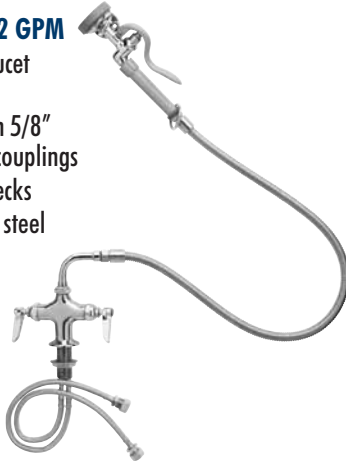
Note: This unit requires separate check valves.

Check Valves for B-0105
 Furnished in rough brass
 B-CVH3-8 for horizontal or vertical use, 3/8" NPT female

B-0160 Deck Mounted Base Faucet

EPAct 2005 compliant with 1.42 GPM

- Single hole deck-mount base faucet (014207-40)
- 18" (457 mm) flexible inlets with 5/8" compression 1/2" NPSM male couplings
- Eterna cartridges with spring checks
- B-0044-H 44" flexible stainless steel hose
- 90° swivel adapter (034A)
- B-0107-035 angle spray valve with automatic shut-off
- Dummy wall hook (B-0104-D) holds hose when not in use



B-0165 Utility Hose and Spray Assembly

EPAct 2005 compliant with 1.42 GPM

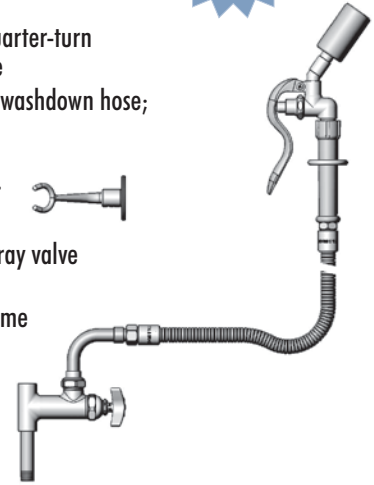
- For use with pre-rinse units
- Diverter valve (B-0155-LN)
- B-0104-H 104" flexible stainless steel hose
- 90° swivel adapter (034A)
- B-0107-035 angle spray valve with automatic shut-off
- Hanger hook to hang hose and spray valve out of the way (B-0166)
- 3/8" NPT male fits standard pre-rinse base faucets
- 9' overall length of hose and spray unit



B-0165-C35-68H Washdown Hose Unit for Pre-Rinse Units

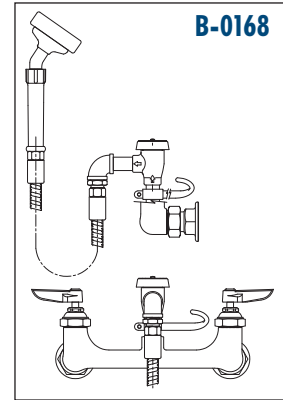


- Includes add-on faucet with quarter-turn cartridge and four-arm handle
- Add-on faucet controls flow to washdown hose; not a full shut-off
- B-0068-H stainless steel hose connects to 90° swivel adapter (034A)
- B-0107-C35 angle low-flow spray valve (0.65 GPM)
- B-0166 hanger hook with chrome plated screws
- 3/8" NPT male inlet fits standard T&S rigid base faucets



B-0167 Spray Unit with Mixing Control Valve

**EPAct 2005
Non-Compliant**



- 8" wall-mount mixing faucet (002832-40)
- EB-0068-H 68" flexible stainless steel hose with blue handle
- EB-0107-035 angle spray valve with automatic shut-off
- Lever handles with color coded indexes
- Finger hook holds hose when not in use (004R)
- Eterna cartridges with spring checks to prevent cross flow of water
- 72" (1829 mm) overall length of hose and spray unit
- Atmospheric vacuum breaker (B-0968)
- 1/2" NPT female eccentric flanged inlets (00AA)

Note: Installation Kit sold separately; order B-0230-K (see Parts Kits section, p. G9).

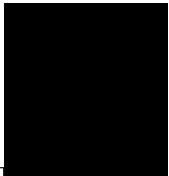
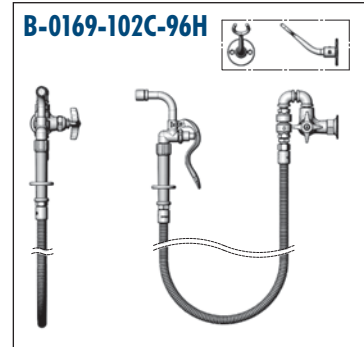
This is an **EPAct 2005 Non-Compliant** spray valve

MODEL	SPRAY VALVE / GPM	HOSE / LENGTH	BASE FAUCET	NOTES
B-0167	EB-0107-035	EB-0068-H 68"	8" wall-mount with Vacuum Breaker	B-0968 atmospheric vacuum breaker; EPAct 2005 Non-Compliant
B-0167-01	B-0107-035 (1.42 GPM)	B-0054-H 54"	8" wall-mount with 90° swivel adapter (034A)	B-0970-01 in-line vacuum breaker; EPAct 2005 Compliant
B-0168	Angle sprayhead w/out self-closing valve (005969-40)	B-0068-H 68"	8" C/C Wall-mount with Vacuum Breaker	EPAct 2005 Compliant

B-0169 Wall Mounted Base Faucet

EPAct 2005 compliant with 1.42 GPM Spray Valve

- Single hole, single temperature wall-mount faucet and vacuum breaker (B-0968)
- Eterna cartridge with four-arm handle and blue color coded index
- B-0068-H 68" flexible stainless steel hose
- B-0107-035 (1.42 GPM) 35° angle spray valve with automatic shut-off
- Finger hook holds hose when not in use (004R)
- 1/2" NPT female inlet



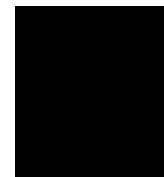
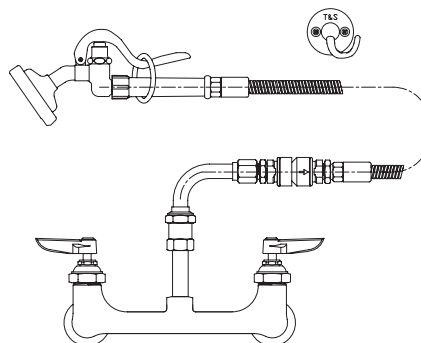
MODEL	SPRAY VALVE / GPM	HOSE / LENGTH	VACUUM BREAKER	NOTES
B-0169	B-0107-035 (1.42 GPM)	B-0068-H 68"	B-0968 3/8" NPT	Finger hook (004R)
B-0169-01	B-0107-035 (1.42 GPM)	B-0096-H 96"	B-0970-FE Inline	B-0166 wall hook
B-0169-102C-96H	(009937-40) 90° spray nozzle with 2.2 GPM aerator	B-0096-H 96"	B-0970-FE Inline	B-0166 wall hook; see illus. above
B-0170	Angle spray head w/out self-closing valve (005969-40)	B-0068-H 68"	B-0968 3/8" NPT	Finger hook (004R)

Faucets and Spray Valve Assemblies using the redesigned B-0107-035 Spray Valve (1.42 GPM) comply with EPAct 2005.

B-0167-HH Wall Mounted Base Faucet

EPAct 2005 compliant with 1.42 GPM Spray Valve

- 8" (203 mm) wall-mount mixing faucet (002832-40)
- Eterna cartridges with spring checks and lever handles with color coded indexes
- B-0044-H 44" flexible stainless steel hose
- 90° swivel adapter (034A)
- B-0107-035 (1.42 GPM) angle spray valve
- B-0970-01 vacuum breaker
- B-0104-D wall hook supplied with two screws
- 1/2" NPT female eccentric flanged inlets (00AA)

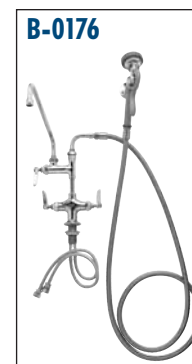


A
40

B-0175 Faucet with Swing Nozzle and Spray Unit

EPAct 2005 compliant with 1.42 GPM Spray Valve

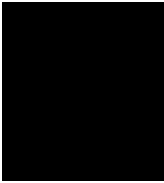
- 8" (203 mm) wall-mount mixing faucet (002832-40)
- Add-on faucet with 12" (305 mm) swing nozzle (062X) and stream regulator outlet
- Eterna cartridges with spring checks and lever handles with color coded indexes
- B-0104-H 104" flexible stainless steel hose
- B-0107-035 (1.42 GPM) 35° angle spray valve with automatic shut-off
- 90° swivel adapter (034A)
- Hanger hook holds hose when not in use (B-0166)
- 108" (2743 mm) overall length of hose and spray unit
- 1/2" NPT female eccentric flanged inlets (00AA)



Note: Use a B-0970-01 when a vacuum breaker is needed.
Installation Kit sold separately; order B-0230-K
(1 required; see Parts Kits section, p. G9).

MODEL	SPRAY VALVE / GPM	HOSE / LENGTH	ADD-ON FAUCET	VACUUM BREAKER	NOTES
B-0175	B-0107-035 (1.42 GPM)	B-0104-H 104"	B-0155-LN w/12" swing nozzle (062X) w/ stream regulator	N	
B-0175-01	B-0107-035 (1.42 GPM)	B-0096-H 96"	B-0155-LN w/ 8" swing nozzle (060X), stream regulator	B-0970-01	Quick-disconnect on hose
B-0175-02	B-0107-035 (1.42 GPM)	B-0096-H 96"	B-0155-LN w/ 8" swing nozzle (060X), stream regulator	B-0970-01	
B-0175-03	B-0107-035 (1.42 GPM)	B-0104-H 104"	B-0155-LN w/ 12" swing nozzle (062X), stream regulator	B-0970-01	
B-0175-CR	B-0107-035 (1.42 GPM)	B-0104-H 104"	B-0155-CR-LN w/ 12" swing nozzle (062X), stream regulator	N	Ceramic cartridges on base faucet and add-on faucet
B-0176	B-0107-035 (1.42 GPM)	B-0104-H 104"	B-0155-LN w/ 12" swing nozzle and B-0199-01 aerator (2.2 GPM)	N	Single hole deck-mount mixing faucet w/ 18" flex. inlets w/ 5/8" compression / 1/2" NPSM male couplings
B-0176-ER	B-0107 (1.42 GPM)	B-0060-H 60"	B-0155-LN w/ 18" swing nozzle (065X), stream regulator	B-0970-01	Single hole deck-mount mixing faucet w/ 18" flex. inlets w/ 5/8" compression / 1/2" NPSM male couplings; optional 10" riser

Spray Valve Assemblies using the redesigned B-0107 Spray Valve (1.42 GPM) comply with EPAct 2005



B-0177 Faucet with Swing Nozzle and Spray Unit



EPAct 2005 compliant with 1.42 GPM Spray Valve

- 8" (203 mm) deck-mount mixing faucet (002829-40)
- Add on faucet with 12" (305 mm) swing nozzle (B-0156)
- B-0080-H 80" flexible stainless steel hose
- Angle spray head attached at end of the hose (005969-40)
- Vacuum breaker (B-0968)
- Manual on-off control to spray head
- B-0104-D wall hook holds hose when not in use
- 1/2" NPT female eccentric flanged inlets (00AA)



Note: Order B-0425 Installation Kit when necessary; (2 required, see Accessories section, p. 18).

B-1410 Flexible Stainless Steel Hose and Quick-Connect Spray Head

EPAct 2005 compliant with 1.42 GPM Spray Valve

- Quick-connect squeeze valve with automatic shut-off (B-1420)
- Quick-connect spray head (B-1421)
- 3" (75 mm) spray pattern at 30" (762 mm) from spray head
- B-0044-H 44" flexible stainless steel hose
- 1/2" NPT male inlet (055A)
- 49-3/4" (1264 mm) overall length of unit



B-1411 Flexible Stainless Steel Hose and Quick-Connect Jet Head

- Quick-connect squeeze valve with automatic shut-off (B-1420)
- 1" (25 mm) diameter spray pattern at 30" (762 mm) from squeeze valve
- Quick-connect jet head (B-1422)
- B-0044-H 44" flexible stainless steel hose
- 1/2" NPT male inlet (see "Adapter Chart," right, for alternate adapters)
- 48" (1219 mm) overall length of unit



EPAct 2005 Non-Compliant

B-0178 Faucet with Swing Nozzle and Spray Unit

EPAct 2005 compliant with 1.42 GPM Spray Valve

- 8" (203 mm) deck-mount base faucet
- Add on faucet with 12" (305 mm) swing nozzle (B-0156)
- B-0020-H 20" flexible stainless steel hose
- B-0107 spray valve
- 1/2" NPT female eccentric flanged inlets (00AA)



Note: Order B-0425 Installation Kit when necessary; (2 required, see Accessories section, p. 18).

B-1412 Flexible Stainless Steel Hose and Quick-Connect Spray Head

- Quick-connect squeeze valve with automatic shut-off (B-1420)
- Quick-connect fan spray head (B-1423)
- B-0044-H 44" flexible stainless steel hose
- Fan spray pattern 8" (203 mm) wide by 3" (76 mm) thick at 30" (762 mm) from squeeze valve
- 1/2" NPT male inlet (see "Adapter Chart" below for alternate adapters)
- 48" (1219 mm) overall length of unit



EPAct 2005 Non-Compliant

Adapter Chart

When specified, these adapters will be provided in place of the 1/2" NPT male adapter normally furnished.

052A	1/4" NPT female
053A	3/8" NPT male (Chicago)
054A	3/8" NPT female
055A	1/2" NPT male
056A	1/2" NPT female
057A	3/4" NPT male
058A	3/4" NPT female
059A	Garden Hose female
172A	1/4" NPT male (Fisher)
098A	Connect two hoses – includes 2 washers (010476-45)

B-1420 Squeeze Valve with Quick-Connect Socket

- Automatic shut-off valve
- Accepts B-1421, B-1422, B-1423, B-1424, B-1425, B-1426, B-1427 and B-1428 outlets
- Valve attaches to flexible stainless steel hoses, reinforced PVC hoses and hose reels
- (012504-40) Blue grip handle with 3/8" NPT female inlet connects to hose reels
- (002881-40) Gray grip handle with 3/8" NPT female inlet connects to hose reels



A
42

B-1421 Quick-Connect Spray Head

EPAAct 2005 compliant with 1.42 GPM

- 3" (76 mm) spray pattern at 30" (762 mm) from spray head
- Spray pattern same as B-0107



B-1423 Fan Spray Quick-Connect

- 8" (203 mm) wide spray pattern by 3" (76 mm) thick at 30" (762 mm) from squeeze valve



B-1425 Nozzle Quick-Connect

- Plain nozzle outlet



B-1427 Rosespray Quick-Connect



B-1422 Jet Quick-Connect

- 1" (25 mm) diameter jet pattern at 30" (762 mm) from squeeze valve



B-1424 Hook Nozzle Quick-Connect

- For filling pots and kettles



B-1426 Aerator Quick-Connect

- 2.2 GPM aerator outlet (B-0199-01)



B-1428 Fan Jet Spray Quick-Disconnect

NEW! With B-0107-C Ultimate low flow spray valve (0.65 GPM)

- EPAAct 2005 compliant
- Spray pattern same as B-0107-C



Quick-Disconnect Coupling Set

B-0452 Quick-Disconnect Coupling Set

- Stainless steel
- 1/4" NPT male plug and 3/8" NPT male socket
- When 1/4" NPT plug is removed from quick-disconnect socket, flow is automatically shut off





B-0108 Series Ergonomic Spray Valves

Is it possible to “reinvent” something as utilitarian as a spray valve? **T&S** has – introducing the revolutionary **B-0108 JeTSpray**, the latest in a series of innovations by **T&S Brass** for the foodservice market.

The **JeTSpray** is a breakthrough answer to pre-rinse tasks, and is packed with features that you’ll love. It’s built for comfort, with a natural contour and sure grip which fits the human hand. The **JeTSpray’s** ergonomic design helps reduce fatigue with repetitive tasks like rinsing dishes.



Its fast rinsing power and **EPA Act 2005 compliance** combine to give you power and efficiency. And the **JeTSpray** has been laboratory tested to over 2 million cycles, demonstrating its heavy-duty capabilities. Its “smart” one-handed lock and unlock feature saves time and makes the user more productive.

Best of all, the **JeTSpray** has the same reliability built into it that all other **T&S Brass** products have. Another innovation for the foodservice plumbing industry – from **T&S Brass**.

- Ergonomic design
- Fast action stainless steel trigger
- Quick change replacement parts
- Smart one-handed trigger lock
- Forged brass body
- Vandal resistant valve cap
- Enhanced maneuverability

- Impact and crush resistant grip
- Heat insulated touch points
- Retrofits most commercial pre-rinse units
- Quick change replacement parts
- Tested at 2 million cycles plus
- Fastest rinsing power in its class
- Removable screen filter

B-0108
JeTSpray Valve
Sprayface
1.48 GPM




B-0108-C
New and Improved
0.65 GPM



B-0108-C
Low Flow JeTSpray Valve
Sprayface
0.65 GPM



B-0108 Models

	B-0108	1.48 GPM
	B-0108-C	0.65 GPM
	B-0108-H*	High-flow option

* The B-0108-H is intended for hose reel applications and other EPA Act 2005 Non-compliant usages.



B-0156 Add-On Faucet for Pre-Rinse Units

- Adds swing nozzle faucet to pre-rinse units
- 12" (152 mm) nozzle (062X)
- Stream regulator outlet (B-PT)
- Quarter-turn Eterna cartridge
- Lever handle
- 3/8" NPT female outlet and 3/8" NPT x 3" nipple for installation on existing rigid outlet base faucets (000358-40)



NEW
Add-On
Faucets!

B-0156

Note: The B-0156 increases the height of a pre-rinse unit by approximately 4-1/4" (108 mm). Different length nozzle furnished upon request – single- or double-jointed. (See Accessories section, p. 3-4)

B-0155-LNEZ and B-0156-EZ EasyInstall Add-On Faucet for Pre-Rinse Units

- -EZ and -LNEZ models include the EasyInstall "pop-and-lock" riser installation feature for quick installation

EasyInstall



B-0155-LNEZ

B-0156-EZ

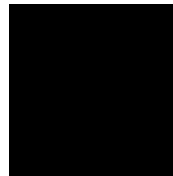





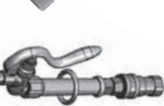




















MODEL	CARTRIDGE	NOZZLE	HEIGHT	CLEARANCE	SPREAD	OUTLET	NOTES
B-0155	Eterna (1/4-turn)	6" Swing Nozzle (059X)	9-5/16"	6-9/16"	6"	B-PT Stream Regulator	
B-0155-01LN	Eterna (1/4-turn)	–	–	–	–	–	
B-0155-05	Eterna (1/4-turn)	6" Swing Nozzle (059X)	11-5/16"	8-9/16"	6"	B-PT Stream Regulator	5" (127 mm) nipple
B-0155-05CR	Cerama (1/4-turn)	6" Swing Nozzle (059X)	11-5/16"	8-9/16"	6"	B-PT Stream Regulator	5" (127 mm) nipple
B-0155-05LN	Eterna (1/4-turn)	–	–	–	–	–	Less nozzle
B-0155-064X	Eterna (1/4-turn)	16" Swing Nozzle (064X)	12-3/4"	10"	16"	B-PT Stream Regulator	
B-0155-CR	Cerama (1/4-turn)	6" Swing Nozzle (059X)	9-5/16"	6-9/16"	6"	B-PT Stream Regulator	
B-0155-CR-LN	Cerama (1/4-turn)	–	–	–	–	–	Less nozzle
B-0155-LN	Eterna (1/4-turn)	–	–	–	–	–	Less nozzle
B-0155-LNEZ	Eterna (1/4-turn)	–	–	–	–	–	EasyInstall Add-on Faucet w/ "pop-n-lock" connection for easy installation on EasyInstall faucets; less nozzle
B-0155-LNM	Eterna (1/4-turn)	–	–	–	–	–	-LN Master carton of 6
B-0155-M	Eterna (1/4-turn)	6" Swing Nozzle (059X)	9-5/16"	9-9/16"	6"	B-PT Stream Regulator	B-0155 Master carton of 6
B-0156	Eterna (1/4-turn)	12" Swing Nozzle (062X)	11-1/4"	8-1/2"	12"	B-PT Stream Regulator	
B-0156-05	Eterna (1/4-turn)	12" Swing Nozzle (062X)	13-1/4"	10-1/2"	12"	B-PT Stream Regulator	5" (127 mm) nipple
B-0156-CR	Cerama (1/4-turn)	12" Swing Nozzle (062X)	11-1/4"	8-1/2"	12"	B-PT Stream Regulator	
B-0156-EZ	Eterna (1/4-turn)	12" Swing Nozzle (062X)	10-11/16"	7-5/16"	12"	B-PT Stream Regulator	EasyInstall Add-on Faucet w/ "pop-n-lock" connection for easy installation on EasyInstall faucets
B-0156-M	Eterna (1/4-turn)	12" Swing Nozzle (062X)	11-1/4"	8-1/2"	12"	B-PT Stream Regulator	
B-0157	Eterna (1/4-turn)	18" Swing Nozzle (065X)	13-1/4"	10-9/16"	18"	B-PT Stream Regulator	
B-0157-05	Eterna (1/4-turn)	18" Swing Nozzle (065X)	15-1/4"	12-9/16"	18"	B-PT Stream Regulator	5" (127 mm) nipple
B-0157-CR	Cerama (1/4-turn)	18" Swing Nozzle (065X)	13-1/4"	10-9/16"	18"	B-PT Stream Regulator	
B-0157-M	Eterna (1/4-turn)	18" Swing Nozzle (065X)	13-1/4"	10-9/16"	18"	B-PT Stream Regulator	
B-0158	Eterna (1/4-turn)	14" Swing Nozzle (063X)	11-15/16"	9-3/16"	14"	B-PT Stream Regulator	
B-0158-CR	Cerama (1/4-turn)	14" Swing Nozzle (063X)	11-15/16"	9-3/16"	14"	B-PT Stream Regulator	

Comparison Chart for T&S Brass Pre-Rinse Spray Valves

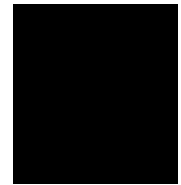


Note: Additional individual model information about these Spray Valves are in this Pre-Rinse Unit section and on the following pages



SPRAY VALVE MODEL	DESCRIPTION	GPM (at 60 PSI)	CLEANABILITY (ASTM F2324)	KEY DIFFERENTIATOR	APPLICATION	SPRAY PATTERN
 B-0107	Spray Valve	1.42	20.7 seconds	The industry standard spray valve with legendary performance and reliability	Designed for heavy use in commercial kitchens. Superior quality and great for most general applications, and backed by decades of trusted satisfaction	
 B-0107-035	35° Angle Spray Valve					
 B-0107-090	90° Angle Spray Valve					
 B-0107-M	B-0107 Master carton (12)					
 B-0107-QD	Quick-disconnect model					
  B-0107-C	Ultimate Low Flow Spray Valve	0.65	20.9 seconds	Lowest flow rate of any commercial brand; is endorsed by the Green Restaurant Association	Rinsing trays and plates without baked-on residue. Choose this spray valve when water and energy conservation are the foremost need, but you want the B-0107 reputation	
 B-0107-C35	Ultimate Low Flow 35° Angle Spray Valve					
 B-0107-C90	Ultimate Low Flow 90° Angle Spray Valve					
 B-0107-CM	Master carton of -C model (12)					
  B-0107-J	NEW! Low Flow Spray Valve	1.07	18 seconds	Powerful cleaning capability; combines time, water and energy savings with a reduction in cleaning times	Clean baked-on or sticky residue while still conserving water. This spray valve saves time, energy and water while cleaning stubborn residue effectively	
 B-0107-J90	NEW! Low Flow 90° Angle Spray Valve					
  B-0108	JeTSpray Ergonomic Spray Valve	1.48	20.9 seconds	Unique ergonomic design and easy lock-down mechanism for reduced user fatigue and eliminated heat transfer	Designed for heavy use in commercial kitchens where employees use for extended periods. Superior quality and great for most general applications, and comfortable and easy to use	
  B-0108-C	JeTSpray Low Flow Ergonomic Spray Valve					
  B-0108-C	JeTSpray Low Flow Ergonomic Spray Valve	0.65	21 seconds	Lowest flow rate and most ergonomic of any commercial brand	Rinsing trays and plates without baked-on residue. Choose this spray valve when you need an ergonomic and ultra-low flow rate and where employees use for extended periods	

Spray Valve Assemblies using the B-0107 Spray Valve (1.42 GPM) and the B-0108 JeTSpray Valve (1.48 GPM) comply with EPA Act 2005



B-0107 Pre-Rinse Spray Valve

EPA Act 2005 compliant with 1.42 GPM

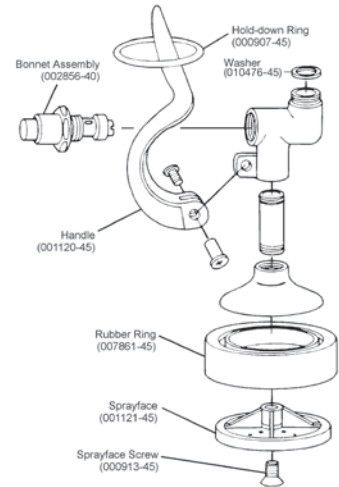
- Connects directly to T&S flexible stainless steel hose with grip handle
- Designed for heavy use in commercial kitchens
- Self-closing cartridge shuts off when handle is released
- Includes hose washer and hold-down ring
- 3/4"-14 UN male thread inlet



DID YOU KNOW?

Over 65 years ago, the T&S Brass **B-0107** was the first spray valve introduced to the foodservice plumbing market

B-0107 Spray Valve Exploded View



B-0107-M Master Box of (12)

B-0107-035 Pre-Rinse Spray Valve

EPA Act 2005 compliant with 1.42 GPM

- 35° angle spray valve head
- Connects directly to T&S flexible stainless steel hose with grip handle
- Designed for heavy use in commercial kitchens
- Self-closing cartridge shuts off when handle is released
- Includes hose washer and hold-down ring
- 3/4"-14 UN male thread inlet



B-0107-090 Pre-Rinse Spray Valve

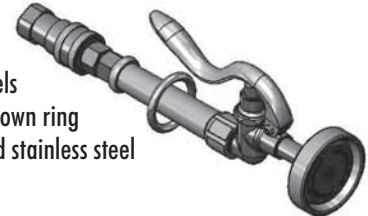
EPA Act 2005 compliant with 1.42 GPM

- 90° angle spray valve head
- Connects directly to T&S flexible stainless steel hose with grip handle
- Designed for heavy use in commercial kitchens
- Self-closing cartridge shuts off when handle is released
- Includes hose washer and hold-down ring
- 3/4"-14 UN male thread inlet

B-0107-QD Pre-Rinse Spray Valve

EPA Act 2005 compliant with 1.42 GPM

- Pre-rinse spray valve with quick-disconnect
- Connects directly to T&S hose reels
- Includes hose washer and hold-down ring
- Includes handle (002881-40) and stainless steel quick-disconnect (AW-5B)
- 3/8" NPT female inlet
- Requires (017960-25) adapter to connect to T&S hoses with 7/8"-20 UN female ends (sold separately)



B-0108 JeTSpray Pre-Rinse Spray Valve

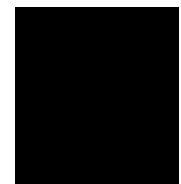


EPA Act 2005 compliant with 1.48 GPM

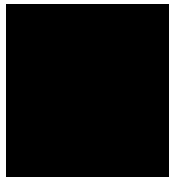
- Forged brass valve body – fast action stainless steel trigger
- Ergonomic design helps reduce fatigue caused by repetitive tasks
- Heat insulated touch points on handle with crush resistant grip
- Vandal resistant valve cap
- Tested to two million cycles plus
- Smart one-handed trigger lock
- Removable screen filter
- Quick change replacement parts
- Ergonomic design provides comfort for long periods of use
- 7/8"-20 UN male thread inlet
- Connects to T&S "-H2A" hose assemblies (without grip handle)



B-0108 Sprayface



Pre-Rinse Units using the **B-0107-C Ultimate Low Flow Spray Valve (0.65 GPM)**, the **B-0108-C JetSpray Valve (0.65 GPM)** and **B-0107-J (1.07 GPM)** comply with EPA Act 2005



B-0107-C Ultimate Low Flow Spray Valve

EPA Act 2005 Compliant Ultimate low flow spray valve with 0.65 GPM

- High performance fan jet with knife action spray
- Can be used with any T&S pre-rinse assembly instead of B-0107 spray valve
- Significantly saves water and energy
- 3/4-14 UN male thread inlet



B-0107-CM Low flow spray valve Master Box (12)

B-0107-C35 Low Flow Spray Valve

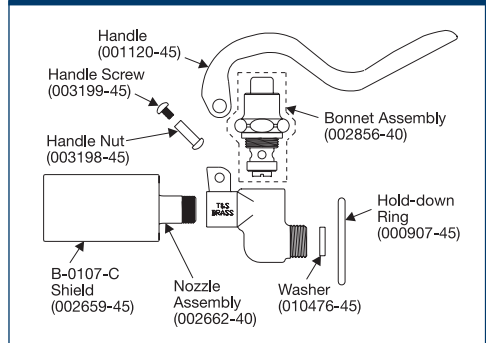
EPA Act 2005 Compliant with 0.65 GPM

- B-0107-C with 35° angle spray valve head
- Fan jet with knife action spray
- Can be used with any T&S pre-rinse assembly instead of B-0107
- Conserves water and saves energy
- 3/4-14 UN male thread inlet



B-0107-C90 Same as B-0107-C35 except with 90° angle spray valve

B-0107-C Exploded Spray Valve

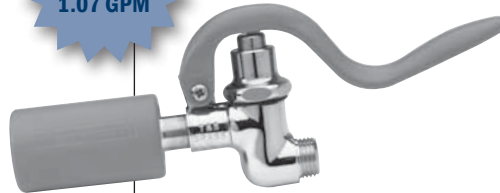


A 47

B-0107-J Low Flow Spray Valve

NEW! EPA Act 2005 Compliant with 1.07 GPM

- Consumes 33% less water than other EPA Act 2005 compliant valves (at 1.6 GPM)
- Powerful cleaning capability makes pre-rinse tasks easier
- Fan jet with knife action spray
- Tough baked-on foods come off faster
- Can be used with any T&S pre-rinse assembly
- Conserves water and saves energy
- 3/4-14 UN male thread inlet



B-0107-J90 Low flow 90° angle spray valve

B-0108-C JetSpray Low Flow Spray Valve

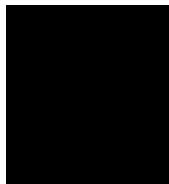
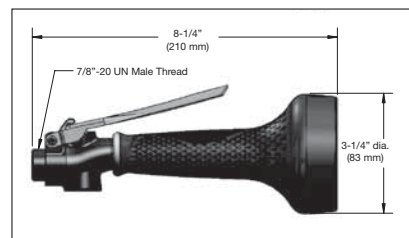


EPA Act 2005 compliant with 0.65 GPM

- Forged brass valve body – fast action stainless steel trigger
- Ergonomic design helps reduce fatigue caused by repetitive tasks
- Retrofits most commercial pre-rinse units and hoses
- Heat insulated touch points on handle with crush resistant grip
- Vandal resistant valve cap
- Tested to two million cycles plus
- Smart one-handed trigger lock
- Removable screen filter
- Quick change replacement parts
- Ergonomic design provides low flow and comfort for long periods of use
- 7/8-20 UN male thread inlet
- Connects to T&S “-H2A” hose assemblies (without grip handle)



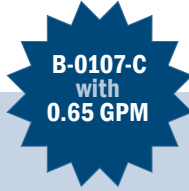
B-0108-C Sprayface





Pre-Rinse Units using the B-0107-C Low Flow Spray Valve (0.65 GPM) or the B-0108-C Low Flow JetSpray Valve (0.65 GPM) can save you up to 100,000+ gallons of water a year!

Water and Energy Conservation Comparison Chart
Federal Limit vs. B-0107 and B-0107-C Spray Valves



Water Conservation

Assumptions:

- 1. Any pre-rinse unit used: 300 minutes (5 hours)/day x 360 days = **108,000 min/year**
- 2. Water supplied at 60 PSI: **B-0107** flows 1.42 GPM, 140°F
B-0107-C flows 0.65 GPM, 140°F, **saving 0.77 GPM**

The Federal Limit on spray valves is 1.60 GPM at 60 PSI

Compared to the Federal Limit GPM, using the **B-0107** saves **0.18 GPM** while the **B-0107-C** saves **0.95 GPM**

Water savings per year using the B-0107:

$108,000 \text{ min/year} \times 0.18 \text{ GPM} = \mathbf{19,400 \text{ gal/year SAVED}}$

Water savings per year using the B-0107-C:

$108,000 \text{ min/year} \times 0.95 \text{ GPM} = \mathbf{102,600 \text{ gal/year SAVED}}$

Energy Conservation

Assumptions:

- 1. Inlet at 65°F, outlet at 140°F

Energy Savings per year (using B-0107-C vs. Federal Limit):

- Electric Water Heater** (90% efficiency): **9,921 KWH/year**
- Natural Gas Water Heater** (80% efficiency): **379 Therms/year**
- Fuel Oil Water Heater** (80% efficiency): **460 gal oil/year**

Total Cost Savings Per Year –
Using B-0107-C vs. Federal Limit

Electric Water Heater: (at 0.16 dollars/KWH)
\$1587/year

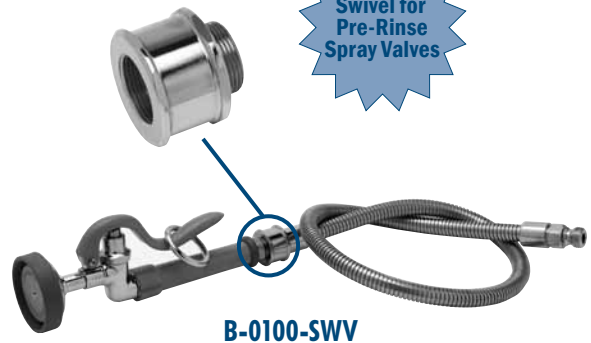
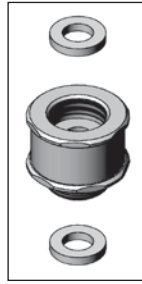
Natural Gas Water Heater: (at .78 dollars Therm)
\$295/year

Fuel Oil Water Heater: (at 2.35 dollars/gal Oil)
\$1081/year

Lined area for additional information or calculations.

018200-40 Swivel For Pre-Rinse Spray Valves

- Includes: (1) 7/8-20 UN female and male swivel
(2) replacement seals
- Allows a 360° range of rotation and motion while using spray valves, reducing user fatigue
- Retrofit between hose handle and spray body
- Makes spray valve assemblies more ergonomic
- Available for use with any T&S pre-rinse spray valve
 - For B-0108 series spray valves – install the swivel directly between the hose and spray valve
 - For B-0107 series spray valves – install the swivel between the hose and grip handle



B-0100-SWV

B-0104 Wall Hook Outlet

- Wall mounted hose connection with flange
- 3/8" NPT female inlet
- 3/4"-14 male hose thread on outlet

B-0104-A Same as B-0104 except outlet is 3/8" NPT male



B-0104-D Dummy Wall Hook

- Attaches to wall with screws (furnished)
- Flange diameter 2" (51 mm)
- No inlet connection



B-0109-01 Wall Bracket

- 6" (152 mm) wall bracket (-B models)
- Fits 3/8" pre-rinse risers
- Adjustable length by field cutting unthreaded end of pipe



B-0109-01M Master Box (12)
B-0109-01VR 6" Vandal-resistant wall bracket assembly with vandal-resistant mounting hardware
B-0109-02 9" (229 mm)
B-0109-03 12" (305 mm)
B-0109-03VR 12" Vandal-resistant wall bracket assembly with vandal-resistant mounting hardware

B-0109-04 18" (457 mm)
B-0109-05 24" (610 mm)
B-0109-06 3" (76 mm)
B-0109-07 2-3/8" (60 mm)
B-0110 Same as B-0109-01 except fits 1/2" riser
B-0159 Fits 3/4" NPT risers

B-0119 Riser Support

- "Bi-pod" clamp assembly
- For use where no walls are available for 3/8" riser support



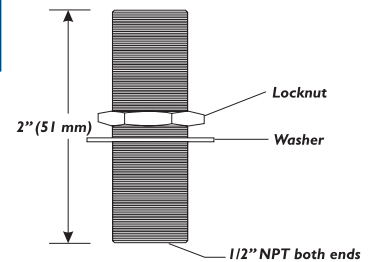
B-0166 Dummy Wall Hook

- Attaches to wall with screws (furnished)
- Flange diameter 2" (51 mm)
- No inlet connection



B-0425 1/2" Supply Nipple

B-0425-M Master Box (2)

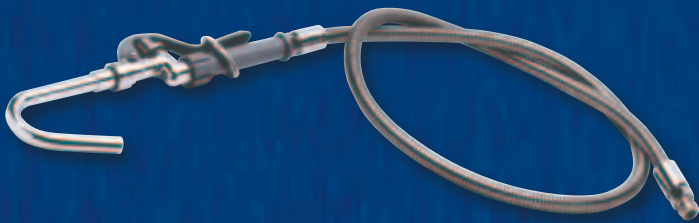


Other Supply Nipples:

Supply Nipple	Length
3/8" B-0428	2-1/8" (54 mm)
B-0429	3-3/8" (86 mm)
1/2" B-0425	2" (51 mm)
B-0426	3-3/8" (86 mm)
3/4" B-0427	2-1/2" (64 mm)

These red brass supply nipples have tapered pipe threads on each end and a running thread between. They are used on faucets with female inlets to make up tightly to vertical or horizontal surfaces. Washer and nut included.

B Pot, Kettle and Glass Fillers



RELIABILITY BUILT IN™



G-11 General Product Catalog

Table of Contents



RELIABILITY BUILT IN™

Pot, Kettle and Glass Fillers – B

**INTRODUCTORY PAGES
NEW FEATURED T&S PRODUCTS**

- Glass Fillers and Water Stations with Water Filtration B3-4

NEW! Glass Fillers and Water Stations with Water Filtration **B3-6**

- Glass Fillers/Water Stations with Water Filtration B3-5
- Water Filtration Components B3-6

Pot and Kettle Fillers, Glass Fillers, Range Faucets and Pot Fillers **B6-16**

- Glass Fillers B6-8
- Pot, Kettle and Glass Fillers B9
- Dipperwell Faucets B10
- Elevated Kettle Filling Faucets B10-11
- “Wok Wand” Faucets B12
- NEW!** Range Faucets and Pot Fillers B12-16
- NEW!** Heat-resistant Range Faucet Accessory B15
- Other Pot Filler and Spray Assemblies B17

Kettle Kaddy Spray Stanchions **B16-17**

Big-Flo Faucets **B18-20**

- Big-Flo Faucets for stand alone, pre-rinse, vandal-resistant or retrofit B18-20
- Add-ons – Pantry and Mixing Faucets, Double-Joint Nozzles and Spouts B20
- Big-Flo Faucets – Flow Rates B19, 20

TIP Find this section’s Parts and Repair Kits in the *new Parts Kits* section (G).
Find Hoses and other accessories for the models in this section in the *new Accessories* section (ACS).



NOTE:
A comprehensive *Index By Model or Part Number and Page* can be found in the **G-11 General Product Catalog Master Index** section (IN).

? Can’t find the T&S product you’re looking for?
Please visit www.tsbrass.com for a complete product listing.



RELIABILITY BUILT IN™

Tap Into T&S and Everpure's NEW Tap Water Filtration Solution

Your Assurance Of Serving the Best Tap Water

Why take a chance on serving tap water that does not meet your customer's expectations?

Tap water is one of the fastest-growing beverage orders in U.S. restaurants. Tap water orders currently make up to 8% of the 50 billion servings of beverages ordered in restaurants.¹ People today are more aware of the importance of drinking water in their daily lives, so the demand for high-quality tap water is increasing.

When customers order tap water, they expect it to be good-tasting, odor-free and contaminant-free. It is truly a clear reflection of the perceived cleanliness of one's restaurant or facility.

In response to this growing trend, **T&S Brass**, a leading manufacturer of foodservice plumbing products, and **Everpure**, the best-known name in water filtration systems around the world, are partnering to offer an optimal solution for serving great-tasting and safe tap water to your clientele.

We are now offering T&S glass fillers, bubblers and water stations with Everpure water filtration systems.

Besides restaurants and foodservice locales, hydration stations are becoming more and more available in public places. The reuse of personal water bottles is a growing trend; therefore the need for good-tasting tap water is a necessity.



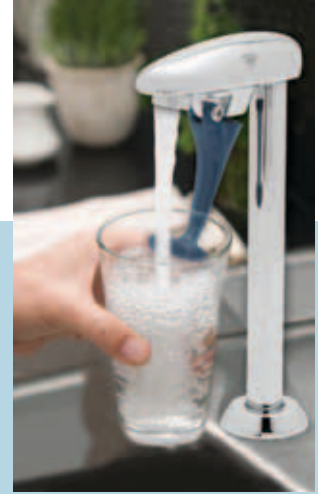
Everpure's replaceable filter cartridge (B-WFC, left) and the docking station (B-WFDS, above)



Also, "green-minded" customers who opt for tap water are aware they are helping to reduce the environmental impact by not ordering bottled water.

Check out our **T&S/Everpure water filtration models** on pages B4-6.

"When customers receive good-tasting, odor-free and contaminant-free tap water, it is a clear reflection of the perceived cleanliness of your restaurant or facility."



B-1210-WFK glass filler model with water filtration system

Demand for serving good-tasting Filtered Tap Water is trending up in restaurants and other public places:

- Hydration stations
- Convenience stores
- Recreational facilities
- Outdoor activity centers
- Schools and churches
- Exercise studios/fitness centers
- Hospitals
- Airports and cruise ships

Additional benefits of serving the best Filtered Tap Water:

- It's more environmentally responsible than bottled water
- "Green" practices will save money for your restaurant



¹ Source URL <http://nrm.com/archive/customers-turn-tap-water-restaurants>

Deck Mount Pedestal Glass Fillers and Water Stations with Water Filtration

These three glass filler models include water filtration (see drawing below):

B-1210-WFK

- 8" height from base of flange to outlet

B-1210-01-WFK

- 10" height from base of flange to outlet

B-1210-12-WFK

- 12" height from base of flange to outlet



B-1230-WFK Water Station with Water Filtration

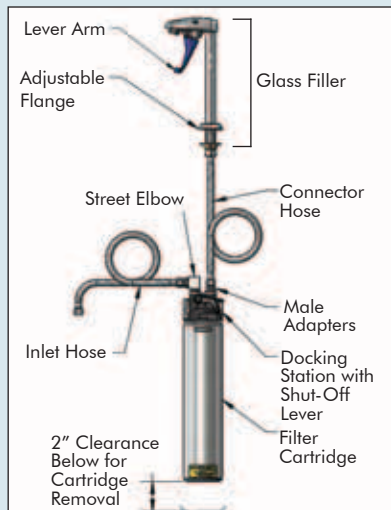
This complete solution includes pedestal glass filler, stainless steel drip pan, grid, drain and water filtration kit with supply lines



Glass Filler/Water Filtration Components

B-1210-WFK

This drawing illustrates a Glass Filler with Water Filtration components. See the B-WFK for individual parts included in Water Filtration models.



FEATURES

B-WFDS Docking Station

- Includes integral shut-off valve for easy cartridge replacement
- Includes mounting bracket and screws
- Engineered for durability, strength and longevity in foodservice applications
- Will not corrode
- Wetted parts pass NSF extraction tests
- Inlet-outlet size: 3/8" NPT female
- Accepts B-WFC water filter cartridge



B-WFDS

B-WFC Water Filter Cartridge

- Balanced cartridge for optimum performance in varying water conditions
- 15,000 gallon capacity
- 0.5 micron rating
- Reduces chlorine taste and odor
- NSF certified under NSF/ANSI standards 42 and 53



B-WFC

B-WFK Water Filtration Starter Kit

Includes docking station (B-WFDS), cartridge (B-WFC) and all necessary installation components:



- (1) 3/8" street elbow (148X)
- (2) 3/8" NPT x 3/8" compression male adapters (006101-45)
- (1) 20" stainless steel braided inlet hose 3/8" compression female (013146-45)
- (1) 18" stainless steel braided connector hose 3/8" compression female x 1 1/2" NPSM (5EF-0005)
- (2) mounting screws

Additional technical information and model specs available online at www.tsbrass.com





Glass Fillers with Water Filtration

NEW! T&S Glass Fillers and Water Stations with Everpure water filtration system

- Provides filtered tap water to ensure good-tasting, odor-free and contaminant-free water is served in your facility

B-1210-WFK Glass Filler with Water Filtration



B-1230-WFK Water Station with Water Filtration

Glass Filler:

- B-1210 countertop mounted push back glass filler, with 2" dia. (51 mm) adjustable flange at base of pedestal
- 8" (203 mm) high from base of flange to outlet
- Torx key adjustable flow outlet
- Dark blue push back arm
- Instantaneous shut-off
- Mounted height: 9-5/16" (236 mm)



Water Filtration:

Includes B-WFK docking station, filter cartridge and all necessary installation components:

- (1) 3/8" street elbow (148X)
- (2) 3/8" NPT x 3/8" compression male adapters (006101-45)
- (1) 20" stainless steel braided inlet hose 3/8" compression (013146-45)
- (1) 18" stainless steel braided connector hose 3/8" compression x 1/2" NPSM (5EF-0005)
- (2) mounting screws



B-WFK

Water Station:

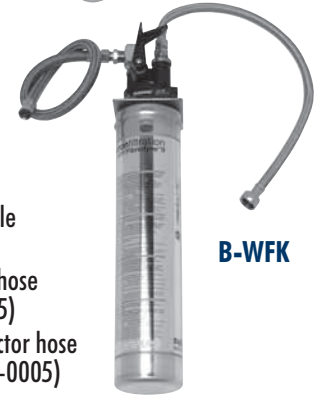
- B-1230 water station with B-1210 countertop mounted push-back pedestal glass filler with 2" dia. (51 mm) adjustable flange at base of pedestal
- 8" (203 mm) high from base of flange to outlet
- Torx key adjustable flow outlet
- Dark blue push back arm
- Instantaneous shut-off
- Mounted height: 9-5/16" (236 mm)
- Stainless steel drip pan (010123-45)
- Drip pan grid (183F)
- Drip pan drain with 1-1/4" dia. (32 mm) tailpiece (010126-45)



Water Filtration:

Includes B-WFK docking station, filter cartridge and all necessary installation components:

- (1) 3/8" street elbow (148X)
- (2) 3/8" NPT x 3/8" compression male adapters (006101-45)
- (1) 20" stainless steel braided inlet hose 3/8" compression female (013146-45)
- (1) 18" stainless steel braided connector hose 3/8" compression x 1/2" NPSM (5EF-0005)
- (2) mounting screws

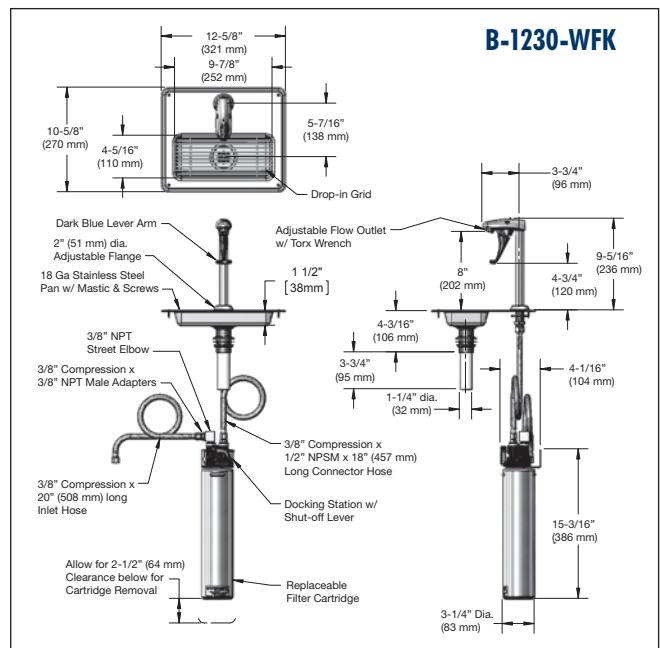
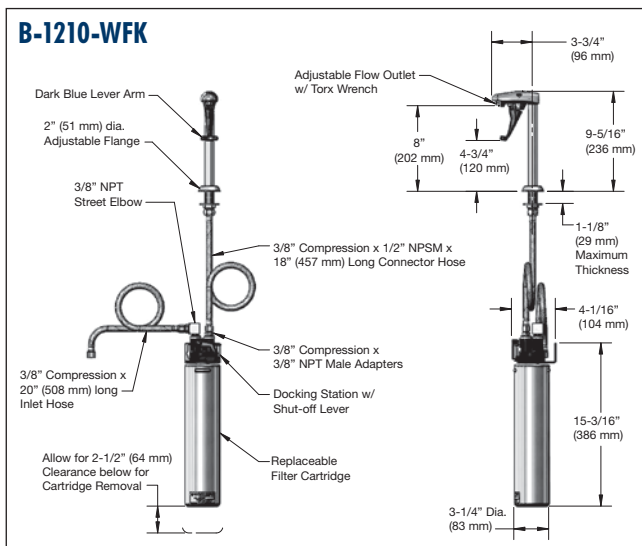


B-WFK

**B
5**

B-1210-01-WFK Same as B-1210-WFK except with 10" (254 mm) pedestal height

B-1210-12-WFK Same as B-1210-WFK except with 12" (305 mm) pedestal height



Water Filtration Components

NEW! T&S Glass Fillers and Water Stations with Everpure water filtration system

- Provides filtered tap water to ensure good-tasting, odor-free and contaminant-free water is served in your facility



B-WFDS Water Filtration Docking Station

- Includes integral shut-off valve for easy cartridge replacement
- Includes mounting bracket and screws
- Engineered for durability, strength and longevity in foodservice applications
- Will not corrode
- Wetted parts pass NSF extraction tests
- Inlet-outlet size: 3/8" NPT female
- Accepts B-WFC water filter cartridge
- Change cartridges on a regular 6-month preventative maintenance program
- Change cartridges when capacity is reached or when pressure decreases
- Always flush the filter cartridge at time of installation and cartridge change



B-WFC Water Filtration Cartridge

- Balanced cartridge for optimum performance in varying water conditions
- 15,000 gallon capacity
- 0.5 micron rating
- Reduces chlorine taste and odor
- NSF certified under NSF/ANSI standards 42 and 53
- Maximum flow rate: 2.5 GPM (9.5 LPM)
- Pressure requirements: 10 - 125 PSI, non-shock
- Temperature: 35 - 100° F (2 - 38° C)



B
6

B-WFK Water Filtration Starter Kit

Includes a B-WFDS docking station, B-WFC filter cartridge and all necessary installation components:

- (1) 3/8" street elbow(148X)
- (2) 3/8" NPT x 3/8" compression male adapters (006101-45)
- (1) 20" stainless steel braided inlet hose 3/8" compression female (013146-45)
- (1) 18" stainless steel braided connector hose 3/8" compression female x 1/2" NPSM (5EF-0005)
- (2) mounting screws



**B-1210-WFK
Glass Filler
model with
water filtration
system**



Glass Fillers

B-1200 Push Back Glass Filler

- Wall mounted, 3/8" NPT female inlet
- 2" dia. (51 mm) adjustable slip flange
- Torx key adjustable flow outlet
- 5-3/16" (131 mm) from front of filler to wall
- Dark blue push back arm
- Instantaneous shut-off



B-1200-M Master Box (12)

B-1201 Same as B-1200 except without adjustable flange; 4-3/8" from front of filler to wall

B-1202 Push Back Glass Filler

Same as B-1200 except:

- Extended 3-3/4" (95 mm) nipple with 1/4" NPT male tailpiece for 1/4" sweat connection
- Use for mounting on ice cabinets up to 2-1/4" (57 mm) thick





Glass Fillers

All T&S Glass Fillers have:

- A dark blue actuation lever arm that allows for easy filling of pitchers and styrofoam cups
- Easy adjustment of flow control on torx key flow outlet



B-1210 Pedestal Push Back Single Glass Filler

- Countertop mounted glass filler
- 2" dia. (51 mm) adjustable flange on shank of pedestal
- 1/2" NPT male shank
- 8" (203 mm) base of flange to outlet
- Mounted height: 9-5/16" (236 mm)
- Torx key adjustable flow outlet
- Dark blue push back arm
- Instantaneous shut-off



- B-1210-01** Same as B-1210 except base of flange to outlet is 10" (254 mm)
- B-1210-01M** Master Box (6)
- B-1210-M** Master Box (6)
- B-1210-12** Same as B-1210 except base of flange to outlet is 12" (305 mm)
- B-1211** Same as B-1210 except base of flange to outlet is 4" (101 mm)

B-1205 Push Back Glass Filler

- Wall-mount with 3/8" NPT male inlet
- Torx key adjustable flow outlet
- 4-3/8" (111 mm) from front of filler to wall
- Dark blue push back arm
- Instantaneous shut-off



- B-1204** Same as B-1205 except with 1/2" NPT male inlet
- B-1205-M** Master Box (12)

B-1215 Pedestal Push Back Double Glass Filler

- Countertop mounted double glass filler
- 2" dia. (51 mm) adjustable flange on shank of pedestal
- 1/2" NPT male shank
- 8-1/4" (209 mm) base of flange to outlet
- Torx key adjustable flow outlet
- Valves mounted 180° opposite
- (2) Dark blue push back arms
- Instantaneous shut-off



B-1220 Pedestal Push Back Glass Filler, Female Inlet

- Countertop mounted glass filler
- 2" dia. (51 mm) deck flange
- 3/8" NPT female inlet
- Designed especially for mounting on electric water coolers
- 8" (204 mm) base of flange to outlet
- Torx key adjustable flow outlet
- Dark blue push back arm
- Instantaneous shut-off



- B-1222** Same as B-1220 except inlet is 1/2" NPT female

Glass Fillers



All T&S Glass Fillers have:

- A dark blue actuation lever arm that allows for easy filling of pitchers and styrofoam cups
- Easy adjustment of flow control on torx key flow outlet

B-1225

Combination Glass and Pitcher Filler

- Dual purpose unit – glass filler for glasses, and 6" (152 mm) swing nozzle for pitchers (059X)
- 2" dia. (51 mm) adjustable flange on shank of pedestal
- 1/2" NPT male shank
- 8-11/16" (220 mm) base of flange to outlet
- 15-1/4" (387 mm) base of flange to outlet of pitcher filler
- 4-arm handle for water flow to gooseneck (175FC)
- Torx key adjustable flow outlet on glass filler
- Dark blue push back arm
- Instantaneous shut-off on glass filler



B-1230

Water Station

- 10-5/8" (270 mm) x 12-5/8" (321 mm) stainless steel drip pan with drop-in grid
- B-1210 push back glass filler with 7-3/4" (197 mm) clearance from tip to pan (other heights available on request)
- Coupling nut and 1/4" (6 mm) sweat tailpiece for copper tube connection
- 2-1/4" diameter grid drain
- Drain 1-1/4" x 3-3/4" long, 17 gauge tailpiece



B-1230-12 Same as B-1230 except with 12" (305 mm) outlet height from top of pan

B-1231 Stainless steel drip pan, drop-in grid and drain

B
8

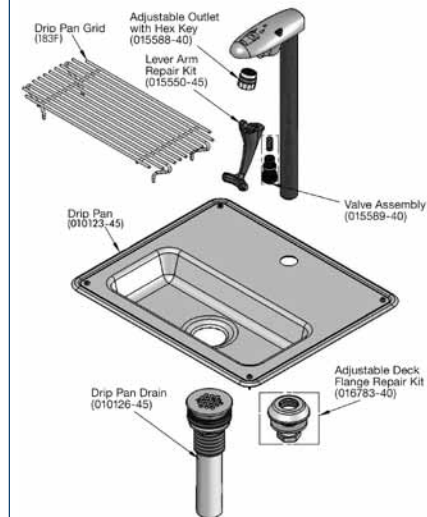
B-1235

Water Station with Splash Guard

- Same as B-1230 except with 6" (152 mm) high splash guard around back and sides to prevent excess water from splashing surrounding areas



B-1230 Water Station Explosion



B-1240

Stainless Steel Drip Pan and Pedal Valve Control

- B-0507 single pedal floor mount foot valve with 1/2" NPT inlet and outlet
- B-1231 stainless steel drip pan assembly
- 5-1/2" (140 mm) rigid dummy gooseneck (124X) with 1/2" NPSM male shank
- 8-15/16" (222 mm) from tip of nozzle to pan
- Tailpiece and nut for 1/4" NPT connection included (150A)



Adapter Chart

When specified, these adapters will be provided in place of the 1/2" NPT male adapter normally furnished.

052A	1/4" NPT female
053A	3/8" NPT male (Chicago)
054A	3/8" NPT female
055A	1/2" NPT male
056A	1/2" NPT female
057A	3/4" NPT male
058A	3/4" NPT female
059A	Garden Hose female
172A	1/4" NPT male (Fisher)
098A	Connect two hoses

Pot, Kettle and Glass Fillers

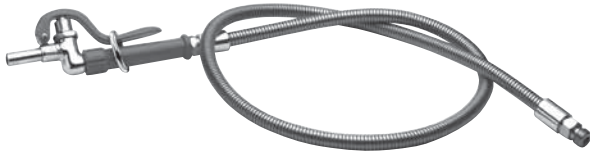
B-0102 Pot and Glass Filler

- Automatic shut-off valve with 90° plain end curved nozzle (002866-40)
- Hold-down ring for continuous flow of water
- B-0068-H 68" flexible stainless steel hose
- 73-5/16" (1862 mm) overall length
- 1/2" NPT male adapter (055A)



B-0102-B Pot and Glass Filler

- Same as B-0102, but with straight nozzle (002864-40)
- Hold-down ring for continuous flow of water
- 72-7/16" (1861 mm) overall length
- 1/2" NPT male adapter (055A)



B-0107-A Filler Valve Unit

- Automatic shut-off valve with straight nozzle and 2.2 GPM aerator (B-0199-01)
- Hold-down ring for continuous flow of water (not shown)
- 3/4-14 UN male threads
- Not rated for commercial warewashing



B-1413 Pot and Kettle Filler

- Squeeze valve with quick-connect socket and automatic shut-off valve (B-1420)
- Quick connect hook nozzle (B-1424)
- Hold-down ring for continuous flow of water
- B-0068-H 68" flexible stainless steel hose
- 76-5/16" (1938 mm) overall length of unit
- 1/2" NPT male inlet adapter (055A)



B-0102-A Pot Filler Hose Assembly

- Automatic shut-off valve with plain end hook nozzle for use on large pots and steam kettles (002851-40)
- Hold-down ring for continuous flow of water
- B-0068-H 68" flexible stainless steel hose
- 75-1/2" (1918 mm) overall length
- 1/2" NPT male adapter



B-0102-C Pot and Glass Filler with Aerator

- Same as B-0102, but with B-0199-01 2.2 GPM aerator outlet (009937-40)
- Hold-down ring for continuous flow of water
- 73-5/16" (1863 mm) overall length
- 1/2" NPT male adapter (055A)

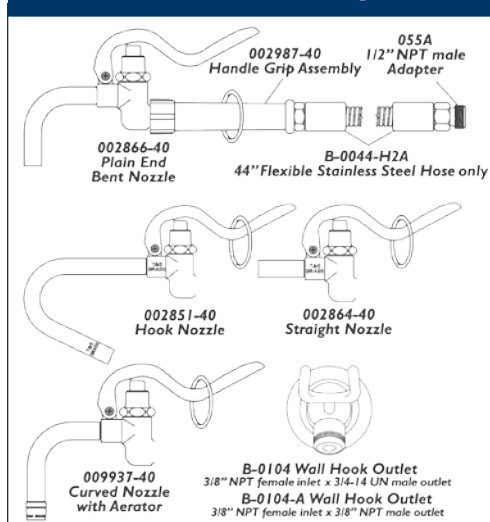


B-0107-B Spray Valve Unit

- Automatic shut-off valve with straight nozzle and rosespray outlet
- Hold-down ring for continuous flow of water (not shown)
- 3/4-14 UN male threads
- Not rated for commercial warewashing



Pot and Glass Filler Options



Dipperwell Faucets

B-2282 Dipperwell Faucet

- 6-1/16" (154 mm) overall height
- 1-11/16" (43 mm) clearance
- 2-3/4" (70 mm) shank
- 2-5/16" (58 mm) nozzle reach
- 1/2" NPSM shank with sweat fitting for 5/16" tubing
- Also available with flow control:



Model No. Flow (GPM)

B-2282-F03	0.25
B-2282-F05	0.40
B-2282-F07	0.70
B-2282-F10	0.90
B-2282-F12	1.20
B-2282-F15	1.40
B-2282-F20	2.00

To order:

Select flow desired, then add suffix to model number.

Ex.: B-2282-**F03** for 0.25 GPM

006678-45 Dipperwell Bowl

- Keeps ice cream scoops and paddles clean and sanitized
- Stainless steel removable internal cup and outer bowl
- 1-1/2" (38 mm) brass tailpiece drain
- Sits flush with table top
- Drains quickly and easily



B-2282-01 Includes B-2282 Dipperwell faucet and 006678-45 Dipperwell bowl

B-2282-01-F05 Same as B-2282-01 except with 0.40 GPM flow tower

B-2282-01-M10 Master pack includes (10) B-2282-01 faucet and bowl assemblies

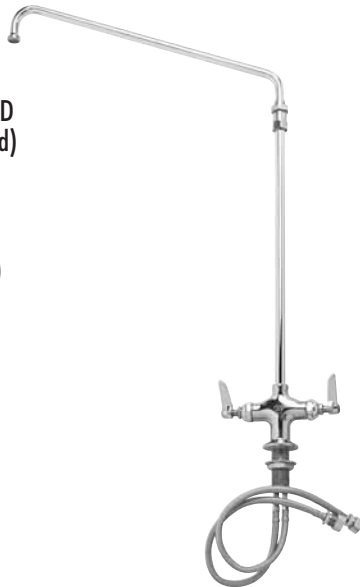
B
10

Elevated Kettle Filling Faucets

B-0270 Double Pantry Faucet with Elevated Swing Nozzle



- Single hole deck-mount mixing faucet (B-0300-LN)
- 18" flexible inlet hoses (compression fittings for 5/8" OD tubing or 1/2" NPSM male thread)
- 18" (457 mm) swing nozzle (065X)
- Swivels from top
- 3/8" NPT 18" riser (000369-40)
- 27-15/16" (710 mm) clearance
- Lever handles with color coded indexes
- 1-1/8" (29 mm) diameter shank



B-0270-144XVF22 18" (456 mm) swing nozzle (065X), vandal resistant aerator and 6" (152 mm) riser, 15-15/16" (405 mm) clearance

B-0271 12" (305 mm) swing nozzle (062X), 25-1/4" (641 mm) clearance

B-0275 Single Pantry Faucet with Elevated Swing Nozzle



- Single hole, single temperature faucet (B-0305-LN)
- 18" (457 mm) swing nozzle (065X)
- Swivels from top
- 3/8" NPT 18" riser (000369-40)
- 27-1/4" (692 mm) clearance
- Lever handle with color coded index
- 1/2" NPSM male shank
- Tailpiece and nut for 1/4" NPT connection included (150A)



B-0276 12" (305 mm) swing nozzle (062X), 25-3/4" (654 mm) clearance

B-0277 6" (152 mm) swing nozzle (059X), 24-1/2" (622 mm) clearance

Elevated Kettle Filling Faucets

B-0281 Deck Faucet with Elevated Swing Nozzle



- 8" (203 mm) deck-mount faucet (B-0320-LN)
- 12" (305 mm) swing nozzle (062X)
- Swivels from top
- 3/8" NPT 18" riser (000369-40)
- 25-1/4" (641 mm) clearance
- Lever handles with color coded indexes
- 1/2" NPT female eccentric flanged inlets (00AA)



B-0541 Deck Mounted Elevated Nozzle Unit

- 1-11/16" dia. (43 mm) rigid deck-mount base flange (B-0430)
- 6" (152 mm) swing nozzle (059X)
- 3/8" NPT 18" riser (000369-40)
- Swivels from top
- 21-11/16" (550 mm) clearance
- 1/2" NPSM male inlet
- Tailpiece and nut for 1/4" NPT connection included (150A)

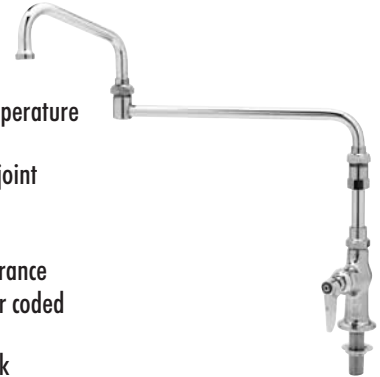


B-0542 12" (305 mm) nozzle (062X), 22-3/4" (578 mm) clearance

B-0319-01 Single Pantry Faucet with Elevated Double-Joint Swing Nozzle



- Single hole, single temperature faucet (B-0305-LN)
- 18" (457 mm) double-joint swing nozzle
- Swivels from top
- 13-1/4" (337 mm) clearance
- Lever handle with color coded index
- 1/2" NPSM male shank
- Tailpiece and nut for 1/4" NPT connection included (150A)



B-0319-02 Same as B-0319-01 except with 16-1/4" (413 mm) clearance

B-0319-03 Same as B-0319-01 except with 24" double-joint swing nozzle, 15-11/16" (398 mm) clearance

B-0319-04 Same as B-0319-03 except with 18-1/4" (464 mm) clearance (see right)



“Wok Wand” Faucets

B-0575 Back Mounted Range Faucet



- Back mounted range faucet
- For cold water only
- 13-3/4" (349 mm) nozzle with 2.2 GPM aerator
- 3/8" NPT female inlet
- ON-OFF control with swing nozzle:
 - ON when nozzle is in center position
 - OFF when nozzle is swung to left or right

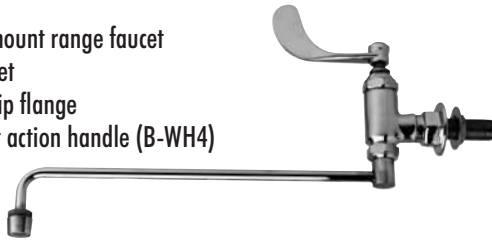


B-0576 Same as B-0575 except with 3/8" male inlet
B-0577 Same as B-0575 except with 1/2" male inlet
B-0577-09 Same as B-0577 except with 8-7/8" (225 mm) nozzle length and 1/2" NPSM male inlet

B-0578-01 "Wok Wand" Range Faucet



- Single hole wall-mount range faucet
- 1/2" NPT male inlet
- 2" dia. (51 mm) slip flange
- 4" (102 mm) wrist action handle (B-WH4)
- 13-1/2" (334 mm) swing nozzle with 2.2 GPM aerator (002868-40)



B-0578 Same as B-0578-01 except with 1/2" BSPT male inlet
B-0579-01 Same as B-0578-01 except with 2" dia. (51 mm) flange with 1/2" BSPT NPT female inlet
B-0579 Same as B-0578-01 except with 1/2" BSPT female inlet

B-2343 Chinese Pedestal Faucet

- Pedestal mounted faucet
- 1/2" NPT male shank, 2" (51 mm) long
- 9" (229 mm) swing nozzle with 2.2 GPM aerator
- 6-1/4" (159 mm) clearance
- For cold water only
- ON-OFF control with swing nozzle:
 - ON when nozzle is in center position
 - OFF when nozzle is swung to left or right



B
12

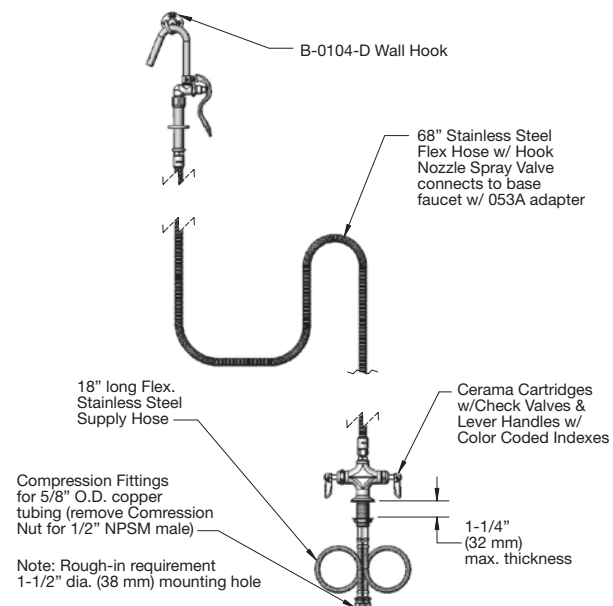
Range Faucets and Pot Fillers

B-0300-102A-CR Pot Filler Faucet Assembly



- Single hole deck-mount mixing faucet
- Ceramic cartridges with integral check valves
- Lever handles with color coded indexes
- B-0068-H 68" flexible stainless steel hose with spray valve hook nozzle (002851-40)
- 053A adapter connects to faucet
- (2) 18" long flex. stainless steel supply hose connectors, compression fittings
- Wall hook (B-0104-D)

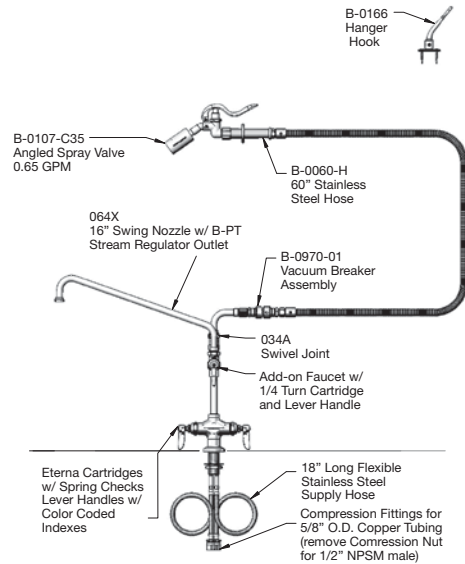
B-0300-102A Same as B-0300-102A-CR except with Eterna compression cartridges in mixing faucet



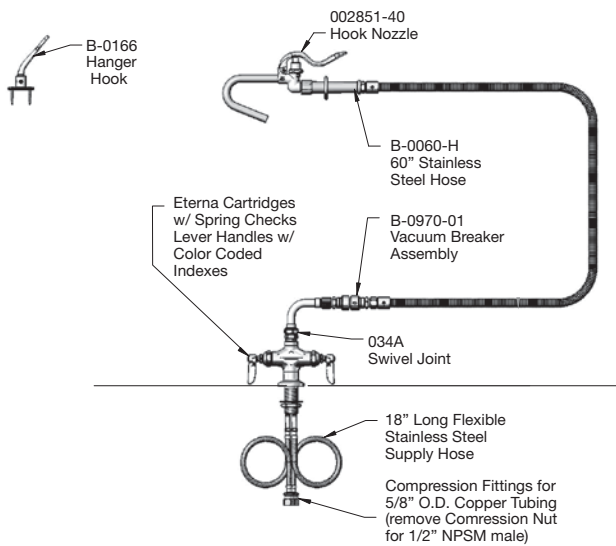
Range Faucets and Pot Fillers

B-0300-A16-WD Pot Filler Faucet with Spray Unit

- Single hole deck-mount mixing faucet
- Eterna compression cartridges with integral spring checks
- Lever handles with color coded indexes
- Add-on faucet with 16" swing nozzle with stream regulator outlet (064X) and 5" (127 mm) riser
- B-0107-C35 low flow (0.65 GPM) angle spray valve
- B-0060-H 60" stainless steel hose
- 90° swivel adapter (034A)
- B-0970-01 vacuum breaker assembly
- (2) 18" long flex. stainless steel supply hose connectors, compression fittings
- Wall hook (B-0166)



B-0300-PF Pot Filler Faucet Assembly

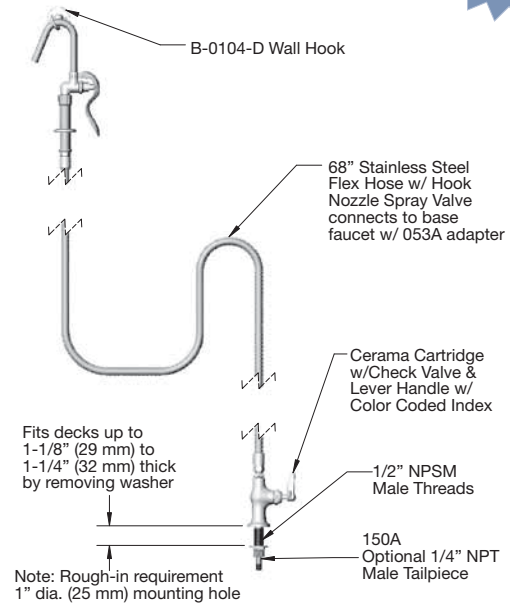


- Single hole deck-mount mixing faucet
- Eterna cartridges with integral spring checks
- Lever handles with color coded indexes
- 90° swivel adapter (034A)
- Hook nozzle spray valve (002851-40)
- B-0060-H 60" flexible stainless steel hose
- B-0970-01 vacuum breaker assembly
- (2) 18" long flex. stainless steel supply hose connectors, compression fittings
- Wall hook (B-0166)

B-0305-102A-CR Pot Filler Faucet Assembly



**B
13**



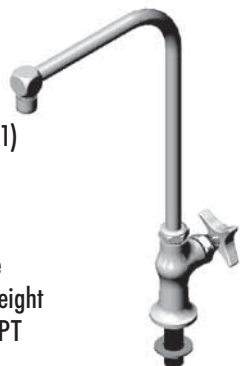
- Single control deck-mount pantry faucet
- Ceramic cartridge with integral check valve
- Lever handle with color coded index
- 1/2" NPSM male threaded shank with optional 1/4" NPT tailpiece
- Hook nozzle spray valve (002851-40)
- B-0068-H 68" flexible stainless steel hose
- 053A adapter connects to faucet
- Wall hook (B-0104-D)

Range Faucets and Pot Fillers

B-0318-02 Pot Filler Faucet



- Single hole, single temperature deck-mount faucet
- 360° swing nozzle with 2.2 GPM aerator (B-0199-01)
- Four-arm handle
- 1/2" NPSM male inlet with locknut and lock washer
- 14-7/8" (379 mm) clearance
- 16-3/4" (425 mm) overall height
- Tailpiece and nut for 1/4" NPT connection included (150A)



B-0319 Single pantry faucet with 24" (068X) double-joint swing nozzle

**B
14**

B-0318-03 Pot Filler Faucet



- Single hole deck-mount mixing faucet
- 18" flexible inlet hoses (compression fittings for 5/8" OD tubing or 1/2" NPSM male thread)
- 90° swing nozzle with 360° rotation and 2.2 GPM aerator (B-0199-01)
- Lever handles with color coded indexes
- 15" (381 mm) overall height



B-0580 Pot Filler

- Wall-mount 18" (457 mm) double-joint nozzle (002848-40) with 2" dia. (51 mm) adjustable flange and 1/2" NPT female inlet
- Heat-resistant on-off volume control grip on nozzle end (035A)



B-0585

Note: Stop valve should be installed in supply line.

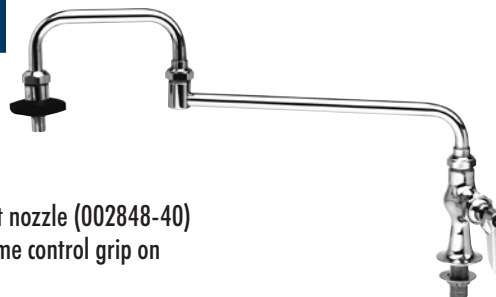
B-0581 Same as B-0580 except with 24" (610 mm) double-joint nozzle (002872-40)

B-0585 Deck-mounted with 18" (457 mm) double-joint nozzle (002848-40) and swivel body with 1/2" NPT female inlet (000590-25)

B-0584 Deck-mounted with 24" (610 mm) double-joint nozzle (002872-40) and swivel body with 1/2" NPT female inlet (000590-25)

B-0590 Pot Filler Faucet

- Single hole, single temperature deck-mount faucet
- 1/2" NPSM male inlet
- 18" (457 mm) double-joint nozzle (002848-40)
- Heat-resistant on-off volume control grip on nozzle end (035A)
- Tailpiece and nut for 1/4" NPT connection included (150A)



B-0591 same as B-0590 except with 24" (610 mm) double-joint nozzle (002872-40)

B-0592 Pot Filler Faucet

- Single hole, single temperature wall-mount faucet
- 18" (457 mm) double-joint nozzle (002848-40)
- 2" dia. (51 mm) flange with 1/2" NPT female inlet
- Heat-resistant on-off volume control grip on nozzle end (035A)



**NEW
Faucet
Model!**

B-0592-CR Same as B-0592 except with ceramic cartridges

B-0594 Same as B-0592 except with 24" (610 mm) double-joint nozzle (002872-40)

Range Faucets and Pot Fillers

B-0597 Pot Filler Faucet



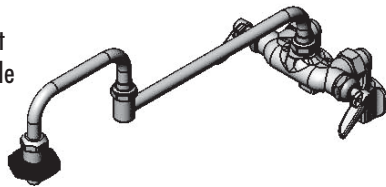
- 8" (203 mm) wall-mount mixing faucet
- Lever handles with color coded indexes
- 1/2" NPT female eccentric flanged inlets (00AA)
- 18" (457 mm) double-joint nozzle (002848-40)
- Heat-resistant on-off control grip on tip of nozzle end (035A)

B-0597-CR Same as B-0592 except with ceramic cartridges

B-0597-EE Same as B-0597 except with 1/2" NPT 00EE male inlets

B-0599-CR Pot and Kettle Filler

- Wall-mounted mixing faucet
- 18" double joint swing nozzle (002848-40)
- 1/2" NPT adjustable wall flange female inlets (00GG) adjustable from 2-1/4" to 8-1/4"
- Cerama cartridges with check valves
- Lever handles with color coded indexes



B-0598 Pot Filler Faucet



- 8" (203 mm) wall-mount mixing faucet
- Lever handles with color coded indexes
- 1/2" NPT female eccentric flanged inlets (00AA)
- 24" (610 mm) double-joint nozzle (002872-40)
- Heat-resistant on-off control grip on tip of nozzle end (035A)

B-0600 Pot and Kettle Filler

- Wall-mount with 2" (51 mm) flange and 1/2" NPT female inlet
- Vacuum breaker (B-0968) on swivel outlet
- B-0068-H 68" flexible stainless steel hose
- Hook nozzle with spray valve (002851-40)
- Hold down ring for continuous flow of water

B-0601 same as B-0600 except without spray valve; hook nozzle attaches directly to end of hose

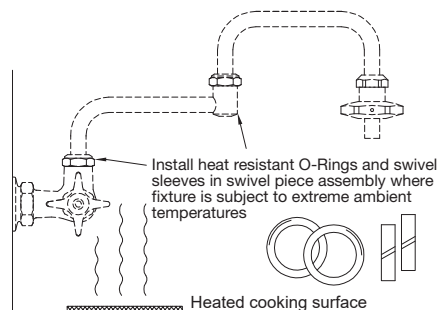


**B
15**

Range Faucet Accessory

067-HR Heat Resistant O-Rings and Swivel Sleeves

- (2) heat resistant 'O'-rings and (2) heat resistant swivel sleeves can be installed for extreme temperature applications
- Parts are rated for 325° F maximum exposure
- Can be added to any faucets with a double-jointed nozzle with heat-resistant on-off control grip



Range Faucets and Pot Fillers

B-0605 Pot and Kettle Filler

- Wall-mount single temperature faucet
- 2" dia. (51 mm) flange with 1/2" NPT female inlet
- Vacuum breaker on outlet (B-0968)
- B-0068-H 68" flexible stainless steel hose
- Hook nozzle spray valve (002851-40)
- Hold-down ring for continuous flow of water

B-0606 same as B-0605 except without (002851-40) spray valve; hook nozzle attaches directly to end of hose



B-0610 Pot and Kettle Filler

- 8" (203 mm) wall-mount mixing faucet
- Lever handles with color coded indexes
- 1/2" NPT female eccentric flanged inlets (00AA)
- Vacuum breaker (B-0968)
- B-0068-H 68" flexible stainless steel hose
- Hook nozzle spray valve (002851-40)
- Hold-down ring for continuous flow of water
- Eterna cartridges with integral spring checks to prevent crossflow of water

B-0610-36H same as B-0610 except with B-0036-H 36" flexible stainless steel hose
B-0610-CC-H108 same as B-0610 except with 108" flexible stainless steel hose and 1/2" NPT male inlet flanges (00CC)
B-0610-JJ same as B-0610 except with 1/2" NPT integral loose key stop inlets (00JJ)
B-0611 same as B-0610 except without (002851-40) spray valve; hook nozzle attaches directly to end of hose



B
16

Kettle Kaddy Spray Stanchions

All models:

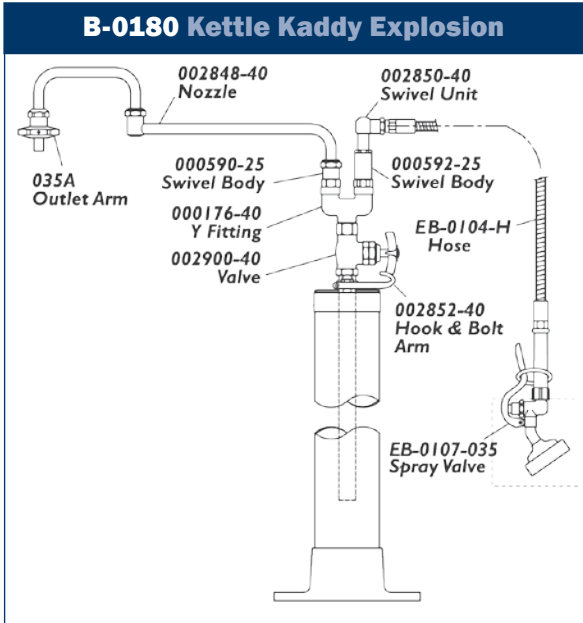
- Are free standing kettle fillers and rinsers
- Serve one to three kettles
- Easy to install • Easy to clean – sturdy – versatile • All piping concealed • Any length hose furnished upon request
- For large floor mounted steam jacketed and self-contained kettles
- Base flange with three bolts holds units firmly to floor (expansion anchors included)

B-0180 Combination Kettle Filler and Spray Stanchion

- 18" (457 mm) double-joint nozzle (002848-40)
- Heat-resistant on-off control grip on tip of nozzle end (035A)
- B-0104-H 104" flexible stainless steel hose
- Angled spray valve (EB-0107-35)
- Tee swivels
- Hook attachment for hanging hose when not in use (002856-40)
- 1/2" NPT connection
- Single water service
- Chrome plated stanchion
- 49" (1245 mm) overall height

B-0182 Same as B-0180 except with hot and cold valves and 1/2" check valves (2)

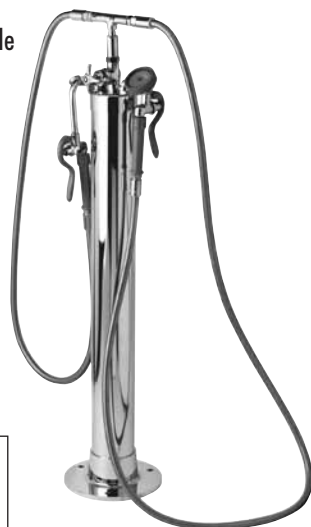
Check Valve for B-0180
 B-CVH1-2 for horizontal or vertical use, 1/2" NPT female



Kettle Kaddies / Pot and Kettle Fillers

B-0190 Combination Kettle Filler and Spray Stanchion

- EB-0068-H 68" flexible stainless steel hose with hook nozzle spray valve (012952-40)
- EB-0104-H 104" flexible stainless steel hose
- Angled spray valve (EB-0107-35)
- Chrome plated stanchion
- Swivel tee
- Hook attachment for hanging hose when not in use (002852-40)
- 1/2" NPT connection
- Single water service
- 44" (1118 mm) overall height



Check Valve for B-0192, B-0193

B-CVH1-2 for horizontal or vertical use, 1/2" NPT female

B-0192 Same as B-0190 except both hot and cold valves

B-0193 Same as B-0192 except with in-line vacuum breakers (B-0970-01) at swivel tee ends

B-0196 Same as B-0190 except with a continuous pressure vacuum breaker (B-0970-01) at hose connection

B-2312 Pot Filler with Quick-Disconnect

- 8" (203 mm) wall-mount mixing faucet
- Lever handles with color coded indexes
- 1/2" NPT female eccentric flanged inlets (00AA)
- Vacuum breaker (B-0968)
- B-0044-H 44" flexible stainless steel hose
- Quick-disconnect spray valve with EB-1421, B-1422 and B-1424 quick-disconnect spray heads
- Hold down ring for continuous flow of water
- Eterna cartridges with integral spring checks to prevent crossflow of water



B-0195 Kettle Filler Hose Stanchion

- Hook nozzle spray valve (012952-40)
- EB-0068-H 68" (1727 mm) flexible stainless steel hose
- Hook attachment for hanging hose when not in use (002852-40)
- Single water service
- 1/2" NPT connection
- 44" (1118 mm) overall height

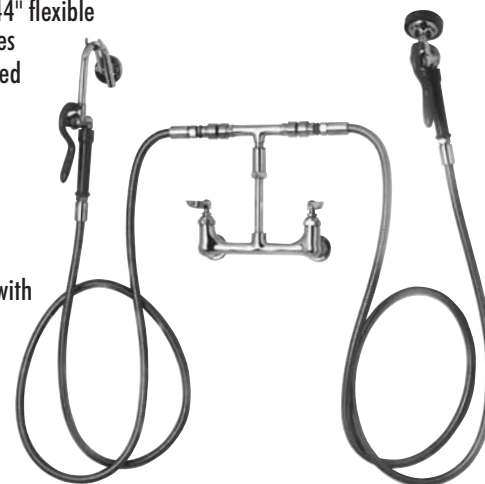


B-0187 Same as B-0195 except with hot and cold valves and 1/2" check valves (2)

B-0188 Same as B-0187 except with a continuous pressure vacuum breaker (B-0970-01) at hose connection

B-2331 Combination Pot Filler and Spray Assemblies

- 8" (203 mm) wall-mount mixing faucet
- Lever handles with color coded indexes
- 1/2" NPT female eccentric flanged inlets (00AA)
- Two in-line vacuum breakers (B-0970-FE)
- Two wall hooks (B-0166)
- Two EB-0144-H 144" flexible stainless steel hoses
- EB-0107-035 angled spray valve (1.42 GPM)
- Hook nozzle spray valve (012952-40)
- Swivel tee
- Eterna cartridges with integral spring checks to prevent crossflow of water



Big-Flo Add-On Faucets and Faucets for Pot Sinks and Kettles

B-0286-LNEZ Big-Flo EasyInstall Add-On Faucet Assembly

- For use with B-0290 Big-Flo series faucets
- 3/8" NPT female pre-rinse unit connection
- 6-1/4" tall x 5-3/8" deep
- Four-arm handle (002521-45)
- Furnished with serrated lock washer for non-swivel installation in base faucet
- Outlet accepts Big-Flo swing nozzles



B-0287 Big-Flo Pre-Rinse with Add-On Faucet

- EasyInstall 8" (203 mm) wall-mount Big-Flo mixing faucet with integral check valves (002840-40CV)
- Four-arm handles with color coded indexes
- EasyInstall B-0286-LNEZ add-on faucet with 12" (305 mm) swing nozzle (114X)
- 3/8" NPT 18" riser (000369-40)
- B-0044-H 44" stainless steel hose
- B-0107 spray valve (1.42 GPM)
- 3/4" NPT short elbows (00LL)
- 3/4" NPT female eccentric flanged inlets (00BB)

EasyInstall



B-0287-427-B Same as B-0287 except with B-0427 inlet supply nipples and 6" (152 mm) wall bracket (B-0109-01)

**B
18**

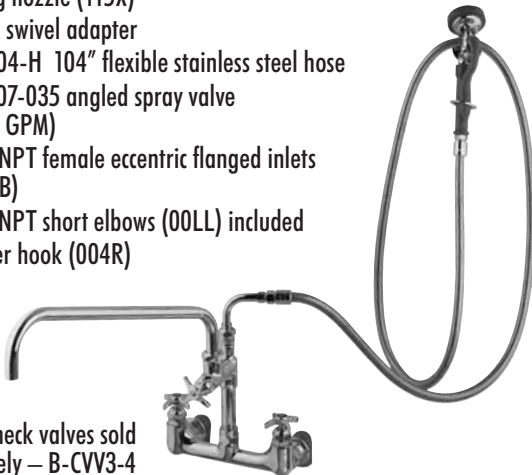
Big-Flo Faucets for Pot Sinks and Kettles

Note: Aerators are not available on Big-Flo series faucets

B-0289 Big-Flo Faucet

EasyInstall

- EasyInstall 8" (203 mm) wall-mount Big-Flo faucet with integral check valves (002840-40CV)
- Big-Flo cartridges (006482-40)
- EasyInstall Big-Flo add-on faucet (B-0286-LNEZ) with 18" (457 mm) Big-Flo swing nozzle (115X)
- 034A swivel adapter
- B-0104-H 104" flexible stainless steel hose
- B-0107-035 angled spray valve (1.42 GPM)
- 3/4" NPT female eccentric flanged inlets (00BB)
- 3/4" NPT short elbows (00LL) included
- Finger hook (004R)

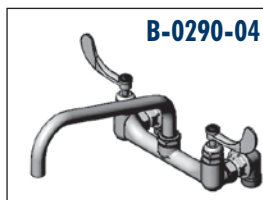


Note: check valves sold separately – B-CVV3-4

B-0284 Same as B-0289 except with 12" (305 mm) swing nozzle (114X)

B-0290 Big-Flo Faucet

- 8" (203 mm) wall-mount Big-Flo mixing faucet
- Big-Flo cartridges (006482-40)
- 3/4" NPT short elbows (00LL)
- 12" (305 mm) Big-Flo swing nozzle (114X)
- Four-arm handles (002521-45) with color coded indexes
- 1-1/4" (32 mm) diameter holes required in backsplash
- 3/4" NPT female eccentric flanged inlets (00BB)



B-0290-01 Same as B-0290 except with 16" Big-Flo swing nozzle (015297-40) and lever handle

B-0290-04 Same as B-0290 except with 4" wrist-action handles with color coded indexes

B-0290-14 Same as B-0290 except with 14" (356 mm) Big-Flo swing nozzle

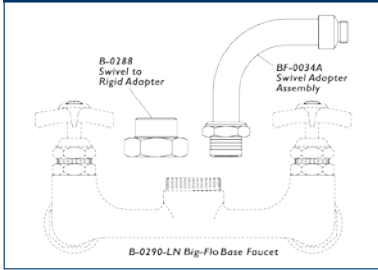
B-0290-LN Same as B-0290 except less nozzle

B-0291 Same as B-0290 except with 18" (457 mm) Big-Flo swing nozzle (115X)

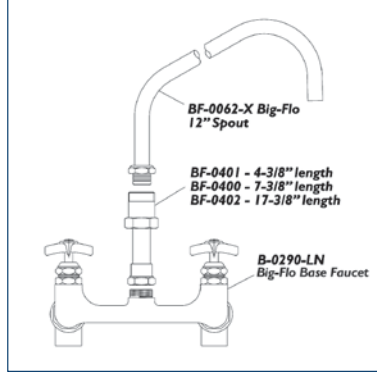
B-0292 Same as B-0290 except with 24" (610 mm) double-joint swing nozzle (116X)

Big-Flo Faucets for Pot Sinks and Kettles

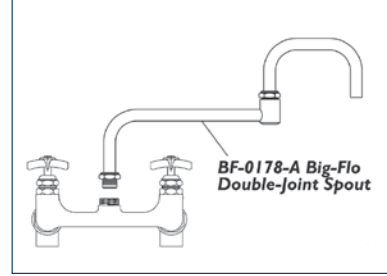
Big-Flo Accessories



Straight Swivel Extensions with Gaskets



Big-Flo Parts Combination Options



Big-Flo Flow Rates

B-0290, B-0291, B-0293 and B-0294

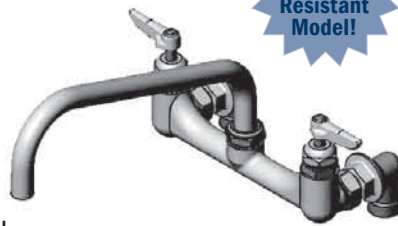
Inlet Pressure When Water Is Flowing	Either Hot or Cold Sides Open	Both Hot and Cold Sides Open
30 PSI	18 GPM	31 GPM
40 PSI	22 GPM	41 GPM
50 PSI	27 GPM	46 GPM

B-0292 and B-0295

Inlet Pressure When Water Is Flowing	Either Hot or Cold Sides Open	Both Hot and Cold Sides Open
30 PSI	17 GPM	28 GPM
40 PSI	21 GPM	33 GPM
50 PSI	24 GPM	37 GPM

B-0290-PRISON Big-Flo Faucet

- 8" (203 mm) wall-mount Big-Flo mixing faucet
- Big-Flo cartridges
- 3/4" NPT short elbows (00LL)
- 12" (305 mm) Big-Flo swing nozzle (114X)
- Chrome plated brass lever handles (010027-40) with color coded indexes
- Vandal-resistant handle screws (VRS-1)
- 3/4" NPT female eccentric flanged inlets (00BB)



NEW
Vandal-Resistant Model!

B-0293 Big-Flo Faucet

- 8" (203 mm) deck-mount Big-Flo mixing faucet
- Big-Flo cartridges (006482-40)
- 3/4" NPT female flanged elbow inlets (00YY)
- 12" (305 mm) Big-Flo swing nozzle (114X)
- Four-arm handles (002521-45) with color coded indexes



B-0296 Big-Flo Faucet

- Single hole single temperature deck-mount Big-Flo faucet
- 1/2" NPT female inlet
- Includes B-0425 supply nipple kit
- 12" (305 mm) Big-Flo swing nozzle (114X)
- Four-arm handles (002521-45)
- 8-7/16" (214 mm) clearance



- B-0296-LN** Same as B-0296 except less nozzle
- B-0297** Same as B-0296 except with 18" (457 mm) swing nozzle (115X); 10-1/2" (267 mm) clearance
- B-0298** Same as B-0296 except with 24" (610 mm) double joint swing nozzle (116X)

- B-0293-01** Same as B-0293 except with two 3/4" NPT male supply nipple kits (B-0427)
- B-0293-14** Same as B-0293 except with 14" (356 mm) Big-Flo swing nozzle and (2) 3/4" NPT male supply nipple inlet kits (B-0427)
- B-0294** Same as B-0293 except with 18" (457 mm) swing nozzle (115X); 8-7/8" (225 mm) deck to outlet of nozzle
- B-0295** Same as B-0293 except with 24" (610 mm) double joint swing nozzle (116X); 9-1/8" (232 mm) from deck to outlet of nozzle

Big-Flo Faucets for Pot Sinks and Kettles / Vandal-Resistant Big-Flo Faucets

Note: Aerators are not available on Big-Flo series faucets

B-0296-PRISON Big-Flo Faucet



- Single hole single temperature deck-mount Big-Flo faucet
- 1/2" NPT female inlet
- Includes B-0425 supply nipple kit
- 12" (305 mm) Big-Flo swing nozzle (114X)
- Chrome plated brass lever handles (010027-40)
- Vandal-resistant screws (VRS-1)
- 8-7/16" (214 mm) clearance



Big-Flo Flow Rates

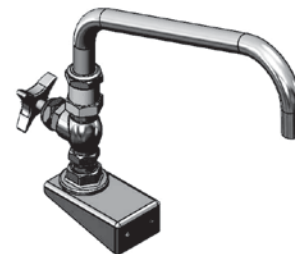
B-0296, B-0297, B-0298

Inlet Pressure When Water Is Flowing	Valve Open
20 PSI	5.1 GPM
30 PSI	6.3 GPM
40 PSI	7.3 GPM
50 PSI	8.1 GPM
60 PSI	8.7 GPM

B-0296-BKT Kettle Filler Faucet



- Single hole single temperature deck-mount Big-Flo faucet
- 1/2" NPT female inlet
- Includes B-0425 supply nipple kit
- 12" (305 mm) Big-Flo swing nozzle (114X)
- Four-arm handles (002521-45)
- Includes stainless steel mounting bracket (018122-45)



BF-0176 Big-Flo Faucet

- Single hole single temperature deck-mount Big-Flo faucet
- 12" (305 mm) swing nozzle (114X)
- EB-0060-H 60" (1524 mm) flexible stainless steel hose
- EB-0107-035 angled spray valve
- Finger hook (004R)



B
20

Big-Flo Double Joint Nozzles and Spouts

BF-0178-A Big-Flo Double Joint Nozzle

- For use on all Big-Flo faucets
- 6-1/2" (165 mm) front section with plain end outlet (BF-0153-X)
- 12" (305 mm) back section (118X)
- Overall length 18-1/2" (470 mm)



BF-0153-X Double-joint nozzle front section only 6-1/2" (165 mm)
116X 24" (610 mm) Big-Flo double-joint swing nozzle

BF-0135-X Big-Flo Swivel Gooseneck

- Plain end outlet
- 6-1/16" spread
- 8" (228 mm) clearance
- Overall height 12-3/4" (324 mm)



BF-0136-X Same as BF-0135-X except has 12-1/4" (311 mm) clearance and 17" (432 mm) overall height

114X Big-Flo Swing Nozzle

- 12" (305 mm) spout
- Plain end outlet
- 4" (102 mm) clearance



BF-0062-X 12" (305 mm) swing nozzle with 3-7/8" (98 mm) clearance
115X 18" (457 mm) Big-Flo swing nozzle with 6-1/16" (153 mm) clearance

C

Faucets and Components



RELIABILITY BUILT IN™



Faucets and Components – C

NEW T&S PRODUCTS
 • New Charts with our expanded line of T&S water-saving faucet models and B-1100 Workboard Faucets **C15-36**
 • Expanded line of Standard and Modular Waste Valves **C36-42**

T&S Product Adaptability **C3**

Sink and Pantry Faucets and Nozzles **C4-25**

Swivel Sink and Pantry Faucets

- Base Faucets and Nozzle Combination Charts / Models **C4-8**

NEW! Water-Saving Faucet models

- Base Faucet Models and Charts – with Swing Nozzles, Double-Joint Nozzles, Cast Spouts and Swivel Goosenecks **C9-C22**

Rigid Sink and Pantry Faucets

- Base Faucets and Rigid Gooseneck Charts / Models **C22-C25**

Workboard Faucets and Nozzles .. **C26-36**

- Base Workboard Faucets and Nozzle Combination Charts / Models **C26-27**

NEW! Water-Saving Faucet models

- Base Faucet Models and Charts – with Swing Nozzles and Swivel Goosenecks **C28-36**

Waste Valves and Accessories **C36-42**

- Twist, Lever and Specialty models and Accessories **C36-C37**

NEW! Modular Waste Valve models and Accessories **C38-C42**

Looking for Nozzles, Aerators, Goosenecks and Handles?
See Our *NEW* Accessories section in the G-11

NOTE:
 A comprehensive *Index By Model or Part Number and Page* can be found in the **G-11 General Product Catalog Master Index** section (IN).



? Can't find the T&S product you're looking for?
 Please visit www.tsbrass.com for a complete product listing.

Product Adaptability

T&S Brass offers unparalleled product adaptability! Our base faucets, nozzles, aerators, goosenecks, spouts, handles and inlet options mean many combinations of T&S components are available as models or modifications. You will find what you need in the base faucet model tables in this *Faucets and Components* section. See our *Swivel Faucet and Nozzle Combination Charts* on pages C4-8 and *Workboard Faucet and Nozzle Combination Charts* on pages C26-27.

Please note that handles, inlets, nozzles, goosenecks, spouts and a comprehensive line of standard and water-saving outlets shown in this section are detailed in the NEW Accessories section in the G-11 Catalog.

<p style="text-align: center;">Nozzles, Goosenecks and Spouts</p> <ul style="list-style-type: none"> Swivel or Rigid Vacuum Breaker Nozzle Swivel Gooseneck Vacuum Breaker Nozzle Rigid Gooseneck Cast Spout Double-Joint Nozzle Soap Nozzle Swing Nozzle 	<p style="text-align: center;">Handles</p> <ul style="list-style-type: none"> Lever Handle Four-Arm Handle Dome Handle Wrist-Action Handle Alpine Handle Club Handle Pivot Action Handle Push Button Handle 	<p style="text-align: center;">Inlets</p> <ul style="list-style-type: none"> AA Inlet CC Inlet EE Inlet GG Inlet JJ Inlet WW Inlet
		<p style="text-align: center;">Aerators</p> <ul style="list-style-type: none"> Aerator Garden Hose Outlet Stream Regulator Laminar Flow Regulator Rosespray Serrated Hose End Spray Device Vandal-Resistant Aerator <p style="text-align: right;">NEW Water-Saving Models! (See Accessories)</p>



Looking for Nozzles, Aerators, Goosenecks and Handles? See Our NEW Accessories section in the G-11

Swivel Sink and Pantry Faucets



These base faucets are not equipped with spring check cartridges and they are not for use with pre-rinse units.

Base Faucets

This combination has parts which must be ordered separately.

1-800-476-4103 (East Coast)
1-800-423-0150 (West Coast)

Nozzles

Swing Nozzle

059X 6" (152 mm)

- With B-PT stream regulator outlet

060X 8" (203 mm)

- With B-PT stream regulator outlet

061X 10" (254 mm)

- With B-PT stream regulator outlet

062X 12" (305 mm)

- With B-PT stream regulator outlet



065X 18" (457 mm)

- With B-PT stream regulator outlet

Same Base Faucets cont. on p. C6-C7



B-0200-LN Swivel Base Faucet

- Single hole deck-mount mixing faucet
- Lever handles
- 18" flexible inlet hoses (compression fittings for 5/8" OD tubing or 1/2" NPSM male thread)
- 1-1/8" (25 mm) dia. shank



B-0205-LN Swivel Base Faucet

- Single hole, single temperature deck-mount faucet
- Lever handle (cold/blue index)
- 1/2" NPSM shank
- Furnished with 1/4" NPT tailpiece (150A)



B-0220-LN Deck Mixing Faucet

- 8" deck-mount mixing faucet
- Lever handles
- 1/2" NPT female eccentric flanged female inlets (00AA)

B-0202 B-0202-CR Cerama cartridges

B-0207 B-0207-CR Cerama cartridges B-0207-CR-LS Inlet shank with shank washer and lock nut separate B-0207-M Master Box (6)

B-0222 B-0222-CC 1/2" NPT CC male inlets B-0222-EE 1/2" NPT EE male inlets w/ adjustable flange B-0222-M Master Box (6)



B-0220-060X B-2280-060X B-0425 supply nipples B-2280-060X-CR Cerama cartridges and B-0425 supply nipples

B-0220-061X B-0220-EE-061X 1/2" NPT EE male inlets w/ adjustable flanges

B-0201 B-0201-CR Cerama cartridges B-0201-M Master Box (6)

B-0206 B-0206-01 4-5/8" Straight swivel extension B-0206-02 7-5/8" Straight swivel extension B-0206-CR Cerama cartridges B-0206-M Master Box (6)

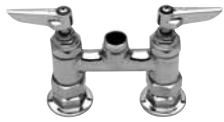
B-0221 B-0221-CC 1/2" NPT CC male inlets B-0221-CC-CR -CC and Cerama cartridges B-0221-CR Cerama cartridges B-0221-EE 1/2" NPT EE male inlets w/ adjustable flange B-0221-KK 1/2" NPT KK male 45° angle flange B-0221-M Master Box (6) B-0221-WH4 Wrist-action handles B-2280 B-0425 supply nipples B-2280-CR Cerama cartridges and B-0425 supply nipples

B-0200 B-0200-CR Cerama cartridges B-0200-CR-LN Cerama cartridges, less nozzle B-0200-LN Less nozzle B-0200-LNM Less nozzle Master Box (6) B-0200-M Master Box (6)

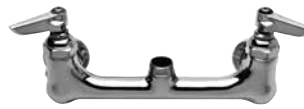
B-0205 B-0205-CR-LN Cerama cartridges, less nozzle B-0205-LN Less nozzle B-0205-LNM -LN Master Box (6) B-0205-M Master Box (6)

B-0220 B-0220-CC 1/2" NPT CC male inlets B-0220-CR-LN Cerama cartridges, less nozzle B-0220-EE 1/2" NPT EE male inlets w/ adjustable flange B-0220-EELN -EE less nozzle B-0220-LN Less nozzle B-0220-LNCC -CC less nozzle B-0220-LNCCM -LNCC Master Box (6) B-0220-LNM -LN Master Box (6) B-0220-M Master Box (6)

Other nozzles for these faucets cont. on page C6



See p. C14



See p. C16-C18



See p. C19

B-0225-LN Deck Mixing Faucet	B-0230-LN Swivel Base Faucet	B-0235-LN Swivel Base Faucet
<ul style="list-style-type: none"> • 4" deck-mount mixing faucet • Lever handles • 1/2" NPT female eccentric flanged female inlets (00AA) 	<ul style="list-style-type: none"> • 8" wall-mount mixing faucet • Lever handles • 1/2" NPT female eccentric flanged female inlets (00AA) 	<ul style="list-style-type: none"> • Wall-mount mixing faucet • Lever handles • 1/2" NPT female adjustable inlet arm flanges • 2-1/4" (57 mm) to 8-1/4" (210 mm) centers
<p>B-0228 B-0228-CC 1/2" NPT CC male inlets B-0228-CR Cerama cartridges B-0228-M Master Box (6) B-2283 B-0425 Supply nipples B-2283-CR B-0425 Supply nipples, Cerama cartridges</p>	<p>B-0232 B-0232-BST Built-in stops B-0232-CC 1/2" NPT CC male inlets B-0232-CC-CR 1/2" NPT CC male inlets, Cerama cartridges B-0232-EE 1/2" NPT EE male inlets w/ adjustable flange</p> <p>B-0232-ELK 1/2" NPT supply el Kits B-0232-F1-CR-SC Cerama cartridges with check valves, B-0199-01-F10 aerator B-0232-M Master Box (6)</p>	<p>B-0237 B-0238 w/ Spring checks and garden hose outlet</p>
<p>B-0227 B-0227-CC 1/2" NPT CC male inlets B-0227-CR Cerama cartridges B-0227-M Master Box (6)</p>		
<p>B-0226 B-0226-CC 1/2" NPT CC male inlets</p>	<p>B-0230-EE-061X 1/2" NPT EE male inlets w/ adjustable flange B-2342</p>	
<p>B-0225 B-0225-CC 1/2" NPT CC male inlets B-0225-CR Cerama cartridges B-0225-CR-LN Cerama cartridges less nozzle B-0225-EELN -EE less nozzle B-0225-LN Less nozzle B-0225-LNM Less nozzle Master Box (6) B-0225-M Master Box (6)</p>	<p>B-0231 B-0231-02 B-0230-K 1/2" NPT supply El kits B-0231-A22-CVH B-0199-01 aerator, (2) B-CVH1-2 1/2" NPT female check valves B-0231-BB-CR 3/4" NPT eccentric 00BB female inlets, Cerama cartridges B-0231-BST Built-in stops B-0231-CC 1/2" NPT CC male inlets B-0231-CC-CR -CC, Cerama cartridges B-0231-CCM -CC Master Box (6) B-0231-CR Cerama cartridges B-0231-CR-EK Cerama cartridges, B-0230-K 1/2" NPT supply El kits B-0231-CR-KIT Cerama cartridges, B-0230-K 1/2" NPT supply El kit, 24" flex. hoses (2)</p> <p>B-0231-CR-M Master Box (6) B-0231-CR-SC Cerama w/ check valves B-0231-EE 1/2" NPT EE male inlets w/ adjustable flange B-0231-EE-A22 -EE w/ B-0199-01 aerator B-0231-EE-A22CR -EE w/ B-0199-01 aerator, Cerama cartridges B-0231-EE-CR -EE, Cerama cartridges B-0231-EEM -EE Master Box (6) B-0231-M Master Box (6) B-0231-VF22-EL B-0199-06 VR aerator, B-0230-K 1/2" NPT supply El kits B-0231-WH4 Wrist-action handles</p>	<p>B-0236 B-0236-CR Cerama cartridges B-0236-CR-063X Cerama cartridges, 14" swing nozzle (063X) B-0236-M Master Box (6)</p>
<p>B-2283-065X B-0425 Supply nipples</p>	<p>B-0230 B-0230-02 2.2 GPM aerator B-0230-14-CR-SC 14" Swing nozzle (063X), Cerama cartridges w/ check valves B-0230-BST Built-in stops B-0230-CC 1/2" NPT CC male inlets B-0230-CC-CR -CC, Cerama cartridges B-0230-CCLN -CC less nozzle B-0230-LNCCM -LNCC Master Box (6) B-0230-CR Cerama cartridges B-0230-CR-02 Cerama cartridges, 2.2 GPM aerator</p> <p>B-0230-CR-LN Cerama cartridges less nozzle B-0230-CR-WH4 133X swivel goose neck, Cerama cartridges, 4" Wrist-action handles B-0230-EE 1/2" NPT EE male inlets w/ adjustable flange B-0230-EELN -EE less nozzle B-0230-LN Less nozzle B-0230-LNM Less nozzle Master Box (6) B-0230-M Master Box (6) B-0230-TZ-CR-SC Cerama w/ check valves (2), B-TEE-EZK EasyInstall accessory tee assembly</p>	<p>B-0235 B-0235-CC 1/2" NPT CC male inlets B-0235-LN Less nozzle B-0235-LNM Less nozzle Master Box (6)</p>

Swivel Sink and Pantry Faucets



These base faucets are not equipped with spring check cartridges and they are not for use with pre-rinse units.

Base Faucets

This combination has parts which must be ordered separately.

1-800-476-4103 (East Coast)
1-800-423-0150 (West Coast)

Nozzles **cont. from p. C4-C5**

Double-Joint Nozzle

066X 12" (305 mm)
• With B-PT stream regulator outlet

067X 15" (381 mm)
• With B-PT stream regulator outlet



068X 18" (457 mm)
• With B-PT stream regulator outlet

Cast Nozzle

0CS6 6" (152 mm)
• With 2.2 GPM aerator (B-0199-02)



Swivel Gooseneck

133X
• With B-PT stream regulator outlet
• 5-11/16" (144 mm)



Other Nozzles

Other Nozzles
(not shown on page C8 or above)



B-0200-LN Swivel Base Faucet

- Single hole deck-mount mixing faucet
- Lever handles
- 18" flexible inlet hoses (compression fittings for 5/8" OD tubing or 1/2" NPSM male thread)
- 1-1/8" (25 mm) dia. shank



B-0205-LN Swivel Base Faucet

- Single hole, single temperature deck-mount faucet
- Lever handle (cold/blue index)
- 1/2" NPSM shank
- Furnished with 1/4" NPT tailpiece (150A)



B-0220-LN Deck Mixing Faucet

- 8" deck-mount mixing faucet
- Lever handles
- 1/2" NPT female eccentric flanged female inlets (00AA)

B-0252

B-0257

B-0247

B-0251

B-0256

B-0246

B-0250

B-0255

B-0245



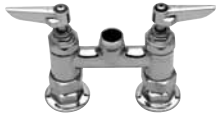
B-0208 (see p. C9)
B-0208-CR Cerama cartridge
B-0208-CR-HW Lever handle w/ red index (hot), B-LT stream regulator



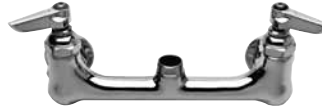
B-0301
B-0301-01 B-0199-01 aerator, lock washer for swivel to rigid
B-0301-01-QT 1/4-turn Eterna cartridges
B-0301-01QT-WS 1/4-turn Eterna cartridges, B-0199-06 -WS 1.5 GPM VR aerator
B-0301-VR B-0199-06 2.2 GPM VR aerator, VR handle and screws
B-0301-W4-QT-WS 1/4-turn Eterna cartridges, B-0199-06 -WS 1.5 GPM VR aerator, 4" Wrist-action handles
B-0301-WH4 4" Wrist-action handles

B-0306

B-0321 (see p. C15)
B-0321-CC 1/2" NPT CC male inlets
B-0321-CC-CR 1/2" NPT CC male inlets, Cerama cartridges
B-0321-NPL B-0425 1/2" NPT male inlets



See p. C14



See p. C16-C18



See p. C19

B-0225-LN
Deck Mixing Faucet

- 4" deck-mount mixing faucet
- Lever handles
- 1/2" NPT female eccentric flanged female inlets (00AA)

B-0230-LN
Swivel Base Faucet

- 8" wall-mount mixing faucet
- Lever handles
- 1/2" NPT female eccentric flanged female inlets (00AA)

B-0235-LN
Swivel Base Faucet

- Wall-mount mixing faucet
- Lever handles
- 1/2" NPT female adjustable inlet arm flanges
- 2-1/4" (57 mm) to 8-1/4" (210 mm) centers



B-0267
B-0267-BST Built-in stops



B-0266
B-0266-BST Built-in stops
B-0266-CR-SC Cerama cartridges with integral check valves



B-0265
B-0265-BST Built-in stops



B-2501 (see p. C15)
B-2501-CR Cerama cartridges

B-0230-01 (see p. C15)
B-0230-01-QT 1/4-turn cartridges
B-0234-BST Built-in stops, B-0199-02 aerator
B-0234-EE 1/2" NPT EE male inlets w/ adjustable flange

B-0235-01

B-0325
B-0325-WH4 4" Wrist-Action handles

B-0331
B-0331-BST Built-in stops
B-0331-CC 1/2" NPT CC male inlets


B-0341

B-0230-132XA-EL 132X swivel gooseneck, 4" wrist-action handles, B-0230-K 1/2" supply el kits (see p. C15)
B-0230-134XA-CR 134X swivel gooseneck, lever handles, Cerama cartridges, optional swivel/rigid washer
B-0230-135X-WH4 135X swivel gooseneck, B-LT stream regulator, 4" Wrist-action handles
B-0233-01 6" Swivel soap dish nozzle (160X)

B-0233-02 8" Swivel soap dish nozzle (161X)
B-0233-03 12" Swivel soap dish nozzle (162X)
B-0233-04 18" Swivel soap dish nozzle (163X)
B-2299 14" Swing nozzle (063X)
B-2299-CR 14" Swing nozzle (063X), Cerama cartridges
B-2358 14" Swing nozzle (063X), B-0425 1/2" NPT male supply nipple kits (2) and 1/2" NPT female short els



These base faucets are not equipped with spring check cartridges and they are not for use with pre-rinse units.

 This combination has parts which must be ordered separately.

1-800-476-4103 (East Coast)
1-800-423-0150 (West Coast)

Base Faucets cont. from p. C6-C7



See p. C11



See p. C20

B-0210-LN Swivel Base Faucet

- Single hole, single temperature wall-mount faucet
- Four-arm handle (cold) with blue index
- 1/2" NPT female flanged inlet

B-0240-LN Combination Sink Faucet

- Wall-mount mixing faucet
- Lever handles
- 2-1/4" (57 mm) to 8-1/4" (210 mm) centers adjustable inlet arms
- 1/2" NPT female flanged inlets
- Integral screwdriver stops

Nozzles

Swing Nozzle

- With B-PT stream regulator outlet



059X 6" (152 mm)

B-0212

B-0242

060X 8" (203 mm)

B-0210-060X



061X 10" (254 mm)



062X 12" (305 mm)

B-0211

B-0241

065X 18" (457 mm)

B-0210

B-0240
B-0240-LN Less nozzle

Double-Joint Nozzle

- With B-PT stream regulator outlet



066X 12" (305 mm)

B-0262



067X 15" (381 mm)

B-0261



068X 18" (457 mm)

B-0260
B-0260-CR-177F Cerama
cartridges w/ lever handle



Cast Nozzle

- With 2.2 GPM aerator (B-0199-02)



0CS6

B-0216
B-0216-177F with lever handle

B-0243

Swivel Gooseneck

- With B-PT stream regulator outlet



133X

B-0312

B-0343



Swivel Pantry Faucets

B-0200 Double Pantry Faucet

- Single hole deck-mount mixing faucet
- 18" (457 mm) swing nozzle (065X)
- B-PT stream regulator (Series 1)
- Lever handles
- Eterna cartridges
- 1-1/8" (29 mm) dia. shank
- Fits sink up to 1-3/8" (35 mm) thick
- 18" flexible inlet hoses (compression fittings for 5/8" OD tubing or 1/2" NPSM male thread)



MODEL	CARTRIDGE	NOZZLE	HEIGHT	CLEARANCE	SPREAD	OUTLET	GPM	HANDLE	VR	NOTES
B-0200	Eterna	18" Swing (065X)	12-1/4" (311 mm)	9-1/2" (242 mm)	18" (457 mm)	B-PT Stream Regulator (Series 1)	—	Lever	N	
B-0200-44H-VB	Eterna with Spring Checks	90° Swivel elbow (034A)	—	—	—	B-0107-035 Angled Spray Valve	1.42 GPM	Lever	N	44" stainless steel flex hose; B-0970-01 continuous pressure vacuum breaker; wall hook
B-0200-CR	Cerama	18" Swing (065X)	12-1/4" (311 mm)	9-1/2" (242 mm)	18" (457 mm)	B-PT Stream Regulator	—	Lever	N	
B-0200-CR-LN	Cerama	—	4" (102 mm)	—	—	—	—	Lever	N	Less nozzle
B-0200-LN	Eterna	—	4" (102 mm)	—	—	—	—	Lever	N	Less nozzle
B-0200-LNM	Eterna	—	4" (102 mm)	—	—	—	—	Lever	N	-LN Master carton of 6
B-0200-M	Eterna	18" Swing (065X)	12-1/4" (311 mm)	9-1/2" (242 mm)	18" (457 mm)	B-PT Stream Regulator	—	Lever	N	B-0200 Master carton of 6
B-0200-44H-VB	Eterna with Spring Checks	90° Swivel elbow (034A)	—	—	—	B-0107-035 Angled Spray Valve	1.42 GPM	Lever	N	44" stainless steel flex hose; B-0970-01 continuous pressure vacuum breaker; wall hook
B-0200-60H-VB	Eterna with Spring Checks	90° Swivel elbow (034A)	—	—	—	B-0107-035 Angled Spray Valve	1.42 GPM	Lever	N	60" stainless steel flex hose; B-0970-01 continuous pressure vacuum breaker; wall hook
B-0201	Eterna	12" Swing (062X)	10-3/16" (259 mm)	7-1/2" (190 mm)	12" (305 mm)	B-PT Stream Regulator	—	Lever	N	
B-0201-M	Eterna	12" Swing (062X)	10-3/16" (259 mm)	7-1/2" (190 mm)	12" (305 mm)	B-PT Stream Regulator	—	Lever	N	B-0201 Master carton of 6
B-0202	Eterna	6" Swing (059X)	8-1/4" (209 mm)	5-9/16" (141 mm)	6" (152 mm)	B-PT Stream Regulator	—	Lever	N	
B-0202-CR	Cerama	6" Swing (059X)	8-1/4" (209 mm)	5-7/16" (138 mm)	6" (152 mm)	B-PT Stream Regulator	—	Lever	N	
B-0250	Eterna	18" Double-joint Swing (068X)	10-1/4" (260 mm)	7-7/16" (189 mm)	18" (457 mm)	B-PT Stream Regulator	—	Lever	N	
B-0251	Eterna	15" Double-joint Swing (067X)	10-1/4" (260 mm)	7-7/16" (189 mm)	15" (382 mm)	B-PT Stream Regulator	—	Lever	N	
B-0252	Eterna	12" Double-joint Swing (066X)	10-1/4" (260 mm)	7-7/16" (189 mm)	12" (305 mm)	B-PT Stream Regulator	—	Lever	N	

VR Vandal-resistant

B-0208 Single Pantry Faucet

- Single hole, single temperature deck-mount faucet
- 6" (152 mm) cast spout (OSC6)
- B-0199-02 (2.2 GPM) aerator (Series 2)
- Lever handle with cold (blue) index
- Eterna cartridge



- 1/2" NPSM male shank
- Fits sink up to 1-5/8" (41 mm) thick
- Includes (150A) tailpiece and nut for 1/4" NPT connection

B-0208-CR Same as B-0208 except with Cerama cartridges
B-0208-CR-HW Same as B-0208-CR except with lever handle with hot (red) index and B-LT stream regulator

Swivel Pantry Faucets



B-0205 Single Pantry Faucet

- Single hole, single temperature deck-mount faucet
- 18" (457 mm) swing nozzle (065X)
- B-PT stream regulator (Series 1)
- Lever handle with cold (blue) index
- Eterna cartridge
- 1/2" NPSM male inlet
- Includes (150A) tailpiece and nut for 1/4" NPT connection



MODEL	CARTRIDGE	NOZZLE	HEIGHT	CLEARANCE	SPREAD	OUTLET	GPM	HANDLE	VR	NOTES
B-0205	Eterna	18" Swing (065X)	12-11/16" (323 mm)	10" (254 mm)	18" (457 mm)	B-PT Stream Regulator	—	Lever	N	
B-0205-CR-LN	Cerama	—	—	—	—	—	—	Lever	N	Less nozzle
B-0205-LN	Eterna	—	—	—	—	—	—	Lever	N	Less nozzle
B-0205-LNM	Eterna	—	—	—	—	—	—	Lever	N	-LN Master carton of 6
B-0205-M	Eterna	18" Swing (065X)	12-11/16" (323 mm)	10" (254 mm)	18" (457 mm)	B-PT Stream Regulator	—	Lever	N	Master carton of 6
B-0205-44H-VB	Eterna with Spring check	90° Swivel elbow (034A)	6-3/16" (160 mm)	—	—	B-0107-035 Angled spray valve	1.42 GPM	Lever	N	44" stainless steel flex hose; B-0970-01 continuous pressure vacuum breaker; wall hook
B-0205-60H-VB	Eterna with Spring check	90° Swivel elbow (034A)	6-3/16" (160 mm)	—	—	B-0107-035 Angled spray valve	1.42 GPM	Lever	N	60" stainless steel flex hose; B-0970-01 continuous pressure vacuum breaker; wall hook
B-0206	Eterna	12" Swing (062X)	10-11/16" (271 mm)	7-15/16" (202 mm)	12" (305 mm)	B-PT Stream Regulator	—	Lever	N	
B-0206-01	Eterna	12" Swing (062X)	15" (381 mm)	12-1/4" (311 mm)	12" (305 mm)	B-PT Stream Regulator	—	Lever	N	4-5/8" straight swivel extension
B-0206-02	Eterna	12" Swing (062X)	17-15/16" (456 mm)	15-3/16" (386 mm)	12" (305 mm)	B-PT Stream Regulator	—	Lever	N	7-5/8" straight swivel extension
B-0206-CR	Cerama	12" Swing (062X)	10-11/16" (271 mm)	7-15/16" (202 mm)	12" (305 mm)	B-PT Stream Regulator	—	Lever	N	
B-0206-M	Eterna	12" Swing (062X)	10-11/16" (271 mm)	7-15/16" (202 mm)	12" (305 mm)	B-PT Stream Regulator	—	Lever	N	Master carton of 6
B-0207	Eterna	6" Swing (059X)	8-5/8" (220 mm)	5-15/16" (151 mm)	6" (152 mm)	B-PT Stream Regulator	—	Lever	N	
B-0207-CR	Cerama	6" Swing (059X)	8-5/8" (220 mm)	5-15/16" (151 mm)	6" (152 mm)	B-PT Stream Regulator	—	Lever	N	
B-0207-CR-LS	Cerama	6" Swing (059X)	8-5/8" (220 mm)	5-15/16" (151 mm)	6" (152 mm)	B-PT Stream Regulator	—	Lever	N	Inlet shank with shank washer and lock nut shipped uninstalled
B-0207-M	Eterna	6" Swing (059X)	8-5/8" (220 mm)	5-15/16" (151 mm)	6" (152 mm)	B-PT Stream Regulator	—	Lever	N	Master carton of 6
B-0255	Eterna	18" double-joint nozzle (068X)	10-3/4" (272 mm)	7-15/16" (202 mm)	18" (457 mm)	B-PT Stream Regulator	—	Lever	N	
B-0257	Eterna	12" double-joint nozzle (066X)	10-3/4" (272 mm)	7-15/16" (202 mm)	12" (305 mm)	B-PT Stream Regulator	—	Lever	N	

VR Vandal-resistant



Swivel Pantry Faucets

B-0210 Single Pantry Faucet

- Single hole, single temperature wall-mount faucet
- 18" (457 mm) swing nozzle (065X)
- B-PT stream regulator (Series 1)
- Four-arm handle with cold (blue) index
- Eterna cartridge
- 1/2" NPT female flanged inlet



MODEL	CARTRIDGE	NOZZLE	HEIGHT	CLEARANCE	SPREAD	OUTLET	GPM	HANDLE	VR	NOTES
B-0210	Eterna	18" Swivel nozzle (065X)	10" (254 mm)	7-1/4" (184 mm)	18" (457 mm)	B-PT Stream Regulator	—	Four-arm	N	
B-0210-060X	Eterna	8" Swing nozzle (060X)	6-5/8" (168 mm)	3-7/8" (102 mm)	8" (203 mm)	B-PT Stream Regulator	—	Four-arm	N	
B-0210-LN	Eterna	—	—	—	—	—	—	Four-arm	N	
B-0210-LNM	Eterna	—	—	—	—	—	—	Four-arm	N	-LN Master carton of 6
B-0211	Eterna	12" Swing nozzle (062X)	7-15/16" (202 mm)	5-1/4" (133 mm)	12" (305 mm)	B-PT Stream Regulator	—	Four-arm	N	
B-0212	Eterna	6" Swing nozzle (059X)	6" (152 mm)	3-5/16" (84 mm)	6" (152 mm)	B-PT Stream Regulator	—	Four-arm	N	
B-0216	Eterna	6" OCS6 Cast Spout	3-1/4" (82 mm)	1-5/8" (41 mm)	6" (152 mm)	B-0199-02 aerator	2.2 GPM	Four-arm	N	
B-0260	Eterna	18" double-joint swing nozzle (068X)	8" (203 mm)	5-3/16" (132 mm)	18" (457 mm)	B-PT Stream Regulator	—	Four-arm	N	
B-0260-CR-177F	Cerama	18" double-joint swing nozzle (068X)	8" (203 mm)	5-3/16" (132 mm)	18" (457 mm)	B-PT Stream Regulator	—	Lever	N	
B-0261	Eterna	15" double-joint swing nozzle (067X)	8-1/4" (211 mm)	5-3/4" (146 mm)	15" (381 mm)	B-PT Stream Regulator	—	Four-arm	N	
B-0262	Eterna	12" double-joint swing nozzle (065X)	8" (203 mm)	5-3/16" (132 mm)	12" (305 mm)	B-PT Stream Regulator	—	Four-arm	N	

VR Vandal-resistant

C
11

B-0220 Double Pantry Faucet

- 8" (203 mm) deck-mount mixing faucet
- 18" (457 mm) swing nozzle (065X)
- B-PT stream regulator (Series 1)
- Lever handles with color coded indexes
- Eterna cartridges
- 1/2" NPT female eccentric flanged inlets (00AA)



MODEL	CARTRIDGE	NOZZLE	HEIGHT	CLEARANCE	SPREAD	OUTLET	GPM	HANDLE	VR	NOTES
B-0220	Eterna	18" Swing nozzle (065X)	11-15/16" (303 mm)	9-3/16" (234 mm)	18" (457 mm)	B-PT Stream regulator	—	Lever	N	
B-0220-060X	Eterna	8" Swing nozzle (060X)	8-9/16" (217 mm)	5-13/16" (148 mm)	8" (203 mm)	B-PT Stream regulator	—	Lever	N	
B-0220-CC	Eterna	18" Swing nozzle (065X)	11-5/8" (296 mm)	8-15/16" (226 mm)	18" (457 mm)	B-PT Stream regulator	—	Lever	N	00CC 1/2" NPT male inlets
B-0220-CR-LN	Cerama	—	—	—	—	—	—	Lever	N	
B-0220-061X	Cerama	10" Swing nozzle (061X)	9-5/16" (236 mm)	6-9/16" (167 mm)	10" (254 mm)	B-PT Stream regulator	—	Lever	N	

Chart cont. next page

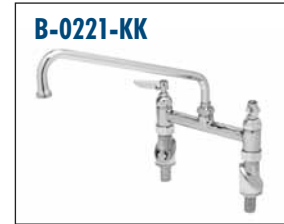
VR Vandal-resistant

Swivel Pantry Faucets



B-0220 Double Pantry Faucet

- 8" (203 mm) deck-mount mixing faucet
- 18" (457 mm) swing nozzle (065X)
- B-PT stream regulator (Series 1)
- Lever handles with color coded indexes
- Eterna cartridges
- 1/2" NPT female eccentric flanged inlets (00AA)



B-0220 FAUCETS, cont.

MODEL	CARTRIDGE	NOZZLE	HEIGHT	CLEARANCE	SPREAD	OUTLET	GPM	HANDLE	VR	NOTES
B-0220-EE	Eterna	18" Swing nozzle (065X)	10-7/8" (276 mm)	8-1/8" (206 mm)	18" (457 mm)	B-PT Stream regulator	—	Lever	N	00EE 1/2" NPT male inlets w/ adj. flange
B-0220-EE-061X	Eterna	10" Swing nozzle (061X)	9-3/16" (233 mm)	6-1/2" (165 mm)	10" (254 mm)	B-PT Stream regulator	—	Lever	N	00EE 1/2" NPT male inlets w/ adj. flange
B-0220-EELN	Eterna	—	—	—	—	—	—	Lever	N	Less nozzle; 00EE 1/2" NPT male inlets w/ adj. flange
B-0220-LN	Eterna	—	—	—	—	—	—	Lever	N	Less swing nozzle
B-0220-LNCC	Eterna	—	—	—	—	—	—	Lever	N	Less nozzle; 00CC 1/2" NPT male inlets
B-0220-LNCCM	Eterna	—	—	—	—	—	—	Lever	N	-LNCC Master carton of 6
B-0220-LNM	Eterna	—	—	—	—	—	—	Lever	N	-LN Master carton of 6
B-0220-M	Eterna	18" Swing nozzle (065X)	11-15/16" (303 mm)	9-3/16" (234 mm)	18" (457 mm)	B-PT Stream regulator	—	Lever	N	B-0220 Master carton of 6
B-0221	Eterna	12" swing nozzle (062X)	9-15/16" (252 mm)	7-3/16" (183 mm)	12" (305 mm)	B-PT Stream regulator	—	Lever	N	
B-0221-CC	Eterna	12" swing nozzle (062X)	9-9/16" (242 mm)	6-13/16" (173 mm)	12" (305 mm)	B-PT Stream regulator	—	Lever	N	00CC 1/2" NPT male inlets
B-0221-CC-CR	Cerama	12" swing nozzle (062X)	9-9/16" (242 mm)	6-13/16" (173 mm)	12" (305 mm)	B-PT Stream regulator	—	Lever	N	00CC 1/2" NPT male inlets
B-0221-EE	Eterna	12" swing nozzle (062X)	9-7/8" (250 mm)	7-1/8" (181 mm)	12" (305 mm)	B-PT Stream regulator	—	Lever	N	00EE 1/2" NPT male inlets w/ adjustable flange
B-0221-KK	Eterna	12" swing nozzle (062X)	9-1/4" (235 mm)	6-1/2" (165 mm)	12" (305 mm)	B-PT Stream regulator	—	Lever	N	00KK 1/2" NPT male 45° panel inlet flanges
B-0221-M	Eterna	12" swing nozzle (062X)	9-15/16" (252 mm)	7-3/16" (183 mm)	12" (305 mm)	B-PT Stream regulator	—	Lever	N	B-0221 Master carton of 6
B-0221-WH4	Eterna	12" swing nozzle (062X)	9-15/16" (252 mm)	7-3/16" (183 mm)	12" (305 mm)	B-PT Stream regulator	—	4" Wrist-action	N	
B-0222	Eterna	6" swing nozzle (059X)	8" (203 mm)	5-1/4" (134 mm)	6" (152 mm)	B-PT Stream regulator	—	Lever	N	
B-0222-CC	Eterna	6" swing nozzle (059X)	7-5/8" (191 mm)	4-7/8" (127 mm)	6" (152 mm)	B-PT Stream regulator	—	Lever	N	00CC 1/2" NPT male inlets
B-0222-EE	Eterna	6" swing nozzle (059X)	7-15/16" (202 mm)	5-3/16" (137 mm)	6" (152 mm)	B-PT Stream regulator	—	Lever	N	00EE 1/2" NPT male inlets w/ adjustable flange
B-0222-M	Eterna	6" swing nozzle (059X)	8" (203 mm)	5-1/4" (134 mm)	6" (152 mm)	B-PT Stream regulator	—	Lever	N	B-0222 Master carton of 6
B-0245	Eterna	18" double-joint swing (068X)	10" (254 mm)	7-3/16" (183 mm)	18" (457 mm)	B-PT Stream regulator	—	Lever	N	
B-0246	Eterna	15" double-joint swing (067X)	10" (254 mm)	7-3/16" (183 mm)	15" (382 mm)	B-PT Stream regulator	—	Lever	N	

Chart cont. next page

VR Vandal-resistant

Swivel Pantry Faucets



B-0220 Double Pantry Faucet



B-0220 FAUCETS, cont.

MODEL	CARTRIDGE	NOZZLE	HEIGHT	CLEARANCE	SPREAD	OUTLET	GPM	HANDLE	VR	NOTES
B-0247	Eterna	12" double-joint swing (066X)	10" (254 mm)	7-3/16" (183 mm)	12" (305 mm)	B-PT Stream regulator	–	Lever	N	
B-2280	Eterna	12" Swing nozzle (062X)	9-15/16" (252 mm)	7-3/16" (183 mm)	12" (305 mm)	B-PT Stream regulator	–	Lever	N	Includes (2) B-0425 1/2" NPT male supply nipple kits
B-2280-060X	Eterna	8" Swing nozzle (060X)	8-3/8" (213 mm)	5-5/8" (143 mm)	8" (203 mm)	B-PT Stream regulator	–	Lever	N	
B-2280-CR	Cerama	12" swing nozzle (062X)	9-15/16" (252 mm)	7-3/16" (183 mm)	12" (305 mm)	B-PT Stream regulator	–	Lever	N	Includes (2) B-0425 1/2" NPT male supply nipple kits

VR Vandal-resistant

**Looking for Nozzles, Aerators, Goosenecks and Handles?
See Our NEW *Accessories* section in the G-11**

Swivel Pantry Faucets



B-0225 Double Pantry Faucet

- 4" (102 mm) deck-mount mixing faucet
- 12" (305 mm) swing nozzle (062X)
- B-PT stream regulator (Series 1)
- Eterna cartridges
- Lever handles with color coded indexes
- 1/2" NPT female eccentric flanged inlets (00AA)



MODEL	CARTRIDGE	NOZZLE	HEIGHT	CLEARANCE	SPREAD	OUTLET	GPM	HANDLE	VR	NOTES
B-0225	Eterna	12" Swing nozzle (062X)	9-15/16" (252 mm)	7-1/4" (183 mm)	12" (305 mm)	B-PT Stream Regulator	—	Lever	N	
B-0225-LN	Eterna	—	—	—	—	—	—	Lever	N	Less nozzle
B-0225-LNM	Eterna	—	—	—	—	—	—	Lever	N	-LN Master carton of 6
B-0225-M	Eterna	12" Swing nozzle (062X)	9-15/16" (252 mm)	7-1/4" (183 mm)	12" (305 mm)	B-PT Stream Regulator	—	Lever	N	B-0225 Master carton of 6
B-0225-CC	Eterna	12" Swing nozzle (062X)	9-1/2" (241 mm)	6-3/4" (171 mm)	12" (305 mm)	B-PT Stream Regulator	—	Lever	N	00CC 1/2" NPT male inlets
B-0225-CR	Cerama	12" Swing nozzle (062X)	9-15/16" (252 mm)	7-1/4" (183 mm)	12" (305 mm)	B-PT Stream Regulator	—	Lever	N	
B-0225-CR-LN	Cerama	—	—	—	—	—	—	Lever	N	Less nozzle
B-0225-EELN	Eterna	—	—	—	—	—	—	Lever	N	00EE 1/2" NPT male inlets w/ adj. flange; less nozzle
B-0226	Eterna	10" Swing nozzle (061X)	9-5/16" (236 mm)	6-9/16" (167 mm)	10" (254 mm)	B-PT Stream Regulator	—	Lever	N	
B-0226-CC	Eterna	10" Swing nozzle (061X)	8-7/8" (225 mm)	6-1/8" (155 mm)	10" (254 mm)	B-PT Stream Regulator	—	Lever	N	00CC 1/2" NPT male inlets
B-0227	Eterna	8" Swing nozzle (060X)	8-9/16" (218 mm)	5-7/8" (149 mm)	8" (203 mm)	B-PT Stream Regulator	—	Lever	N	
B-0227-CC	Eterna	8" Swing nozzle (060X)	7-11/16" (122 mm)	5" (127 mm)	8" (203 mm)	B-PT Stream Regulator	—	Lever	N	00CC 1/2" NPT male inlets
B-0227-M	Eterna	8" Swing nozzle (060X)	8-9/16" (218 mm)	5-7/8" (149 mm)	8" (203 mm)	B-PT Stream Regulator	—	Lever	N	B-0227 Master carton of 6
B-0228	Eterna	6" Swing nozzle (059X)	8" (203 mm)	6-1/4" (159 mm)	6" (152 mm)	B-PT Stream Regulator	—	Lever	N	
B-0228-CC	Eterna	6" Swing nozzle (059X)	7-9/16" (192 mm)	4-7/8" (124 mm)	6" (152 mm)	B-PT Stream Regulator	—	Lever	N	00CC 1/2" NPT male inlets
B-0228-CR	Cerama	6" Swing nozzle (059X)	8" (203 mm)	5-1/4" (134 mm)	6" (152 mm)	B-PT Stream Regulator	—	Lever	N	
B-0228-M	Eterna	6" Swing nozzle (059X)	8" (203 mm)	5-1/4" (134 mm)	6" (152 mm)	B-PT Stream Regulator	—	Lever	N	B-0228 Master carton of 6
B-2283	Eterna	6" Swing nozzle (059X)	8" (203 mm)	5-1/4" (134 mm)	6" (152 mm)	B-PT Stream Regulator	—	Lever	N	Includes (2) B-0425 1/2" NPT male supply nipple kits
B-2283-CR	Cerama	6" Swing nozzle (059X)	8" (203 mm)	5-1/4" (134 mm)	6" (152 mm)	B-PT Stream Regulator	—	Lever	N	Includes (2) B-0425 1/2" NPT male supply nipple kits
B-2283-065X	Eterna	18" Swing nozzle (065X)	11-15/16" (287 mm)	9-3/16" (233 mm)	18" (457 mm)	B-PT Stream Regulator	—	Lever	N	Includes (2) B-0425 1/2" NPT male supply nipple kits

VR Vandal-resistant



Swivel Pantry Faucets

B-2501 Double Pantry Faucet

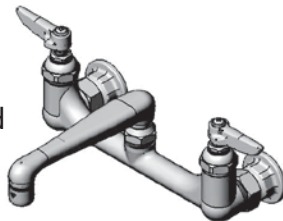
- 4" (102 mm) deck-mount mixing faucet
- 6" (152 mm) cast spout (OSC6)
- B-0199-02 (2.2 GPM) aerator
- Eterna cartridges
- Lever handles with color coded indexes
- 1/2" NPT female eccentric flanged inlets (00AA)



B-2501-CR Same as B-2501 except with ceramic cartridges

B-0230-01 Double Pantry Faucet

- 8" (203 mm) wall-mount mixing faucet
- 6" (152 mm) swivel cast spout (OSC6)
- Optional swivel/rigid washer included
- B-0199-02 aerator (2.2 GPM)
- Eterna cartridges
- Lever handles with color coded indexes
- 1/2" NPT female eccentric flanged inlets (00AA)



B-0230-01-QT Same as B-0230-01 except with quarter-turn spindle assemblies

B-0234-EE Same as B-0230 except with 1/2" NPT EE male inlets with adjustable flanges

B-0316 Pantry Faucet

- Wall-mount vertical mixing faucet
- 5-11/16" (145 mm) swivel gooseneck (133X) with B-PT stream regulator (Series 1)
- Eterna cartridges
- Four arm handles with color coded indexes
- 3" (76 mm) vertical centers
- 1/2" NPT female eccentric flanged inlets (00AA)



B-0316-LN Same as B-0316 except without gooseneck

B-0230-132XA-EL Double Pantry Faucet

- 8" (203 mm) wall-mount mixing faucet
- 2-5/8" (67 mm) swivel gooseneck with B-0199-07 (2.2 GPM) vandal-resistant aerator
- Eterna cartridges
- 4" (102 mm) wrist-action handles with color coded indexes
- 1/2" NPT female eccentric flanged inlets (00AA)
- Includes a B-0230-K kit with (2) short els, supply nipples and lock nuts

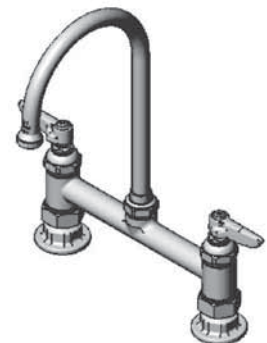


B-0230-134XA-CR Includes ceramic cartridges, 134X swivel gooseneck, lever handles with color coded indexes and optional swivel/rigid washer

B-0230-135X-WH4 Includes Eterna cartridges, 135X swivel gooseneck with B-LT stream regulator outlet and 4" wrist-action handles

B-0321 Double Pantry Faucet

- 8" (203 mm) deck-mount mixing faucet
- 5-11/16" (145 mm) swivel gooseneck (133X) with B-PT stream regulator (Series 1)
- Eterna cartridges
- Lever handles with color coded indexes
- 1/2" NPT female eccentric flanged inlets (00AA)



B-0321-CC Same as B-0321 except with 1/2" NPT CC male inlets

B-0321-CC-CR Same as B-0321-CC except with Cerama cartridges

B-0321-NPL Same as B-0321 except with B-0425, 1/2" NPT male supply nipple kit

Swivel Pantry Faucets



B-0230 Double Pantry Faucet

- 8" (203 mm) wall-mount mixing faucet
- 18" (457 mm) swing nozzle (065X)
- B-PT stream regulator (Series 1)
- Lever handles with color coded indexes
- 1/2" NPT female eccentric flanged inlets (00AA)



MODEL	CARTRIDGE	NOZZLE	HEIGHT	CLEARANCE	SPREAD	OUTLET	GPM	HANDLE	VR	NOTES
B-0230	Eterna	18" Swing nozzle (065X)	9-1/2" (242 mm)	6-3/4" (172 mm)	18" (457 mm)	B-PT Stream regulator	—	Lever	N	
B-0230-02	Eterna	18" Swing nozzle (065X)	9-1/2" (242 mm)	6-3/4" (172 mm)	18" (457 mm)	B-0199-01 aerator	2.2 GPM	Lever	N	
B-0230-14-CR-SC	Cerama w/ check valve	14" Swing nozzle (063X)	8-3/16" (207 mm)	5-7/16" (137 mm)	14" (356 mm)	B-PT Stream regulator	—	Lever	N	
B-0230-BST	Eterna	18" Swing nozzle (065X)	9-1/2" (242 mm)	6-3/4" (172 mm)	18" (457 mm)	B-PT Stream regulator	—	Lever	N	-BST Built-in stops
B-0230-CC	Eterna	18" Swing nozzle (065X)	9-1/2" (242 mm)	6-3/4" (172 mm)	18" (457 mm)	B-PT Stream regulator	—	Lever	N	00CC 1/2" NPT male inlets
B-0230-CC-CR	Cerama	18" Swing nozzle (065X)	9-1/2" (242 mm)	6-3/4" (172 mm)	18" (457 mm)	B-PT Stream regulator	—	Lever	N	00CC 1/2" NPT male inlets
B-0230-CCLN	Eterna	—	—	—	—	—	—	Lever	N	B-0230-CC less nozzle
B-0230-CCLNM	Eterna	—	—	—	—	—	—	Lever	N	-CCLN Master carton of 6
B-0230-CR	Cerama	18" Swing nozzle (065X)	9-1/2" (242 mm)	6-3/4" (172 mm)	18" (457 mm)	B-PT Stream regulator	—	Lever	N	
B-0230-CR-02	Cerama	18" Swing nozzle (065X)	9-1/2" (242 mm)	6-3/4" (172 mm)	18" (457 mm)	B-0199-01 aerator	2.2 GPM	Lever	N	
B-0230-CR-LN	Cerama	—	—	—	—	—	—	Lever	N	B-0230-CR less nozzle
B-0230-CR-WH4	Cerama	Swivel gooseneck (133X)	10-11/16" (271 mm)	6-5/8" (168 mm)	5-11/16" (145 mm)	B-PT Stream regulator	—	4" Wrist-action	N	
B-0230-EE	Eterna	18" Swing nozzle (065X)	9-1/2" (242 mm)	6-3/4" (172 mm)	18" (457 mm)	B-PT Stream regulator	—	Lever	N	00EE 1/2" NPT male inlets w/ adj. flange
B-0230-EE-061X	Eterna	10" Swing nozzle (061X)	7" (178 mm)	4-1/4" (108 mm)	10" (254 mm)	B-PT Stream regulator	—	Lever	N	00EE 1/2" NPT male inlets w/ adj. flange
B-0230-EELN	Eterna	—	—	—	—	—	—	Lever	N	00EE 1/2" NPT male inlets w/ adj. flange; less nozzle
B-0230-LN	Eterna	—	—	—	—	—	—	Lever	N	B-0230 less nozzle
B-0230-LNM	Eterna	—	—	—	—	—	—	Lever	N	-LN Master carton of 6
B-0230-M	Eterna	18" Swing nozzle (065X)	9-1/2" (242 mm)	6-3/4" (172 mm)	18" (457 mm)	B-PT Stream regulator	—	Lever	N	B-0230 Master carton of 6
B-0230-OCS8-CR	Cerama	OCS8-LT Swivel Cast spout	5-5/8" (142 mm)	4-7/16" (113 mm)	8" (203 mm)	B-LT Stream regulator	—	Lever	N	Optional swivel to rigid lock washer
B-0230-TZ-CR-SC	Cerama with Check Valve	18" Swing nozzle (065X)	13" (330 mm)	10-1/4" (260 mm)	18" (457 mm)	B-PT Stream regulator	—	Lever	N	B-TEE-EZK EasyInstall accessory tee assembly
B-0231	Eterna	12" Swing nozzle (062X)	7-1/2" (191 mm)	4-3/4" (122 mm)	12" (305 mm)	B-PT Stream regulator	—	Lever	N	
B-0231-02	Eterna	12" Swing nozzle (062X)	7-1/2" (191 mm)	4-3/4" (121 mm)	12" (305 mm)	B-PT Stream regulator	—	Lever	N	Includes B-0230-K 1/2" NPT male short elbow inlet kit (2)

Swivel Pantry Faucets



B-0230 Double Pantry Faucet



B-0230 FAUCETS, cont.

MODEL	CARTRIDGE	NOZZLE	HEIGHT	CLEARANCE	SPREAD	OUTLET	GPM	HANDLE	VR	NOTES
B-0231-A22-CVH	Eterna	12" Swing nozzle (062X)	7-1/2" (191 mm)	4-3/4" (121 mm)	12" (305 mm)	B-0199-01 aerator	2.2 GPM	Lever	N	Includes (2) B-CVH1-2 1/2" NPT female check valves
B-0231-BB-CR	Cerama	12" Swing nozzle (062X)	7-1/2" (191 mm)	4-3/4" (121 mm)	12" (305 mm)	B-PT Stream regulator	—	Lever	N	00BB 3/4" NPT female inlet flanges
B-0231-BST	Eterna	12" Swing nozzle (062X)	7-1/2" (191 mm)	4-3/4" (121 mm)	12" (305 mm)	B-PT Stream regulator	—	Lever	N	1/2" BST built-in stops
B-0231-CC	Eterna	12" Swing nozzle (062X)	7-1/2" (191 mm)	4-3/4" (121 mm)	12" (305 mm)	B-PT Stream regulator	—	Lever	N	00CC 1/2" NPT male inlets
B-0231-CC-CR	Cerama	12" Swing nozzle (062X)	7-1/2" (191 mm)	4-3/4" (121 mm)	12" (305 mm)	B-PT Stream regulator	—	Lever	N	00CC 1/2" NPT male inlets
B-0231-CCM	Eterna	12" Swing nozzle (062X)	7-1/2" (191 mm)	4-3/4" (121 mm)	12" (305 mm)	B-PT Stream regulator	—	Lever	N	B-0231-CC Master carton of 6
B-0231-CR	Cerama	12" swing nozzle (062X)	7-1/2" (191 mm)	4-3/4" (121 mm)	12" (305 mm)	B-PT Stream regulator	—	Lever	N	
B-0231-CR-EK	Cerama	12" Swing nozzle (062X)	7-1/2" (191 mm)	4-3/4" (121 mm)	12" (305 mm)	B-PT Stream regulator	—	Lever	N	Includes B-0230-K 1/2" NPT male short elbow inlet kit (2)
B-0231-CR-KIT	Cerama	12" Swing nozzle (062X)	7-1/2" (191 mm)	4-3/4" (121 mm)	12" (305 mm)	B-PT Stream regulator	—	Lever	N	Includes B-0230-K 1/2" NPT male short elbow inlet kit (2) and 24" flex. hoses (2)
B-0231-CR-M	Cerama	12" Swing nozzle (062X)	7-1/2" (191 mm)	4-3/4" (121 mm)	12" (305 mm)	B-PT Stream regulator	—	Lever	N	B-0231-CR Master carton of 6
B-0231-CR-SC	Cerama with Check Valve	12" Swing nozzle (062X)	7-1/2" (191 mm)	4-3/4" (121 mm)	12" (305 mm)	B-PT Stream regulator	—	Lever	N	
B-0231-EE	Eterna	12" swing nozzle (062X)	7-1/2" (191 mm)	4-3/4" (121 mm)	12" (305 mm)	B-PT Stream regulator	—	Lever	N	00EE 1/2" NPT male inlets w/ adj. flange
B-0231-EE-A22	Eterna	12" swing nozzle (062X)	7-1/2" (191 mm)	4-3/8" (110 mm)	12" (305 mm)	B-0199-01 aerator	2.2 GPM	Lever	N	00EE 1/2" NPT male inlets w/ adj. flange
B-0231-EE-A22CR	Cerama	12" swing nozzle (062X)	7-1/2" (191 mm)	4-3/8" (110 mm)	12" (305 mm)	B-0199-01 aerator	2.2 GPM	Lever	N	00EE 1/2" NPT male inlets w/ adj. flange
B-0231-EE-CR	Cerama	12" swing nozzle (062X)	7-1/2" (191 mm)	4-3/4" (121 mm)	12" (305 mm)	B-PT Stream regulator	—	Lever	N	00EE 1/2" NPT male inlets w/ adj. flange
B-0231-EEM	Eterna	12" swing nozzle (062X)	7-1/2" (191 mm)	4-3/4" (121 mm)	12" (305 mm)	B-PT Stream regulator	—	Lever	N	-EE Master carton of 6
B-0231-M	Eterna	12" swing nozzle (062X)	7-1/2" (191 mm)	4-3/4" (121 mm)	12" (305 mm)	B-PT Stream regulator	—	Lever	N	B-0231 Master carton of 6
B-0231-VF22-EL	Eterna	12" swing nozzle (062X)	7-1/2" (191 mm)	4-3/8" (110 mm)	12" (305 mm)	B-0199-06 VR aerator	2.2 GPM	Lever	Y	Includes B-0230-K 1/2" NPT male short elbow inlet kit (2)
B-0231-WH4	Eterna	12" swing nozzle (062X)	7-1/2" (191 mm)	4-3/4" (121 mm)	12" (305 mm)	B-PT Stream regulator	—	4" Wrist-action	N	
B-0232	Eterna	6" swing nozzle (059X)	5-5/8" (142 mm)	2-7/8" (74 mm)	6" (152 mm)	B-PT Stream regulator	—	Lever	N	
B-0232-BST	Eterna	6" swing nozzle (059X)	5-5/8" (142 mm)	2-7/8" (74 mm)	6" (152 mm)	B-PT Stream regulator	—	Lever	N	-BST built-in stops

**C
17**

VR Vandal-resistant

Swivel Pantry Faucets



B-0230 Double Pantry Faucet

- 8" (203 mm) wall-mount mixing faucet
- 18" (457 mm) swing nozzle (065X)
- B-PT stream regulator (Series 1)
- Lever handles with color coded indexes
- 1/2" NPT female eccentric flanged inlets (00AA)



B-0230 FAUCETS, cont.

MODEL	CARTRIDGE	NOZZLE	HEIGHT	CLEARANCE	SPREAD	OUTLET	GPM	HANDLE	VR	NOTES
B-0232-CC	Eterna	6" swing nozzle (059X)	5-5/8" (142 mm)	2-7/8" (74 mm)	6" (152 mm)	B-PT Stream regulator	—	Lever	N	00CC 1/2" NPT male inlets
B-0232-CC-CR	Cerama	6" swing nozzle (059X)	5-5/8" (142 mm)	2-7/8" (74 mm)	6" (152 mm)	B-PT Stream regulator	—	Lever	N	00CC 1/2" NPT male inlets
B-0232-EE	Eterna	6" swing nozzle (059X)	5-5/8" (142 mm)	2-7/8" (74 mm)	6" (152 mm)	B-PT Stream regulator	—	Lever	N	00EE 1/2" NPT male inlets
B-0232-ELK	Eterna	6" swing nozzle (059X)	5-5/8" (142 mm)	2-7/8" (74 mm)	6" (152 mm)	B-PT Stream regulator	—	Lever	N	Includes B-0230-K 1/2" NPT male short elbow inlet kit (2)
B-0232-F1-CR-SC	Cerama	6" swing nozzle (059X)	5-5/8" (142 mm)	2-9/16" (65 mm)	6" (152 mm)	B-0199-01-F10	1.0 GPM	Lever	N	
B-0232-M	Eterna	6" swing nozzle (059X)	5-5/8" (142 mm)	2-7/8" (74 mm)	6" (152 mm)	B-PT Stream regulator	—	Lever	N	B-0232 Master carton of 6
B-0234-BST	Eterna	(0CS6) 6" Cast spout	3-1/8" (81 mm)	1-1/2" (38 mm)	6" (152 mm)	B-0199-02 aerator	2.2 GPM	Lever	N	-BST Built-in stops
B-0265	Eterna	18" double-joint swing nozzle (068X)	7-9/16" (191 mm)	4-3/4" (120 mm)	18" (457 mm)	B-PT Stream regulator	—	Lever	N	
B-0265-BST	Eterna	18" double-joint swing nozzle (068X)	7-9/16" (191 mm)	4-3/4" (120 mm)	18" (457 mm)	B-PT Stream regulator	—	Lever	N	-BST Built-in stops
B-0266	Eterna	15" double-joint swing nozzle (067X)	7-9/16" (191 mm)	4-3/4" (120 mm)	15" (382 mm)	B-PT Stream regulator	—	Lever	N	
B-0267	Eterna	12" double-joint swing nozzle (066X)	7-9/16" (191 mm)	4-3/4" (120 mm)	12" (305 mm)	B-PT Stream regulator	—	Lever	N	
B-0267-BST	Eterna	12" double-joint swing nozzle (066X)	7-9/16" (191 mm)	4-3/4" (120 mm)	12" (305 mm)	B-PT Stream regulator	—	Lever	N	-BST Built-in stops
B-2299	Eterna	14" Swing nozzle (063X)	8-3/16" (208 mm)	5-1/2" (140 mm)	14" (356 mm)	B-PT Stream regulator	—	Lever	N	
B-2299-CR	Cerama	14" Swing nozzle (063X)	8-3/16" (208 mm)	5-1/2" (140 mm)	14" (356 mm)	B-PT Stream regulator	—	Lever	N	
B-2342	Eterna	10" Swing nozzle (061X)	7-1/16" (179 mm)	4-5/16" (109 mm)	10" (254 mm)	B-PT Stream regulator	—	Lever	N	
B-2358	Eterna	14" Swing nozzle (063X)	8-3/16" (81 mm)	5-9/16" (141 mm)	14" (356 mm)	B-PT Stream regulator	—	Lever	N	Includes B-0425 1/2" NPT male supply nipple kits (2) and 1/2" NPT female short els

VR Vandal-resistant

Looking for Nozzles, Aerators, Goosenecks and Handles?
See Our NEW Accessories section in the G-11

Swivel Pantry Faucets



B-0233-01 Double Pantry Faucet

- 8" (203 mm) wall-mount mixing faucet
- 6" (152 mm) swivel soap dish nozzle (160X) with B-LT stream regulator (Series 2)
- Eterna cartridges
- Lever handles with color coded indexes
- 1/2" NPT female eccentric flanged inlets (00AA)



B-0233-03



MODEL	CARTRIDGE	NOZZLE	HEIGHT	CLEARANCE	SPREAD	OUTLET	GPM	HANDLE
B-0233-01	Eterna	6" Swivel soap dish nozzle (160X)	4-3/8" (111 mm)	5/8" (15 mm)	6" (152 mm)	B-LT Stream Regulator	—	Lever
B-0233-02	Eterna	8" Swivel soap dish nozzle (161X)	4-3/8" (111 mm)	7/8" (22 mm)	8" (203 mm)	B-LT Stream Regulator	—	Lever
B-0233-03	Eterna	12" Swivel soap dish nozzle (162X)	4-3/8" (111 mm)	1-3/4" (43 mm)	12" (305 mm)	B-LT Stream Regulator	—	Lever
B-0233-04	Eterna	18" Swivel soap dish nozzle (163X)	4-3/8" (111 mm)	4-3/4" (121 mm)	18" (457 mm)	B-LT Stream Regulator	—	Lever

B-0235 Double Pantry Faucet

- Wall-mount mixing faucet
- 18" (457 mm) swivel gooseneck (065X) with B-PT stream regulator (Series 1)
- Eterna cartridges
- Lever handles with color coded indexes
- 1/2" NPT female adjustable arm inlet flanges (00GG)
- Centers adjustable from 2-1/4" (57 mm) to 8-1/4" (210 mm)



B-0235-01

MODEL	CARTRIDGE	NOZZLE	HEIGHT	CLEARANCE	SPREAD	OUTLET	GPM	HANDLE	NOTES
B-0235	Eterna	18" Swing nozzle (065X)	9-11/16" (246 mm)	6-15/16" (176 mm)	18" (457 mm)	B-PT Stream Regulator	—	Lever	
B-0235-01 (shown above)	Eterna	6" Cast spout (0CS6)	2-7/8" (72 mm)	1-15/16" (33 mm)	6" (152 mm)	B-0199-02 Aerator	2.2 GPM	Lever	
B-0235-CC	Eterna	18" Swing nozzle (065X)	9-11/16" (246 mm)	6-13/16" (173 mm)	18" (457 mm)	B-PT Stream Regulator	—	Lever	00CC 1/2" NPT Male inlets
B-0235-LN	Eterna	—	—	—	—	—	—	Lever	Less nozzle
B-0235-LNM	Eterna	—	—	—	—	—	—	Lever	-LN Master carton of 6
B-0236	Eterna	12" Swing nozzle (062X)	7-9/16" (191 mm)	4-13/16" (122 mm)	12" (305 mm)	B-PT Stream Regulator	—	Lever	
B-0236-CR	Cerama	12" Swing nozzle (062X)	7-9/16" (191 mm)	4-13/16" (122 mm)	12" (305 mm)	B-PT Stream Regulator	—	Lever	
B-0236-CR-063X	Cerama	14" Swing nozzle (063X)	8-1/8" (207 mm)	5-7/16" (139 mm)	14" (356 mm)	B-PT Stream Regulator	—	Lever	
B-0236-M	Eterna	12" Swing nozzle (062X)	7-9/16" (191 mm)	4-13/16" (122 mm)	12" (305 mm)	B-PT Stream Regulator	—	Lever	Master carton of 6
B-0237	Eterna	6" Swing nozzle (059X)	5-1/2" (139 mm)	2-3/4" (70 mm)	6" (152 mm)	B-PT Stream Regulator	—	Lever	
B-0341	Eterna	5-11/16" Swivel gooseneck (133X)	10-13/16" (275 mm)	6-11/16" (170 mm)	5-11/16" (145 mm)	B-PT Stream Regulator	—	Lever	



Swivel Pantry Faucets

B-0240 Double Pantry Faucet

- Wall-mount mixing faucet with integral screwdriver stops
- 18" (457 mm) swing nozzle (065X)
- B-PT stream regulator (Series 1)
- Eterna cartridges
- Lever handles with color coded indexes
- 1/2" NPT female adjustable arm inlet flanges with screwdriver stops (00XX)
- Centers adjustable from 2-1/4" (57 mm) to 8-1/4" (210 mm)



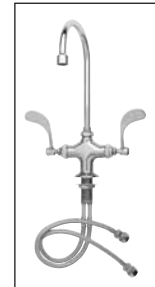
MODEL	CARTRIDGE	NOZZLE	HEIGHT	CLEARANCE	SPREAD	OUTLET	GPM	HANDLE	NOTES
B-0240	Eterna	18" Swing nozzle (065X)	9-9/16" (243 mm)	6-13/16" (174 mm)	18" (457 mm)	B-PT Stream Regulator	–	Lever	
B-0240-LN	Eterna	–	–	–	–	–	–	Lever	Less nozzle
B-0241	Eterna	12" Swing nozzle (062X)	7-9/16" (191 mm)	4-13/16" (122 mm)	12" (305 mm)	B-PT Stream Regulator	–	Lever	
B-0242	Eterna	6" Swing nozzle (059X)	5-9/16" (141 mm)	2-7/8" (73 mm)	6" (152 mm)	B-PT Stream Regulator	–	Lever	
B-0243	Eterna	6" Cast Spout (0CS6)	2-13/16" (71 mm)	1-3/16" (30 mm)	6" (152 mm)	B-0199-02 Aerator	2.2 GPM	Lever	
B-0343	Eterna	5-11/16" Swivel gooseneck (133X)	10-13/16" (275 mm)	6-11/16" (170 mm)	5-11/16" (145 mm)	B-PT Stream Regulator	–	Lever	

B-0301 Double Pantry Faucet

- Single hole deck-mount mixing faucet
- 5-11/16" (145 mm) swivel gooseneck (133X)
- B-PT stream regulator (Series 1)
- Eterna cartridges
- Lever handles with color coded indexes
- 18" flexible inlet hoses (compression fittings for 5/8" OD tubing or 1/2" NPSM male thread)
- Fits sink up to 1-1/4" thick



B-0301-W4-QT



MODEL	CARTRIDGE	GOOSENECK	HEIGHT	CLEARANCE	SPREAD	OUTLET	GPM	HANDLE	VR	NOTES
B-0301	Eterna	5-11/16" Swivel gooseneck (133X)	13-1/2" (343 mm)	9-1/2" (241 mm)	5-11/16" (145 mm)	B-PT Stream Regulator	–	Lever	N	
B-0301-01	Eterna	5-11/16" Swivel gooseneck (133X)	13-1/2" (343 mm)	8-15/16" (228 mm)	5-11/16" (145 mm)	B-0199-01 aerator	2.2 GPM	Lever	N	Lock washer for swivel to rigid
B-0301-01-QT	Eterna (Quarter-turn)	5-11/16" Swivel gooseneck (133X)	13-1/2" (343 mm)	8-15/16" (228 mm)	5-11/16" (145 mm)	B-0199-01 aerator	2.2 GPM	Lever	N	Lock washer for swivel to rigid
B-0301-01QT-WS	Eterna (Quarter-turn)	5-11/16" Swivel gooseneck (133X)	13-1/2" (343 mm)	8-15/16" (228 mm)	5-11/16" (145 mm)	B-0199-06-WS VR aerator	1.5 GPM	Lever	Y	WaterSense aerator
B-0301-VR	Eterna	5-11/16" Swivel gooseneck (133X)	13-1/2" (343 mm)	8-15/16" (228 mm)	5-11/16" (145 mm)	B-0199-06 VR aerator	2.2 GPM	Lever	Y	Anti-rotation screws in body; VR lever handle screws; VR keys
B-0301-W4-QT-WS	Eterna (Quarter-turn)	5-11/16" Swivel gooseneck (133X)	13-1/2" (343 mm)	8-15/16" (228 mm)	5-11/16" (145 mm)	B-0199-06-WS VR aerator	1.5 GPM	4" Wrist-action	Y	WaterSense aerator
B-0301-WH4	Eterna	5-11/16" Swivel gooseneck (133X)	13-1/2" (343 mm)	9-1/2" (241 mm)	5-11/16" (145 mm)	B-PT Stream Regulator	–	4" Wrist-action	N	

VR Vandal-resistant



Swivel Pantry Faucets

B-0325 Double Pantry Faucet

- 4" (102 mm) deck-mount mixing faucet
- 5-11/16" (145 mm) swivel gooseneck (133X)
- B-PT stream regulator (Series 1)
- Eterna cartridges
- Lever handles with color coded indexes
- 1/2" NPT female eccentric flanged inlets (00AA)



MODEL	CARTRIDGE	GOOSENECK	HEIGHT	CLEARANCE	SPREAD	OUTLET	GPM	HANDLE	VR	NOTES
B-0325	Eterna	5-11/16" Swivel gooseneck (133X)	13-1/4" (336 mm)	9-3/16" (231 mm)	5-11/16" (145 mm)	B-PT Stream Regulator	—	Lever	N	
B-0325-A22	Eterna	5-11/16" Swivel gooseneck (133X)	13-1/4" (336 mm)	8-11/16" (221 mm)	5-11/16" (145 mm)	B-0199-01 aerator	2.2 GPM	Lever	N	
B-0325-CC-CR	Cerama	5-11/16" Swivel gooseneck (133X)	13-3/16" (335 mm)	9-1/8" (232 mm)	5-11/16" (145 mm)	B-PT Stream Regulator	—	Lever	N	00CC 1/2" NPT male inlets
B-0325-CC-CR-W4	Cerama	5-11/16" Swivel gooseneck (133X)	13-3/16" (335 mm)	9-1/8" (232 mm)	5-11/16" (145 mm)	B-PT Stream Regulator	—	4" Wrist-action	N	00CC 1/2" NPT male inlets
B-0325-CR	Cerama	5-11/16" Swivel gooseneck (133X)	13-1/4" (336 mm)	9-3/16" (231 mm)	5-11/16" (145 mm)	B-PT Stream Regulator	—	Lever	N	
B-0325-LN	Eterna	—	—	—	—	—	—	Lever	N	Less nozzle
B-0325-LNCC	Eterna	—	—	—	—	—	—	Lever	N	00CC 1/2" NPT male inlets, less nozzle
B-0325-NPL	Eterna	5-11/16" Swivel gooseneck (133X)	13-9/16" (344 mm)	9-1/2" (241 mm)	5-11/16" (145 mm)	B-PT Stream Regulator	—	Lever	N	B-0425 1/2" NPT male supply nipple kit
B-0325-WH4	Eterna	5-11/16" Swivel gooseneck (133X)	13-1/4" (336 mm)	9-3/16" (231 mm)	5-11/16" (145 mm)	B-PT Stream Regulator	—	4" Wrist-action	N	

VR Vandal-resistant

B-0331 Double Pantry Faucet

- 8" (203 mm) wall-mount mixing faucet
- 5-11/16" (145 mm) swivel gooseneck (133X)
- B-PT stream regulator (Series 1)
- Eterna cartridges
- Lever handles with color coded indexes
- 1/2" NPT female eccentric flanged inlets (00AA)



MODEL	CARTRIDGE	GOOSENECK	HEIGHT	CLEARANCE	SPREAD	OUTLET	GPM	HANDLE	VR	NOTES
B-0331	Eterna	5-11/16" Swivel gooseneck (133X)	10-13/16" (274 mm)	6-11/16" (170 mm)	5-11/16" (145 mm)	B-PT Stream Regulator	—	Lever	N	
B-0331-BST	Eterna	5-11/16" Swivel gooseneck (133X)	10-13/16" (274 mm)	6-11/16" (170 mm)	5-11/16" (145 mm)	B-PT Stream Regulator	—	Lever	N	-BST built-in stops
B-0331-CC	Eterna	5-11/16" Swivel gooseneck (133X)	10-13/16" (274 mm)	6-11/16" (170 mm)	5-11/16" (145 mm)	B-PT Stream Regulator	—	Lever	N	00CC 1/2" NPT male inlets
B-0331-CR	Cerama	5-11/16" Swivel gooseneck (133X)	10-13/16" (274 mm)	6-11/16" (170 mm)	5-11/16" (145 mm)	B-PT Stream Regulator	—	Lever	N	
B-0331-VF22-EL	Eterna	5-11/16" Swivel gooseneck (133X)	10-13/16" (274 mm)	6-5/16" (160 mm)	5-11/16" (145 mm)	B-0199-06 VR aerator	2.2 GPM	Lever	Y	Includes B-0230-K 1/2" NPT male short elbow inlet kit (2); VR key

VR Vandal-resistant



Swivel Pantry Faucets



B-0306 Single Pantry Faucet

- Single hole, single temperature deck-mount faucet
- 5-11/16" (145 mm) swivel gooseneck (133X)
- B-PT stream regulator (Series 1)
- Eterna cartridge
- Lever handle with cold (blue) index
- 1/2" NPSM male shank
- Includes (150A) tailpiece and nut for 1/4" NPT connection

MODEL	CARTRIDGE	GOOSENECK	HEIGHT	CLEARANCE	SPREAD	OUTLET	GPM	HANDLE	VR	NOTES
B-0306	Eterna	5-11/16" swivel gooseneck (133X)	14" (356 mm)	9-7/8" (250 mm)	5-11/16" (145 mm)	B-PT Stream Regulator	—	Lever	N	
B-0308-04	Eterna	5-11/16" swivel gooseneck (133X)	13-15/16" (354 mm)	9-7/8" (250 mm)	5-11/16" (145 mm)	B-0199-01 aerator	2.2 GPM	4" Wrist-action	N	
B-0308-04QT-WS	Eterna (Quarter-turn)	5-11/16" swivel gooseneck (133X)	13-15/16" (354 mm)	9-7/16" (240 mm)	5-11/16" (145 mm)	B-0199-06-WS VR aerator	1.5 GPM	4" Wrist-action	Y	WaterSense aerator
B-0308-QT	Eterna (Quarter-turn)	5-3/4" swivel gooseneck (133X-AER)	13-15/16" (354 mm)	9-7/16" (240 mm)	5-11/16" (145 mm)	B-0199-01 aerator	2.2 GPM	Lever	N	
B-0308-QT-VWS	Eterna (Quarter-turn)	5-11/16" swivel gooseneck (133X)	13-15/16" (354 mm)	9-7/16" (240 mm)	5-11/16" (145 mm)	B-0199-06-WS VR aerator	1.5 GPM	Lever	Y	WaterSense aerator
B-0308-QT-WS	Eterna (Quarter-turn)	5-11/16" swivel gooseneck (133X)	13-15/16" (354 mm)	9-7/16" (240 mm)	5-11/16" (145 mm)	B-0199-01-WS aerator	1.5 GPM	Lever	N	WaterSense aerator

VR Vandal-resistant

B-0312 Single Pantry Faucet

- Single hole, single temperature wall-mount faucet
- 5-11/16" (145 mm) swivel gooseneck (133X)
- B-PT stream regulator (Series 1)
- Eterna cartridge
- Four-arm handle with cold (blue) index
- 1/2" NPT female flanged inlet



B-0346 Double Pantry Faucet

- 3-3/8" (86 mm) wall-mount mixing faucet
- 5-11/16" (145 mm) swivel gooseneck (133X)
- B-PT stream regulator (Series 1)
- Eterna cartridge
- Lever handles with color coded indexes
- 1/2" NPT female eccentric flanged inlets (00AA)



C
22

Rigid Pantry Faucets

B-0300 Double Pantry Faucet

- Single hole deck-mount mixing faucet
- 18" flexible inlet hoses (compression fittings for 5/8" OD tubing or 1/2" NPSM male thread)
- 5-1/2" rigid gooseneck (120X)
- B-LT stream regulator outlet (Series 2)
- Eterna cartridges
- Lever handles with color coded indexes
- Fits sink up to 1-1/2" thick
- 1/2" NPT male inlets



MODEL	CARTRIDGE	GOOSENECK	HEIGHT	CLEARANCE	SPREAD	OUTLET	GPM	HANDLE	VR	NOTES
B-0300	Eterna	5-1/2" rigid gooseneck (120X)	13-5/8" (346 mm)	8-9/16" (218 mm)	5-1/2" (140 mm)	B-LT Stream Regulator	—	Lever	N	
B-0300-CR	Ceramic	5-1/2" rigid gooseneck (120X)	13-5/8" (346 mm)	8-9/16" (218 mm)	5-1/2" (140 mm)	B-LT Stream Regulator	—	Lever	N	

Chart cont. next page

VR Vandal-resistant



Rigid Pantry Faucets

B-0300 Double Pantry Faucet

- Single hole deck-mount mixing faucet
- 18" flexible inlet hoses (compression fittings for 5/8" OD tubing or 1/2" NPSM male thread)
- 5-1/2" rigid gooseneck (120X)
- B-LT stream regulator outlet (Series 2)
- Eterna cartridges
- Lever handles with color coded indexes
- Fits sink up to 1-1/2" thick
- 1/2" NPT male inlets



B-0300 FAUCETS, cont.

MODEL	CARTRIDGE	GOOSENECK	HEIGHT	CLEARANCE	SPREAD	OUTLET	GPM	HANDLE	VR	NOTES
B-0300-LN	Eterna	—	—	—	—	—	—	Lever	N	Less gooseneck
B-0300-VR	Eterna	5-1/2" rigid gooseneck (120X)	13-5/8" (346 mm)	7-15/16" (200 mm)	5-9/16" (141 mm)	B-0199-07 VR aerator	2.2 GPM	Lever	Y	Includes anti-rotation base screws; VR handle screws; VR key
B-0300-VR4	Eterna	5-1/2" rigid gooseneck (120X)	13-5/8" (346 mm)	7-15/16" (200 mm)	5-9/16" (141 mm)	B-0199-07 VR aerator	2.2 GPM	4" Wrist-action	Y	Includes anti-rotation base screws; VR handle screws; VR key
B-0300-WH4	Eterna	5-1/2" rigid gooseneck (120X)	13-5/8" (346 mm)	8-9/16" (218 mm)	5-1/2" (140 mm)	B-LT Stream Regulator	—	4" Wrist-action	N	

VR Vandal-resistant

B-0305 Single Pantry Faucet

- Single hole, single temperature deck-mount faucet
- 5-1/2" rigid gooseneck (120X)
- B-LT stream regulator outlet (Series 2)
- Eterna cartridge
- Lever handle with cold (blue) color coded index
- 1/2" NPSM male shank
- Includes (150A) tailpieces and nuts for 1/4" NPT connections



MODEL	CARTRIDGE	GOOSENECK	HEIGHT	CLEARANCE	SPREAD	OUTLET	GPM	HANDLE	VR	NOTES
B-0305	Eterna	5-1/2" rigid gooseneck (120X)	14-1/16" (360 mm)	9-1/16" (230 mm)	5-1/2" (140 mm)	B-LT Stream Regulator	—	Lever	N	
B-0305-LN	Eterna	—	—	—	—	—	—	Lever	N	Less gooseneck
B-0305-VR	Eterna	5-1/2" rigid gooseneck (120X)	14-1/16" (360 mm)	8-9/16" (217 mm)	5-1/2" (140 mm)	B-0199-07 VR aerator	2.2 GPM	Lever	Y	Includes anti-rotation base screws; VR handle screw; VR aerator key
B-0305-VR4	Eterna	5-1/2" rigid gooseneck (120X)	14-1/16" (360 mm)	8-9/16" (217 mm)	5-1/2" (140 mm)	B-0199-07 VR aerator	2.2 GPM	4" Wrist-action	Y	Includes anti-rotation base screws; VR handle screw; VR aerator key
B-0305-01	Eterna	5-1/2" rigid gooseneck (120X)	14-1/16" (360 mm)	8-9/16" (217 mm)	5-1/2" (140 mm)	B-0199-02 aerator	2.2 GPM	Lever	N	
B-0305-03	VR Self-closing metering	5-1/2" rigid gooseneck (120X)	14-1/16" (360 mm)	8-9/16" (217 mm)	5-1/2" (140 mm)	B-0199-07 VR aerator	2.2 GPM	Lever	Y	Includes anti-rotation base screws; VR handle screw; VR aerator key
B-0305-CR	Ceramic	5-1/2" rigid gooseneck (120X)	14-1/16" (360 mm)	9-1/16" (230 mm)	5-1/2" (140 mm)	B-LT Stream Regulator	—	Lever	N	
B-0305-LN-175F	Eterna	—	—	—	—	—	—	Four-arm	N	Less nozzle
B-0305-QT-WS	Eterna (Quarter-turn)	5-1/2" rigid gooseneck (120X)	14-1/16" (360 mm)	8-9/16" (217 mm)	5-1/2" (140 mm)	B-0199-02-WS	1.5 GPM	Lever	N	WaterSense aerator
B-0305-VF22	Eterna	5-1/2" rigid gooseneck (120X)	14-1/16" (360 mm)	8-9/16" (217 mm)	5-1/2" (140 mm)	B-0199-07 VR aerator	2.2 GPM	Lever	Y	VR aerator key

VR Vandal-resistant



Rigid Pantry Faucets

B-0310 Single Pantry Faucet

- Single hole, single temperature wall-mount faucet
- 5-1/2" (140 mm) rigid gooseneck (120X)
- B-LT stream regulator outlet (Series 2)
- Eterna cartridge
- Four arm handle with cold (blue) color coded index
- 2" (51 mm) flange with 1/2" NPT female inlet



B-0310-LN Same as B-0310 except less gooseneck
B-0310-119X-WS Same as B-0310 except with 119X 2-11/16" rigid gooseneck and B-0199-02-WS 1.5 GPM WaterSense aerator

B-0315 Double Pantry Faucet

- Wall-mount vertical mixing faucet
- 5-1/2" (140 mm) rigid gooseneck (120X)
- B-LT stream regulator outlet (Series 2)
- Eterna cartridges
- Four arm handles with color coded indexes
- 3" (76 mm) vertical centers
- 1/2" NPT female eccentric flanged inlets (00AA)



B-0315-LN Same as B-0315 except less gooseneck

B-0320 Double Pantry Faucet

- 8" (203 mm) deck-mount mixing faucet
- 5-1/2" (140 mm) rigid gooseneck (120X)
- B-LT stream regulator outlet (Series 2)
- Eterna cartridges
- Lever handles with color coded indexes
- 1/2" NPT female eccentric flanged inlets (00AA)



B-0320-LN Same as B-0320 except less gooseneck

B-0330 Double Pantry Faucet

- 8" (203 mm) wall-mount mixing faucet
- 5-1/2" (140 mm) rigid gooseneck (120X)
- B-LT stream regulator outlet (Series 2)
- Eterna cartridges
- Lever handles with color coded indexes
- 1/2" NPT female eccentric flanged inlets (00AA)



C
24

MODEL	CARTRIDGE	GOOSENECK	HEIGHT	CLEARANCE	SPREAD	OUTLET	GPM	HANDLE	VR	NOTES
B-0330	Eterna	5-1/2" rigid gooseneck (120X)	10-7/8" (277 mm)	5-7/8" (149 mm)	5-1/2" (140 mm)	B-LT Stream Regulator	—	Lever	N	
B-0330-01	Eterna	2-5/8" rigid gooseneck (119X)	9-3/8" (238 mm)	5-7/8" (149 mm)	2-5/8" (67 mm)	B-LT Stream Regulator	—	Lever	N	
B-0330-01-W4F12	Eterna	2-5/8" rigid gooseneck (119X)	9-3/8" (238 mm)	5-5/16" (136 mm)	2-5/8" (67 mm)	B-0199-02F-12 aerator	1.2 GPM	4" Wrist-action	N	
B-0330-01-WH4	Eterna	2-5/8" rigid gooseneck (119X)	9-3/8" (238 mm)	5-7/8" (149 mm)	2-5/8" (67 mm)	B-LT Stream Regulator	—	4" Wrist-action	N	
B-0330-04	Eterna	5-1/2" rigid gooseneck (120X)	10-7/8" (277 mm)	5-7/8" (149 mm)	5-1/2" (140 mm)	B-LT Stream Regulator	—	4" Wrist-action	N	
B-0330-BST	Eterna	5-1/2" rigid gooseneck (120X)	10-7/8" (277 mm)	5-7/8" (149 mm)	5-1/2" (140 mm)	B-LT Stream Regulator	—	Lever	N	-BST built-in stops
B-0330-LN	Eterna	—	—	—	—	—	—	Lever	N	Less gooseneck
B-0330CR-PRISON	Cerama	5-1/2" rigid gooseneck (120X)	10-7/8" (277 mm)	5-7/16" (138 mm)	5-9/16" (141 mm)	B-0199-07F-10 VR aerator with flow control	1.0 GPM	Lever (solid brass chrome plated)	Y	Includes VR handle screws; VR aerator key

VR Vandal-resistant



Rigid Pantry Faucets

B-0326 Double Pantry Faucet

- 4" (102 mm) deck-mount mixing faucet
- 5-1/2" (140 mm) rigid gooseneck (120X)
- B-LT stream regulator outlet (Series 2)
- Eterna cartridges
- Lever handles with color coded indexes
- 1/2" NPT female eccentric flanged inlets (00AA)



B-0326-LN Same as B-0326 except less gooseneck
B-0328-CR-VF05 Same as B-0326 except with Cerama cartridges, 4" wrist-action handles and B-0199-07-N05 non-aerated VR outlet device (0.5 GPM)

B-0342 Double Pantry Faucet

- Wall-mount mixing faucet
- 5-1/2" (140 mm) rigid gooseneck (120X)
- B-LT stream regulator outlet (Series 2)
- Eterna cartridges
- Lever handles with color coded indexes
- 1/2" NPT female inlet adjustable arms from 2-1/4" (57 mm) to 8-1/4" (210 mm) above or below C/C with built-in stops (00XX)



B-0342-LN Same as B-0342 except less gooseneck
B-0342CR-PRISON Same as B-0342 except with vandal-resistant flow control aerator B-0199-07F-10 (1.0 GPM), chrome plated brass lever handles and vandal-resistant screws

B-0340 Double Pantry Faucet

- Wall-mount mixing faucet
- 5-1/2" (140 mm) rigid gooseneck (120X)
- B-LT stream regulator outlet (Series 2)
- Eterna cartridges
- Lever handles with color coded indexes
- 1/2" NPT female adjustable inlet arms from 2-1/4" (57 mm) to 8-1/4" (210 mm) above or below C/C (00GG)



B-0340-LN Same as B-0340 except less gooseneck

B-0345 Double Pantry Faucet

- 3-3/8" (86 mm) wall-mount mixing faucet
- 5-1/2" (140 mm) rigid gooseneck (120X)
- B-LT stream regulator outlet (Series 2)
- Eterna cartridges
- Lever handles with color coded indexes
- 1/2" NPT female eccentric flanged inlets (00AA)



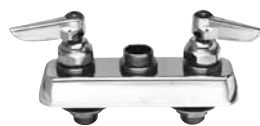
B-0345-LN Same as B-0345 except less gooseneck

Looking for Nozzles, Aerators, Goosenecks and Handles?
 See Our **NEW Accessories** section in the G-11



1-800-476-4103 (East Coast)
1-800-423-0150 (West Coast)

Base Faucets



See p. C28



See p. C28

B-1100-LN Workboard Faucet

- 3-1/2" (89 mm) deck-mount workboard faucet
- Forged brass body
- Removable seats
- 6-1/2" (165 mm) long x 2" (51 mm) wide chrome plated escutcheon
- 1" (25 mm) long shanks
- 1/2" NPT male inlets
- Includes tailpieces and nuts for 1/4" NPT connections (150A)

B-1105-LN Workboard Faucet

- 3-1/2" (89 mm) wall-mount workboard faucet
- Forged brass body
- Removable seats
- 6-1/2" (165 mm) long x 2" (51 mm) wide chrome plated escutcheon
- 1" (25 mm) long shanks
- 1/2" NPT male inlets
- Includes tailpieces and nuts for 1/4" NPT connections (150A)

Nozzles

Swing Nozzle

- With B-PT stream regulator outlet



059X 6" (152 mm)

B-1100
B-1100-M Master Box (6)
B-1100-LN Less nozzle

B-1105
B-1105-M Master Box (6)
B-1105-LN Less nozzle

060X 8" (203 mm)

B-1101

B-1106

061X 10" (254 mm)

B-1102
B-1102-M Master Box (6)

B-1107

062X 12" (305 mm)

B-1103
B-1103-M Master Box (6)

B-1108

Double-Joint Nozzle

- With B-PT stream regulator outlet



068X 18" (457 mm)

B-1130

B-1135

Swivel Gooseneck

- With B-PT stream regulator outlet



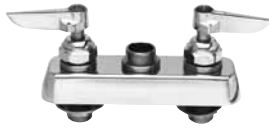
133X

B-1140

B-1145

Other Nozzles

Other Nozzles
(not shown above)



See p. C29



See p. C30



See p. C30-31



See p. C32

B-1110-LN
Workboard Faucet

- 4" (102 mm) deck-mount workboard faucet
- Forged brass body
- Removable seats
- 6-1/2" (165 mm) long x 2" (51 mm) wide chrome plated escutcheon
- 1" (25 mm) long shanks
- 1/2" NPT male inlets
- Includes tailpieces and nuts for 1/4" NPT connections (150A)

B-1115-LN
Workboard Faucet

- 4" (102 mm) wall-mount workboard faucet
- Forged brass body
- Removable seats
- 6-1/2" (165 mm) long x 2" (51 mm) wide chrome plated escutcheon
- 1" (25 mm) long shanks
- 1/2" NPT male inlets
- Includes tailpieces and nuts for 1/4" NPT connections (150A)

B-1120-LN
Workboard Faucet

- 8" (203 mm) deck-mount workboard faucet
- Forged brass body
- Removable seats
- 10-1/2" (267 mm) long x 2" (51 mm) wide chrome plated escutcheon
- 1" (25 mm) long shanks
- 1/2" NPT male inlets
- Includes tailpieces and nuts for 1/4" NPT connections (150A)

B-1125-LN
Workboard Faucet

- 8" (203 mm) wall-mount workboard faucet
- Forged brass body
- Removable seats
- 10-1/2" (267 mm) long x 2" (51 mm) wide chrome plated escutcheon
- 1" (25 mm) long shanks
- 1/2" NPT male inlets
- Includes tailpieces and nuts for 1/4" NPT connections (150A)

B-1110
B-1110-M Master Box (6)
B-1110-QT Quarter-turn spindles
B-1110-XS with 2" (51 mm) long shank
B-1110-XS-LN less Nozzle
B-1110-XS-LNM Master Box (6)

B-1115
B-1115-M Master Box (6)
B-1115-XS with 2" (51 mm) long shank

B-1120
B-1120-F22 with 2.2 GPM aerator
B-1120-M Master Box (6)
B-1120-QT Quarter-turn spindles
B-1120-XS 2" (51 mm) long shank

B-1125
B-1125-M Master Box (6)

B-1111
B-1111-M Master Box (6)
B-1111-XS with 2" (51 mm) long shank

B-1116
B-1116-M Master Box (6)

B-1121
B-1121-M Master Box (6)
B-1121-XS with 2" (51 mm) long shank

B-1126
B-1126-M Master Box (6)
B-1126-XS 2" (51 mm) long shank

B-1112
B-1112-M Master Box (6)
B-1112-XS with 2" (51 mm) long shank

B-1117
B-1117-M Master Box (6)

B-1122
B-1122-M Master Box (6)
B-1122-XS with 2" (51 mm) long shank

B-1127
B-1127-M Master Box (6)

B-1113
B-1113-M Master Box (6)
B-1113-XS with 2" (51 mm) long shank

B-1118
B-1118-M Master Box (6)

B-1123
B-1123-M Master Box (6)
B-1123-XS with 2" (51 mm) long shank
B-1124 with 2.2 GPM aerator

B-1128
B-1128-M Master Box (6)
B-1128-XS with 2" (51 mm) long shank

B-1131
B-1131-XS with 2" (51 mm) long shank

B-1136

B-1132

B-1137

B-1141
B-1141-XS with 2" (51 mm) long shank

B-1146
B-1146-XS with 2" (51 mm) long shank
B-1146-04 with B-WH4 handles and B-0199-01 aerator

B-1142
B-1142-04A-QT with 4" Wrist-action handles, 2.2 GPM aerator and quarter-turn cartridges
B-1142-XS with 2" (51 mm) long shank

B-1147

B-1110-120X with B-LT stream reg.
B-1110-133X 4" Wrist-action handles
B-1110-LN less nozzle
B-1110-LN-WH4 4" Wrist-action handles
B-1110-LNM Master Box (6)

B-1115-131X-WH4 2-13/16" swivel gooseneck and 4" Wrist-action handles
B-1115-132X-02 4" Wrist-action handles and B-LT stream regulator
B-1115-132X with B-PT stream reg.
B-1115-LN less nozzle
B-1115-LNM Master Box (6)

Workboard Faucets



B-1100
Workboard Faucet, 3½" Centers

- 3-1/2" (89 mm) deck-mount workboard faucet
- Removable seats
- 6" (152 mm) swing nozzle (059X)
- B-PT stream regulator (Series 1)
- Lever handles with color coded indexes
- Chrome plated escutcheon, 6-1/2" (165 mm) long x 2" (51 mm) wide
- 1" (25 mm) long shanks with 1/2" NPT male threads
- Includes (150A) tailpieces and nuts for 1/4" NPT connections



MODEL	CARTRIDGE	NOZZLE	HEIGHT	CLEARANCE	SPREAD	OUTLET	GPM	HANDLE	VR	NOTES
B-1100	B-1100 spindles	6" Swing nozzle (059X)	5-13/16" (148 mm)	3-1/8" (79 mm)	6" (152 mm)	B-PT Stream Regulator	—	Lever	N	
B-1100-LN	B-1100 spindles	—	—	—	—	—	—	Lever	N	Less nozzle
B-1100-LNM	B-1100 spindles	—	—	—	—	—	—	Lever	N	-LN Master carton of 6
B-1100-M	B-1100 spindles	6" Swing nozzle (059X)	5-13/16" (148 mm)	3-1/8" (79 mm)	6" (152 mm)	B-PT Stream Regulator	—	Lever	N	B-1100 Master carton of 6
B-1101	B-1100 spindles	8" Swing nozzle (060X)	6-9/16" (166 mm)	3-13/16" (97 mm)	8" (203 mm)	B-PT Stream Regulator	—	Lever	N	
B-1102	B-1100 spindles	10" Swing nozzle (061X)	7-1/4" (184 mm)	4-1/2" (114 mm)	10" (254 mm)	B-PT Stream Regulator	—	Lever	N	
B-1103	B-1100 spindles	12" Swing nozzle (062X)	7-15/16" (202 mm)	5-3/16" (131 mm)	12" (305 mm)	B-PT Stream Regulator	—	Lever	N	
B-1130	B-1100 spindles	18" Double-joint swing nozzle (068X)	7-15/16" (202 mm)	5-1/8" (130 mm)	18" (457 mm)	B-PT Stream Regulator	—	Lever	N	
B-1140	B-1100 spindles	5-11/16" Swivel gooseneck (133X)	11-3/16" (284 mm)	7-1/16" (179 mm)	5-11/16" (145 mm)	B-PT Stream Regulator	—	Lever	N	

VR Vandal-resistant

C
28

B-1105
Workboard Faucet, 3½" Centers

- 3-1/2" (89 mm) wall-mount workboard faucet
- Removable seats
- 6" (152 mm) swing nozzle (059X)
- B-PT stream regulator (Series 1)
- Lever handles with color coded indexes
- Chrome plated escutcheon, 6-1/2" (165 mm) long x 2" (51 mm) wide
- 1" (25 mm) long shanks with 1/2" NPT male threads
- Includes (150A) tailpieces and nuts for 1/4" NPT connections



Note: Order the B-1100-K Elbow kit separately; includes (2) 1/2" NPT male x female short els

MODEL	CARTRIDGE	NOZZLE	HEIGHT	CLEARANCE	SPREAD	OUTLET	GPM	HANDLE	VR	NOTES
B-1105	B-1100 spindles	6" Swing nozzle (059X)	5-7/16" (137 mm)	2-11/16" (69 mm)	6" (152 mm)	B-PT Stream Regulator	—	Lever	N	
B-1105-LN	B-1100 spindles	—	—	—	—	—	—	Lever	N	Less nozzle
B-1105-LNM	B-1100 spindles	—	—	—	—	—	—	Lever	N	-LN Master carton of 6
B-1106	B-1100 spindles	8" Swing nozzle (060X)	6" (152 mm)	3-1/4" (83 mm)	8" (203 mm)	B-PT Stream Regulator	—	Lever	N	
B-1107	B-1100 spindles	10" Swing nozzle (061X)	6-3/4" (171 mm)	4" (102 mm)	10" (254 mm)	B-PT Stream Regulator	—	Lever	N	
B-1108	B-1100 spindles	12" Swing nozzle (062X)	7-3/8" (187 mm)	4-5/8" (118 mm)	12" (305 mm)	B-PT Stream Regulator	—	Lever	N	
B-1135	B-1100 spindles	18" Double-joint swing nozzle (068X)	7-7/16" (188 mm)	4-5/8" (118 mm)	18" (457 mm)	B-PT Stream Regulator	—	Lever	N	
B-1145	B-1100 spindles	5-11/16" Swivel gooseneck (133X)	10-11/16" (271 mm)	6-9/16" (166 mm)	5-11/16" (145 mm)	B-PT Stream Regulator	—	Lever	N	

VR Vandal-resistant



Workboard Faucets

B-1110 Workboard Faucet, 4" Centers

- 4" (102 mm) deck-mount workboard faucet
- Removable seats
- 6" (152 mm) swing nozzle (059X)
- B-PT stream regulator (Series 1)
- Lever handles with color coded indexes
- Chrome plated escutcheon, 6-1/2" (165 mm) long x 2" (51 mm) wide
- 1" (25 mm) long shanks with 1/2" NPT male threads
- Includes (150A) tailpieces and nuts for 1/4" NPT connections



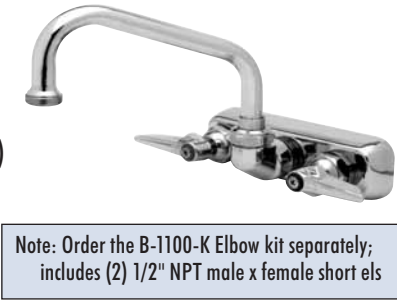
MODEL	CARTRIDGE	NOZZLE	HEIGHT	CLEARANCE	SPREAD	OUTLET	GPM	HANDLE	VR	NOTES
B-1110	B-1100 spindles	6" Swing nozzle (059X)	5-15/16" (151 mm)	3-1/4" (82 mm)	6" (152 mm)	B-PT Stream Regulator	—	Lever	N	
B-1110-120X	B-1100 spindles	5-1/2" Rigid goose-neck (120X)	10-15/16" (278 mm)	5-7/8" (150 mm)	5-1/2" (140 mm)	B-LT Stream Regulator	—	Lever	N	B-0413 Rigid to swivel adapter
B-1110-131X-WH4	B-1100 spindles w/ Teflon washers	2-13/16" Swivel gooseneck (131X)	5-5/8" (142 mm)	3-3/8" (86 mm)	2-13/16" (71 mm)	B-PT Stream Regulator	—	4" Wrist-action	N	
B-1110-LN	B-1100 spindles	—	—	—	—	—	—	Lever	N	Less swing nozzle
B-1110-LN-WH4	B-1100 spindles w/ Teflon washers	—	—	—	—	—	—	4" Wrist-action	N	Less swing nozzle
B-1110-LNM	B-1100 spindles	—	—	—	—	—	—	Lever	N	B-1110-LN Master carton of 6
B-1110-M	B-1100 spindles	6" Swing nozzle (059X)	5-15/16" (151 mm)	3-1/4" (82 mm)	6" (152 mm)	B-PT Stream Regulator	—	Lever	N	B-1110 Master carton of 6
B-1110-QT	B-1100 spindles Quarter-turn	6" Swing nozzle (059X)	5-15/16" (151 mm)	3-1/4" (82 mm)	6" (152 mm)	B-PT Stream Regulator	—	Lever	N	Quarter-turn spindles
B-1110-XS	B-1100 spindles	6" Swing nozzle (059X)	5-15/16" (151 mm)	3-1/4" (82 mm)	6" (152 mm)	B-PT Stream Regulator	—	Lever	N	2" extended shanks
B-1110-XS-LN	B-1100 spindles	—	—	—	—	—	—	Lever	N	Less nozzle; 2" ext. shanks
B-1110-XS-LNM	B-1100 spindles	—	—	—	—	—	—	Lever	N	-XS-LN Master carton of 6
B-1111	B-1100 spindles	8" Swing nozzle (060X)	6-9/16" (166 mm)	3-13/16" (96 mm)	8" (203 mm)	B-PT Stream Regulator	—	Lever	N	
B-1111-M	B-1100 spindles	8" Swing nozzle (060X)	6-9/16" (166 mm)	3-13/16" (96 mm)	8" (203 mm)	B-PT Stream Regulator	—	Lever	N	B-1111 Master carton of 6
B-1111-XS	B-1100 spindles	8" Swing nozzle (060X)	6-9/16" (166 mm)	3-13/16" (96 mm)	8" (203 mm)	B-PT Stream Regulator	—	Lever	N	2" extended shanks
B-1112	B-1100 spindles	10" Swing nozzle (061X)	7-1/4" (188 mm)	4-1/2" (118 mm)	10" (254 mm)	B-PT Stream Regulator	—	Lever	N	
B-1112-M	B-1100 spindles	10" Swing nozzle (061X)	7-1/4" (188 mm)	4-1/2" (118 mm)	10" (254 mm)	B-PT Stream Regulator	—	Lever	N	B-1112 Master carton of 6
B-1112-XS	B-1100 spindles	10" Swing nozzle (061X)	7-1/4" (188 mm)	4-1/2" (118 mm)	10" (254 mm)	B-PT Stream Regulator	—	Lever	N	2" extended shanks
B-1113	B-1100 spindles	12" Swing nozzle (062X)	7-15/16" (201 mm)	5-3/16" (131 mm)	12" (305 mm)	B-PT Stream Regulator	—	Lever	N	
B-1113-M	B-1100 spindles	12" Swing nozzle (062X)	7-15/16" (201 mm)	5-3/16" (131 mm)	12" (305 mm)	B-PT Stream Regulator	—	Lever	N	B-1113 Master carton of 6
B-1113-XS	B-1100 spindles	12" Swing nozzle (062X)	7-15/16" (201 mm)	5-3/16" (131 mm)	12" (305 mm)	B-PT Stream Regulator	—	Lever	N	2" extended shanks
B-1131	B-1100 spindles	18" Double-joint swing nozzle (068X)	7-15/16" (201 mm)	5-3/16" (131 mm)	18" (457 mm)	B-PT Stream Regulator	—	Lever	N	
B-1131-XS	B-1100 spindles	18" Double-joint swing nozzle (068X)	7-15/16" (201 mm)	5-3/16" (131 mm)	18" (457 mm)	B-PT Stream Regulator	—	Lever	N	2" extended shanks
B-1141	B-1100 spindles	5-3/4" Swivel gooseneck (133X)	11-1/8" (283 mm)	7-1/8" (180 mm)	5-3/4" (145 mm)	B-PT Stream Regulator	—	Lever	N	
B-1141-XS	B-1100 spindles	5-3/4" Swivel gooseneck (133X)	11-1/8" (283 mm)	7-1/8" (180 mm)	5-3/4" (145 mm)	B-PT Stream Regulator	—	Lever	N	2" extended shanks



Workboard Faucets

**B-1115
Workboard Faucet, 4" Centers**

- 4" (102 mm) wall-mounted workboard faucet
- Removable seats
- 6" (152 mm) swing nozzle (059X) and B-PT stream regulator (Series 1)
- Lever handles with color coded indexes
- Chrome plated escutcheon, 6-1/2" (165 mm) long x 2" (51 mm) wide
- 1" (25 mm) long shanks with 1/2" NPT male threads
- Includes (150A) tailpieces and nuts for 1/4" NPT connections



MODEL	CARTRIDGE	NOZZLE	HEIGHT	CLEARANCE	SPREAD	OUTLET	GPM	HANDLE	VR	NOTES
B-1115	B-1100 spindles	6" Swing nozzle (059X)	5-5/16" (135 mm)	2-11/16" (69 mm)	6" (152 mm)	B-PT Stream Regulator	—	Lever	N	
B-1115-131X-WH4	B-1100 spindles w/ Teflon washers	2-13/16" Swivel gooseneck (131X)	5" (127 mm)	2-13/16" (71 mm)	2-13/16" (71 mm)	B-PT Stream Regulator	—	4" Wrist-action	N	
B-1115-132X	B-1100 spindles w/ Teflon washers	2-5/8" Swivel gooseneck (132X)	9-3/8" (238 mm)	5-7/8" (150 mm)	2-5/8" (67 mm)	B-LT Stream Regulator	—	Lever	N	
B-1115-132X-02	B-1100 spindles w/ Teflon washers	2-5/8" Swivel gooseneck (132X)	9-3/8" (238 mm)	5-7/8" (150 mm)	2-5/8" (67 mm)	B-LT Stream Regulator	—	4" Wrist-action	N	
B-1115-LN	B-1100 spindles	—	—	—	—	—	—	Lever	N	Less nozzle
B-1115-LNM	B-1100 spindles	—	—	—	—	—	—	Lever	N	-LN Master carton of 6
B-1115-M	B-1100 spindles	6" Swing nozzle (059X)	5-5/16" (135 mm)	2-11/16" (69 mm)	6" (152 mm)	B-PT Stream Regulator	—	Lever	N	B-1115 Master carton of 6
B-1115-XS	B-1100 spindles	6" Swing nozzle (059X)	5-5/16" (135 mm)	2-11/16" (69 mm)	6" (152 mm)	B-PT Stream Regulator	—	Lever	N	2" extended shanks
B-1116	B-1100 spindles	8" Swing nozzle (060X)	6" (152 mm)	3-1/4" (83 mm)	8" (203 mm)	B-PT Stream Regulator	—	Lever	N	
B-1116-M	B-1100 spindles	8" Swing nozzle (060X)	6" (152 mm)	3-1/4" (83 mm)	8" (203 mm)	B-PT Stream Regulator	—	Lever	N	
B-1117	B-1100 spindles	10" Swing nozzle (061X)	6-3/4" (171 mm)	4" (102 mm)	10" (254 mm)	B-PT Stream Regulator	—	Lever	N	
B-1117-M	B-1100 spindles	10" Swing nozzle (061X)	6-3/4" (171 mm)	4" (102 mm)	10" (254 mm)	B-PT Stream Regulator	—	Lever	N	
B-1118	B-1100 spindles	12" Swing nozzle (062X)	7-3/8" (187 mm)	4-5/8" (118 mm)	12" (305 mm)	B-PT Stream Regulator	—	Lever	N	
B-1118-M	B-1100 spindles	12" Swing nozzle (062X)	7-3/8" (187 mm)	4-5/8" (118 mm)	12" (305 mm)	B-PT Stream Regulator	—	Lever	N	
B-1136	B-1100 spindles	18" Double-joint swing nozzle (068X)	7-7/16" (188 mm)	4-5/8" (118 mm)	18" (457 mm)	B-PT Stream Regulator	—	Lever	N	

VR Vandal-resistant

**B-1120
Workboard Faucet, 8" Centers**

- 8" (203 mm) deck-mount workboard faucet
- Removable seats
- 6" (152 mm) swing nozzle (059X)
- B-PT stream regulator (Series 1)
- Lever handles with color coded indexes
- Chrome plated escutcheon, 10-1/2" (267 mm) long x 2" (51 mm) wide
- 1" (25 mm) long shanks with 1/2" NPT male threads
- Includes (150A) tailpieces and nuts for 1/4" NPT connections



MODEL	CARTRIDGE	NOZZLE	HEIGHT	CLEARANCE	SPREAD	OUTLET	GPM	HANDLE	VR	NOTES
B-1120	B-1100 spindles	6" Swing nozzle (059X)	5-15/16" (151 mm)	3-1/4" (82 mm)	6" (152 mm)	B-PT Stream Regulator	—	Lever	N	
B-1120-OCS6-WH4	B-1100 spindles	OCS6 Swivel cast spout	4-9/16" (116 mm)	1-9/16" (39 mm)	6" (152 mm)	B-0199-02 Aerator	2.2 GPM	4" Wrist-action	N	

VR Vandal-resistant



Workboard Bar / Sink Faucets

B-1120 Workboard Faucet, 8" Centers

- 8" (203 mm) deck-mount workboard faucet
- Removable seats
- 6" (152 mm) swing nozzle (059X)
- B-PT stream regulator (Series 1)
- Lever handles with color coded indexes
- Chrome plated escutcheon, 10-1/2" (267 mm) long x 2" (51 mm) wide
- 1" (25 mm) long shanks with 1/2"NPT male threads
- Includes (150A) tailpieces and nuts for 1/4" NPT connections



B-1120 FAUCETS, cont.

MODEL	CARTRIDGE	NOZZLE	HEIGHT	CLEARANCE	SPREAD	OUTLET	GPM	HANDLE	VR	NOTES
B-1120-135X-WH4	B-1100 spindles w/Teflon washer	Swivel gooseneck (135X)	12-7/8" (328 mm)	6-1/2" (165 mm)	8-3/4" (223 mm)	B-LT Stream Regulator	—	4" Wrist-action	N	
B-1120-F22	B-1100 spindles	6" Swing nozzle (059X)	5-15/16" (151 mm)	2-3/4" (70 mm)	6" (152 mm)	B-0199-01 aerator	2.2 GPM	Lever	N	
B-1120-LN	B-1100 spindles	—	—	—	—	—	—	Lever	N	Less nozzle
B-1120-LN-WH4	B-1100 spindles w/Teflon washer	—	—	—	—	—	—	4" Wrist-action	N	Less nozzle
B-1120-LNM	B-1100 spindles	—	—	—	—	—	—	Lever	N	Less nozzle; -LN Master carton of 6
B-1120-M	B-1100 spindles	6" Swing nozzle (059X)	5-15/16" (151 mm)	3-1/4" (82 mm)	6" (152 mm)	B-PT Stream Regulator	—	Lever	N	B-1120 Master carton of 6
B-1120-QT	B-1100 spindles quarter-turn	6" Swing nozzle (059X)	5-15/16" (151 mm)	3-1/4" (82 mm)	6" (152 mm)	B-PT Stream Regulator	—	Lever	N	
B-1120-QT-WS	B-1100 spindles quarter-turn	6" Swing nozzle (059X)	5-15/16" (151 mm)	2-15/16" (75 mm)	6" (152 mm)	B-0199-01-WS aerator	1.5 GPM	Lever	N	WaterSense aerator
B-1120-XS	B-1100 spindles	6" Swing nozzle (059X)	5-15/16" (151 mm)	3-1/4" (82 mm)	6" (152 mm)	B-PT Stream Regulator	—	Lever	N	2" extended shanks
B-1120-XS-LN	B-1100 spindles	—	—	—	—	—	—	Lever	N	Less nozzle; 2" extended shanks
B-1120-XS-LNM	B-1100 spindles	—	—	—	—	—	—	Lever	N	-XS-LN Master carton of 6
B-1121	B-1100 spindles	8" Swing nozzle (060X)	6-9/16" (166 mm)	3-3/4" (96 mm)	8" (203 mm)	B-PT Stream Regulator	—	Lever	N	
B-1121-M	B-1100 spindles	8" Swing nozzle (060X)	6-9/16" (166 mm)	3-3/4" (96 mm)	8" (203 mm)	B-PT Stream Regulator	—	Lever	N	B-1121 Master carton of 6
B-1121-QT-A22	B-1100 spindles quarter-turn	8" Swing nozzle (060X)	6-9/16" (166 mm)	3-5/16" (84 mm)	6" (152 mm)	B-0199-01 aerator	2.2 GPM	Lever	N	
B-1121-XS	B-1100 spindles	8" Swing nozzle (060X)	6-9/16" (166 mm)	3-3/4" (96 mm)	8" (203 mm)	B-PT Stream Regulator	—	Lever	N	2" extended shanks
B-1122	B-1100 spindles	10" Swing nozzle (061X)	7-1/4" (184 mm)	4-1/2" (115 mm)	10" (254 mm)	B-PT Stream Regulator	—	Lever	N	
B-1122-F22	B-1100 spindles	10" Swing nozzle (061X)	7-1/4" (184 mm)	4-1/16" (104 mm)	10" (254 mm)	B-0199-01 aerator	2.2 GPM	Lever	N	
B-1122-M	B-1100 spindles	10" Swing nozzle (061X)	7-1/4" (184 mm)	4-1/2" (115 mm)	10" (254 mm)	B-PT Stream Regulator	—	Lever	N	B-1122 Master carton of 6
B-1122-XS	B-1100 spindles	10" Swing nozzle (061X)	7-1/4" (184 mm)	4-1/2" (115 mm)	10" (254 mm)	B-PT Stream Regulator	—	Lever	N	2" extended shanks
B-1123	B-1100 spindles	12" Swing nozzle (062X)	7-7/8" (201 mm)	5-3/16" (131 mm)	12" (305 mm)	B-PT Stream Regulator	—	Lever	N	
B-1123-M	B-1100 spindles	12" Swing nozzle (062X)	7-7/8" (201 mm)	5-3/16" (131 mm)	12" (305 mm)	B-PT Stream Regulator	—	Lever	N	B-1123 Master carton of 6
B-1123-XS	B-1100 spindles	12" Swing nozzle (062X)	7-7/8" (201 mm)	5-3/16" (131 mm)	12" (305 mm)	B-PT Stream Regulator	—	Lever	N	2" extended shanks
B-1132	B-1100 spindles	18" Double-joint swing nozzle (068X)	7-15/16" (202 mm)	5-1/8" (130 mm)	18" (457 mm)	B-PT Stream Regulator	—	Lever	N	

Workboard Faucets



B-1125
Workboard Faucet, 8" Centers

- 8" (203 mm) wall-mount workboard faucet
- Removable seats
- 6" (152 mm) swing nozzle (059X)
- B-PT stream regulator (Series 1)
- Lever handles with color coded indexes
- Chrome plated escutcheon, 10-1/2" (267 mm) long x 2" (51 mm) wide
- 1" (25 mm) long shanks with 1/2" NPT male threads
- Includes (150A) tailpieces and nuts for 1/4" NPT connections



Note: Order the B-1100-K Elbow kit separately; includes (2) 1/2" NPT male x female short els

MODEL	CARTRIDGE	NOZZLE	HEIGHT	CLEARANCE	SPREAD	OUTLET	GPM	HANDLE	VR	NOTES
B-1125	B-1100 spindles	6" Swing nozzle (059X)	5-7/16" (137 mm)	2-5/8" (66 mm)	6" (152 mm)	B-PT Stream Regulator	—	Lever	N	
B-1125-LN	B-1100 spindles	—	—	—	—	—	—	Lever	N	Less nozzle
B-1125-LNM	B-1100 spindles	—	—	—	—	—	—	Lever	N	-LN Master carton of 6
B-1125-M	B-1100 spindles	6" Swing nozzle (059X)	5-7/16" (137 mm)	2-5/8" (66 mm)	6" (152 mm)	B-PT Stream Regulator	—	Lever	N	B-1125 Master carton of 6
B-1125-XS	B-1100 spindles	6" Swing nozzle (059X)	5-7/16" (137 mm)	2-5/8" (66 mm)	6" (152 mm)	B-PT Stream Regulator	—	Lever	N	2" extended shanks
B-1125-XS-HM	B-1100 spindles quarter-turn, Teflon washers	3" Swivel gooseneck	5" (126 mm)	2-3/8" (60 mm)	2-15/16" (74 mm)	B-0199-29VR VR laminar flow device	1.5 GPM	4" Wrist-action	Y	Swivel to rigid option; VR aerator key; inc. (2) B-1100-K 1/2" NPT male x female short els
B-1126	B-1100 spindles	8" Swing nozzle (060X)	6" (152 mm)	3-1/4" (82 mm)	8" (203 mm)	B-PT Stream Regulator	—	Lever	N	
B-1126-M	B-1100 spindles	8" Swing nozzle (060X)	6" (152 mm)	3-1/4" (82 mm)	8" (203 mm)	B-PT Stream Regulator	—	Lever	N	B-1126 Master carton of 6
B-1126-XS	B-1100 spindles	8" Swing nozzle (060X)	6" (152 mm)	3-1/4" (82 mm)	8" (203 mm)	B-PT Stream Regulator	—	Lever	N	2" extended shanks
B-1127	B-1100 spindles	10" Swing nozzle (061X)	6-5/8" (168 mm)	3-15/16" (100 mm)	10" (254 mm)	B-PT Stream Regulator	—	Lever	N	
B-1127-M	B-1100 spindles	10" Swing nozzle (061X)	6-5/8" (168 mm)	3-15/16" (100 mm)	10" (254 mm)	B-PT Stream Regulator	—	Lever	N	B-1127 Master carton of 6
B-1128	B-1100 spindles	12" Swing nozzle (062X)	7-3/8" (187 mm)	4-5/8" (117 mm)	12" (305 mm)	B-PT Stream Regulator	—	Lever	N	
B-1128-M	B-1100 spindles	12" Swing nozzle (062X)	7-3/8" (187 mm)	4-5/8" (117 mm)	12" (305 mm)	B-PT Stream Regulator	—	Lever	N	B-1128 Master carton of 6
B-1128-XS	B-1100 spindles	12" Swing nozzle (062X)	7-3/8" (187 mm)	4-5/8" (117 mm)	12" (305 mm)	B-PT Stream Regulator	—	Lever	N	2" extended shanks
B-1137	B-1100 spindles	18" Double-joint swing nozzle (068X)	7-7/16" (189 mm)	4-5/8" (117 mm)	18" (457 mm)	B-PT Stream Regulator	—	Lever	N	
B-1147	B-1100 spindles	5-11/16" Swivel gooseneck (133X)	10-5/8" (270 mm)	6-9/16" (167 mm)	5-11/16" (145 mm)	B-PT Stream Regulator	—	Lever	N	
B-2289	B-1100 spindles	—	—	—	—	—	—	Four-arm	N	Less nozzle
B-2291	B-1100 spindles	14" Swing nozzle (063X)	8-5/16" (211 mm)	5-5/16" (135 mm)	14" (356 mm)	B-0199-01 aerator	2.2 GPM	Lever	N	

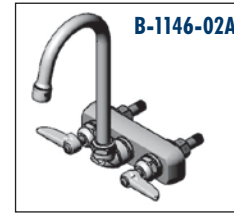
VR Vandal-resistant



Workboard Bar / Sink Faucets

B-1146 Workboard Faucet, 4" Centers

- 4" (102 mm) wall-mount workboard faucet
- Removable seats
- 5-11/16" swivel gooseneck (133X) with swivel outlet elbow
- B-PT stream regulator (Series 1)
- Lever handles with color coded indexes
- Chrome plated escutcheon, 6-1/2" (165 mm) long x 2" (51 mm) wide



- 1" (25 mm) long shanks with 1/2" NPT male threads
- Includes (150A) tailpieces and nuts for 1/4" NPT connections

Note: Order the B-1100-K Elbow kit separately; includes (2) 1/2" NPT male x female short els

MODEL	CARTRIDGE	GOOSENECK	HEIGHT	CLEARANCE	SPREAD	OUTLET	GPM	HANDLE	VR	NOTES
B-1146	B-1100 spindles	5-11/16" Swivel gooseneck (133X)	10-11/16" (270 mm)	6-3/4" (155 mm)	5-11/16" (146 mm)	B-PT Stream Regulator	—	Lever	N	
B-1146-01	B-1100 spindles	2-13/16" Swivel gooseneck (131X)	5-1/8" (129 mm)	2-13/16" (71 mm)	2-13/16" (71 mm)	B-PT Stream Regulator	—	Lever	N	
B-1146-01-WS	B-1100 spindles	2-13/16" Swivel gooseneck (131X)	5" (127 mm)	2-3/8" (61 mm)	2-13/16" (71 mm)	B-0199-01-WS aerator	1.5 GPM	Lever	N	WaterSense aerator
B-1146-01A	B-1100 spindles	2-15/16" Swivel gooseneck (008978-40)	5" (127 mm)	2-3/8" (61 mm)	2-15/16" (74 mm)	B-0199-01 aerator	2.2 GPM	Lever	N	
B-1146-01A-W4EK	B-1100 spindles w/Teflon washers	2-15/16" Swivel gooseneck (008978-40)	5" (127 mm)	2-3/8" (61 mm)	2-15/16" (74 mm)	B-0199-01 aerator	2.2 GPM	4" Wrist-action	N	Includes (2) B-1100-K 1/2" NPT male x female short els
B-1146-02A	B-1100 spindles w/Teflon washers	4-3/8" Swivel gooseneck (017907-40)	9-9/16" (243 mm)	6" (152 mm)	4-3/8" (111 mm)	B-0199-01 aerator	2.2 GPM	Lever	N	
B-1146-02A-WH4	B-1100 spindles w/Teflon washers	4-3/8" Swivel gooseneck (017907-40)	9-9/16" (243 mm)	6" (152 mm)	4-3/8" (111 mm)	B-0199-01 aerator	2.2 GPM	4" Wrist-action	N	
B-1146-04	B-1100 spindles w/Teflon washers	5-3/4" Swivel gooseneck (133X-AER)	10-11/16" (270 mm)	6-1/8" (155 mm)	5-3/4" (146 mm)	B-0199-01 aerator	2.2 GPM	Lever	N	
B-1146-04-WS	B-1100 spindles w/Teflon washers	5-3/4" Swivel gooseneck (133X)	10-11/16" (270 mm)	6-1/8" (155 mm)	5-3/4" (146 mm)	B-0199-01-WS aerator	1.5 GPM	Lever	N	WaterSense aerator
B-1146-WS	B-1100 spindles	5-3/4" Swivel gooseneck (133X)	10-11/16" (270 mm)	6-1/8" (155 mm)	5-3/4" (146 mm)	B-0199-01-WS aerator	1.5 GPM	Lever	N	WaterSense aerator
B-1146-XS	B-1100 spindles	5-3/4" Swivel gooseneck (133X)	10-11/16" (270 mm)	6-1/8" (155 mm)	5-3/4" (146 mm)	B-PT Stream Regulator	—	Lever	N	2" extended shanks

VR Vandal-resistant

B-1142 Workboard Faucet, 8" Centers

- 8" (203 mm) deck-mount workboard faucet
- Removable seats
- 5-11/16" swivel gooseneck (133X)
- B-PT stream regulator (Series 1)
- Lever handles with color coded indexes
- Chrome plated escutcheon, 10-1/2" (267 mm) long x 2" (51 mm) wide
- 1/2" (25 mm) long shanks with 1/2" NPT male threads
- Includes (150A) tailpieces and nuts for 1/4" NPT connections



- B-1142-04** Same as B-1142 except with 4" wrist action handles
- B-1142-04A-QT** Same as B-1142-04 except with 133X-AER swivel gooseneck with B-0199-01 (2.2 GPM) aerator and quarter-turn spindle assemblies
- B-1142-XS** Same as B-1142 except with 2" (51 mm) shank

B-1148 Workboard Faucet

- 8" (203 mm) deck-mount workboard faucet
- Removable seats
- 10-1/2" (165 mm) long x 2" (51 mm) wide chrome plated escutcheon
- 1/2" (25 mm) long shanks with 1/2" NPT male threads
- B-2403 high rise swing nozzle with B-0199-01 (2.2 GPM) aerator
- Lever handles with color coded indexes
- Includes (150A) tailpieces and nuts for 1/4" NPT connections



- B-1149** Same as B-1148 except with 4" (102 mm) wrist-action handles (B-WH4)

Workboard Bar / Sink Faucets



B-1151 Workboard Faucet

- 4" (102 mm) deck-mount workboard faucet
- Removable seats
- 6-1/2" (165 mm) long x 2" (51 mm) wide chrome plated escutcheon
- 1" (25 mm) long shanks with 1/2" NPT male threads
- 8" (203 mm) swing nozzle (002878-40)
- Positive diverter valve assembly
- B-LT stream regulator (Series 2)
- Lever handles with color coded indexes
- Protective flange (B-KF) for sheet metal up to 1/8" (3 mm) thick
- Spray valve (002857-40) with 48" (1219 mm) flexible stainless steel hose (013E-48H)
- Includes (150A) tailpieces and nuts for 1/4" NPT connections



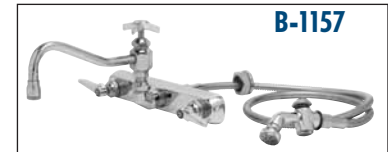
MODEL	CARTRIDGE	NOZZLE	HEIGHT	CLEARANCE	SPREAD	OUTLET	GPM	HANDLE	VR	NOTES
B-1151	B-1100 spindle	8" Swing nozzle (002878-40)	5-3/8" (137 mm)	2-1/4" (58 mm)	7-7/8" (200 mm)	B-LT Stream Regulator	—	Lever	N	4" centers; 6-1/2" long escutcheon
B-1152	B-1100 spindle	8" Swing nozzle (002878-40)	5-3/8" (137 mm)	2-1/4" (58 mm)	7-7/8" (200 mm)	B-LT Stream Regulator	—	Lever	N	8" centers; 10-1/2" long escutcheon
B-1152-092A	B-1100 spindle	8" Swing nozzle (002878-40)	5-3/8" (137 mm)	2-1/4" (58 mm)	7-7/8" (200 mm)	B-LT Stream Regulator	—	Lever	N	8" centers; (005963-40) angle spray valve with brush (BR10)
B-1152-092A-VB	B-1100 spindle	8" Swing nozzle (002878-40)	5-3/8" (137 mm)	2-1/4" (58 mm)	7-7/8" (200 mm)	B-LT Stream Regulator	—	Lever	N	8" centers; (005963-40) angle spray valve with brush (BR10); B-0970-FE vacuum breaker

VR Vandal-resistant

C
34

B-1156 Workboard Faucet

- 4" (102 mm) wall-mount workboard faucet
- Removable seats
- 6-1/2" (165 mm) long x 2" (51 mm) wide chrome plated escutcheon
- 1" (25 mm) long shanks with 1/2" NPT male threads
- 8" (203 mm) swing nozzle (002878-40)
- B-LT stream regulator (Series 2)
- Lever handles with color coded indexes
- Positive diverter valve assembly
- Protective flange (B-KF) for sheet metal up to 1/8" (3 mm) thick
- Spray valve (002857-40) with 48" (1219 mm) flexible stainless steel hose (013E-48)
- Includes (150A) tailpieces and nuts for 1/4" NPT connection



B-1157

MODEL	CARTRIDGE	NOZZLE	HEIGHT	CLEARANCE	SPREAD	OUTLET	GPM	HANDLE	VR	NOTES
B-1156	B-1100 spindle	8" Swing nozzle (002878-40)	5-3/8" (136 mm)	1-3/8" (35 mm)	8" (203 mm)	B-LT Stream Regulator	—	Lever	N	4" centers; 6-1/2" long escutcheon
B-1157	B-1100 spindle	8" Swing nozzle (002878-40)	5-3/8" (136 mm)	1-3/8" (35 mm)	8" (203 mm)	B-LT Stream Regulator	—	Lever	N	8" centers; 10-1/2" long escutcheon
B-1157-12	B-1100 spindle	12" Swing nozzle	6" (152 mm)	2-3/4" (70 mm)	12" (305 mm)	B-LT Stream Regulator	—	Lever	N	8" centers; 10-1/2" long escutcheon

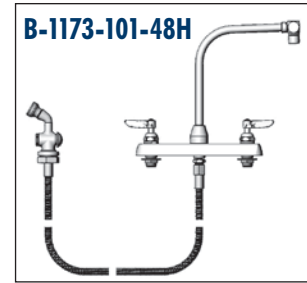
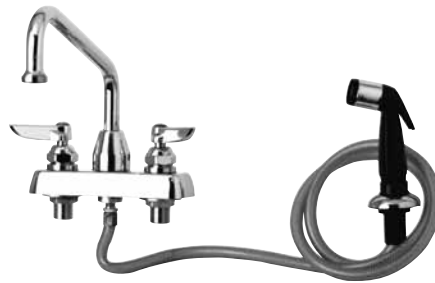
VR Vandal-resistant

Workboard Bar / Sink Faucets



B-1171
Workboard Faucet

- 4" (102 mm) deck-mount workboard faucet
- Removable seats
- 6-1/2" (165 mm) long x 2" (51 mm) wide chrome plated escutcheon
- 1" (25 mm) long shanks with 1/2" NPT male threads
- 8" (203 mm) swing nozzle has 360° swivel piece
- Built-in diverter valve assembly
- B-PT stream regulator (Series 1)
- Lever handles with color coded indexes
- Sidespray with 4 ft. (1.2 m) reinforced vinyl hose and hose guide
- Includes (150A) tailpieces and nuts for 1/4" NPT connections



MODEL	CARTRIDGE	NOZZLE	HEIGHT	CLEARANCE	SPREAD	OUTLET	GPM	HANDLE	VR	NOTES
B-1171	B-1100 spindles	8" Swing nozzle	7-1/4" (184 mm)	4-1/2" (114 mm)	8" (203 mm)	B-PT Stream Regulator	—	Lever	N	4" centers; 6-1/2" long escutcheon; 4 ft. vinyl hose
B-1171-01	B-1100 spindles	16" Swing nozzle	10" (254 mm)	7-3/16" (183 mm)	16" (406 mm)	B-PT Stream Regulator	—	Lever	N	4" centers; Spray valve with rosespray outlet (002857-40) w/48" S/S hose (013E-48H)
B-1171-07	B-1100 spindles	8" Swing nozzle	7-3/8" (187 mm)	4-5/8" (117 mm)	8" (203 mm)	B-PT Stream Regulator	—	Lever	N	4" centers; 6-1/2" long escutcheon; 7 ft. vinyl hose
B-1172	B-1100 spindles	8" Swing nozzle	7-1/4" (184 mm)	4-1/2" (114 mm)	8" (203 mm)	B-PT Stream Regulator	—	Lever	N	8" centers; 10-1/2" long escutcheon; 4 ft. vinyl hose
B-1172-07	B-1100 spindles	8" Swing nozzle	7-1/4" (184 mm)	4-1/2" (114 mm)	8" (203 mm)		—	Lever	N	8" centers; 10-1/2" long escutcheon; 7 ft. vinyl hose
B-1172-07-133X	B-1100 spindles	5-11/16" Swivel gooseneck	11-7/8" (302 mm)	7-13/16" (199 mm)	5-11/16" (145 mm)	B-PT Stream Regulator	—	Lever	N	8" centers; 10-1/2" long escutcheon; 7 ft. vinyl hose
B-1172-07-WH4	B-1100 spindles w/ Teflon washers	5-11/16" Swivel gooseneck	11-7/8" (302 mm)	7-13/16" (199 mm)	5-11/16" (145 mm)	B-PT Stream Regulator	—	4" Wrist-action	N	8" centers; Sidespray with 7 ft. vinyl hose (013675-45)
B-1172-96-135X	B-1100 spindles	8-3/4" Swivel gooseneck	13-3/4" (349 mm)	6-3/4" (171 mm)	8-13/16" (224 mm)	B-0199-02 aerator	2.2 GPM	Lever	N	8" centers; EB-0107 spray valve on EB-0096-H 96" hose; EPAAct 2005 non-compliant
B-1172-TS	B-1100 spindles	8-3/4" Swivel gooseneck	13-3/4" (349 mm)	6-3/4" (171 mm)	8-13/16" (224 mm)	B-0199-02 aerator	2.2 GPM	Lever	N	8" centers; sidespray with 4 ft. vinyl hose
B-1173	B-1100 spindles	High-rise swing nozzle assembly	11-3/16" (284 mm)	9-5/16" (237 mm)	7-7/8" (200 mm)	B-0199-01 aerator	2.2 GPM	Lever	N	8" centers; sidespray with 4 ft. vinyl hose
B-1173-101-48H (see illus.above)	B-1100	High-rise swing nozzle assembly	11-3/16" (284 mm)	9-5/16" (237 mm)	7-7/8" (200 mm)	B-0199-01 aerator	2.2 GPM	Lever	N	8" centers; spray valve with rosespray outlet (002857-40) w/48" S/S hose (013E-48H)

C 35

B-1177
Workboard Faucet

- 4" (102 mm) deck-mount workboard faucet
- Removable seats
- 6-1/2" (165 mm) long x 2" (51 mm) wide chrome plated escutcheon
- 1" (25 mm) long shanks with 1/2" NPT male threads
- B-0405-03 rigid vacuum breaker nozzle
- B-LT stream regulator (Series 2)
- Built-in diverter valve assembly
- Lever handles with color coded indexes
- Sidespray with 4 ft. (1.2 m) reinforced vinyl hose and hose guide
- Includes (150A) tailpieces and nuts for 1/4" NPT connections



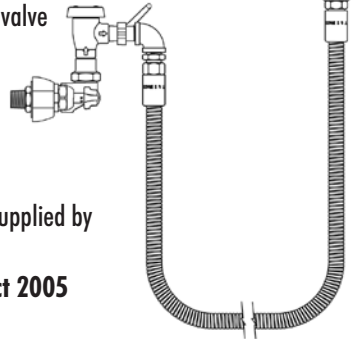
VR Vandal-resistant

Workboard Bar / Sink Faucets

B-1193 Workboard Faucet

EPAct 2005 Non-Compliant

- 4" wall-mounted workboard faucet
- Removable seats
- B-0413 swivel to rigid adapter
- 6-1/2" (165 mm) long x 2" (51 mm) wide chrome plated escutcheon
- 1" (25 mm) long shanks with 1/2" NPT male threads
- EB-0107 High-flow spray valve
- EB-0072-H 72" flexible stainless steel hose
- B-0968 vacuum breaker
- Lever handles with color coded indexes



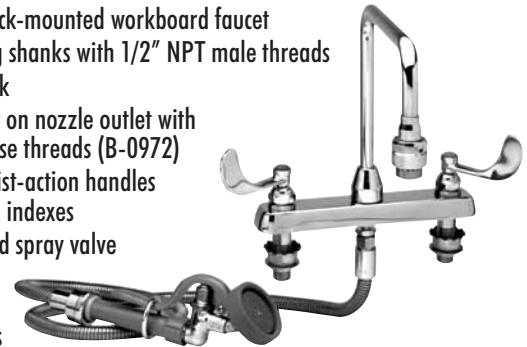
Note: Crossflow protection supplied by others

Note: The B-1193 is EPAct 2005 Non-Compliant

B-2346 Workboard Faucet

EPAct 2005 Non-Compliant

- 8" (203 mm) deck-mounted workboard faucet
- 1" (25 mm) long shanks with 1/2" NPT male threads
- Swivel gooseneck
- Vacuum breaker on nozzle outlet with male garden hose threads (B-0972)
- 4" (102 mm) wrist-action handles with color coded indexes
- High-flow angled spray valve (EB-0107-035)
- 5 ft. (1.5 m) flexible stainless steel hose (EB-0060-H)
- Protective flange (B-KF) for sheet metal up to 1/8" (3 mm) thick
- Includes (150A) tailpieces and nuts for 1/4" NPT connection



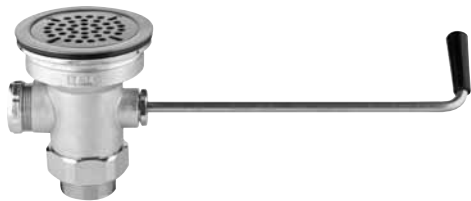
Note: The B-2346 is EPAct 2005 Non-Compliant

Waste Valves with Twist Handle or Lever Handle

- All models are equipped with an overflow outlet and cap
- "-01" models come furnished with a complete overflow assembly (B-3999-OF)
- Models available with a conversion adapter that reduces a 2" drain outlet to a 1 1/2" outlet
- Master Packs available

C
36

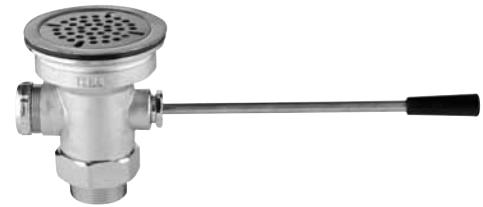
B-3940 Waste Valve with Twist Handle



Waste Valve with Twist and Lever Handles:

- Valve bodies come standard with a 2" NPT male/1-1/2" NPT female outlet
- Also available with adapter that allows for either a 1-1/2" NPT male or 2" NPT male outlet (B-3945)
- 3" (76 mm) or 3-1/2" (89 mm) sink opening applications

B-3960 Waste Valve with Lever Handle



Twist Models

Model	Sink Opening	Drain Outlet (NPT)	Overflow Assembly
B-3940	3"	1 1/2" or 2" male	Optional
B-3940-01*	3"	1 1/2" or 2" male	Included
B-3942	3"	2" male/ 1 1/2" female	Optional
B-3942-01*	3"	2" male/ 1 1/2" female	Included
B-3950	3 1/2"	1 1/2" or 2" male	Optional
B-3950-01*	3 1/2"	1 1/2" or 2" male	Included
B-3952	3 1/2"	2" male/ 1 1/2" female	Optional
B-3952-01*	3 1/2"	2" male/ 1 1/2" female	Included

* "-01" models include an overflow assembly

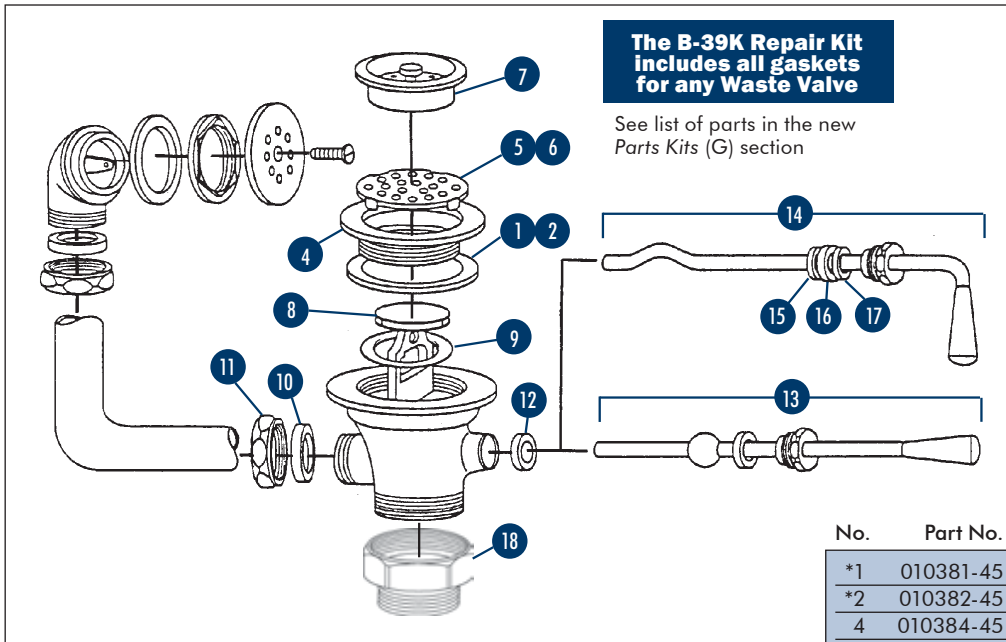
Lever Models

Model	Sink Opening	Drain Outlet (NPT)	Overflow Assembly
B-3960	3"	1 1/2" or 2" male	Optional
B-3960-01*	3"	1 1/2" or 2" male	Included
B-3962	3"	2" male/ 1 1/2" female	Optional
B-3962-01*	3"	2" male/ 1 1/2" female	Included
B-3970	3 1/2"	1 1/2" or 2" male	Optional
B-3970-01*	3 1/2"	1 1/2" or 2" male	Included
B-3972	3 1/2"	2" male/ 1 1/2" female	Optional
B-3972-01*	3 1/2"	2" male/ 1 1/2" female	Included

* "-01" models include an overflow assembly

Waste Valves with Twist Handle or Lever Handle

- All models are equipped with an overflow outlet and cap
- “-01” models come furnished with a complete overflow assembly (B-3999-OF)
- Models available with a conversion adapter that reduces a 2” NPT male drain outlet to a 1½” NPT male outlet (B-3945)
- Master Packs available



No.	Part No.	Description
*1	010381-45	3" Head Gasket
*2	010382-45	3½" Head Gasket
4	010384-45	3½" Head Flange
5	010385-45	3" Strainer, Flat
6	010386-45	3½" Strainer, Flat
7	010387-45	3½" Crumb Cup Strainer
8	010388-45	Plunger
*9	010389-45	'O'-Ring
*10	010390-45	Coupling Washer
11	010391-45	Coupling Nut
*12	010392-45	Drain Rod Bushing
13	010394-45	Lever Handle Assembly
14	010393-45	Twist Handle Assembly
*15		Twist Handle C-Ring
*16		Twist Handle Washer
*17		Twist Handle 'O'-Ring
18	B-3945	Adapter (converts 2" NPT male to 1½" NPT male)

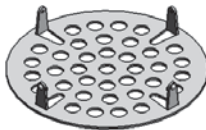
* These parts are included in the B-39K Repair Kit; see the new Parts Kits (G) section

Waste Valve Accessories

Flat Strainer

- Flat Strainers with four (4) mounting lugs:

3" (76 mm)	010385-45
3-1/2" (89 mm)	010386-45
3-1/2" (89 mm), Vandal-resistant	010386-45VR



Twist Handle Assemblies

- Twist waste valve handle assembly in three lengths:

9" (229 mm)	010393-45XS
13-1/2" (343 mm)	010393-45
17-1/2" (445 mm)	010393-45XL



Lever Handle Assemblies

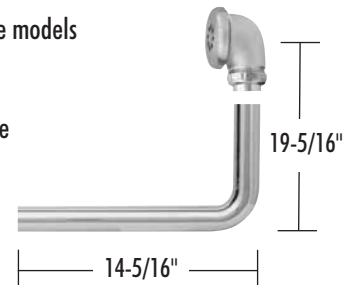
- Lever waste valve handle assembly in two lengths:

8" (203 mm)	010394-45XS
12-1/2" (318 mm)	010394-45



B-3999-OF Overflow Assembly

- Available for all waste valve models
- 1-1/4" dia. tube
- 14-5/16" x 18" elbow
- All “-01” models include the overflow assembly
For ex.: **B-3940-01**
- Tube only: (011355-45)
- Head only: (011356-45)

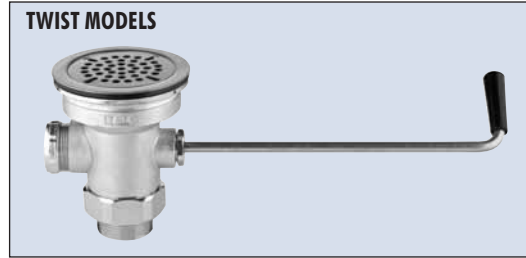


B-3999-05XL Same as B-3999-OF except with extra long 24" x 24" elbow tube (011355-45XL)

Waste Valves with Twist Handle

- All twist and lever models are equipped with an overflow outlet and cap
- “-01” models come furnished with a complete overflow assembly (B-3999-OF)
- Models available with a conversion adapter that reduces a 2” NPT male drain outlet to a 1½” NPT male outlet (B-3945)
- Master Packs available

- Twist handle with heat-resistant plastic grip
- Other handle lengths available (see page C37)

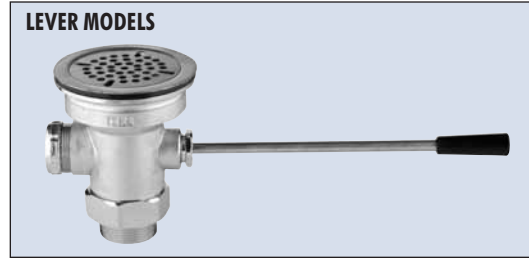


TWIST MODELS	SINK OPENING	DRAIN OUTLET (NPT)	OVERFLOW ASSEMBLY	HANDLE	NOTES
B-3940	3"	1-1/2" male or 2" male	Optional	Standard twist, 12-1/4" (311 mm)	
B-3940-M	3"	1-1/2" male or 2" male	Optional	Standard twist, 12-1/4" (311 mm)	B-3940 Master carton of 6
B-3940-XL	3"	1-1/2" male or 2" male	Optional	Long twist, 16-1/4" (413 mm)	
B-3940-XS	3"	1-1/2" male or 2" male	Optional	Short twist, 7-13/16" (198 mm)	
B-3940-01	3"	1-1/2" male or 2" male	Included	Standard twist, 12-1/4" (311 mm)	
B-3940-01-XS	3"	1-1/2" male or 2" male	Included	Short twist, 7-13/16" (198 mm)	
B-3940-01M	3"	1-1/2" male or 2" male	Included	Standard twist, 12-1/4" (311 mm)	B-3940-01 Master carton of 6
B-3942	3"	2" male/1-1/2" female	Optional	Standard twist, 12-1/4" (311 mm)	
B-3942-XL	3"	2" male/1-1/2" female	Optional	Long twist, 16-1/4" (413 mm)	
B-3942-XS	3"	2" male/1-1/2" female	Optional	Short twist, 7-13/16" (198 mm)	
B-3942-01	3"	2" male/1-1/2" female	Included	Standard twist, 12-1/4" (311 mm)	
B-3942-01-XS	3"	2" male/1-1/2" female	Included	Short twist, 7-13/16" (198 mm)	
B-3950	3-1/2"	1-1/2" male or 2" male	Optional	Standard twist, 12-1/4" (311 mm)	
B-3950-M	3-1/2"	1-1/2" male or 2" male	Optional	Standard twist, 12-1/4" (311 mm)	B-3950 Master carton of 6
B-3950-SB	3-1/2"	1-1/2" male or 2" male	Optional	Standard twist, 12-1/4" (311 mm)	Includes removable strainer basket
B-3950-VR	3-1/2"	1-1/2" male or 2" male	Optional	Standard twist, 12-1/4" (311 mm)	Includes vandal-resistant flat strainer
B-3950-XL	3-1/2"	1-1/2" male or 2" male	Optional	Long twist, 16-1/4" (413 mm)	
B-3950-XS	3-1/2"	1-1/2" male or 2" male	Optional	Short twist, 7-13/16" (198 mm)	
B-3950-01	3-1/2"	1-1/2" male or 2" male	Included	Standard twist, 12-1/4" (311 mm)	
B-3950-01-M	3-1/2"	1-1/2" male or 2" male	Included	Standard twist, 12-1/4" (311 mm)	B-3950 Master carton of 6
B-3950-01-M12	3-1/2"	1-1/2" male or 2" male	Included	Standard twist, 12-1/4" (311 mm)	B-3950 Master carton of 12
B-3950-01-SB	3-1/2"	2" male/1-1/2" female	Included	Standard twist, 12-1/4" (311 mm)	Includes removable strainer basket
B-3952	3-1/2"	2" male/1-1/2" female	Optional	Standard twist, 12-1/4" (311 mm)	
B-3952-VR	3-1/2"	2" male/1-1/2" female	Optional	Standard twist, 12-1/4" (311 mm)	Includes vandal-resistant flat strainer
B-3952-XL	3-1/2"	2" male/1-1/2" female	Optional	Long twist, 16-1/4" (413 mm)	
B-3952-XS	3-1/2"	2" male/1-1/2" female	Optional	Short twist, 7-13/16" (198 mm)	
B-3952-01	3-1/2"	2" male/1-1/2" female	Included	Standard twist, 12-1/4" (311 mm)	

Waste Valves with Lever Handle

- All twist and lever models are equipped with an overflow outlet and cap
- “-01” models come furnished with a complete overflow assembly (B-3999-OF)
- Models available with a conversion adapter that reduces a 2” NPT male drain outlet to a 1½” NPT male outlet (B-3945)
- Master Packs available

- Lever handle with heat-resistant plastic grip
- Other handle lengths available (see page C37)



LEVER MODELS	SINK OPENING	DRAIN OUTLET (NPT)	OVERFLOW ASSEMBLY	HANDLE	NOTES
B-3960	3"	1-1/2" male or 2" male	Optional	Standard lever, 12-1/8" (308 mm)	
B-3960-XS	3"	1-1/2" male or 2" male	Optional	Short lever, 7-5/8" (194 mm)	
B-3960-01	3"	1-1/2" male or 2" male	Included	Standard lever, 12-1/8" (308 mm)	
B-3960-01-XS	3"	1-1/2" male or 2" male	Included	Short lever, 7-5/8" (194 mm)	
B-3962	3"	2" male/1-1/2" female	Optional	Standard lever, 12-1/8" (308 mm)	
B-3962-01	3"	2" male/1-1/2" female	Included	Standard lever, 12-1/8" (308 mm)	
B-3962-01-XS	3"	2" male/1-1/2" female	Included	Short lever, 7-5/8" (194 mm)	
B-3970	3-1/2"	1-1/2" male or 2" male	Optional	Standard lever, 12-1/8" (308 mm)	
B-3970-VR	3-1/2"	1-1/2" male or 2" male	Optional	Standard lever, 12-1/8" (308 mm)	Includes vandal-resistant flat strainer
B-3970-XS	3-1/2"	1-1/2" male or 2" male	Optional	Short lever, 7-5/8" (194 mm)	
B-3970-01	3-1/2"	1-1/2" male or 2" male	Included	Standard lever, 12-1/8" (308 mm)	
B-3970-01-XS	3-1/2"	1-1/2" male or 2" male	Included	Short lever, 7-5/8" (194 mm)	
B-3972	3-1/2"	2" male/1-1/2" female	Optional	Standard lever, 12-1/8" (308 mm)	
B-3972-VR	3-1/2"	2" male/1-1/2" female	Optional	Standard lever, 12-1/8" (308 mm)	Includes vandal-resistant flat strainer
B-3972-XS	3-1/2"	2" male/1-1/2" female	Optional	Short lever, 7-5/8" (194 mm)	
B-3972-01	3-1/2"	2" male/1-1/2" female	Included	Standard lever, 12-1/8" (308 mm)	
B-3972-01-XS	3-1/2"	2" male/1-1/2" female	Included	Short lever, 7-5/8" (194 mm)	

Modular Waste Valves

NEW! Premium Modular Waste Valves have been designed to exceed in the most demanding applications and maintain the quality and reliability you have come to expect from T&S.

Features include:



- Modular design for easy installation and maintenance
- Large drain opening to accommodate high-volume applications
- Push-pull valve activation with rugged handle to endure extreme abuse
- Unique installation tool included to make installation easy
- Handle extension kits available
- Removable snap-in strainer
- Lifetime warranty
- "-01" models include an overflow assembly

MODULAR WASTE VALVE MODELS	SINK OPENING	DRAIN OUTLET	OVERFLOW TUBE / HEAD ASSEMBLY	MODEL HANDLE LENGTH (From Drain Center Line)	RECOMMENDED SINK LENGTH (Front to back)
B-3990	3-1/2"	1-1/2" NPT male or 2" NPT male	Optional	Standard 5-3/4" closed; 8-5/8" open	18" to 20"
B-3990-3X	3-1/2"	1-1/2" NPT male or 2" NPT male	Optional	3" extension kit 8-3/4" closed; 11-5/8" open	20" to 24"
B-3990-5X	3-1/2"	1-1/2" NPT male or 2" NPT male	Optional	5" extension kit 10-3/4" closed; 13-5/8" open	28"
B-3990-BSP	3-1/2"	1-1/2" BSP male or 2" NPT male	Optional	Standard 5-3/4" closed; 8-5/8" open	18" to 20"
B-3990-BSP-3X	3-1/2"	1-1/2" BSP male or 2" NPT male	Optional	3" extension kit 8-3/4" closed; 11-5/8" open	20" to 24"
B-3990-BSP-5X	3-1/2"	1-1/2" BSP male or 2" NPT male	Optional	5" extension kit 10-3/4" closed; 13-5/8" open	28"
B-3992	3-1/2"	2" NPT male / 1-1/2" NPT female	Optional	Standard 5-3/4" closed; 8-5/8" open	18" to 20"
B-3992-3X	3-1/2"	2" NPT male / 1-1/2" NPT female	Optional	3" extension kit 8-3/4" closed; 11-5/8" open	20" to 24"
B-3992-5X	3-1/2"	2" NPT male / 1-1/2" NPT female	Optional	5" extension kit 10-3/4" closed; 13-5/8" open	28"
B-3990-01	3-1/2"	1-1/2" NPT male or 2" NPT male	Included	Standard 5-3/4" closed; 8-5/8" open	18" to 20"
B-3990-01-3X	3-1/2"	1-1/2" NPT male or 2" NPT male	Included	3" extension kit 8-3/4" closed; 11-5/8" open	20" to 24"
B-3990-01-5X	3-1/2"	1-1/2" NPT male or 2" NPT male	Included	5" extension kit 10-3/4" closed; 13-5/8" open	28"
B-3992-01	3-1/2"	2" NPT male / 1-1/2" NPT female	Included	Standard 5-3/4" closed; 8-5/8" open	18" to 20"
B-3992-01-3X	3-1/2"	2" NPT male / 1-1/2" NPT female	Included	3" extension kit 8-3/4" closed; 11-5/8" open	20" to 24"
B-3992-01-5X	3-1/2"	2" NPT male / 1-1/2" NPT female	Included	5" extension kit 10-3/4" closed; 13-5/8" open	28"



Modular Waste Valves

All our Modular Waste Valves can be modified with 3" or 5" handle extensions to accommodate your sink measurements and preferences.

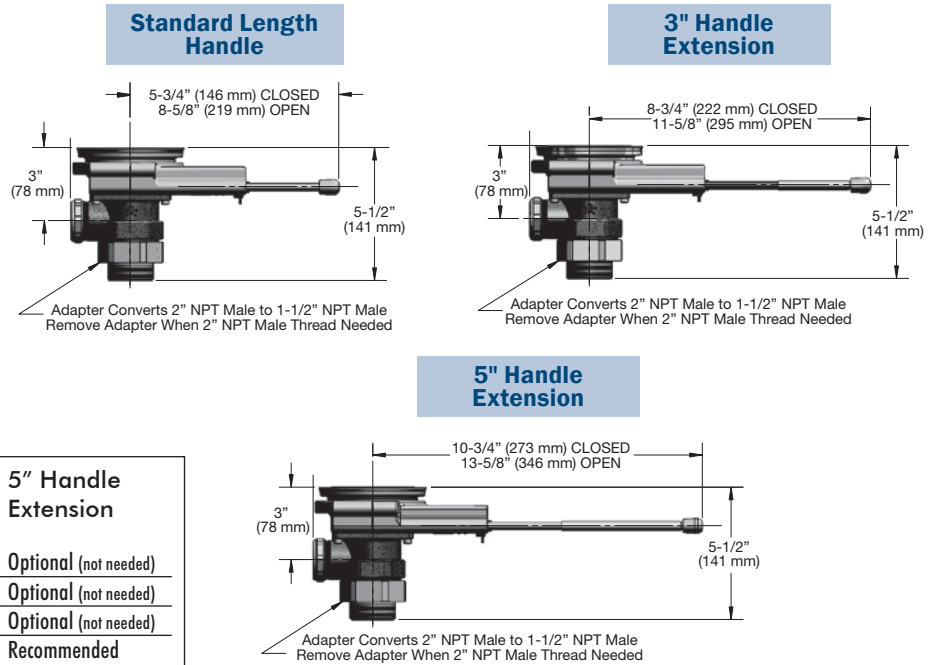
- Refer to the chart below for *optional* or *recommended* use of handle extensions
- Refer to the illustrations below for specific measurements related to sink length and recommended handle extensions

B-3990-3KIT 3" Handle Extension Kit

- Includes three (3) 3" extension rods and a capsule of Loctite 222
- Extends Modular Waste Valve handles by 3"

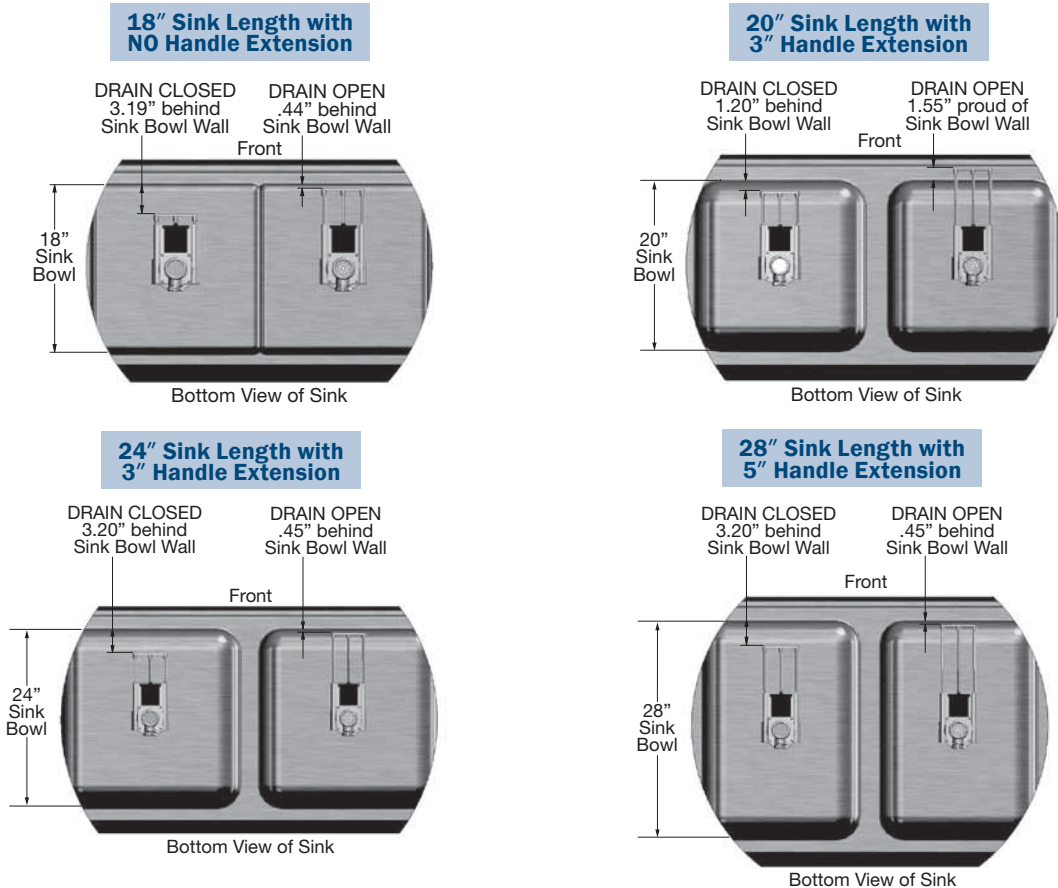
B-3990-5KIT 5" Handle Extension Kit

- Includes three (3) 5" extension rods and a capsule of Loctite 222
- Extends Modular Waste Valve handles by 5"



Sink Bowl Length (Front to back measurement of Sink Bottom)	3" Handle Extension	5" Handle Extension
18"	Optional (not needed)	Optional (not needed)
20"	Recommended	Optional (not needed)
24"	Recommended	Optional (not needed)
28"	Not recommended	Recommended

Recommended Extension Kits for the Modular Waste Valves Based On Popular Sink Bowl Length



Modular Waste Valves

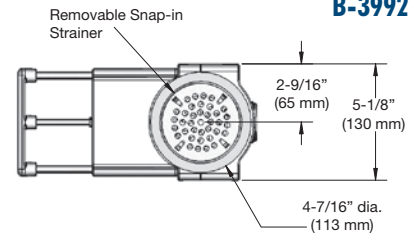
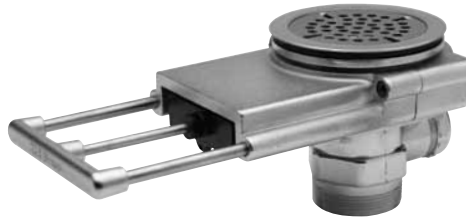
B-3990 Modular Waste Valve

- Modular design for easy installation and maintenance
- For 3-1/2" sink opening
- 2" NPT female x 1-1/2" NPT male adapter

B-3990-BSP Same as B-3990 except with 1-1/2" BSP male adapter
B-3990-3X Same as B-3990 except includes 3" handle extension kit
B-3990-5X Same as B-3990 except includes 5" handle extension kit
B-3990-BSP-3X Same as B-3990-BSP except includes 3" handle extension kit
B-3990-BSP-5X Same as B-3990-BSP except includes 5" handle extension kit



B-3992 shown closed (above) and open (below)

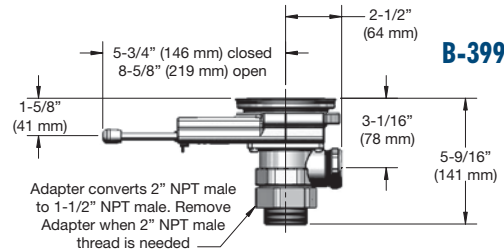


B-3990 and B-3992

B-3992 Modular Waste Valve

- Modular design for easy installation and maintenance
- For 3-1/2" sink opening
- 2" NPT male / 1-1/2" NPT female drain outlet

B-3992-3X Same as B-3992 except includes 3" handle extension kit
B-3992-5X Same as B-3992 except includes 5" handle extension kit

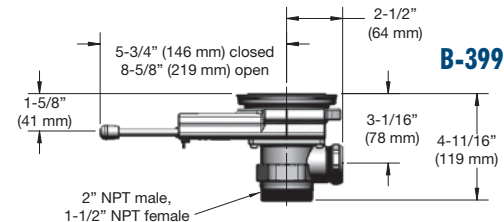


B-3990

B-3990-01 Modular Waste Valve with Overflow Tube with Head Assembly

- Modular design for easy installation and maintenance
- For 3-1/2" sink opening
- 2" NPT female x 1-1/2" NPT male adapter

B-3990-01-3X Same as B-3990-01 except includes 3" handle extension kit
B-3990-01-5X Same as B-3990-01 except includes 5" handle extension kit



B-3992

C
42

B-3992-01 Modular Waste Valve with Overflow Tube with Head Assembly

- Modular design for easy installation and maintenance
- For 3-1/2" sink opening
- 2" NPT male / 1-1/2" NPT female drain outlet

B-3992-01-3X Same as B-3992-01 except includes 3" handle extension kit
B-3992-01-5X Same as B-3992-01 except includes 5" handle extension kit



NEW! Waste Valve Installation Tool:

- Part # 017670-45**
- Modular Waste Valve Installation Tool
 - Included with all Modular Waste Valves
 - Helps installation of both 3" and 3-1/2" drains
 - Can order this part separately

CP

ChekPoint™ Electronic Faucets



RELIABILITY BUILT IN™



ChekPoint™ Electronic Faucets – CP

INTRODUCTORY PAGES
NEW FEATURED T&S PRODUCTS

- ChekPoint Faucets with Above Deck Electronics (ADE) (pages CP3, 5)
- ECR-0810-107 ChekPoint Ware-Washing Rinse Faucet (pages CP21-22)

ChekPoint Above Deck Electronic (ADE) Sensor Faucets..... **CP3, 5, 14-20**

- NEW!** EC-3130 and EC-3132 Models and the EC-3122
- ADE Features/Options CP3,5
 - All Models/Specs CP16-18

ChekPoint Standard Electronic Sensor Faucets **CP4, 6-13, 21-22**

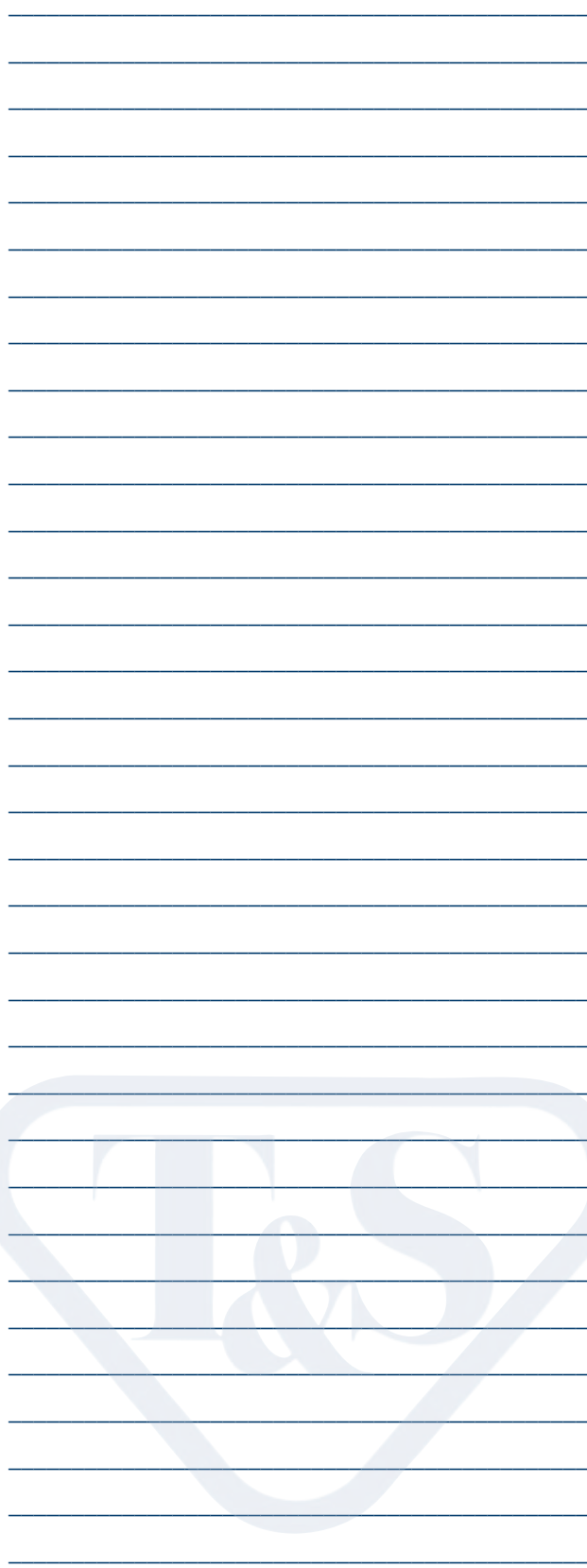
- Models, Features and Options CP4, 6
- Thermostatic Mixing Valves CP7
- Ganging Installation Options CP7
- Gooseneck Options CP8
- ChekPoint Below Deck Components CP8
- Deckplate Options CP8
- Below Deck Installation, Packaging CP9
- Other Data, Parts and Warranty CP9
- Standard Deck- and Wall-Mount Sensor Faucet Models/Specs CP10-13
- Manual Override Sensor Faucets CP13

ChekPoint Electronic Sensor Faucets – with Above Deck Electronics **CP14-20**

- Models, Features and Options CP14-16, 18
- Hydrogenerator (-HG), Side-Mount Thermostatic Mixing Valve (-SMT), and Thermostatic Mixing Valve (-TMV) CP17
- EC-HYDROGEN – models, retrofit CP17
- Ganging Installation Options C19
- EASYWIRE, HARDWIRE and ADEWIRE C19
- Deckplate Options C19
- Gooseneck Options C20

NEW! ECR-D0810-107 Electronic Ware-Washing Rinse Faucet CP21-22

NOTE:
 A comprehensive *Index By Model or Part Number and Page* can be found in the **G-11 General Product Catalog Master Index** section (IN).



? Can't find the T&S product you're looking for?
 Please visit www.tsbrass.com for a complete product listing.



Above Deck *Electronic Faucets*

NEW MODELS in T&S's ChekPoint™ Above Deck Electronic Faucets

The EC-3130 and EC-3132 are the newest additions to the T&S ChekPoint Above Deck Electronic faucet line, joining the EC-3122. Above Deck Electronics (ADE) allow for easy control, installation and maintenance.

Like all our ChekPoint faucets, these single hole above deck sensor faucets are designed to save water, money and energy with adjustable timed water flow and a choice of low flow vandal-resistant outlets.

T&S ADE sensor faucets are packed with features, including above deck temperature control with optional side control lever. All three base models are available with a factory installed hydrogenerator (-HG model) or retrofit (EC-HYDROGEN), and with 4" (-4DP) or 8" (-8DP) deckplates. Other options are available.



EC-3122



NEW!

EC-3130-4DP



EC-3130

**CP
3**



EC-3132

EC-3132-4DP

NEW!

EC-3132-8DP



EC-3130-8DP

Now, you have many more options to choose from with our water-saving T&S ChekPoint™ Electronic Sensor Faucets! Along with ease of installation and convenient AC/DC power options, these other options are available to customize ChekPoint faucets:

Electronic Sensor Faucet OPTIONS		
Suffix/Option	Description	Applicable Models
-HG	Hydrogenerator	All models
-LF22	2.2 GPM Vandal-Resistant Laminar Flow	All models
-LN	Less nozzle; specify any T&S rigid gooseneck model	EC-3100, EC-3101
-SB	Surgical Bend Gooseneck	EC-3100, EC-3101
-SM	Side-Mount Mechanical Mixing Valve	EC-3100, EC-3102
-SMT	Side-Mount Thermostatic Mixing Valve	EC-3100, EC-3102
-TMV	Below Deck Thermostatic Mixing Valve	All models
-VF05	0.5 GPM Vandal-Resistant Non-Aerated Outlet	All models
EC-HARDWIRE	Gang up to 8 faucets/ one power supply	All models
EC-EASYWIRE	Gang up to 8 faucets/ one power supply	All models
EC-HYDROGEN	To retrofit to an existing ChekPoint electronic faucet	All models



EC-3100
Deck-mounted gooseneck



EC-3100-LF22-SB
Deck-mounted surgical bend gooseneck



EC-3101
Back splash-mounted gooseneck



EC-3102
Deck-mounted cast spout



EC-3103
Deck-mounted cast spout



EC-3106
Deck-mounted spout with dual modes

All T&S ChekPoint Electronic Faucet models are listed in the two tables on pages CP5-6 with features and options available to customize each sensor faucet.

For any application you may have, T&S Electronic Faucets offer you an unparalleled ability to fulfill your specifications, and are backed by our solid reputation for both reliability and durability.

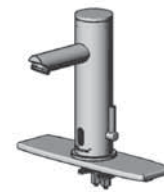


Above Deck *Electronic Faucets*



EC-3132-4DP

ABOVE DECK Electronic Faucets	EC-3122	EC-3130	EC-3132
Base Model FEATURES ✓			
Above Deck Electronics (ADE)	✓	✓	✓
AC/DC Power	✓	✓	✓
Adjustable Temperature Control Mixing Valve	✓	✓	✓
Check Valves	✓	✓	✓
Swivel Gooseneck		✓	
Spout	✓		✓
Transformer Plug-In with Split Tail Power Cable (12 ft.)	✓	✓	✓
2.2 GPM Aerator, Vandal-Resistant (B-0199-09)	✓	✓	✓
Base Model OPTIONS ★			
Forged Brass Deckplate, 4"	EC-3122-4DP	EC-3130-4DP	EC-3132-4DP
Forged Brass Deckplate, 8"	EC-3122-8DP	EC-3130-8DP	EC-3132-8DP
2.2 GPM Laminar Flow Outlet, Vandal-Resistant (-LF22)		EC-3130-LF22	EC-3132-LF22
0.5 GPM Non-Aerated Outlet, Vandal-Resistant (-VF05)	EC-3122-VF05	EC-3130-VF05	EC-3132-VF05
1.0 GPM Non-Aerated Outlet, Vandal-Resistant	★	★	★
EC-EASYWIRE (3 options; p. CP7)	★	★	★
Hydrogenerator model	EC-3122-HG	EC-3130-HG	EC-3132-HG
Hydrogenerator as retrofit (EC-HYDROGEN)	★	★	★
EC-ADEWIRE (33' cable for hardwire installation utilizing EC-HARDWIRE; see p. CP7)	★	★	★
EC-HARDWIRE (gang install up to eight ADE faucets; see p. CP7)	★	★	★
Optional side lever for adjustable temperature control		★	★



EC-3122-8DP



EC-3130-4DP



EC-3130-8DP



EC-3132-4DP



EC-3132-8DP

Electronic Sensor Faucets

- Hands-free washing greatly reduces risk of contamination
- Sensor-operated faucets conserve water and save energy
- Water-resistant circuit control module
- Each model comes with the convenience of electric plug-in (AC) and battery (DC) power options
- ADA-compliant
- Adjustable temperature control mixing valve
- Proven electronic technology
- Adjustable automatic time-out feature
- Adjustable water shut-off delay
- Chrome plated brass
- Troubleshooting LED indicator lights
- Scratch-resistant sensor lens
- Filtered solenoid valve with serviceable strainer filter
- Modular quick-release sensor connections (below deck models only)
- Low battery indicator light
- Pre-assembled with appropriate mounting hardware included
- Vandal-resistant outlets
- Check valves for cross-flow prevention in all models
- Requires no sealants for easy installation



EC-FAUCETS	EC-3100	EC-3101	EC-3102	EC-3103	EC-3106
Base Model FEATURES ✓					
AC/DC Power	✓	✓	✓	✓	✓
Adjustable Temperature Control Mixing Valve	✓	✓	✓	✓	✓
Check Valves	✓	✓	✓	✓	✓
Rigid Gooseneck	✓	✓			
Spout			✓	✓	✓
Dual Mode Electronic or Manual Operation					✓
2.2 GPM Aerator, Vandal-Resistant (B-0199-06)	✓	✓	✓	✓	✓
Transformer Plug-In with Split Tail Power Cable (12 ft.)	✓	✓	✓	✓	✓
Base Model OPTIONS ★					
Forged Brass Deckplate, 4"	★		EC-3102-4DP		★
Forged Brass Deckplate, 8"	★		EC-3102-8DP		★
2.2 GPM Laminar Flow Outlet, Vandal-Resistant (-LF22)	EC-3100-LF22	EC-3101-LF22	EC-3102-LF22	EC-3103-LF22	★
0.5 GPM Non-Aerated Outlet, Vandal-Resistant (-VF05)	EC-3100-VF05	EC-3101-VF05	EC-3102-VF05	EC-3103-VF05	EC-3106-VF05
1.0 GPM Non-Aerated Outlet, Vandal-Resistant	★	★	★	★	★
Rigid Gooseneck (up to 6")	★	★			
Surgical Bend Gooseneck (-SB)	★	★			
EC-HARDWIRE (see p. CP7)	★	★	★	★	★
EC-EASYWIRE (3 options; p. CP7)	★	★	★	★	★
Side-Mount Control Option (-SM)	EC-3100-SM		EC-3102-SM		
Hydrogenerator (-HG)	EC-3100-HG	EC-3101-HG	EC-3102-HG	EC-3103-HG	EC-3106-HG
Hydrogenerator for Retrofit (EC-HYDROGEN)	★	★	★	★	★
Side-Mount Above Deck Thermostatic Mixing Valve (-SMT; see p. CP7)	★		★		
Below Deck Thermostatic Mixing Valve (-TMV; see p. CP7)	EC-3100-TMV	EC-3101-TMV	EC-3102-TMV	EC-3103-TMV	★



EC-3100-LF22-SB

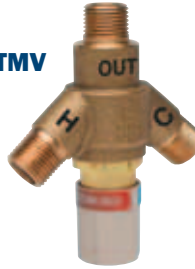
ChekPoint Thermostatic Mixing Valves

The **EC-SMT** and **EC-TMV** thermostatic mixing valve options allow you to add a thermostatic mixing valve in either an above deck or below deck installation.

Features and benefits for both include:

- Solid low-lead brass construction
- Integral check valves built into hot and cold inlets to prevent backflow and water contamination
- 1/2" NPSM male fittings – easy to connect supply lines
- Filter screens included – prevent particles from damaging faucet or solenoid valves
- Tamper resistant temperature limit stop concealed under knob prevents water from exceeding desired maximum temperature
- Compatible with all ChekPoint faucets and accessories, including hydrogenerator
- Fully complies with the following:
 - ASME A112.18.1 / CSA B125.1 ANSI/NSF 61-Section 9
 - California Health and Safety Code 116875 (AB1953-2006)
 - NSF/ANSI 372 – Low Lead Content (0.25% Max)
 - ASSE 1070

EC-TMV



EC-SMT



EC-TMV:

- Designed for below deck or concealed installations
- Locking knob with color coded index – simple to adjust to the desired temperature
- Can be added to any ChekPoint faucet by specifying with a -TMV suffix (i.e. EC-3100-TMV)

EC-SMT:

- Designed for above deck installations – easy access for user to adjust temperature
- Accommodates sink or countertop up to 1 3/16" thickness with holes from 1" to 1 1/2" – universal design for virtually any application
- Polished chrome-plated handle – easy to clean, matches finish of all the ChekPoint faucets
- Lever style – simple to rotate and operate
- Vandal-resistant handle screw – prevents vandals from accessing the temperature limit stop
- Easy to identify temperature markings
- Fully complies with ADA (ICC/ANSI A117.1)

ChekPoint Faucets Ganging Option

Gang-install up to eight faucets with one power supply

The **EC-HARDWIRE** and **EC-EASYWIRE** installation options allow you to gang-install multiple ChekPoint models (up to eight) using only one power supply.

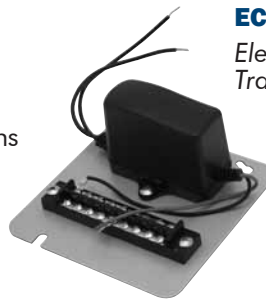
Options include:

- **EC-HARDWIRE** – 100-240 VAC Electronic AC transformer to hardwire up to eight (8) electronic ChekPoint faucets to a single power supply
- **EC-EASYWIRE** – 100-240 VAC Plug-in transformer allows up to eight (8) electronic ChekPoint faucets to be ganged to a single power jack on the ChekPoint sensor faucet control module (requires one **EC-EASYWIRE4CC** connector per faucet)
- **EC-EASYWIRE4CC** – 4' connector cables for EASYWIRE AC transformer connections in a daisy-chain circuit (one **EC-EASYWIRE4CC** needed for each additional faucet in chain)
- **EC-EASYWIRE5EXT** – 5' extension cables when additional cable length is needed for connections
- **EC-ADEWIRE** – 33' long cable used for **EC-HARDWIRE** for each Above Deck Electronic (ADE) faucet



EC-HARDWIRE

Electronic Transformer



EC-EASYWIRE

100-240 VAC Plug-In Transformer



EC-EASYWIRE4CC

4' Connector Cables for EasyWire AC transformer connections



EC-ADEWIRE

33' Cable for EC-HARDWIRE for each ADE faucet



ChekPoint Faucet Gooseneck Options

For EC-3100 and EC-3101 models:

- Choice of any T&S Rigid Gooseneck on EC-3100 and EC-3101 faucet body models (up to 6" spread)

Ex: Specify an EC-3100-LN with a 122X rigid gooseneck

Note: In order to stay within the full range of the sensor, gooseneck spreads are limited to 6" max.

ChekPoint Faucet Components

Included with all below deck models:

- 1 Vandal-Resistant Outlet Key**
- 2 Installation Tool – Tee Wrench** (EC-3100, EC-3102 and EC-3103 models only)
- 3 Faucet Body with Sensor Connection** (plugged into Control Module; EC-3100 faucet body shown)
- 4 Stainless Steel Braided Water Hose**
- 5 Hot and Cold Stainless Steel Braided Water Hoses with Standard Adjustable Mixing Valve**
- 6 Water Resistant Control Module** (with door open to show four AA batteries)
- 7 12' long Plug-in Wall Transformer with Split Tail Power Cable** (AC, standard)
- 8 Mechanical Mixing Valve** (except for -SM, -SMT and -TMV models)

Options for all models:

- 9 EC-HYDROGEN Hydrogenerator** (-HG option, or retrofit to existing ChekPoint by ordering EC-HYDROGEN)
- 10 Side-Mount Above Deck Thermostatic Mixing Valve** (-SMT option, or retrofit to existing ChekPoint by ordering EC-SMT)
- 11 Thermostatic Mixing Valve** (-TMV option, or retrofit to existing ChekPoint by ordering EC-TMV)



ChekPoint Deckplates

To add a deckplate to an existing ChekPoint Electronic Faucet, order with these part numbers for each EC- faucet.

EC-model	4" Deckplate	8" Deckplate
EC-3100	013433-40	013434-40
EC-3101	n/a	n/a
EC-3102	013433-40	013434-40
EC-3103	n/a	n/a
EC-3106	013433-40	013434-40
EC-3122	018282-40	018507-40
EC-3130	013433-40	013434-40
EC-3132	013433-40	013434-40

ChekPoint Electronic Faucets

Typical Below Deck Installation

Installation is simple with ChekPoint faucets:

- 1 Mount Faucet (Deck- or Wall-Mount)
- 2 Mount Controller to Wall Below Sink
- 3 Connect Supply Lines
- 4 Connect Sensor Cable from Faucet to Controller

Choose Your Power Options:

- 5 Mount and Attach EC-HYDROGEN Hydrogenerator (-HG Models Only)
- 6 Four 'AA' Batteries (D/C, Included)
- 7 Electric Plug-In Wall Transformer, 12' Split Tail (AC, Included)



Packaging For the ChekPoint Electronic Faucet

All components are clearly packaged for ease of assembly.



Other Technical Data

Consult the applicable T&S Brass "Installation and Maintenance Instructions for ChekPoint Faucets" booklet for a complete guide to installing and maintaining your faucet.

Replacement Parts

A full range of replacement and repair parts are available for ChekPoint faucets with a list in the applicable ChekPoint "Installation and Maintenance Instructions" booklet.

Limited Three Year Warranty

T&S warrants ChekPoint faucets to be free from defects in material and workmanship for a period of three (3) years from the date of purchase.



Chekpoint™ Electronic Sensor Faucets



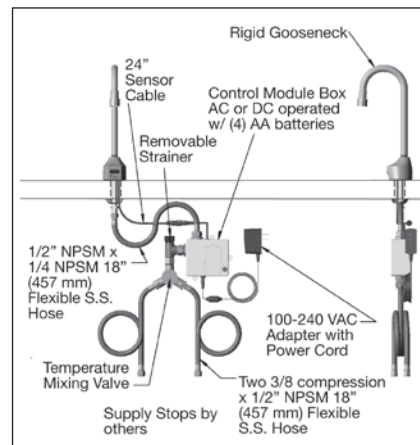
All models have: • Vandal-resistant aerator • AC/DC control module (electric plug-in and battery)

EC-3100 Electronic Faucet

- Chrome plated brass electronic faucet
- Deck-mounted rigid gooseneck
- B-0199-06 vandal-resistant aerator
- Height: 11" (279 mm)
- Spread: 4-1/8" (105 mm)
- Clearance: 7" (178 mm)
- (2) 18" (457 mm) long flexible supply hoses with 3/8" compression fittings
- Furnished with vandal-resistant key
- Other rigid goosenecks can be specified
- Includes 1/8" dia. anti-rotation pin
- Mechanical temperature mixing valve with integral check valves



EC-3100-LF22-SB



MODEL	GOOSENECK	HEIGHT	CLEARANCE	SPREAD	OUTLET	GPM	VR	NOTES
EC-3100	Rigid	11"	7"	4-1/8"	B-0199-06 VR aerator	2.2 GPM	Y	
EC-3100-120X	Rigid	12"	6-1/2"	5-1/2"	B-0199-06 VR aerator	2.2 GPM	Y	120X gooseneck
EC-3100-LF22	Rigid	11"	7"	4-1/8"	B-0199-21-VRF VR laminar flow device	2.2 GPM	Y	
EC-3100-HG	Rigid	11"	7"	4-1/8"	B-0199-06 VR aerator	2.2 GPM	Y	Includes EC-HYDROGEN hydrogenerator
EC-3100-LN	Rigid	2-1/4"	—	—	—	—	Y	Less nozzle/aerator
EC-3100-LF22-SB	Rigid	13"	7-5/8"	8-1/16"	B-0199-21-VRF VR laminar flow device	2.2 GPM	Y	Surgical bend gooseneck w/ VR laminar flow device; (see photo above)
EC-3100-SM	Rigid	11-5/16"	7-5/16"	4-1/8"	B-0199-06 VR aerator	2.2 GPM	Y	Side-mount mechanical mixer (B-2740); includes 10" wide deck plate
EC-3100-SM-4DP	Rigid	11-5/16"	7-5/16"	4-1/8"	B-0199-06 VR aerator	2.2 GPM	Y	Includes 6" wide deck plate
EC-3100-SMT4	Rigid	11-5/16"	7-5/16"	4-1/8"	B-0199-06 VR aerator	2.2 GPM	Y	Includes EC-SMT above deck side mount adj. thermostatic mixing valve; 6-1/2" wide deck plate
EC-3100-SMT4V05	Rigid	11-5/16"	7-5/16"	4-1/8"	B-0199-06-N05 VR non-aerated spray device	0.5 GPM	Y	Includes EC-SMT above deck side mount adj. thermostatic mixing valve; 6-1/2" wide deck plate
EC-3100-SMT8	Rigid	11-5/16"	7-5/16"	4-1/8"	B-0199-06 VR aerator	2.2 GPM	Y	Includes EC-SMT above deck side mount adj. thermostatic mixing valve; 10" wide deck plate
EC-3100-SMT8V05	Rigid	11-5/16"	7-5/16"	4-1/8"	B-0199-06-N05 VR non-aerated spray device	0.5 GPM	Y	Includes EC-SMT above deck side mount adj. thermostatic mixing valve; 10" wide deck plate
EC-3100-TMV	Rigid	11"	7-5/16"	4-1/8"	B-0199-06 VR aerator	2.2 GPM	Y	Includes EC-TMV ASSE 1070 thermostatic temp. mixing valve with integral check valves
EC-3100-TMV4V05	Rigid	11-5/16"	7-5/8"	4-1/8"	B-0199-06-N05 VR non-aerated spray device	0.5 GPM	Y	Includes EC-TMV ASSE 1070 thermostatic temp. mixing valve with integral check valves; 6" wide deck plate
EC-3100-TMVHGF10	Rigid	11"	7-5/16"	4-1/8"	B-0199-06-F10 VR aerator	1.0 GPM	Y	Includes EC-HYDROGEN hydrogenerator power supply and EC-TMV ASSE 1070 thermostatic temp. mixing valve with integral check valves
EC-3100-VF05	Rigid	11"	7-5/16"	4-1/8"	B-0199-06-N05 VR non-aerated spray device	0.5 GPM	Y	
EC-3100-VF5-TMV	Rigid	11"	7-5/16"	4-1/8"	B-0199-06-N05 VR non-aerated spray device	0.5 GPM	Y	Includes EC-TMV ASSE 1070 thermostatic temp. mixing valve with integral check valves
EC-3100-XP-LF10	Rigid (120XP)	11-1/4"	5-1/2"	5-1/2"	Plain end	1.0 GPM	N	Includes 1.0 GPM flow control check valve

VR Vandal-resistant



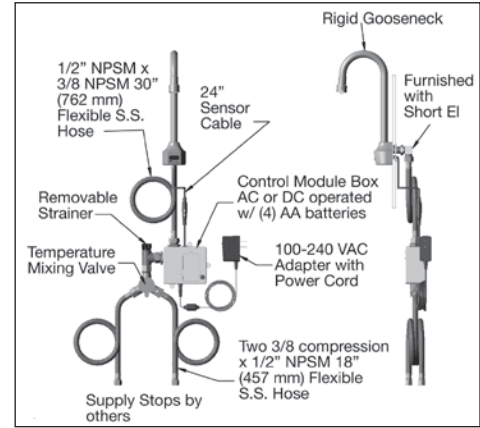
Chekpoint™ Electronic Sensor Faucets



All models have: • Vandal-resistant aerator • AC/DC control module (electric plug-in and battery)

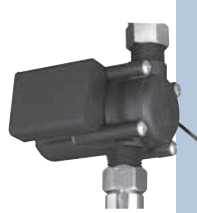
EC-3101 Electronic Faucet

- Chrome plated brass electronic faucet
- Wall-mounted rigid gooseneck
- B-0199-06 vandal-resistant aerator
- Height: 11" (280 mm)
- Spread: 4-1/8" (104 mm)
- Clearance: 5-5/8" (143mm)
- (2) 18" (457 mm) long flexible supply hoses with 3/8" compression fittings
- Furnished with vandal-resistant key
- Other rigid goosenecks can be specified
- Includes anti-rotation screw
- Mechanical temperature mixing valve with integral check valves




MODEL	GOOSENECK	HEIGHT	CLEARANCE	SPREAD	OUTLET	GPM	VR	NOTES
EC-3101	Rigid	11"	5-5/8"	4-1/8"	B-0199-06 VR aerator	2.2 GPM	Y	
EC-3101-HG	Rigid	11"	5-5/8"	4-1/8"	B-0199-06 VR aerator	2.2 GPM	Y	Includes EC-HYDROGEN hydrogenerator power supply
EC-3101-LF22	Rigid	11"	5-5/8"	4-1/8"	B-0199-21-VRF VR laminar flow device	2.2 GPM	Y	
EC-3101-LN	—	2-3/16"	—	—	—	—	—	Less nozzle/aerator
EC-3101-LF22-SB	Rigid	11-5/8"	6-3/16"	8-1/16"	B-0199-21-VRF VR laminar flow device	2.2 GPM	Y	Surgical bend gooseneck
EC-3101-TMV	Rigid	11"	5-5/8"	4-1/8"	B-0199-06 VR aerator	2.2 GPM	Y	Includes EC-TMV ASSE 1070 thermostatic temp. mixing valve with integral check valves
EC-3101-TMVHGF10	Rigid	11"	7-5/16"	4-1/8"	B-0199-06-F10 VR aerator	1.0 GPM	Y	Includes EC-HYDROGEN hydrogenerator power supply and EC-TMV ASSE 1070 thermostatic temp. mixing valve with integral check valves
EC-3101-VF05	Rigid	11"	5-5/8"	4-1/8"	B-0199-06-N05 VR non-aerated spray device	0.5 GPM	Y	
EC-3101-VF5-TMV	Rigid	11"	5-5/8"	4-1/8"	B-0199-06-N05 VR non-aerated spray device	0.5 GPM	Y	Includes EC-TMV ASSE 1070 thermostatic temp. mixing valve with integral check valves
EC-3101-XP-LF10	Rigid (120XP)	11-5/32"	4-15/16"	5-1/2"	Plain end	1.0 GPM	Y	Includes 1.0 GPM flow control check valve

VR Vandal-resistant




To order the standard CheckPoint™ Sensor Faucet models to include the **Hydro-generator** (add -HG) to:

- EC-3100-HG
- EC-3101-HG
- EC-3102-HG
- EC-3103-HG
- EC-3106-HG



To order the standard CheckPoint™ Sensor Faucet models to include the side-mount above deck **Thermostatic mixing valve** (add -SMT) to:

- EC-3100-SMT
- EC-3102-SMT



To order the standard CheckPoint™ Sensor Faucet models to include the below deck **Thermostatic mixing valve** (add -TMV) to:

- EC-3100-TMV
- EC-3101-TMV
- EC-3102-TMV
- EC-3103-TMV
- EC-3106-TMV

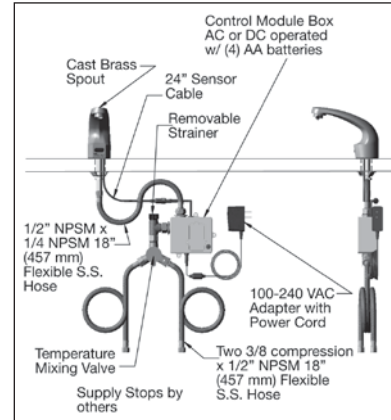


Chekpoint™ Electronic Sensor Faucets



All models have: • Vandal-resistant aerator • AC/DC control module (electric plug-in and battery)

EC-3102 Electronic Faucet



- Chrome plated brass electronic faucet
- Single hole deck-mounted cast spout
- B-0199-08 vandal-resistant aerator
- Height: 5-1/16" (129 mm)
- Spout length: 4-7/8" (124 mm)
- Clearance: 4-1/16" (103 mm)
- (2) 18" (457 mm) long flexible supply hoses with 3/8" compression fittings
- Furnished with vandal-resistant key
- Includes 1/8" dia. anti-rotation pin
- Mechanical temperature mixing valve with integral check valves

MODEL	GOOSENECK	HEIGHT	CLEARANCE	SPREAD	OUTLET	GPM	VR	NOTES
EC-3102	Cast Spout	5-1/16"	4-1/16"	4-7/8"	B-0199-08 VR aerator	2.2 GPM	Y	
EC-3102-HG	Cast Spout	5-1/16"	4-1/16"	4-7/8"	B-0199-08 VR aerator	2.2 GPM	Y	Includes EC-HYDROGEN hydrogenerator power supply
EC-3102-LF22	Cast Spout	5-1/16"	4-1/16"	4-7/8"	B-0199-28-VRF VR laminar flow device	2.2 GPM	Y	
EC-3102-SM	Cast Spout	5-3/8"	4-3/8"	4-7/8"	B-0199-08 VR aerator	2.2 GPM	Y	Side-mount mechanical mixer (B-2740); includes 10" wide deck plate
EC-3102-SMT4	Cast Spout	5-3/8"	4-3/8"	4-7/8"	B-0199-08 VR aerator	2.2 GPM	Y	Includes EC-SMT above deck side mount adj. thermostatic mixing valve; 6-1/2" wide deck plate
EC-3102-SMT4V05	Cast Spout	5-3/8"	4-3/8"	4-7/8"	B-0199-08-N05 VR non-aerated spray device	0.5 GPM	Y	Includes EC-SMT above deck side mount adj. thermostatic mixing valve; 6-1/2" wide deck plate
EC-3102-SMT8	Cast Spout	5-3/8"	4-3/8"	4-7/8"	B-0199-08 VR aerator	2.2 GPM	Y	Includes EC-SMT above deck side mount adj. thermostatic mixing valve; 10" wide deck plate
EC-3102-SMT8V05	Cast Spout	5-3/8"	4-3/8"	4-7/8"	B-0199-08-N05 VR non-aerated spray device	0.5 GPM	Y	Includes EC-SMT above deck side mount adj. thermostatic mixing valve; 10" wide deck plate
EC-3102-TMV	Cast Spout	5-1/16"	4-1/16"	4-7/8"	B-0199-08 VR aerator	2.2 GPM	Y	Includes EC-TMV ASSE 1070 thermostatic temp. mixing valve with integral check valves
EC-3102-TMV4V05	Cast Spout	5-3/8"	4-3/8"	4-7/8"	B-0199-08-N05 VR non-aerated spray device	0.5 GPM	Y	Includes EC-TMV ASSE 1070 thermostatic temp. mixing valve with integral check valves; 6" wide deck plate
EC-3102-VF05	Cast Spout	5-1/16"	4-1/16"	4-7/8"	B-0199-08-N05 VR non-aerated spray device	0.5 GPM	Y	
EC-3102-VF5-TMV	Cast Spout	5-1/16"	4-1/16"	4-7/8"	B-0199-08-N05 VR non-aerated spray device	0.5 GPM	Y	Includes EC-TMV ASSE 1070 thermostatic temp. mixing valve with integral check valves

VR Vandal-resistant

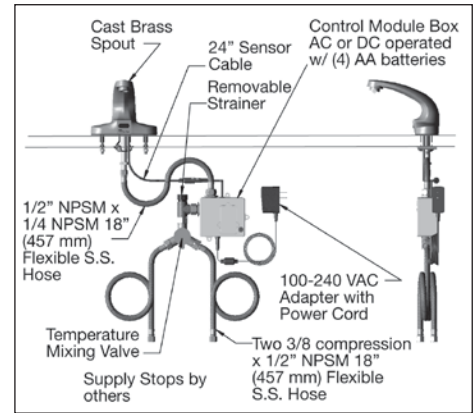


Chekpoint™ Electronic Sensor Faucets

All models have: • Vandal-resistant aerator • AC/DC control module (electric plug-in and battery)

EC-3103 Electronic Faucet

- Chrome plated brass electronic faucet
- Deck-mounted cast spout
- 4" centers mounting posts
- B-0199-08 vandal-resistant aerator
- Height: 5-1/16" (129 mm)
- Spout length: 4-7/8" (124 mm)
- Clearance: 4-1/16" (103 mm)
- Furnished with vandal-resistant key
- Mechanical temperature mixing valve with integral check valves

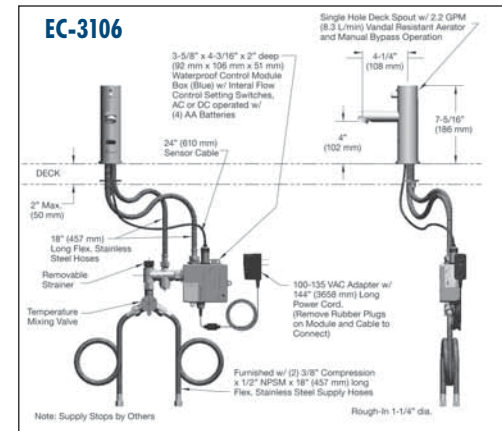


MODEL	GOOSENECK	HEIGHT	CLEARANCE	SPREAD	OUTLET	GPM	VR	NOTES
EC-3103	Cast Spout	5-1/16"	4-1/16"	4-7/8"	B-0199-08 VR aerator	2.2 GPM	Y	
EC-3103-HG	Cast Spout	5-1/16"	4-1/16"	4-7/8"	B-0199-08 VR aerator	2.2 GPM	Y	Includes EC-HYDROGEN hydrogenerator power supply
EC-3103-LF22	Cast Spout	5-1/16"	4-1/16"	4-7/8"	B-0199-28 VR laminar flow device	2.2 GPM	Y	
EC-3103-TMV	Cast Spout	5-1/16"	4-1/16"	4-7/8"	B-0199-08 VR aerator	2.2 GPM	Y	Includes EC-TMV ASSE 1070 thermostatic temp. mixing valve with integral check valves
EC-3103-VF05	Cast Spout	5-1/16"	4-1/16"	4-7/8"	B-0199-08-N05 VR non-aerated spray device	0.5 GPM	Y	
EC-3103-VF5-TMV	Cast Spout	5-1/16"	4-1/16"	4-7/8"	B-0199-08-N05 VR non-aerated spray device	0.5 GPM	Y	Includes EC-TMV ASSE 1070 thermostatic temp. mixing valve with integral check valves

VR Vandal-resistant

EC-3106 Electronic Faucet with Manual Override

- Chrome plated brass single hole deck-mounted electronic sensor faucet
- Cast spout with 2.2 GPM (8.3 LPM) vandal-resistant aerator and manual bypass operation
- Modular assembly for easy installation (Note: supply stops to be supplied by others)
- AC/DC waterproof control module box with serviceable strainer filter
- (2) 3/8" compression, 18" (457 mm) long flexible stainless steel hot and cold water supply hoses
- Check valve assembly for crossflow prevention
- Hands-free washing reduces risk of contamination and saves water
- Mechanical temperature mixing valve with integral check valves



CP 13

MODEL	GOOSENECK	HEIGHT	CLEARANCE	SPREAD	OUTLET	GPM	VR	NOTES
EC-3106	Cast Spout	8-3/4"	5-1/2"	4-1/4"	B-0199-09 VR aerator	2.2 GPM	Y	
EC-3106-HG	Cast Spout	8-3/4"	5-1/2"	4-1/4"	B-0199-09 VR aerator	2.2 GPM	Y	Includes EC-HYDROGEN hydrogenerator power supply
EC-3106-VF05	Cast Spout	8-3/4"	5-1/2"	4-1/4"	B-0199-09-N05 VR non-aerated spray device	0.5 GPM	Y	

VR Vandal-resistant



ChekPoint™ Faucets with Above Deck Electronics and Temperature Control

EC-3122 Electronic Faucet



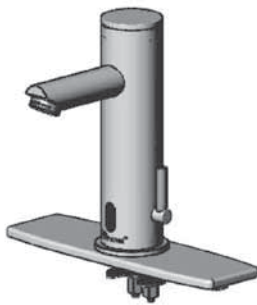
- Chrome plated brass single hole deck-mounted electronic sensor faucet
- Above deck electronics for easy installation and maintenance
- Chrome plated brass body
- Temperature mixing handle
- (2) 3/8" compression, 19" (483 mm) long flexible stainless steel hot and cold water supply hoses
- 2.2 GPM vandal-resistant aerator (B-0199-09)
- Check valve adapters for crossflow prevention
- AC/DC power option
- Hands-free washing reduces risk of contamination and saves water
- Up to (8) eight models can be ganged together using EC-HARDWIRE



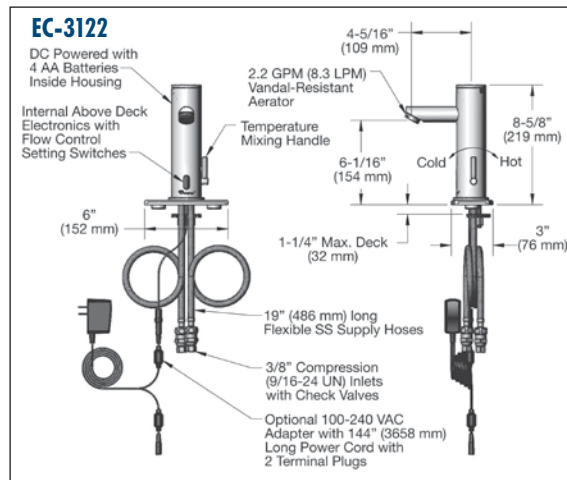
A recommended 2012 Money-Saving Product in BUILDINGS magazine

MODEL	GOOSENECK	HEIGHT	CLEARANCE	SPREAD	OUTLET	GPM	VR	NOTES
EC-3122	Spout	8-5/16"	5-3/4"	4-5/16"	B-0199-09 VR aerator	2.2 GPM	Y	
EC-3122-4DP	Spout	8-5/8"	6-1/16"	4-5/16"	B-0199-09 VR aerator	2.2 GPM	Y	4" centers forged brass chrome plated deckplate
EC-3122-8DP	Spout	8-5/8"	6-1/16"	4-5/16"	B-0199-09 VR aerator	2.2 GPM	Y	8" centers forged brass chrome plated deckplate
EC-3122-HG	Spout	8-5/16"	5-3/4"	4-5/16"	B-0199-09 VR aerator	2.2 GPM	Y	EC-HYDROGEN hydrogenerator power supply; optional AC/DC power
EC-3122-VF05	Spout	8-5/16"	5-3/4"	4-5/16"	B-0199-09-N05 non-aerated spray device	0.5 GPM	Y	

VR Vandal-resistant



EC-3122-8DP



EC-3122 ChekPoint Sensor Faucet Accessories and Replacement Parts

018227-45	Battery Holder for EC-3122 ChekPoint Electronic Sensor Faucet
018230-45	Temperature Control Handle with Screw, EC-3122
018232-45	Check Valve Adapter Assembly, EC-3122
018233-45	Mounting Hardware Kit, EC-3122
018160-40	Cap for EC-3122 Chekpoint Electronic Sensor Faucet



ChekPoint™ Faucets with Above Deck Electronics and Temperature Control

EC-3130 Electronic Faucet



- Chrome plated brass single hole deck-mounted electronic sensor faucet
- Above deck electronics for easy installation and maintenance
- Chrome plated brass body
- Swivel/rigid gooseneck (includes lock washer for rigid conversion)
- 2.2 GPM vandal-resistant aerator; includes vandal-resistant key (B-0199-06)
- Temperature mixing handle with color coded index
- Optional plug replaces lever handle when pre-setting temperature
- Modular assembly for easy installation (Note: supply stops to be supplied by others)
- (2) 3/8" compression, 19" (483 mm) long flexible stainless steel hot and cold water supply hoses
- Check valve adapters for crossflow prevention
- AC/DC power option
- Hands-free washing reduces risk of contamination and saves water
- Up to (8) eight models can be ganged together using EC-HARDWIRE

MODEL	GOOSENECK	HEIGHT	CLEARANCE	SPREAD	OUTLET	GPM	VR	NOTES
EC-3130	Swivel Gooseneck	11-1/16"	6-3/4"	5-7/16"	B-0199-06 VR aerator	2.2 GPM	Y	Optional conversion to rigid requires lock washer (included)
EC-3130-4DP	Swivel Gooseneck	11-3/8"	7-1/16"	5-7/16"	B-0199-06 VR aerator	2.2 GPM	Y	4" centers forged brass chrome plated deckplate
EC-3130-8DP	Swivel Gooseneck	11-3/8"	7-1/16"	5-7/16"	B-0199-06 VR aerator	2.2 GPM	Y	8" centers forged brass chrome plated deckplate
EC-3130-HG	Swivel Gooseneck	11-1/16"	6-3/4"	5-7/16"	B-0199-06 VR aerator	2.2 GPM	Y	Includes EC-HYDROGEN hydrogenerator power supply; optional AC/DC power
EC-3130-LF22	Swivel Gooseneck	11-1/16"	6-3/4"	5-7/16"	B-0199-21-VRF VR laminar flow device	2.2 GPM	Y	
EC-3130-LN	—	—	—	—	—	—	—	Less gooseneck/aerator
EC-3130-ST-VF05	Swivel Gooseneck	11-1/16"	6-3/4"	5-7/16"	B-0199-06-N05 VR non-aerated spray device	0.5 GPM	Y	Single temperature; lever handle replaced with plug
EC-3130-VF05	Swivel Gooseneck	11-1/16"	6-3/4"	5-7/16"	B-0199-06-N05 VR non-aerated spray device	0.5 GPM	Y	
EC-3130-XP-F10	Swivel Gooseneck	10-11/16"	6-3/4"	5-11/16"	Plain end	1.0 GPM	Y	1.0 GPM Flow regulator swivel piece
EC-3130-XP-F15	Swivel Gooseneck	10-11/16"	6-3/4"	5-11/16"	Plain end	1.5 GPM	Y	1.5 GPM Flow regulator swivel piece

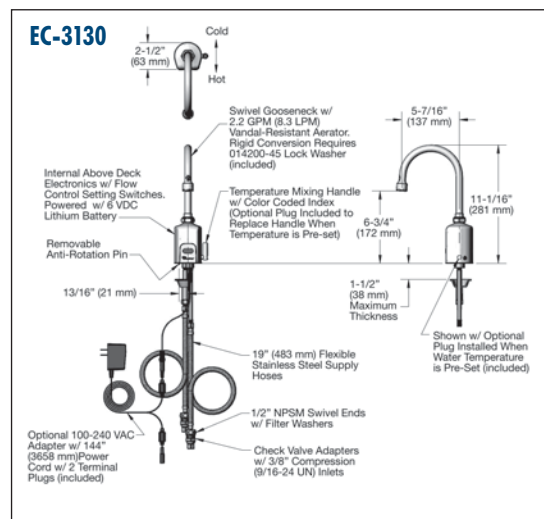
VR Vandal-resistant



EC-3130-4DP



EC-3130-8DP





ChekPoint™ Faucets with Above Deck Electronics and Temperature Control



EC-3132 Electronic Faucet



- Chrome plated brass single hole deck-mounted electronic sensor faucet
- Above deck electronics for easy installation and maintenance
- Chrome plated brass body
- Temperature mixing handle with color coded index
- Cast spout
- 2.2 GPM vandal-resistant aerator; includes vandal-resistant key (B-0199-08)
- Optional plug replaces lever handle when pre-setting temperature
- Modular assembly for easy installation (Note: supply stops to be supplied by others)
- (2) 3/8" compression, 19" (483 mm) long flexible stainless steel hot and cold water supply hoses
- Check valve adapters for crossflow prevention
- AC/DC power option
- Hands-free washing reduces risk of contamination and saves water
- Up to (8) eight models can be ganged together using EC-HARDWARE



MODEL	GOOSENECK	HEIGHT	CLEARANCE	SPREAD	OUTLET	GPM	VR	NOTES
EC-3132	Cast Spout	7-1/16"	6-5/8"	5-1/2"	B-0199-08 VR aerator	2.2 GPM	Y	
EC-3132-4DP	Cast Spout	8"	6-15/16"	5-1/2"	B-0199-08 VR aerator	2.2 GPM	Y	4" centers forged brass chrome plated deckplate
EC-3132-8DP	Cast Spout	8"	6-15/16"	5-1/2"	B-0199-08 VR aerator	2.2 GPM	Y	8" centers forged brass chrome plated deckplate
EC-3132-HG	Cast Spout	7-11/16"	6-5/8"	5-1/2"	B-0199-08 VR aerator	2.2 GPM	Y	Includes EC-HYDROGEN hydrogenerator power supply; optional AC/DC power
EC-3132-LF22	Cast Spout	7-11/16"	6-5/8"	5-1/2"	B-0199-28 VR laminar flow device	2.2 GPM	Y	
EC-3132-ST-VF05	Swivel Gooseneck	11-1/16"	6-3/4"	5-7/16"	B-0199-06-N05 VR non-aerated spray device	0.5 GPM	Y	Single temperature; lever handle replaced with plug
EC-3132-VF05	Cast Spout	7-11/16"	6-5/8"	5-1/2"	B-0199-08-N05 VR non-aerated spray device	0.5 GPM	Y	

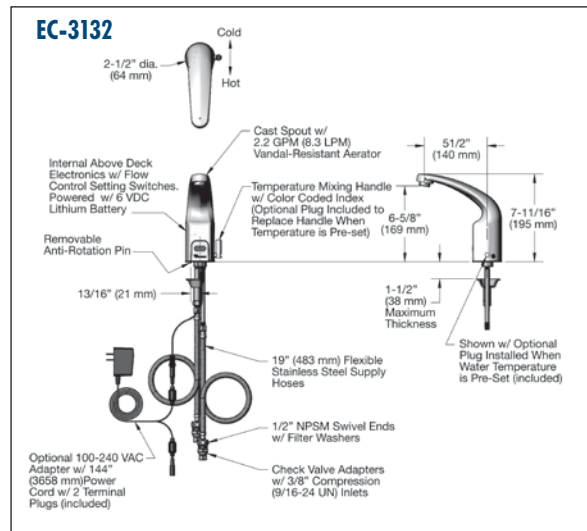
VR Vandal-resistant



EC-3132-4DP



EC-3132-8DP



ChekPoint™ Electronic Faucets / Model Options



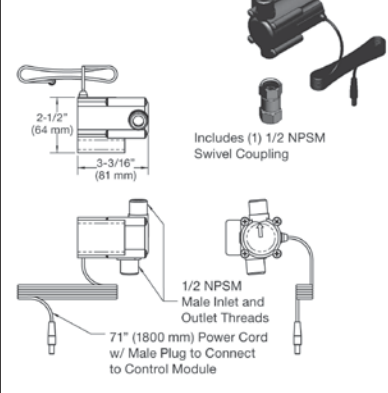
EC-HYDROGEN Hydrogenerator Accessory For ChekPoint™ Faucets

- Hydrogenerator with 1/2 NPSM male inlet and outlet threads
- Accessory for all ChekPoint™ electronic sensor faucets
- Includes generator, (1) 1/2 NPSM swivel coupling
- 71" (1800 mm) power cord with male plug to connect to control module
- Average estimated lifespan for EC-HYDROGEN is ten years (estimate based on 1 million cycles in lab testing; individual results may differ)
- To order the standard CheckPoint™ Sensor Faucet models to include the hydrogenerator, add -HG, ie.: EC-3100-HG
- Order EC-HYDROGEN to retrofit hydrogenerator to any EC-model

Note: Minimum flow rate of 1.0 GPM is required for applications using EC-HYDROGEN



EC-HYDROGEN



EC-SMT Side-Mount Thermostatic Mixing Valve

- Side-mount above deck thermostatic mixing valve
- Polished chrome-plated handle with vandal-resistant screw
- Designed for point-of-use temperature adjustment
- Universal design accommodates virtually any application; countertops up to 1-3/16" thick, holes from 1" to 1-1/2" diameter
- Available for EC-3100 and EC-3102 models



To order the standard CheckPoint™ Sensor Faucet models to include the side-mount thermostatic mixing valve (add -SMT):

EC-3100-SMT
EC-3102-SMT

Note: these are the only two EC-models available with -SMT

EC-TMV Thermostatic Mixing Valve

- Thermostatic mixing valve with 1/2" NPSM male fittings
- Tested and certified to ASSE 1070
- Integral check valves with filter washers in hot and cold inlets
- Tamper resistant locking adjustment knob prevents water from exceeding pre-set maximum temperature
- Can be added to any ChekPoint™ faucet; specify with -TMV suffix

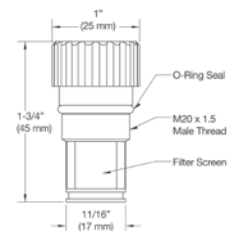


To order the standard CheckPoint™ Sensor Faucet models to include the thermostatic mixing valve (add -TMV):

EC-3100-TMV **EC-3106-TMV**
EC-3101-TMV **EC-3122-TMV**
EC-3102-TMV **EC-3130-TMV**
EC-3103-TMV **EC-3132-TMV**

EC-FILTER Electronic Faucet

- Replacement filter for ChekPoint™ control module





RELIABILITY BUILT IN™

Introducing the T&S Brass



EC-Hydrogen Series Electronic Sensor Faucets with Hydrogenerator

Imagine a faucet which generates and stores its own power through the flow of water!

All of our ChekPoint™ Electronic Sensor Faucets can all be ordered or easily modified with a EC-HYDROGEN hydrogenerator. It is one of three power options for the T&S Brass ChekPoint™ product line.

The kit includes a female-to-female 1/2 NPSM swivel adapter, a hydrogenerator with 1/2 NPSM inlet and outlet and attached power cord for connection to the existing sensor faucet control module. The use of the T&S ChekPoint™ EC-HYDROGEN and/or T&S ChekPoint™ Electronic Faucets may help qualify towards credits for LEED certification.

Operation

Imagine having a self-sustaining power source for your ChekPoint™ sensor faucets and no longer needing to only rely on batteries or transformers. Hydroelectric power – energy harnessed from moving water – is a form of renewable energy.

Using this principle, our hydrogenerator produces energy to power our ChekPoint™ sensor faucets. Water enters the hydrogenerator and passes by a turbine causing it to rotate. The hydrogenerator uses part of this rotational energy to power the sensor faucets. The remaining energy generated is saved and stored in the hydrogenerator for later use. The unit can store power for up to eight months with no cycling.

The average estimated lifespan for EC-Hydrogen is ten years (estimate based on 1 million cycles in lab testing; individual results may differ).

SAVE ENERGY WATER MONEY

EC-3100

EC-3101

EC-3100-LF22-SB

EC-3102

EC-3103

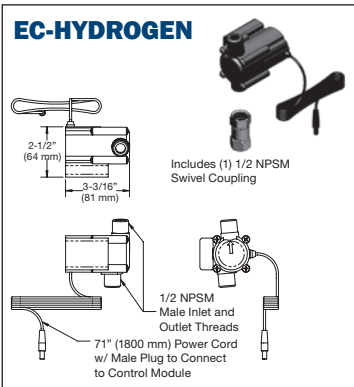
EC-3106

EC-3132

EC-3130

EC-3102-HG

EC-3122



CP 18



ChekPoint™ Electronic Faucets / Installation Options



- Gang-install up to eight faucets with one power supply, saving installation time and money!
- Available for all ChekPoint Electronic Sensor Faucets

EC-EASYWIRE ChekPoint™ Installation Kit

- 100-240 VAC Plug-in transformer
- 76" long power cord
- Allows up to eight (8) electronic ChekPoint faucets to be ganged to a single power jack
- Requires one EC-EASYWIRE4CC connector per faucet
- Compliant with CEC Appliance Efficiency Regulations CEC-400-2007-016-REV1



EC-EASYWIRE4CC ChekPoint™ Installation Kit

- 4' connector cables for EasyWire AC transformer connections in a daisy chain circuit
- One EC-EASYWIRE4CC connector is needed for each additional faucet in chain

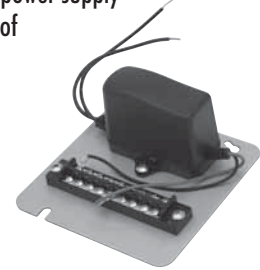


EC-EASYWIRE5EXT ChekPoint™ Installation Kit

- 5' extension cables when additional cable length is needed for connections

EC-HARDWIRE ChekPoint™ Installation Kit

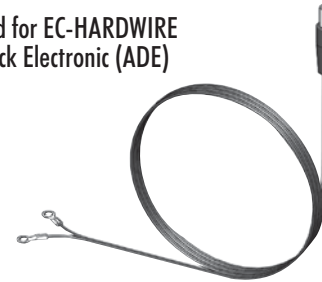
- Electronic AC transformer, input 100-240 VAC, 47-63 Hz
- Terminal block allows you to hardwire up to eight (8) ChekPoint faucets to a single power supply
- Connect to terminals on back of ChekPoint Control Module
- Mounting plate serves as lid for standard size conduit box (box not included)
- Note: wiring supplied by others



NEW
Accessory!

EC-ADEWIRE ChekPoint™ Installation Kit for Above Deck Electronic Faucets (ADE)

- 33' long cable used for EC-HARDWIRE for each Above Deck Electronic (ADE) faucet



ChekPoint™ Electronic Faucets / Deckplate Options

Electronic Faucet Deckplate Part Numbers

- To add a deckplate to an existing ChekPoint Electronic Faucet, order with these part numbers for each EC- faucet model

EC-models	4" Deckplate	8" Deckplate
EC-3100	013433-40	013434-40
EC-3101	n/a	n/a
EC-3102	013433-40	013434-40
EC-3103	n/a	n/a
EC-3106	013433-40	013434-40
EC-3122	018282-40	018507-40
EC-3130	013433-40	013434-40
EC-3132	013433-40	013434-40



EC-3130-4DP



EC-3130-8DP



EC-3132-4DP



EC-3132-8DP

NEW
Models!

ChekPoint™ Electronic Faucets / EC-3100 and EC 3101 Model Option



- EC-3100 and EC-3101 – you can specify any T&S rigid gooseneck listed below as an option
- The standard EC-3100 and EC-3101 have a rigid gooseneck with B-0199-06 vandal-resistant aerator, 2.2 GPM

Rigid Gooseneck



- Nozzle tip has 3/8" NPSM outlet with a stream regulator

Note: Use Series 2 outlets on these goosenecks

Note: In order to stay within the full range of the sensor, it is recommended that gooseneck spreads be limited to 6" max.

Model No.	Standard Sizes Spread	Height	Clearance
119X	2-5/8" (67 mm)	8-3/4" (222 mm)	5-1/4" (133 mm)
120X	5-1/2" (140 mm)	10-1/4" (260 mm)	5-1/4" (133 mm)
120X-LAM	5-9/16" (141 mm)	10-1/4" (260 mm)	4-13/16" (122 mm)
120X-LAM-VR	5-9/16" (141 mm)	10-1/4" (260 mm)	4-3/4" (121 mm)
122X	5-1/2" (140 mm)	11-1/2" (292 mm)	6-1/2" (165 mm)
123X	5-1/2" (140 mm)	12-1/2" (318 mm)	7-1/2" (191 mm)
124X	5-1/2" (140 mm)	13-1/2" (343 mm)	8-1/2" (216 mm)
125X	5-1/2" (140 mm)	14-1/2" (368 mm)	9-1/2" (241 mm)
126X	5-1/2" (140 mm)	5-1/2" (140 mm)	10-1/2" (267 mm)
165X	4-1/16" (103 mm)	9-1/4" (235 mm)	5-13/16" (148 mm)

-LAM Laminar Flow Outlet **-VR** Vandal-Resistant

Rigid Gooseneck/Stream Regulator:
120XM Master Box (6)

Rigid Gooseneck/Plain End Spout:
120XP Same as 120X except with plain end
122XP Same as 122X except with plain end

ChekPoint™ Electronic Faucet / EC-3130-LN Model Option

- EC-3130-LN – you can specify any T&S swivel gooseneck listed below as an option
- The standard EC-3130 has a swivel gooseneck (018490-40) with B-0199-06 vandal-resistant aerator, 2.2 GPM

Swivel Gooseneck



- Nozzle tip has male threads with a stream regulator

Note: Use Series 2 outlets on these goosenecks except for 131X and 133X, which use Series 1 outlets

Swivel Gooseneck/Plain End Spout:

- 131XP Same as 131X except with plain end
- 132XP Same as 132X except with plain end
- 133XP Same as 133X except with plain end

Note: XP = Plain end

Note: In order to stay within the full range of the sensor, it is recommended that gooseneck spreads be limited to 6" max.

Model No.	Standard Sizes Spread	Height	Clearance	Outlet/Series
131X	2-13/16" (71 mm)	4-11/16" (119 mm)	2-3/16" (56 mm)	B-PT (Series 1)
132X	2-5/8" (67 mm)	9" (229 mm)	5-7/16" (138 mm)	B-LT (Series 2)
133X	5-11/16" (144 mm)	10-5/16" (262 mm)	6-1/4" (159 mm)	B-PT (Series 1)
133X-AER	5-3/4" (146 mm)	10-5/16" (262 mm)	5-13/16" (148 mm)	B-0199-01 (Ser. 1)
133X-LAM	5-3/4" (146 mm)	10-5/16" (262 mm)	5-13/16" (148 mm)	B-0199-21 (Ser. 1)
133X-LAM-VR	5-3/4" (146 mm)	10-5/16" (262 mm)	5-13/16" (148 mm)	B-0199-21-VRF (1)

-AER Aerator **-LAM** Laminar Flow Outlet **-VR** Vandal-Resistant

Swivel Gooseneck/Stream Regulator:

- 131X-ADA ADA gooseneck
- 131XM Master Box (6)
- 132XM Master Box (6)
- 133XM Master Box (6)
- 135XM Master Box (6)



The Hands-Free Ease of a T&S Sensor Faucet...

...and the Reliability of a Pre-Rinse Unit!

The Newest T&S Ware-Washing Faucet is a Hybrid: Meet the ECR-D0810-107 ChekPoint™ Rinse Faucet

We've combined the reliability of a ChekPoint™ sensor faucet with the outstanding rinsing ability of a B-0107 spray valve. The result: the **ECR-D0810-107 ChekPoint Rinse Faucet** with pre-rinse capabilities.

T&S engineers designed this model to meet the needs of unique ware-washing applications where something more than our traditional pre-rinse unit is needed.

The **ECR-D0810-107 Rinse Faucet** has a rigid 90° riser with a 360° swivel which effectively allows the user to direct the B-0107 spray head wherever it is most needed.



ECR-D0810-107

ECR-D0810-107 FEATURES

- The easy installation of a T&S ChekPoint deck-mount electronic sensor faucet with below-deck electronics
- Heavy-duty brass construction
- Mechanical temperature mixing valve
- Integral check valves for crossflow prevention
- Transformer plug-in with 12 ft. split tail power cable; additional power options available
- Rigid 90° riser and reliable B-0107 spray outlet with water-saving 1.42 GPM (EPA 2005 compliant)

OPTIONS

Other options may be available, including:

- T&S rigid nozzle (rigid gooseneck shown, above right)
- Choice of any T&S spray outlet (B-0107-C spray head shown, right)



COMPLIANCES

- ASME A112.18.1/CSA B125.1
- ANSI A117.1 (ADA)
- UL 1951



T&S Brass and Bronze Works, Inc.
2 Saddleback Cove • P.O. Box 1088 • Travelers Rest, SC 29690
Toll-free 800-476-4103 • Phone 864-834-4102
Fax 800-868-0084



ChekPoint™ Ware Washing Faucet



**ECR-D0810-107
ChekPoint Electronic
Rinse Faucet**



NEW! ChekPoint electronic faucet with pre-rinse capabilities, designed for specific ware-washing applications

- Chrome plated brass single hole electronic sensor faucet
- Deck-mounted rigid nozzle with ball joint swivel
- B-0107 spray head (1.42 GPM)
- Height: 15" (381 mm)
- Spread: 8" (203 mm)
- Clearance: 10" (254 mm)
- (2) 18" (457 mm) long flexible supply hoses with 3/8" compression fittings
- Other rigid goosenecks can be specified
- Other T&S spray outlets can be specified (with 1.42 GPM or less)

See page CP21 for more information about this model



- Features:**
- Reliable and robust below-deck electronics
 - 12 ft. plug-in wall transformer with split-tail with additional power options available; includes (4) 'AA' batteries
 - Mechanical temperature mixing valve
 - Programmable auto time out, water shut-off delay and auto flush functions
 - Integral filter screens prevent particles from damaging faucet or solenoid valve
 - Integral check valves to prevent back flow and water contamination
 - Anti-rotation pin for positive location on mounting surface

D

Institutional, Medical and Lab Products



 **RELIABILITY BUILT IN™**





Institutional, Medical and Lab Products – D

INTRODUCTORY PAGES NEW FEATURED T&S PRODUCTS

- B-3400/B-3500 Series Pressure Balancing Shower Valves and Threaded Connections, p. D54-58

Single Lever Faucets D4-6

- Single Lever Faucets, Deck and Side Mount, Centerset, Swivel, Rigid and Gooseneck Assemblies

Lavatory FaucetsD7-31

- EasyInstall Rigid Lavatory Faucets D7-8, 13
- EasyInstall Swivel Lavatory Faucets D9-13
- EasyInstall Cast Basin Spout Faucets D14
- Concealed Widespread Faucets with Adjustable Centers D15-17
- Lavatory Faucets with Rigid Gooseneck D18
- Lavatory Faucets with Swivel Gooseneck D19
- Lavatory Faucets with Cast Basin Spout D20
- Centerset Faucets with or without Pop-Up Drain Assembly D21-22
- Pop-Up Drain Assemblies D22
- Pivot Action Metering Faucets D23-24
- Slow Self-Closing Metering Faucets D25-30
- Surgical Sink Faucets D31

Pedal Valves, Dummy Goosenecks and BubblersD32-37

- Single and Double Pedal Valves D32-33
- Knee Valves D33
- Dummy Goosenecks D34-36
- NEW!** Bubblers and Bubblers with Water Filtration D37

Service Sink and Sill Faucets D38-49

- Service Sink Faucets with Elevated Vacuum Breakers D38
- Service Sink Faucets with Built-In Stops D39-46
- Service Sink/Mop Sink Faucets and Accessories D47
- Sill and Heavy Duty Sink Faucets D48-49

Looking for Nozzles, Aerators, Goosenecks and Handles?
See Our **NEW Accessories** section in the G-11

Bedpan Washers D50-51

Bath and Shower D52-59

- Concealed Single Valves D52
- Concealed Bypass Mixing Valves D52
- Accessories and "Shower Queen" Personal Spray Assemblies D53, 59
- NEW!** Pressure Balancing Shower Valves D3, 54-58
 - B-3200 and B-3400 series, Sweat Connections / 2.5 and 1.5 GPM D55, 57
 - B-3300 and B-3500 series, Threaded Connections / 2.5 and 1.5 GPM D56, 58
- Bath and Shower Combinations D59

Vacuum Breaker Assemblies D60

Laboratory Products D62-76

- Lab Hose Cocks and Turrets D62-64
- Panel Flanges D65
- Stops D64-65
- Remote Control Valve Units D66
- Fume Hood Fittings D67
- Fittings, Support Rods and Accessories D68
- Lab Faucets, Double and Single Ledge, Combination Faucets, Single Temperature Faucets and Lab Accessories D68-76

Stops and Supplies D76-77

- Straight and Angle Loose Key Stops

T&S and Water Conservation D78-79

- Low Flow Aerators and Outlets
- Laminar Flow Outlets and Non-Aerated Spray Devices

? Can't find the T&S product you're looking for?
Please visit www.tsbrass.com for a complete product listing.

NOTE:
A comprehensive *Index By Model or Part Number and Page* can be found in the G-11 **General Product Catalog Master Index** section (IN).



New Models! B-3400 and B-3500 Series Give You More Options

When you choose a T&S Brass product, you know you've chosen one with *Reliability Built In™*.

Our ASSE 1016 Certified *Pressure Balancing Shower Valve* models include various combinations of shower products to meet your specific needs.

B-3200 and B-3400 Series with Sweat Connections

Our B-3200 and NEW B-3400 series shower valve packages are designed for installation with 1/2" sweat connections, allowing for easy sweating of copper pipe.

The B-3200 series includes a shower head with 2.5 GPM. Our NEW B-3400 series gives you a choice of models with a water-saving 1.5 GPM shower head.

B-3300 and B-3500 Series with Threaded Connections

The B-3300 and NEW B-3500 series models have 1/2" NPT threaded connections for easy installation to traditional threaded pipe, especially designed for installation in facilities that prohibit open flames (i.e. health care facilities).

The B-3300 series includes a 2.5 GPM shower head, and the NEW B-3500 series offers a water-saving shower head with a flow rate of 1.5 GPM.

With many different component packages to choose from, these shower products all include a heavy-duty solid brass pressure balancing shower mixing valve.

And with T&S's *Reliability Built In™*, you can be assured of owning an outstanding shower product along with T&S established quality and durability.

	2.5 GPM	1.5 GPM
1/2" NPT Sweat Connections	B-3200 Series	B-3400 Series
1/2" NPT Threaded Connections	B-3300 Series	B-3500 Series



B-3200/
B-3300



B-3200/B-3300
Pressure Balancing Shower Valve,
2.5 GPM Shower Head and Tub Spout

FEATURES:

- Temperature limit stop
- Integral supply stops
- Replaceable ceramic cartridge
- Pressure balance shower valve with heavy-duty solid brass construction (ASSE 1016)
- Polished chrome trim with color coded index
- Choice of 1.5 GPM or 2.5 GPM shower head models
- Chrome plated tub spout

OPTIONS:

- Hand held spray assembly with throttle down feature saves water
- Flexible 5 ft. polished metal hose
- Slide bar with multi-positional bracket
- Optional wall-mount vacuum breaker on spray assembly
- A wide variety of different shower model packages to choose from



See pages D54-58 for more information on these products.

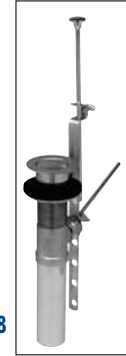
Single Lever Faucets



- All models have:
- Temperature limit stops
 - Ceramic Cartridge with 2-year warranty

B-2711 Single Lever Faucet

- 4" centerset single lever deck-mount faucet
- 3-1/2" (89 mm) long handle
- 1/2" NPSM male inlet shanks with coupling nuts
- 2.2 GPM aerator (B-0199-04)
- Ceramic cartridge with adjustable temperature limit stop
- Color coded index
- 1-1/4" (32 mm) max. mounting surface thickness



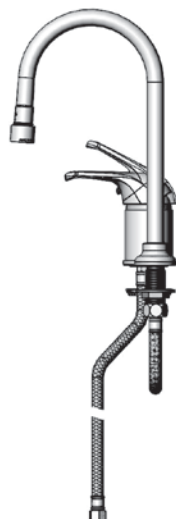
B-0898

MODEL	CARTRIDGE	HEIGHT	CLEARANCE	SPREAD	OUTLET	GPM	HANDLE	VR	NOTES
B-2710	Ceramic	4-7/8"	2-1/4"	4-5/16"	B-0199-04 Aerator	2.2 GPM	Single lever	N	Pop-up drain assembly (B-0898)
B-2710-LH	Ceramic	6-15/16"	2-1/4"	4-5/16"	B-0199-04 Aerator	2.2 GPM	5" long single lever	N	Includes 5" long handle and pop-up drain assembly
B-2710-VF05	Ceramic	4-7/8"	2-1/4"	4-5/16"	B-0199-09-N05 VR Spray device	0.5 GPM	Single lever	Y	Includes VR key; pop-up drain assembly
B-2710-VF22	Ceramic	4-7/8"	2-1/4"	4-5/16"	B-0199-09 VR Aerator	2.2 GPM	Single lever	Y	Includes VR key; pop-up drain assembly
B-2710-WS	Ceramic	4-7/8"	2-1/4"	4-5/16"	B-0199-04-WS WaterSense Aerator	1.5 GPM	Single lever	N	Pop-up drain assembly (B-0898)
B-2711	Ceramic	4-7/8"	2-1/4"	4-5/16"	B-0199-04 Aerator	2.2 GPM	Single lever	N	No pop-up drain assembly
B-2711-FL	Ceramic	4-7/8"	2-1/4"	4-5/16"	B-0199-04 Aerator	2.2 GPM	Single lever	N	Includes two (2) 18" (457 mm) long flex S/S supply hoses with 3/8" compression fittings; no pop-up drain assembly
B-2711-LF15	Ceramic	4-7/8"	2-1/4"	4-5/16"	B-0199-09-LF15 VR Laminar Flow	1.5 GPM	Single lever	Y	Includes VR key; no pop-up drain assembly
B-2711-LH	Ceramic	6-15/16"	2-1/4"	4-5/16"	B-0199-04 Aerator	2.2 GPM	5" long single lever	N	Includes 5" long handle; no pop-up drain assembly
B-2711-VF05	Ceramic	4-7/8"	2-1/4"	4-5/16"	B-0199-09-N05 VR Spray device	0.5 GPM	Single lever	Y	Includes VR key; no pop-up drain assembly
B-2711-VF22	Ceramic	4-7/8"	2-1/4"	4-5/16"	B-0199-09 VR Aerator	2.2 GPM	Single lever	Y	Includes VR key; no pop-up drain assembly
B-2711-WS	Ceramic	4-7/8"	2-1/4"	4-5/16"	B-0199-04-WS WaterSense Aerator	1.5 GPM	Single lever	N	No pop-up drain assembly

VR Vandal-resistant

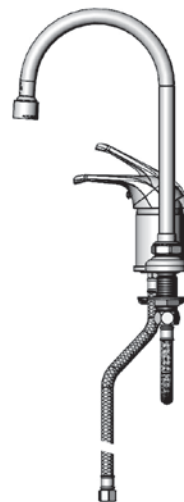
B-2741 Single Lever Faucet

- Single lever side-mount base faucet
- Remote "On-Off" control base (B-2740)
- 5-9/16" rigid gooseneck assembly with 2.2 GPM vandal-resistant aerator (B-0199-07)
- Two (2) 16" (406 mm) long flexible supply hoses with 3/8" compression fittings
- Furnished with vandal-resistant key



B-2742 Single Lever Faucet

- Single lever side-mount base faucet
- Remote "On-Off" control base
- 5-3/4" swivel gooseneck assembly with 2.2 GPM vandal-resistant aerator (B-0199-06)
- Two (2) 16" (406 mm) long flexible supply hoses with 3/8" compression fittings
- Furnished with vandal-resistant key



- B-2742-A22** Same as B-2742 except with 2.2 GPM aerator (133X-AER)
- B-2742-LF05** Same as B-2742 except with non-aerated spray device (0.5 GPM)
- B-2742-LH** Same as B-2742 except with 5" (127 mm) long handle (013429-45)

Single Lever Faucets



All models have: • Temperature limit stops • Ceramic Cartridge with 2-year warranty

B-2730 Single Lever Mixing Faucet

- Single lever deck-mount faucet
- 9" (229 mm) swivel spout
- Sidespray with 4 ft. hose and hose guide
- 2.2 GPM aerator (B-0199-04)
- 3-1/2" (89 mm) long handle
- (2) 16" long flexible supply hoses with 3/8" compression fittings
- 10" (254 mm) chrome plated deckplate
- Includes center mount installation kit
- Color coded index
- Ceramic cartridge with adjustable temperature limit stop

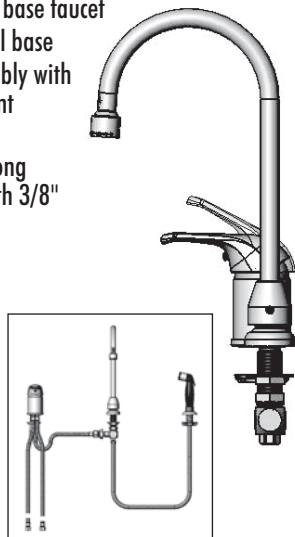


MODEL	CARTRIDGE	HEIGHT	CLEARANCE	SPREAD	OUTLET	GPM	HANDLE	VR	NOTES
B-2730	Ceramic	7-15/16"	6-13/16"	9-3/16"	B-0199-04 Aerator	2.2 GPM	Single lever	N	Includes sidespray
B-2730-07	Ceramic	7-15/16"	6-13/16"	9-3/16"	B-0199-04 Aerator	2.2 GPM	Single lever	N	7' (2134 mm) hose on sidespray
B-2730-LH	Ceramic	7-15/16"	6-13/16"	9-3/16"	B-0199-04 Aerator	2.2 GPM	5" Long single lever	N	5" (127 mm) long handle and sidespray
B-2730-WS	Ceramic	7-15/16"	6-13/16"	9-3/16"	B-0199-04-WS WaterSense aerator	1.5 GPM	Single lever	N	Includes sidespray
B-2731	Ceramic	7-15/16"	6-13/16"	9-3/16"	B-0199-04 Aerator	2.2 GPM	Single lever	N	No sidespray
B-2731-LF15	Ceramic	7-15/16"	6-13/16"	9-3/16"	B-0199-09-LF15 VR laminar flow	1.5 GPM	Single lever	Y	No sidespray
B-2731-LH	Ceramic	7-15/16"	6-13/16"	9-3/16"	B-0199-04 Aerator	2.2 GPM	5" Long single lever	N	No sidespray
B-2731-VF05	Ceramic	7-15/16"	6-13/16"	9-3/16"	B-0199-09-N05 VR non-aerated spray	0.5 GPM	Single lever	Y	No sidespray
B-2731-WS	Ceramic	7-15/16"	6-13/16"	9-3/16"	B-0199-04-WS WaterSense aerator	1.5 GPM	Single lever	N	No sidespray

VR Vandal-resistant

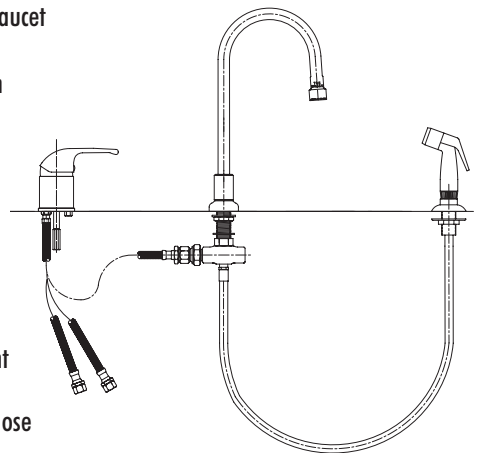
B-2743 Single Lever Faucet

- Single lever side-mount base faucet
- Remote "On-Off" control base
- Swivel gooseneck assembly with 2.2 GPM vandal-resistant aerator (B-0199-06)
- Two (2) 16" (406 mm) long flexible supply hoses with 3/8" compression fittings
- Integral diverter for water flow through sidespray or gooseneck
- Furnished with vandal-resistant key
- Sidespray with 4 ft. hose and hose guide



B-2744 Single Lever Faucet

- Single lever side-mount base faucet
- Remote "On-Off" control base
- Rigid gooseneck assembly with 2.2 GPM vandal-resistant aerator (B-0199-06)
- Two (2) 16" (406 mm) long flexible supply hoses with 3/8" compression fittings
- Integral diverter for water flow through sidespray or gooseneck
- Furnished with vandal-resistant key
- Sidespray with 4 ft. hose and hose guide



Single Lever Faucets



All models have:

- Temperature limit stops

- Ceramic Cartridge with 2-year warranty

B-2701 Single Lever Faucet

- Single hole, single lever deck-mount faucet
- Ceramic cartridge with adjustable temperature limit stop
- 2.2 GPM aerator (B-0199-04)
- 16" (407 mm) flexible stainless steel supply hoses with 3/8" compression fittings



B-2701-VR Same as B-2701 except with vandal-resistant aerator (B-0199-09)

B-2701-VF05 Same as B-2701 except with 0.5 GPM vandal-resistant non-aerated spray device (B-0199-09-N05)

B-2703 Single Lever Faucet

- Single hole, single lever deck-mount faucet
- Ceramic cartridge with adjustable temperature limit stop
- 2.2 GPM aerator (B-0199-04)
- 16" (407 mm) long flexible stainless steel supply hoses with 3/8" compression fittings
- 6" forged deck plate (4" C/C)

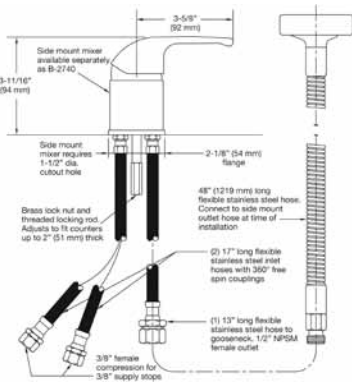


B-2703-LF15 Same as B-2703 except with 1.5 GPM laminar flow device (B-0199-09-LF15)

B-2703-VF05 Same as B-2703 except with 0.5 GPM vandal-resistant non-aerated spray device (B-0199-09-N05)

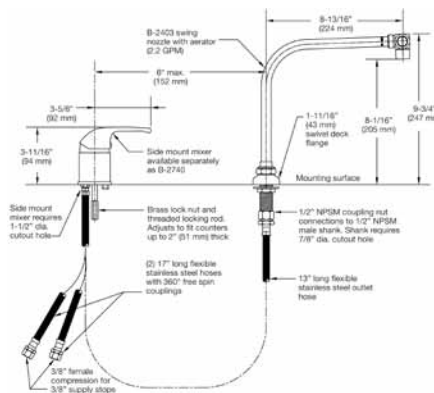
B-2745 Side-Mount Faucet

- Remote side-mount single lever base faucet
- B-1000 48" flexible stainless steel hose and spray assembly



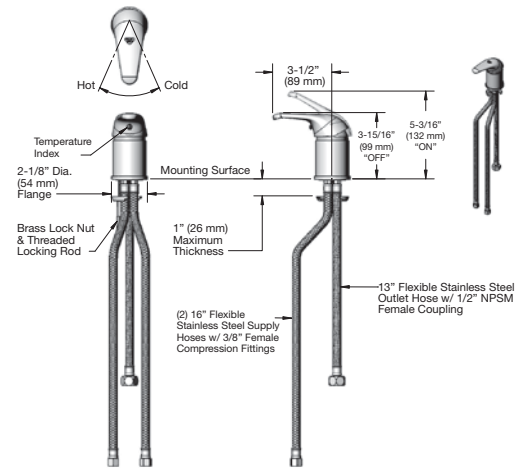
B-2746 Side-Mount Faucet

- Remote side-mount single lever base faucet
- 16" (407 mm) long flexible stainless steel supply hoses with 3/8" compression fittings
- B-2403 high rise swivel gooseneck with 2.2 GPM aerator (B-0199-01)



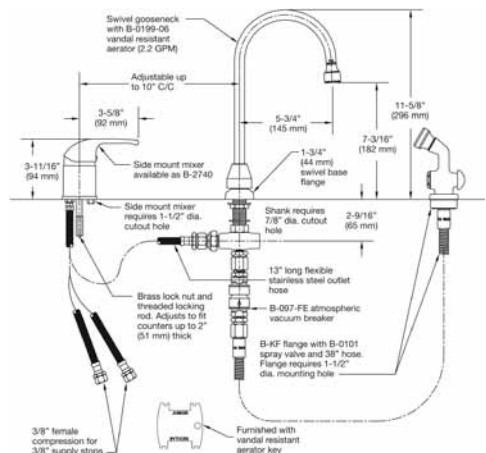
B-2740 Side-Mount Faucet

- Side-mount faucet with remote on/off control base
- Ceramic cartridge with adjustable temperature limit stop
- 16" (407 mm) long flexible stainless steel supply hoses with 3/8" compression fittings



B-2749 Side-Mount Faucet with Remote Control Base

- Remote side-mount single lever base faucet
- 16" (407 mm) long flexible stainless steel supply hoses with 3/8" compression fittings
- Ceramic cartridge with adjustable temperature limit stop
- 5-3/4" swivel gooseneck with 2.2 GPM vandal-resistant aerator (B-0199-06)
- Under the counter vacuum breaker (B-0970-FE) on hose
- Countertop mounted spray valve (B-0101) with 38" stainless steel hose (under the counter)





EasyInstall Lavatory Faucets with Rigid Gooseneck

All models: **NEW DESIGN** has EasyInstall pre-assembled faucet body for Concealed Widespread Faucets

- Easy installation
- EasyInstall Eterna cartridges with Teflon washers

B-2850 Lavatory Faucet

EasyInstall

- 8" (203 mm) deck-mount EasyInstall concealed widespread faucet
- 5-1/2" (140 mm) rigid gooseneck (120X)
- Lever handles with color coded indexes
- Stream regulator outlet-Series 2 (B-LT)
- EasyInstall Eterna cartridges with Teflon washers
- 5-3/4" (146 mm) clearance from deck to tip of outlet
- 1/2" NPSM male inlets with coupling nuts



PATENTED DESIGN PATENT NUMBER 7,472,434

MODEL	CARTRIDGE	GOOSENECK	HEIGHT	CLEARANCE	SPREAD	OUTLET	GPM	HANDLE	VR	NOTES
B-2850	EasyInstall Eterna	Rigid (120X)	10-11/16"	5-11/16"	5-1/2"	B-LT Stream Regulator	—	Lever	N	
B-2850-01	EasyInstall Eterna	Rigid	10-11/16"	5-3/16"	5-9/16"	B-0199-21 Laminar flow device	1.6 GPM	4" Wrist Action	N	Rigid deck flange w/1.6 GPM flow control
B-2850-F05	EasyInstall Eterna	Rigid	10-11/16"	5-3/16"	5-9/16"	B-0199-02-N05 non-aerated spray device	0.5 GPM	Lever	N	
B-2850-WH4	EasyInstall Eterna	Rigid (120X)	10-11/16"	5-11/16"	5-1/2"	B-LT Stream Regulator	—	4" Wrist Action	N	
B-2850-WS	EasyInstall Eterna	Rigid	10-11/16"	5-3/16"	5-9/16"	B-0199-02-WS WaterSense aerator	1.5 GPM	Lever	N	
Related Models / NOT EASYINSTALL:										
B-0850	Eterna	Rigid (120X)	10-11/16"	5-11/16"	5-1/2"	B-LT Stream Regulator	—	Lever	N	Valves adjustable for angle install.
B-2850-L	Eterna	Rigid (120X)	10-11/16"	5-11/16"	5-1/2"	B-LT Stream Regulator	—	Lever	N	12" max. adj. faucet centers

VR Vandal-resistant

B-2865-04 Lavatory Faucet

EasyInstall

- 8" (203 mm) deck-mount EasyInstall concealed widespread faucet
- 5-9/16" (141 mm) rigid gooseneck
- Rosespray outlet (B-0103)
- 4" (102 mm) wrist action handles (B-WH4) with color coded indexes
- EasyInstall Eterna cartridges with Teflon washers
- 5" (126 mm) clearance from deck to face of spray
- 1/2" NPSM male inlets with coupling nuts



PATENTED DESIGN PATENT NUMBER 7,472,434

MODEL	CARTRIDGE	GOOSENECK	HEIGHT	CLEARANCE	SPREAD	OUTLET	GPM	HANDLE	VR	NOTES
B-2865	EasyInstall Eterna	Rigid	10-11/16"	5"	5-9/16"	B-0103 Rosespray	—	6" Wrist Action	N	
B-2865-04	EasyInstall Eterna	Rigid	10-11/16"	5"	5-9/16"	B-0103 Rosespray	—	4" Wrist Action	N	
B-2865-04-122X	EasyInstall Eterna	Rigid (122X)	11-7/8"	6-7/8"	5-1/2"	B-LT Stream regulator outlet	—	4" Wrist Action	N	
B-2865-LF05	EasyInstall Eterna	Rigid (120X)	10-11/16"	5-5/8"	5-1/2"	B-LT Stream regulator outlet	0.5 GPM	4" Wrist Action	N	Rigid deck flange with 0.5 GPM flow control tower

VR Vandal-resistant

EasyInstall Lavatory Faucets with Rigid Gooseneck



All models: **NEW DESIGN** has EasyInstall pre-assembled faucet body for Concealed Widespread Faucets

- Easy installation
- EasyInstall Eterna cartridges with Teflon washers

B-2867-04 Lavatory Faucet

EasyInstall

- 8" (203 mm) deck-mount EasyInstall concealed widespread faucet
- 5-9/16" (141 mm) rigid gooseneck (120X)
- 2.2 GPM aerator-Series 2 (B-0199-02)
- 4" (102 mm) wrist action handles (B-WH4) with color coded indexes
- EasyInstall Eterna cartridges with Teflon washers
- 5-1/8" (130 mm) clearance from deck to face of spray
- 1/2" NPSM male inlets with coupling nuts



**PATENTED
DESIGN
PATENT
NUMBER
7,472,434**



MODEL	CARTRIDGE	GOOSENECK	HEIGHT	CLEARANCE	SPREAD	OUTLET	GPM	HANDLE	VR	NOTES
B-2867	EasyInstall Eterna	Rigid	10-11/16"	5-1/8"	5-9/16"	B-0199-02 aerator	2.2 GPM	6" Wrist Action (B-WH6)	N	
B-2867-04	EasyInstall Eterna	Rigid	10-11/16"	5-1/8"	5-9/16"	B-0199-02 aerator	2.2 GPM	4" Wrist Action (B-WH4)	N	
B-2867-04-F05	EasyInstall Eterna	Rigid	10-11/16"	5-1/8"	5-9/16"	B-0199-02-N05 non-aerated spray device	0.5 GPM	4" Wrist Action (B-WH4)	N	
B-2867-04-LF15	EasyInstall Eterna	Rigid	10-11/16"	5-3/16"	5-9/16"	B-0199-29 Laminar flow device	1.5 GPM	4" Wrist Action (B-WH4)	N	
B-2867-04-VF05	EasyInstall Eterna	Rigid	10-11/16"	5-3/16"	5-9/16"	B-0199-07-N05 VR non-aerated spray device	0.5 GPM	4" Wrist Action (B-WH4)	Y	
B-2867-04-WS	EasyInstall Eterna	Rigid	10-11/16"	5-3/16"	5-9/16"	B-0199-02-WS WaterSense aerator	1.5 GPM	4" Wrist Action (B-WH4)	N	
B-2867-04FC	EasyInstall Eterna	Rigid (120XP)	9-7/8"	5-1/16"	5-1/2"	Plain end gooseneck	1.6 GPM	4" Wrist Action (B-WH4)	N	Rigid deck flange w/ 1.6 GPM flow control
B-2867-04VRS	EasyInstall Eterna	Rigid	10-11/16"	5-3/16"	5-9/16"	B-0199-067 VR Aerator	2.2 GPM	4" Wrist Action (B-WH4)	Y	VR handle screws (VRS-2)

VR Vandal-resistant

B-2868-04 Lavatory Faucet with Pop-Up Valve

EasyInstall

- 8" (203 mm) deck-mount EasyInstall concealed widespread faucet
- 5-1/2" (140 mm) rigid gooseneck
- Rosespray outlet (B-0103)
- 5-9/16" (141 mm) clearance from deck to face of spray
- 4" (102 mm) wrist action handles (B-WH4) with color coded indexes
- EasyInstall Eterna cartridges with Teflon washers
- 1/2" NPSM male inlets with coupling nuts
- Pop-up drain assembly (B-0898)



**PATENTED
DESIGN
PATENT
NUMBER
7,472,434**

B-2869-04 Same as B-2868-04 except with 2.2 GPM aerator outlet (B-0199-02)

EasyInstall Lavatory Faucets with Swivel Gooseneck



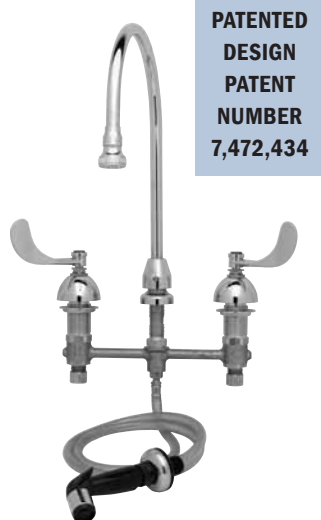
All models: **NEW DESIGN** has EasyInstall pre-assembled faucet body for Concealed Widespread Faucets

- EasyInstall Eterna cartridges with Teflon washers

B-2347 Lavatory Faucet with Swivel Gooseneck

Easy Install

- 8" (203 mm) deck-mount EasyInstall concealed widespread faucet
- 8-13/16" (224 mm) swivel gooseneck
- Rosespray outlet (B-0103)
- 6-5/16" (160 mm) clearance from deck to face of spray
- Sidespray with automatic diverter, 4' flexible reinforced hose and hose guide
- EasyInstall Eterna cartridges with Teflon washers
- 4" (102 mm) wrist action handles (B-WH4) with color coded indexes
- 1/2" NPSM male inlets with coupling nuts



PATENTED DESIGN PATENT NUMBER 7,472,434

B-2347-05-LVR Same as B-2347 except with lever handles and 2.2 GPM aerator

B-2386 Lavatory Faucet with Swivel Gooseneck

Easy Install

- 8" (203 mm) deck-mount EasyInstall concealed widespread faucet
- 5-1/2" (140 mm) swivel gooseneck
- 2.2 GPM aerator-Series 1 (B-0199-01)
- EasyInstall Eterna cartridges with Teflon washers
- 9-3/4" (248 mm) clearance from deck to outlet
- Lever handles with color coded indexes
- 1/2" NPSM male inlets with coupling nuts

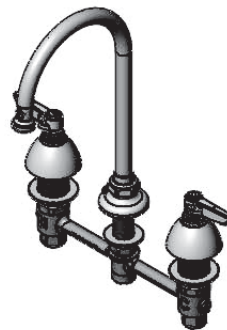


PATENTED DESIGN PATENT NUMBER 7,472,434

B-2851 Lavatory Faucet

Easy Install

- 8" (203 mm) deck-mount EasyInstall concealed widespread faucet
- 5-11/16" (145 mm) swivel gooseneck (133X)
- Lever handles with color coded indexes
- Stream regulator outlet-Series 2 (B-PT)
- EasyInstall Eterna cartridges with Teflon washers
- 6-5/8" (169 mm) clearance from deck to tip of outlet
- 1/2" NPSM male inlets with coupling nuts



PATENTED DESIGN PATENT NUMBER 7,472,434

MODEL	CARTRIDGE	GOOSENECK	HEIGHT	CLEARANCE	SPREAD	OUTLET	GPM	HANDLE	VR	NOTES
B-2851	EasyInstall Eterna	Swivel (133X)	10-11/16"	6-5/8"	5-11/16"	B-PT Stream Regulator	—	Lever	N	
B-2851-133X-VR	EasyInstall Eterna	Swivel (133X-LAM-VR)	10-11/16"	6-1/8"	5-3/4"	B-0199-21-VRF VR laminar flow device	2.2 GPM	Lever	Y	VR handle screws (B-VRS)
B-2852	EasyInstall Eterna	Swivel	12-3/8"	5-3/8"	8-13/16"	B-0199-02 aerator	2.2 GPM	Lever	N	
Related Model / NOT EASYINSTALL:										
B-2851-L	Eterna	Swivel (133X)	10-11/16"	6-9/16"	5-11/16"	B-LT Stream Regulator	—	Lever	N	12" max. adj. faucet centers

VR Vandal-resistant



EasyInstall Lavatory Faucets with Swivel Gooseneck

All models: **NEW DESIGN** has EasyInstall pre-assembled faucet body for Concealed Widespread Faucets

- Easy installation • EasyInstall Eterna cartridges with Teflon washers • Lock washer for rigid conversion included

B-2866-04 Lavatory Faucet

EasyInstall



**PATENTED
DESIGN
PATENT
NUMBER
7,472,434**

- 8" (203 mm) deck-mount EasyInstall concealed widespread faucet
- 5-3/4" (146 mm) swivel gooseneck
- Includes lock washer for rigid conversion (014200-45)
- Rosespray outlet (B-0103-01)
- 5-7/8" (149 mm) clearance from deck to face of spray
- 4" (102 mm) wrist action handles (B-WH4) with color coded indexes
- EasyInstall Eterna cartridges with Teflon washers
- 1/2" NPSM male inlets with coupling nuts

MODEL	CARTRIDGE	GOOSENECK	HEIGHT	CLEARANCE	SPREAD	OUTLET	GPM	HANDLE	VR	NOTES
B-2862	EasyInstall Eterna	Swivel	12-3/8"	5-3/8"	8-13/16"	B-0199-02 aerator	2.2 GPM	4" Wrist Action (B-WH4)	N	
B-2862-WS	EasyInstall Eterna	Swivel	12-3/8"	5-3/8"	8-13/16"	B-0199-01-WS WaterSense aerator	1.5 GPM	4" Wrist Action (B-WH4)	N	WaterSense aerator
B-2866	EasyInstall Eterna	Swivel	10-11/16"	6"	5-3/4"	B-0103-01 Rosespray	—	6" Wrist Action (B-WH6)	N	
B-2866-01QT-VRF	EasyInstall Eterna (Quarter-Turn)	Swivel	12-1/2"	6-5/16"	8-3/4"	B-0199-21-VRF VR Laminar flow device	2.2 GPM	4" Wrist Action (B-WH4)	Y	8" inlet centers
B-2866-04	EasyInstall Eterna	Swivel	10-11/16"	6"	5-3/4"	B-0103 Rosespray	—	4" Wrist Action (B-WH4)	N	
B-2866-04-01QT	EasyInstall Eterna (Quarter-Turn)	Swivel	9-9/16"	5-15/16"	4-5/16"	B-0199-01 aerator	2.2 GPM	4" Wrist Action (B-WH4)	N	
B-2866-04-QT	EasyInstall Eterna (Quarter-Turn)	Swivel	10-11/16"	6"	5-3/4"	B-0103-01 Rosespray	—	4" Wrist Action (B-WH4)	N	8" inlet centers
B-2866-04VRS	EasyInstall Eterna	Swivel	12-3/8"	5-1/2"	8-13/16"	B-0199-07 VR aerator	2.2 GPM	4" Wrist Action (B-WH4)	Y	VR handle screws (VRS-2)
B-2866-F05	EasyInstall Eterna	Swivel	10-11/16"	6-3/16"	5-3/4"	B-0199-01-N05 non-aerated spray device	0.5 GPM	6" Wrist Action (B-WH6)	N	
B-2866-LF12-CR4	EasyInstall Cerama	Swivel	11-11/16"	7-9/16"	5-11/16"	B-PT stream regulator	1.2 GPM	4" Wrist Action (B-WH4)	N	Swivel deck flange with 1.2 GPM flow control
B-2866-QT-21VR	EasyInstall Eterna (Quarter-turn)	Swivel	10-11/16"	6-3/16"	5-3/4"	B-0199-21-VRF Laminar flow device	2.2 GPM	4" Wrist Action (B-WH4)	Y	VR handle screws (B-VRS)
B-2866-QT-VF05	EasyInstall Eterna (Quarter-turn)	Swivel	10-11/16"	6-3/16"	5-3/4"	B-0199-06-N05 VR non-aerated spray device	0.5 GPM	4" Wrist Action (B-WH4)	Y	
B-2866-QT-VF05G	EasyInstall Eterna (Quarter-turn)	Swivel	10-11/16"	6-3/16"	5-3/4"	B-0199-06-N05 VR non-aerated spray device	0.5 GPM	4" Wrist Action (B-WH4)	Y	Includes gaskets for escutcheon & deck flange
B-2866-VF05	EasyInstall Eterna	Swivel	10-11/16"	6-3/16"	5-3/4"	B-0199-06-N05 VR non-aerated spray device	0.5 GPM	6" Wrist Action (B-WH6)	Y	



EasyInstall Lavatory Faucets with Swivel Gooseneck

All models: **NEW DESIGN** has EasyInstall pre-assembled faucet body for Concealed Widespread Faucets
 • Easy installation • EasyInstall Eterna cartridges with Teflon washers • Lock washer for rigid conversion included

B-2866-05 Lavatory Faucet

EasyInstall

**PATENTED
DESIGN
PATENT
NUMBER
7,472,434**



- 8" (203 mm) deck-mount EasyInstall concealed widespread faucet
- 5-3/4" (146 mm) swivel gooseneck (133X-AER)
- Includes lock washer for rigid conversion (014200-45)
- 2.2 GPM aerator-Series 1 (B-0199-01)
- 6-1/4" (159 mm) clearance from deck to face of spray
- 4" (102 mm) wrist action handles (B-WH4) with color coded indexes
- EasyInstall Eterna cartridges with Teflon washers
- 1/2" NPSM male inlets with coupling nuts

MODEL	CARTRIDGE	GOOSENECK	HEIGHT	CLEARANCE	SPREAD	OUTLET	GPM	HANDLE	VR	NOTES
B-2866-01	EasyInstall Eterna	Swivel (135X)	12-3/8"	5-15/16"	8-3/4"	B-LT stream regulator	—	4" Wrist Action (B-WH4)	N	
B-2866-01QT-VRF	EasyInstall Eterna (Quarter-Turn)	Swivel	12-1/2"	6-5/16"	8-3/4"	B-0199-21-VRF VR laminar flow device	2.2 GPM	4" Wrist Action (B-WH4)	Y	
B-2866-05	EasyInstall Eterna	Swivel (133X-AER)	10-11/16"	6-3/16"	5-3/4"	B-0199-01 aerator	2.2 GPM	4" Wrist Action (B-WH4)	N	
B-2866-05-LF08	EasyInstall Eterna	Swivel (133X)	10-11/16"	6-5/8"	5-3/4"	B-PT Stream regulator	1.6 GPM	4" Wrist Action (B-WH4)	N	Rigid deck flange with 1.6 GPM flow control tower
B-2866-05-LF15	EasyInstall Eterna	Swivel	10-11/16"	6-3/16"	5-3/4"	B-0199-29 Laminar flow device	1.5 GPM	4" Wrist Action (B-WH4)	N	
B-2866-05-LT	EasyInstall Eterna	Swivel	10-11/16"	5-15/16"	5-3/4"	B-LT Stream regulator outlet	—	4" Wrist Action (B-WH4)	N	
B-2866-05-QT	EasyInstall Eterna (Quarter-turn)	Swivel	10-11/16"	6-3/16"	5-3/4"	B-0199-01 aerator	2.2 GPM	4" Wrist Action (B-WH4)	N	
B-2866-05-VF05	EasyInstall Eterna	Swivel	10-11/16"	6-3/16"	5-3/4"	B-0199-06-N05 VR non-aerated spray device	0.5 GPM	4" Wrist Action (B-WH4)	Y	
B-2866-05-VF22	EasyInstall Eterna	Swivel	10-11/16"	6-3/16"	5-3/4"	B-0199-06 VR aerator	2.2 GPM	4" Wrist Action (B-WH4)	Y	
B-2866-05VRS	EasyInstall Eterna	Swivel	11"	6-7/16"	5-3/4"	B-0199-06 VR aerator	2.2 GPM	4" Wrist Action (B-WH4)	Y	
B-2866-05-WS	EasyInstall Eterna	Swivel	10-11/16"	6-3/16"	5-3/4"	B-0199-01-WS WaterSense aerator	1.5 GPM	4" Wrist Action (B-WH4)	N	
B-2866-05CR	EasyInstall Cerama	Swivel (133X)	10-11/16"	6-5/8"	5-11/16"	B-PT Stream regulator	—	4" Wrist Action (B-WH4)	N	
B-2866-05FC	EasyInstall Eterna	Swivel (133XP)	10-11/16"	6-5/8"	5-11/16"	Plain end spout	1.6 GPM	4" Wrist Action (B-WH4)	N	Swivel deck flange with 1.6 GPM flow control tower
B-2866-05FC-CR	EasyInstall Cerama	Swivel (133XP)	10-11/16"	6-5/8"	5-11/16"	Plain end spout	1.6 GPM	4" Wrist Action (B-WH4)	N	Swivel deck flange with 1.6 GPM flow control tower

VR Vandal-resistant

B-2666-05 chart cont. next page

EasyInstall Lavatory Faucets with Swivel Gooseneck



All models: **NEW DESIGN** has EasyInstall pre-assembled faucet body for Concealed Widespread Faucets
 • Easy installation • EasyInstall Eterna cartridges with Teflon washers • Lock washer for rigid conversion included

B-2866-05 Lavatory Faucet

EasyInstall



**PATENTED
DESIGN
PATENT
NUMBER
7,472,434**

B-2666-05 chart continued from p. D11

MODEL	CARTRIDGE	GOOSENECK	HEIGHT	CLEARANCE	SPREAD	OUTLET	GPM	HANDLE	VR	NOTES
B-2866-05FC-PV	EasyInstall Eterna	Swivel (133XP)	10-11/16"	6-5/8"	5-11/16"	Plain end spout	1.6 GPM	4" Wrist Action (B-WH4)	N	Pedal valve connection; swivel deck flange w/ 1.6 GPM flow control tower
B-2866-05FC-QT	EasyInstall Eterna (Quarter-turn)	Swivel (133XP)	10-11/16"	6-5/8"	5-11/16"	Plain end spout	1.6 GPM	4" Wrist Action (B-WH4)	N	Swivel deck flange with 1.6 GPM flow control tower
B-2866-05QT-VRS	EasyInstall Eterna (Quarter-turn)	Swivel	10-11/16"	6-3/16"	5-3/4"	B-0199-06 VR aerator	2.2 GPM	4" Wrist Action (B-WH4)	Y	VR handle screws (B-VRS)
B-2866-05QT-WS	EasyInstall Eterna (Quarter-turn)	Swivel	10-11/16"	6-3/16"	5-3/4"	B-0199-01-WS WaterSense aerator	1.5 GPM	4" Wrist Action (B-WH4)	N	

VR Vandal-resistant

B-2853-RSW-061X Lavatory Faucet

EasyInstall

- 8" (203 mm) deck-mount EasyInstall concealed widespread faucet
- 10" (254 mm) 100° max. restricted swing nozzle
- 0.5 GPM vandal resistant flow control aerator (B-0199-06F-05)
- EasyInstall Eterna cartridges with Teflon washers
- Lever handles with color coded indexes
- 4-1/4" (108 mm) clearance from deck to tip of outlet
- 1/2" NPSM male inlets with coupling nuts



B-2859 Lavatory Faucet

EasyInstall

- 8" (203 mm) deck-mount EasyInstall concealed widespread faucet
- 90° swivel gooseneck (B-2387) with 2.2 GPM aerator (B-0199-01)
- EasyInstall Eterna cartridges with Teflon washers
- 4" wrist action handles (B-WH4) with color coded indexes
- 8-9/16" (218 mm) clearance from deck to face of aerator
- 1/2" NPSM male inlets with coupling nuts



Looking for Nozzles, Aerators, Goosenecks and Handles?
 See Our **NEW Accessories** section in the G-11



EasyInstall Concealed Widespread Lavatory Faucets

All models: **NEW DESIGN** has EasyInstall pre-assembled faucet body for Concealed Widespread Faucets

- Easy installation
- EasyInstall Eterna cartridges with Teflon washers
- Lock washer for rigid conversion included

B-2855 Lavatory Faucet

Easy Install

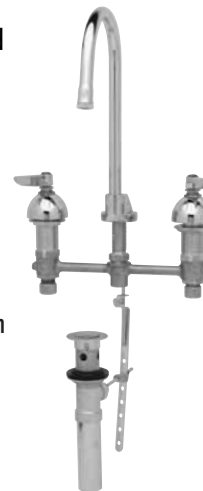
- 8" (203 mm) deck-mount EasyInstall concealed widespread faucet
- 9" (229 mm) swing nozzle (166X)
- Stream regulator outlet (B-PT)
- Includes lock washers for swivel to rigid conversion (014200-45)
- EasyInstall Eterna cartridges with Teflon washers
- Lever handles with color coded indexes
- 6-1/4" (159 mm) clearance from deck to tip of outlet
- 1/2" NPSM male inlets with coupling nuts



B-2885 Lavatory Faucet

Easy Install

- 8" (203 mm) deck-mount EasyInstall concealed widespread faucet
- 5-1/2" (140 mm) spread rigid gooseneck (120X)
- Stream regulator outlet (B-LT)
- EasyInstall Eterna cartridges with Teflon washers
- Lever handles with color coded indexes
- 6-3/16" (157 mm) clearance from deck to tip of outlet
- Pop-up drain assembly (B-0898)
- 1/2" NPSM male inlets with coupling nuts



PATENTED DESIGN PATENT NUMBER 7,472,434

NOTE: See chart below:

MODEL	CARTRIDGE	GOOSENECK	HEIGHT	CLEARANCE	SPREAD	OUTLET	GPM	HANDLE	VR
B-2855	EasyInstall Eterna	9" Swing Nozzle (166X)	8-13/16"	6-1/4"	9"	B-PT Stream regulator	—	Lever	N
B-2855-01	EasyInstall Eterna	9" Swing Nozzle (166X)	8-13/16"	5-7/8"	9"	B-0199-29 Laminar flow device	1.5 GPM	Lever	N
B-2855-WS	EasyInstall Eterna	9" Swing Nozzle (166X)	8-13/16"	5-13/16"	9"	B-0199-01-WS WaterSense aerator	1.5 GPM	Lever	N
B-2955	EasyInstall Eterna	9" Swing Nozzle (166X)	8-13/16"	6-1/4"	9"	B-PT Stream regulator	—	Dome (3-wing)	N

VR Vandal-resistant



EasyInstall Concealed Widespread Lavatory Faucets

All models: **NEW DESIGN** has EasyInstall pre-assembled faucet body for Concealed Widespread Faucets
 • Easy installation • EasyInstall Eterna cartridges with Teflon washers • 1/2" NPSM male inlets with coupling nuts

B-2990 Lavatory Faucet

EasyInstall

- 8" (203 mm) deck-mount EasyInstall concealed widespread faucet
- 5-1/4" (133 mm) cast basin spout
- 2.2 GPM aerator-Series 3 (B-0199-03)
- EasyInstall Eterna cartridges with Teflon washers
- Lever handles with color coded indexes
- 2" (51 mm) clearance from deck to aerator
- 1/2" NPSM male inlets with coupling nuts



MODEL	CARTRIDGE	HEIGHT	CLEARANCE	SPREAD	OUTLET	GPM	HANDLE	VR	NOTES
B-2990	EasyInstall Eterna	3-1/16"	2"	5-1/4"	B-0199-03 aerator	2.2 GPM	Lever	N	
B-2990-175F	EasyInstall Eterna	3-1/16"	2"	5-1/4"	B-0199-03 aerator	2.2 GPM	Four-arm	N	
B-2990-180F	EasyInstall Eterna	3-1/16"	2"	5-1/4"	B-0199-03 aerator	2.2 GPM	Dome (3-wing)	N	
B-2990-F05	EasyInstall Eterna	3-1/16"	2"	5-1/4"	B-0199-03-N05 non-aerated spray device	0.5 GPM	Lever	N	
B-2990-P	EasyInstall Eterna	3-1/16"	2"	5-1/4"	B-0199-03 aerator	2.2 GPM	Lever	N	Includes pop-up drain assembly (B-0898)
B-2990-PWH4	EasyInstall Eterna	4-1/2"	2"	5-1/4"	B-0199-03 aerator	2.2 GPM	4" Wrist Action	N	Includes pop-up drain assembly (B-0898)
B-2990-VF05	EasyInstall Eterna	3-1/16"	2"	5-1/4"	B-0199-08-N05 VR non-aerated spray device	0.5 GPM	Lever	Y	
B-2990-WH4	EasyInstall Eterna	4-1/2"	2"	5-1/4"	B-0199-03 aerator	2.2 GPM	4" Wrist Action	N	
B-2990-WH4-QT	EasyInstall Eterna (Quarter-turn)	4-1/2"	2"	5-1/4"	B-0199-03 aerator	2.2 GPM	4" Wrist Action	N	
B-2990-WH4-WS	EasyInstall Eterna	4-1/2"	2"	5-1/4"	B-0199-03-WS WaterSense aerator	1.5 GPM	4" Wrist Action	N	
B-2990-WS	EasyInstall Eterna	3-1/16"	2"	5-1/4"	B-0199-03-WS WaterSense aerator	1.5 GPM	Lever	N	
Related Model / NOT EASYINSTALL									
B-2990-FL	Eterna	3-1/16"	2"	5-1/4"	B-0199-03 aerator	2.2 GPM	Lever	N	Flexible supply lines; adjustable centers from 6" to 24"

VR Vandal-resistant



Lavatory Faucets with Adjustable Centers

All models have: • 1/2" NPT male inlets with coupling nuts • Valves adjustable for angle installation
• Eterna cartridges with Teflon washers (unless Cerama)

B-0865-04 Lavatory Faucet

Note: These faucets are not EasyInstall

- 8" (203 mm) deck-mount mixing faucet
- 5-9/16" (140 mm) rigid gooseneck with rosespray outlet (B-0103)
- Adjustable centers (see chart below)
- Eterna cartridges with Teflon washers
- 1/2" NPT male inlets with coupling nuts
- 5" (127 mm) clearance from deck to face of spray
- 4" (152 mm) wrist action handles (B-WH4) with color coded indexes



MODEL	CARTRIDGE	GOOSENECK	HEIGHT	CLEARANCE	SPREAD	OUTLET	GPM	HANDLE	VR	NOTES
B-0865	Eterna	Rigid	10-11/16"	5"	5-9/16"	B-0103 Rosespray	—	6" Wrist Action (B-WH6)	N	8" max. adjustable centers
B-0865-04	Eterna	Rigid	10-11/16"	5"	5-9/16"	B-0103 Rosespray	—	4" Wrist Action (B-WH4)	N	8" max. adjustable centers
B-0865-04L	Eterna	Rigid	10-11/16"	5"	5-9/16"	B-0103 Rosespray	—	4" Wrist Action (B-WH4)	N	12" max. adjustable centers
B-0866	Eterna	Swivel	10-9/16"	5-15/16"	5-3/4"	B-0103-01 Rosespray	—	6" Wrist Action (B-WH6)	N	8" max. adjustable centers
B-0866-04	Eterna	Swivel	10-9/16"	5-15/16"	5-3/4"	B-0103-01 Rosespray	—	4" Wrist Action (B-WH4)	N	8" max. adjustable centers
B-0866-04-CR	Cerama	Swivel	10-9/16"	5-15/16"	5-3/4"	B-0103-01 Rosespray	—	4" Wrist Action (B-WH4)	N	8" max. adjustable centers
B-0866-04L	Eterna	Swivel	10-9/16"	5-15/16"	5-3/4"	B-0103-01 Rosespray	—	4" Wrist Action (B-WH4)	N	12" max. adjustable centers
B-0866-04-LN	Eterna	—	—	—	—	—	—	4" Wrist Action (B-WH4)	N	8" max. adjustable centers
B-0866-L	Eterna	Swivel	10-9/16"	5-15/16"	5-3/4"	B-0103-01 Rosespray	—	6" Wrist Action (B-WH6)	N	12" max. adjustable centers
B-0867	Eterna	Rigid	10-11/16"	5-3/16"	5-1/2"	B-0199-02 aerator	2.2 GPM	6" Wrist Action (B-WH6)	N	8" max. adjustable centers
B-0867-04	Eterna	Rigid	10-11/16"	5-3/16"	5-1/2"	B-0199-02 aerator	2.2 GPM	4" Wrist Action (B-WH4)	N	8" max. adjustable centers
B-0867-04L	Eterna	Rigid	10-11/16"	5-3/16"	5-1/2"	B-0199-02 aerator	2.2 GPM	4" Wrist Action (B-WH4)	N	12" max. adjustable centers
B-0867-04-WS	Eterna	Rigid	10-11/16"	5-3/16"	5-1/2"	B-0199-02-WS WaterSense aerator	1.5 GPM	4" Wrist Action (B-WH4)	N	8" max. adjustable centers

VR Vandal-resistant

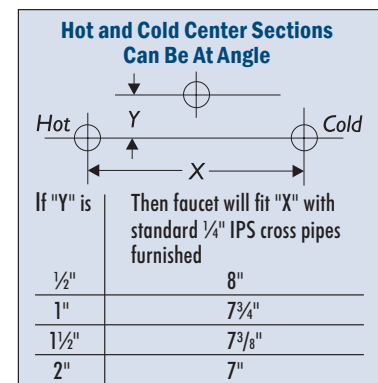
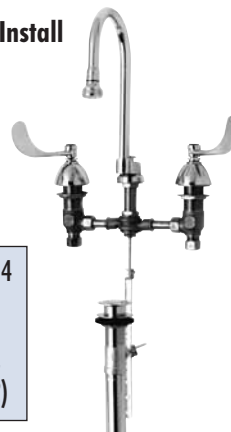
B-0868-04 Lavatory Faucet

Note: These faucets are not EasyInstall

- 8" (203 mm) deck-mount mixing faucet
- 5-9/16" (141 mm) rigid gooseneck with rosespray outlet (B-0103)
- 5-5/8" (143 mm) clearance from deck to face of spray
- Adjustable centers (see chart, right)
- Eterna cartridges with Teflon washers
- 1/2" NPT male inlets with coupling nuts
- 4" (152 mm) wrist action handles (B-WH4) with color coded indexes
- Pop-up drain (B-0898)

B-0868-04L Same as B-0868-04 except with 12" (305 mm) adjustable centers

B-0869-04 Same as B-0868-04 except with aerator (B-0199-02)





Lavatory Faucets with Adjustable Centers

All models have: • 1/2" NPT male inlets with coupling nuts • Valves adjustable for angle installation
• Eterna with Teflon washers (unless Cerama)

B-0866-PV Lavatory Faucet with PV Connection

- 8" (203 mm) deck-mount mixing faucet
- 5-3/4" (146 mm) swivel gooseneck with rosespray outlet (B-0103)
- Rigid conversion washer included
- Adjustable centers (see chart, right)
- 1/2" NPT male inlets with coupling nuts
- 5-15/16" (151 mm) clearance from deck to face of spray
- Eterna cartridges with Teflon washers
- 6" (152 mm) wrist action handles (B-WH6) with color coded indexes
- Pedal valve swivel yoke (B-PV)
- 1/2" NPT male inlets with coupling nuts

Note: These faucets are not EasyInstall



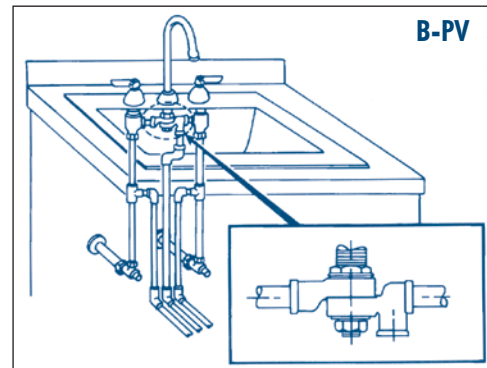
Hot and Cold Center Sections Can Be At Angle

If "Y" is	Then faucet will fit "X" with standard 1/4" IPS cross pipes furnished
1/2"	8"
1"	7 3/4"
1 1/2"	7 3/8"
2"	7"

B-0866-07-PV Same as B-0866-PV except with 2.2 GPM aerator (B-0199-01)

B-PV Pedal Valve Swivel Yoke

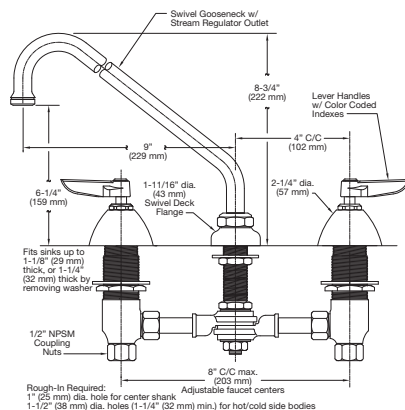
- For use with all B-0865 style faucets
- Allows faucet to be operated with either wrist action handles or foot pedal valve
- Pedal valve must be ordered separately



Note: The faucets below are not EasyInstall

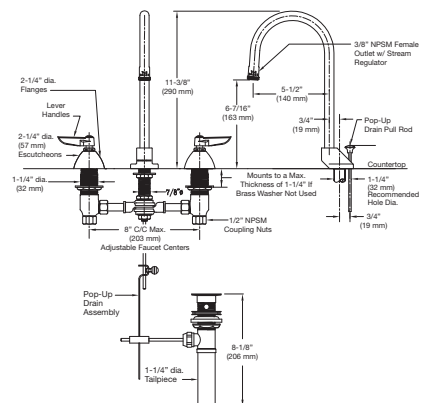
B-0855 Lavatory Faucet

- 8" deck-mount mixing swivel joint faucet body for angle installation
- 9" (229 mm) swing nozzle (166X)
- Stream regulator outlet (B-PT)
- Adjustable centers (see chart, above)
- Includes lock washers for rigid conversion (014200-45)
- Eterna cartridges with Teflon washers
- Lever handles with color coded indexes
- 6-1/4" (159 mm) clearance from deck to tip of outlet
- 1/2" NPT male inlets with coupling nuts



B-0885 Lavatory Faucet

- 8" deck-mount mixing swivel joint faucet body for angle installation
- 5-1/2" (140 mm) rigid gooseneck (120X)
- Stream regulator outlet (B-LT)
- Adjustable centers (see chart, above)
- 6-7/16" (163 mm) clearance from deck to outlet
- Eterna cartridges with Teflon washers
- Lever handles with color coded indexes
- 1/2" NPT male inlets with coupling nuts
- Pop-up drain assembly (B-0898)





Lavatory Faucets with Adjustable Centers

- All models have:
- 1/2" NPT male inlets with coupling nuts
 - Valves adjustable for angle installation
 - Eterna with Teflon washers (unless Cerama)

B-2865-05 Lavatory Faucet

Note: These faucets are not EasyInstall



- Adjustable deck-mount mixing faucet
- (2) 12" (305 mm) flexible stainless steel hose supplies inlets adjustable from 6" (152 mm) to 24" (609 mm)
- 5-9/16" (141 mm) rigid gooseneck
- Rosespray outlet (B-0103)
- 4" (102 mm) wrist action handles (B-WH4) with color coded indexes
- Eterna cartridges with Teflon washers
- 4-15/16" (126 mm) clearance from deck to face of spray
- 1/2" NPSM male inlets with coupling nuts

MODEL	CARTRIDGE	GOOSENECK	HEIGHT	CLEARANCE	SPREAD	OUTLET	GPM	HANDLE	VR	NOTES
B-2865-04L	Eterna	Rigid	10-5/8"	4-15/16"	5-9/16"	B-0103 Rosespray	—	4" Wrist Action (B-WH4)	N	12" max. adjustable faucet centers
B-2865-05	Eterna	Rigid	10-5/8"	4-15/16"	5-9/16"	B-0103 Rosespray	—	4" Wrist Action (B-WH4)	N	6" to 24" adjustable spread with 12" flexible stainless steel hoses
B-2865-05-0CS8	Eterna	OCS8 8" Swivel Cast spout	5-7/16"	3-7/8"	8"	B-0199-01 aerator	2.2 GPM	4" Wrist Action (B-WH4)	N	6" to 24" adjustable spread with 12" flexible stainless steel hoses
B-2865-05-120XA	Eterna	Rigid	10-11/16"	5-3/16"	5-9/16"	B-0199-02 aerator	2.2 GPM	4" Wrist Action (B-WH4)	N	6" to 24" adjustable spread with 12" flexible stainless steel hoses
B-2865-05CR	Cerama	Rigid	10-5/8"	4-15/16"	5-9/16"	B-0103 Rosespray	—	4" Wrist Action (B-WH4)	N	6" to 24" adjustable spread with 12" flexible stainless steel hoses
B-2865-06	Eterna	Rigid	10-5/8"	4-15/16"	5-9/16"	B-0103 Rosespray	—	4" Wrist Action (B-WH4)	N	6" max. adjustable faucet centers
B-2866-04L	Eterna	Swivel	10-11/16"	6-5/8"	5-11/16"	B-PT Stream regulator	—	4" Wrist Action (B-WH4)	N	12" adjustable centers
B-2865-06CR	Cerama	Rigid	10-5/8"	4-15/16"	5-9/16"	B-0103 Rosespray	—	4" Wrist Action (B-WH4)	N	6" max. adjustable faucet centers
B-2867-04L	Eterna	Rigid	10-11/16"	5-5/16"	5-9/16"	B-0199-02 aerator	2.2 GPM	4" Wrist Action (B-WH4)	N	12" max. adj. faucet centers

VR Vandal-resistant

B-2992 Lavatory Faucet

Note: These faucets are not EasyInstall



- 8" deck-mount mixing swivel joint faucet body for angle installation
- 5-1/4" (133 mm) cast basin spout
- 2.2 GPM aerator (B-0199-03)
- Adjustable centers (see chart on page D16)
- 2" (51 mm) clearance from deck to aerator
- 1/2" NPT male inlets with coupling nuts
- Lever handles with color coded indexes
- Eterna cartridges with Teflon washers

MODEL	CARTRIDGE	HEIGHT	CLEARANCE	SPREAD	OUTLET	GPM	HANDLE	VR	NOTES
B-2992	Eterna	3-1/16"	2"	5-1/4"	B-0199-03 aerator	2.2 GPM	Lever	N	
B-2992-180F	Eterna	3-1/16"	2"	5-1/4"	B-0199-03 aerator	2.2 GPM	Dome (3-wing)	N	
B-2992-L	Cerama	3-1/16"	2"	5-1/4"	B-0199-03F-05 flow control aerator	0.5 GPM	4" Wrist Action (B-WH4)	N	12" adjustable centers
B-2992-P	Eterna	3-1/16"	2"	5-1/4"	B-0199-03 aerator	2.2 GPM	Lever	N	Includes pop-up waste assembly (B-0898)
B-2992-PWH4	Eterna	3-1/16"	2"	5-1/4"	B-0199-03 aerator	2.2 GPM	4" Wrist Action (B-WH4)	N	Includes pop-up waste assembly (B-0898)
B-2992-WH4	Eterna	3-1/16"	2"	5-1/4"	B-0199-03 aerator	2.2 GPM	4" Wrist Action (B-WH4)	N	

VR Vandal-resistant

Lavatory Faucets with Rigid Gooseneck



All models have: • 4" (102 mm) centers • Fit sinks up to 3/4" (19 mm) thick
• 1/2" NPSM male inlets with coupling nuts

B-0892 Lavatory Faucet with Rigid Gooseneck

- 4" (102 mm) centerset deck-mount mixing faucet
- 2-7/8" (73 mm) rigid gooseneck (005028-40)
- 2.2 GPM aerator-Series 1 (B-0199-01)
- Eterna cartridges with Teflon washers
- 4" (102 mm) wrist action handles (B-WH4) with color coded indexes
- 1/2" NPSM male inlets with coupling nuts



B-0893 Same as B-0892 except with pop-up drain assembly (B-0898)

MODEL	CARTRIDGE	GOOSENECK	HEIGHT	CLEARANCE	SPREAD	OUTLET	GPM	HANDLE	VR	NOTES
B-0892	Eterna/Teflon washers	Rigid (005028-40)	10-7/16"	6-11/16"	2-7/8"	B-0199-01 aerator	2.2 GPM	4" Wrist Action (B-WH4)	N	
B-0892-01	Eterna/Teflon washers	Rigid	10-1/8"	6-3/16"	4-1/8"	B-0199-02 aerator	2.2 GPM	4" Wrist Action (B-WH4)	N	
B-0892-01-CR	Cerama	Rigid	10-1/8"	6-3/16"	4-1/8"	B-0199-02 aerator	2.2 GPM	4" Wrist Action (B-WH4)	N	
B-0892-01-WS	Eterna/Teflon washers	Rigid	10-1/8"	6-3/16"	4-1/8"	B-0199-01-WS WaterSense aerator	1.5 GPM	4" Wrist Action (B-WH4)	N	
B-0892-122X-LAM	Eterna/Teflon washers	Rigid	12-3/8"	7"	5-9/16"	B-0199-21 laminar flow device	2.2 GPM	4" Wrist Action (B-WH4)	N	
B-0892-CR	Cerama	Rigid (005028-40)	10-7/16"	6-11/16"	2-7/8"	B-0199-01 aerator	2.2 GPM	4" Wrist Action (B-WH4)	N	
B-0892-CR-LF05	Cerama	Rigid	10-7/16"	6-11/16"	2-7/8"	B-0199-01-N05 VR non-aerated spray device	0.5 GPM	4" Wrist Action (B-WH4)	N	
B-0892-CR-WS	Cerama	Rigid	10-7/16"	6-11/16"	2-7/8"	B-0199-01-WS WaterSense aerator	1.5 GPM	4" Wrist Action (B-WH4)	N	
B-0892-F05	Eterna/Teflon washers	Rigid	10-7/16"	6-11/16"	2-7/8"	B-0199-01-N05 VR non-aerated spray device	0.5 GPM	4" Wrist Action (B-WH4)	N	
B-0892-FC	Eterna with flow control	Rigid (119XP)	8-15/16"	5-11/16"	2-5/8"	Plain end outlet	0.7 GPM	4" Wrist Action (B-WH4)	N	0.7 GPM flow control in each cartridge
B-0892-F1-CR-SC	Cerama with check valves	Rigid (005028-40)	10-3/8"	6-5/8"	2-7/8"	B-0199-01-F10 aerator	1.0 GPM	4" Wrist Action (B-WH4)	N	
B-0892-LF22	Eterna/Teflon washers	Rigid (005028-40)	10-7/16"	6-5/8"	2-7/8"	B-0199-21 Laminar flow device	2.2 GPM	4" Wrist Action (B-WH4)	N	
B-0892-M Master Box (6)	Eterna/Teflon washers	Rigid (005028-40)	10-7/16"	6-11/16"	2-7/8"	B-0199-01 aerator	2.2 GPM	4" Wrist Action (B-WH4)	N	Master carton of 6
B-0892-VF05	Eterna/Teflon washers	Rigid (005028-40)	10-7/16"	6-11/16"	2-7/8"	B-0199-06-N05 VR non-aerated spray device	0.5 GPM	4" Wrist Action (B-WH4)	Y	
B-0892-VRS	Eterna/Teflon washers	Rigid (005028-40)	10-3/8"	6-5/8"	2-7/8"	B-0199-06 VR aerator	2.2 GPM	4" Wrist Action (B-WH4)	Y	VR handle screws
B-0892-WS	Eterna/Teflon washers	Rigid (005028-40)	10-7/16"	6-11/16"	2-7/8"	B-0199-01-WS WaterSense aerator	1.5 GPM	4" Wrist Action (B-WH4)	N	
B-0893	Eterna/Teflon washers	Rigid	10-7/16"	6-11/16"	2-7/8"	B-0199-02 aerator	2.2 GPM	4" Wrist Action (B-WH4)	N	With pop-up waste assembly (B-0898)

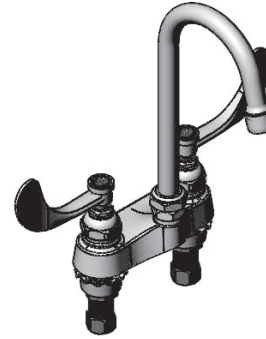
VR Vandal-resistant

Lavatory Faucets with Swivel Gooseneck



- All models have:
- 4" (102 mm) centers
 - Fit sinks up to 3/4" (19 mm) thick
 - 1/2" NPSM male inlets with coupling nuts
 - Lock washer for rigid conversion

B-0892-01QT Lavatory Faucet with Swivel Gooseneck



- 4" (102 mm) deck-mount centerset mixing faucet
- 4-3/8" (111 mm) swivel gooseneck (017907-45)
- B-0412 rigid to swivel adapter
- Includes lock washer for rigid conversion (014200-45)
- 2.2 GPM aerator-Series 1 (B-0199-01)
- Quarter-turn Eterna cartridges with Teflon washers
- 4" (102 mm) wrist action handles (B-WH4) with color coded indexes
- 4" (102 mm) from center of inlets to center of outlet
- 7-1/4" (184 mm) clearance from deck to aerator
- 1/2" NPSM male inlets with coupling nuts

MODEL	CARTRIDGE	GOOSENECK	HEIGHT	CLEARANCE	SPREAD	OUTLET	GPM	HANDLE	VR	NOTES
B-0892-01QT	Eterna/Teflon washers (Quarter-turn)	Swivel	10-7/8"	7-1/4"	4-3/8"	B-0199-01 aerator	2.2 GPM	4" Wrist Action (B-WH4)	N	B-0412 rigid-to-swivel adapter
B-0892-01CR-22	Eterna/Teflon washers (Quarter-turn)	Swivel	10-7/8"	7-1/4"	4-3/8"	B-0199-21 Laminar flow device	2.2 GPM	4" Wrist Action (B-WH4)	N	B-0412 rigid-to-swivel adapter
B-0892-133X	Eterna/Teflon washers	Swivel (133X)	12"	7-15/16"	5-11/16"	B-PT stream regulator outlet	—	4" Wrist Action (B-WH4)	N	B-0412 rigid-to-swivel adapter
B-0892-135X	Eterna/Teflon washers (Quarter-turn)	Swivel	13-7/8"	6-7/8"	8-13/16"	B-0199-21 Laminar flow device	2.2 GPM	4" Wrist Action (B-WH4)	N	B-0412 rigid-to-swivel adapter
B-0892-CR-HW	Cerama	Swivel (018176-40)	10-7/8"	7-11/16"	4-1/4"	B-PT stream regulator outlet	1.2 GPM	4" Wrist Action (B-WH4)	N	B-0412-F12 adapter with 1.2 GPM flow control
B-0892-LF12-CR4	Cerama	Swivel (016887-40)	13"	8-7/8"	5-11/16"	B-PT stream regulator outlet	1.2 GPM	4" Wrist Action (B-WH4)	N	B-0412-F12 adapter with 1.2 GPM flow control
B-0892-LN-QT	Eterna/Teflon washers (Quarter-turn)	Swivel	Less nozzle	Less nozzle	Less nozzle	Less nozzle	Less nozzle	4" Wrist Action (B-WH4)	N	B-0412 rigid-to-swivel adapter; less nozzle
B-0892-LN	Eterna/Teflon washers	Swivel	Less nozzle	Less nozzle	Less nozzle	Less nozzle	Less nozzle	4" Wrist Action (B-WH4)	N	B-0412 rigid-to-swivel adapter; less nozzle
B-0892-QT-F05	Eterna/Teflon washers (Quarter-turn)	Swivel	10-7/8"	7-1/4"	4-3/8"	B-0199-01-N05 non-aerated spray device	0.5 GPM	4" Wrist Action (B-WH4)	N	B-0412 rigid-to-swivel adapter
B-0892-QT-LF16	Eterna/Teflon washers (Quarter-turn)	Swivel (018176-40)	10-7/8"	7-11/16"	4-1/4"	B-PT stream regulator outlet	1.6 GPM	4" Wrist Action (B-WH4)	N	B-0412-F16 adapter with 1.6 GPM flow control
B-0892-QT-VF05	Eterna/Teflon washers (Quarter-turn)	Swivel	10-15/16"	7-1/4"	4-3/8"	B-0199-06-N05 VR non-aerated spray device	0.5 GPM	4" Wrist Action (B-WH4)	Y	B-0412 rigid-to-swivel adapter
B-0892-QT-VF05G	Eterna/Teflon washers (Quarter-turn)	Swivel	10-15/16"	7-5/16"	4-3/8"	B-0199-06-N05 VR non-aerated spray device	0.5 GPM	4" Wrist Action (B-WH4)	Y	B-0412 rigid-to-swivel adapter; deck gasket
B-0892-QT-WS	Eterna/Teflon washers (Quarter-turn)	Swivel	10-7/8"	7-1/4"	4-1/4"	B-0199-01-WS WaterSense aerator	1.5 GPM	4" Wrist Action (B-WH4)	N	B-0412 rigid-to-swivel adapter
B-2320	Eterna/Teflon washers	Swivel (008978-40)	6-3/4"	4-1/4"	4-1/8"	B-0199-01 aerator	2.2 GPM	Lever	N	B-0412 rigid-to-swivel adapter

VR Vandal-resistant

Lavatory Faucets with Cast Basin Spout



- All models have:
- 15/16" dia. top shank
 - Fit sinks up to 3/4" (19 mm) thick
 - 1/2" NPSM male inlets with coupling nuts

B-0890 Lavatory Faucet



B-0891 Same as B-0890 except with pop-up drain assembly (B-0898)

- 4" (102 mm) centerset deck-mount mixing faucet
- 3-3/4" (95 mm) from inlet of faucet to outlet
- 2.2 GPM aerator-Series 3 (B-0199-03)
- 1-7/16" (37 mm) clearance from deck to aerator
- Eterna cartridges with Teflon washers
- 4" (102 mm) wrist action handles (B-WH4) with color coded indexes
- 1/2" NPSM male inlets with coupling nuts

MODEL	CARTRIDGE	HEIGHT	CLEARANCE	SPREAD	OUTLET	GPM	HANDLE	VR	NOTES
B-0890	Eterna/teflon washers	4-15/16"	1-7/16"	3-3/4"	B-0199-03 aerator	2.2 GPM	4" Wrist Action (B-WH4)	N	
B-0890-177F	Cerama	3-1/8"	1-7/16"	3-3/4"	B-0199-03 aerator	2.2 GPM	Lever	N	
B-0890-CR	Cerama	4-7/8"	1-7/16"	3-3/4"	B-0199-03 aerator	2.2 GPM	4" Wrist Action (B-WH4)	N	
B-0890-CR-LF05	Cerama	4-7/8"	1-1/4"	3-3/4"	B-0199-03-N05 non-aerated spray device	0.5 GPM	4" Wrist Action (B-WH4)	N	
B-0890-CR-WS	Cerama	4-7/8"	1-7/16"	3-3/4"	B-0199-03-WS WaterSense aerator	1.5 GPM	4" Wrist Action (B-WH4)	N	
B-0890-F05	Eterna/Teflon washers	4-15/16"	1-7/16"	3-3/4"	B-0199-03-N05 non-aerated spray device	0.5 GPM	4" Wrist Action (B-WH4)	N	
B-0890-M	Eterna/Teflon washers	4-15/16"	1-7/16"	3-3/4"	B-0199-03 aerator	2.2 GPM	4" Wrist Action (B-WH4)	N	Master carton of 6
B-0890-QT	Eterna/Teflon washers (Quarter-turn)	4-15/16"	1-7/16"	3-3/4"	B-0199-03 aerator	2.2 GPM	4" Wrist Action (B-WH4)	N	
B-0890-QT-VRS	Eterna/Teflon washers (Quarter-turn)	4-15/16"	1"	3-3/4"	B-0199-08 VR aerator	2.2 GPM	4" Wrist Action (B-WH4)	Y	VR handle screws (VRS-2)
B-0890-QT-WS	Eterna/Teflon washers	4-15/16"	1-7/16"	3-3/4"	B-0199-03-WS WaterSense aerator	1.5 GPM	4" Wrist Action (B-WH4)	N	
B-0890-VF05	Eterna/Teflon washers	4-15/16"	1-7/16"	3-3/4"	B-0199-08-N05 non-aerated spray device	0.5 GPM	4" Wrist Action (B-WH4)	Y	
B-0890-VF05-QT	Eterna/Teflon washers (Quarter-turn)	4-15/16"	1-7/16"	3-3/4"	B-0199-08-N05 non-aerated spray device	0.5 GPM	4" Wrist Action (B-WH4)	Y	
B-0890-VF22	Eterna/Teflon washers	4-15/16"	1"	3-3/4"	B-0199-08 VR aerator	2.2 GPM	4" Wrist Action (B-WH4)	Y	
B-0890-VRS	Eterna/Teflon washers	4-15/16"	1"	3-3/4"	B-0199-08 aerator	2.2 GPM	4" Wrist Action (B-WH4)	Y	VR handle screws (VRS-2)
B-0890-WS	Eterna/Teflon washers	4-15/16"	1-7/16"	3-3/4"	B-0199-03-WS WaterSense aerator	1.5 GPM	4" Wrist Action (B-WH4)	N	
B-0891	Eterna/Teflon washers	4-15/16"	1-7/16"	3-3/4"	B-0199-03 aerator	2.2 GPM	4" Wrist Action (B-WH4)	N	Pop-up drain assembly (B-0898)

VR Vandal-resistant

B-0894 Lavatory Faucet



- 4" (102 mm) centerset deck-mount mixing faucet with cast basin spout
- 3-3/4" (95 mm) from inlet of faucet to outlet
- Drip proof sprayface outlet
- 1-9/16" (40 mm) clearance from deck to outlet
- 4" (102 mm) wrist action handles (B-WH4) with color coded indexes
- 1/2" NPSM male inlets with coupling nuts



Centerset Faucets with or without Pop-Up Assembly

- All models have:
- 15/16" dia. top shank
 - Fit sinks up to 3/4" (19 mm) thick
 - 1/2" NPSM male inlets with coupling nuts

B-0870 Centerset Lavatory Faucet

- 4" (102 mm) centerset deck-mount mixing faucet with cast basin spout
- 2.2 GPM aerator (B-0199-03)
- Eterna cartridges
- Lever handles with color coded indexes
- 3-3/4" (95 mm) from inlet of faucet to outlet
- 1-7/16" (27 mm) clearance from deck to aerator
- Pop-up drain assembly (B-0898)
- See chart below for related B-0870 models



B-0873 Centerset Lavatory Faucet

- 4" (102 mm) centerset deck-mount mixing faucet
- 2-3/4" (70 mm) rigid gooseneck (119X)
- 2.2 GPM aerator (B-0199-02)
- Eterna cartridges
- Lever handles with color coded indexes
- 3-7/8" (98 mm) from center of inlets to center of outlet
- 5-11/16" (145 mm) clearance from deck to aerator
- Pop-up drain assembly (B-0898)



B-0874 Same as B-0873 except without pop-up drain assembly
B-0874-M B-0874 Master Box (6)

B-0870 Models:

MODEL	CARTRIDGE	HEIGHT	CLEARANCE	SPREAD	OUTLET	GPM	HANDLE	VR	NOTES
B-0870	Eterna	3-1/4"	1-7/16"	3-3/4"	B-0199-03 aerator	2.2 GPM	Lever	N	Includes pop-up drain assembly (B-0898)
B-0870-CR	Cerama	3-1/4"	1-7/16"	3-3/4"	B-0199-03 aerator	2.2 GPM	Lever	N	Includes pop-up drain assembly (B-0898)
B-0871	Eterna	3-1/4"	1-7/16"	3-3/4"	B-0199-03 aerator	2.2 GPM	Lever	N	
B-0871-CR	Cerama	3-1/4"	1-7/16"	3-3/4"	B-0199-03 aerator	2.2 GPM	Lever	N	
B-0871-CR-LF05	Cerama	3-1/4"	1-7/16"	3-3/4"	B-0199-03-N05 non-aerated spray device	0.5 GPM	Lever	N	
B-0871CR-PRISON	Cerama	3-1/4"	1-7/16"	3-3/4"	B-0199-08F-10 VR aerator w/ flow control	1.0 GPM	Lever	Y	VR handle screws (VRS-1)
B-0871-CR-WS	Cerama	3-1/4"	1-7/16"	3-3/4"	B-0199-03-WS WaterSense aerator	1.5 GPM	Lever	N	
B-0871-F05	Eterna	3-1/4"	1-7/16"	3-3/4"	B-0199-03-N05 non-aerated spray device	0.5 GPM	Lever	N	
B-0871-M	Eterna	3-1/4"	1-7/16"	3-3/4"	B-0199-03 aerator	2.2 GPM	Lever	N	Master carton of 6
B-0871-VF05	Eterna	3-1/4"	1-7/16"	3-3/4"	B-0199-08-N05 non-aerated spray device	0.5 GPM	Lever	Y	
B-0871-VF22-QT	Eterna (Quarter-turn)	3-1/4"	1-7/16"	3-3/4"	B-0199-08 VR aerator	2.2 GPM	Lever	Y	
B-0871-VRS	Eterna	3-1/4"	1-7/16"	3-3/4"	B-0199-08 VR aerator	2.2 GPM	Lever	N	VR handle screws (B-VRS)
B-0871-VR-CH-QT	Eterna (Quarter-turn)	3-1/4"	1-7/16"	3-3/4"	B-0199-08 VR aerator	2.2 GPM	Club	N	Club handles with VR handle screws (B-VRS)
B-0871-WS	Eterna	3-1/4"	1-7/16"	3-3/4"	B-0199-03-WS WaterSense aerator	1.5 GPM	Lever	N	

VR Vandal-resistant

Centerset Faucets with or without Pop-Up Assembly



- All models have:
- 15/16" dia. top shank
 - Fit sinks up to 3/4" (19 mm) thick
 - 1/2" NPSM male inlets with coupling nuts

B-0877 Centerset Lavatory Faucet

- 4" (102 mm) centerset deck-mount mixing faucet with cast basin spout
- 1-1/4" (32 mm) diameter spray face
- Eterna cartridges
- Lever handles with color coded indexes
- 3-3/4" (95 mm) from inlet of faucet to outlet
- 1-13/16" (46 mm) clearance from deck to outlet
- 1/2" NPSM male inlets with coupling nuts



B-2970 Lavatory Faucet

- 4" (102 mm) centerset deck-mount mixing faucet with cast basin spout
- 2.2 GPM aerator (B-0199-03)
- Eterna cartridges
- 3-wing handles with color coded indexes
- 3-3/4" (95 mm) from inlet of faucet to outlet
- 1-1/2" (38 mm) clearance from deck to aerator
- 1/2" NPSM male inlets with coupling nuts
- Pop-up drain assembly (B-0898)

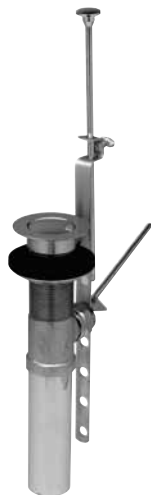


B-2971 Same as B-2970 except without pop-up assembly

Faucet Pop-Up Drain Assemblies

B-0898 Pop-Up Drain Assembly

- Cast brass drain body
- Vandal resistant stopper
- 1-1/4" (32 mm) diameter 17 gage tailpiece
- Fits sinks with 1-7/16" (36.5 mm) to 1-3/4" (44 mm) diameter drain hole



B-0898-OF Offset Drain



- ADA compliant
- Polished chrome plated bronze body
- Captive grid
- 1-1/4" (32 mm) diameter 17 gage tailpiece

B-0899 Drain with Grid



- Cast brass polished chrome plated grid
- 1-1/4" (32 mm) diameter 17 gage tailpiece



Pivot Action Metering Faucets

- All models:
- ADA compliant per ANSI A117.1
 - Low force required to activate faucet
 - Load tested to 150 lbs. of force to meet the most demanding applications

B-0712-PA Pivot Action Metering Faucet

- Single hole single temperature deck-mount basin faucet
- Pivot action metering cartridge with adjustable timed flow
- Blank handle and vandal-resistant screw
- 1/2" NPS male shank inlet
- Includes tailpiece and nut for 1/4" NPT connection (150A)
- 4-1/8" (105 mm) center of faucet to outlet
- 7/8" (22 mm) clearance from deck to aerator
- 2.2 GPM aerator (B-0199-02)



B-0805-PA Pivot Action Metering Single Temperature Faucet

- Single hole single temperature deck-mount basin faucet
- Pivot action metering cartridge with adjustable timed flow
- Blank handle and vandal-resistant screw
- 1/2" NPSM male inlet with coupling nut
- Fits sinks up to 1" (25 mm) thick
- 4-5/16" (110 mm) center of faucet to outlet
- 1-5/8" (41 mm) clearance from deck to aerator
- 2.2 GPM aerator (B-0199-02)



B-0831-PA Pivot Action Metering Lavatory Faucet

- 4" (102 mm) centerset deck-mount mixing faucet with cast basin spout
- Pivot action metering cartridges with adjustable timed flow and hot and cold handles with vandal-resistant screws
- 3-3/4" (95 mm) from inlet of faucet to outlet
- 2.2 GPM aerator (B-0199-03)
- 1-1/2" (38 mm) clearance from deck to aerator



B-0800-PA Pivot Action Metering Wash Sink Single Temperature Faucet

- Single temperature wall-mount wash sink metering faucet
- Pivot action metering cartridge with adjustable timed flow
- Blank handle and vandal-resistant screw
- 1/2" NPT female inlet
- Rosespray outlet (B-0103)
- 6-3/4" (171 mm) overall length
- 4" (102 mm) from wall to center of outlet



B-0807-PA Pivot Action Metering Faucet

- Single hole single temperature deck-mount basin faucet
- 18" flexible inlet hoses (compression fittings for 5/8" OD tubing or 1/2" NPSM male thread)
- Pivot action metering cartridge with adjustable timed flow
- Blank handle and vandal-resistant screw
- Fits sinks up to 1-1/4" (32 mm) thick
- 4-5/16" (110 mm) center of faucet to outlet
- 1-5/8" (41 mm) clearance from deck to aerator
- 2.2 GPM aerator (B-0199-02)
- Mechanical temperature mixing valve with integral check valves



B-0837-PA Pivot Action Metering Faucet

- 4" (102 mm) centerset deck-mount mixing faucet with cast basin spout
- Pivot action metering cartridges with adjustable timed flow and hot and cold handles with vandal-resistant screws
- Drip-proof sprayface outlet
- 1-1/2" (38 mm) clearance from deck to outlet
- 3-3/4" (95 mm) from inlet of faucet to outlet





Pivot Action Metering Faucets

- All models:
- ADA compliant per ANSI A117.1
 - Low force required to activate faucet
 - Load tested to 150 lbs. of force to meet the most demanding applications

B-2490-PA Pivot Action Metering Faucet

- Single hole single temperature deck-mount basin faucet
- Pivot action metering cartridge with adjustable timed flow and blank handle with vandal-resistant screw
- 2.2 GPM aerator (B-0199-02)
- 18" flexible inlet hoses (compression fittings for 5/8" O.D. tubing or 1/2" NPSM male thread)
- 4-1/8" (105 mm) from center of faucet to center of outlet
- Mechanical temperature mixing valve with integral check valves



Pivot Action Metering Faucets / Concealed Widespread



NEW DESIGN has EasyInstall pre-assembled faucet body for Concealed Widespread Faucets

- Easy installation
- 1/2" O.D. slip inlets
- Teflon seat washers
- 1/2" NPSM coupling nuts

EasyInstall

B-2820-PA Concealed Body Lavatory Faucet

- 8" (203 mm) deck-mount EasyInstall concealed widespread faucet
- Pivot action metering cartridges with adjustable timed flow and hot and cold handles with vandal-resistant screws
- 5-1/2" (140 mm) rigid goose-neck (120X)
- Stream regulator outlet (B-LT)
- 5-5/8" (143 mm) clearance from deck to tip of outlet
- 1/2" NPSM male inlets with coupling nuts



B-2991-PA Pivot Action Metering Valve Lavatory Faucet

- 8" (203 mm) deck-mount EasyInstall concealed widespread faucet
- Pivot action metering cartridges with adjustable timed flow and hot and cold handles with vandal-resistant screws
- 5-1/4" (133 mm) cast basin spout
- 2.2 GPM aerator (B-0199-03)
- 2" (51 mm) clearance from deck to aerator
- 1/2" NPSM male inlets with coupling nuts



PATENTED
DESIGN
PATENT
NUMBER
7,472,434



Slow Self-Closing Metering Faucets

- All models:
- Provide adjustable, timed flow of water
 - Require less than 5 lbs. operating force to open
 - ADA compliant
 - Remain open for 10 seconds minimum
 - Vandal resistant

B-0805 Slow Self-Closing Single Temperature Faucet

- Single hole single temperature deck-mount faucet
- Slow self-closing metering cartridge with adjustable timed flow
- Blank push button cap with vandal-resistant screw
- 2.2 GPM aerator outlet (B-0199-02)
- 4-15/16" (125 mm) high
- 1-5/8" (42 mm) clearance
- Fits sinks up to 1" thick
- 1/2" NPSM inlet with coupling nuts
- Furnished with spanner bit for vandal-resistant screw
- See chart below for related B-0805 models



B-0800 Slow Self-Closing Wash Sink Single Temperature Faucet

- Single hole single temperature wall-mount faucet
- Slow self-closing metering cartridge with adjustable timed flow
- Blank push button cap with vandal-resistant screw
- Rosespray outlet (B-0103)
- 4" (102 mm) spread from wall to center of outlet
- 1/2" NPT female inlet
- Furnished with spanner bit for vandal-resistant screw



B-0805 Models:

MODEL	CARTRIDGE	HEIGHT	CLEARANCE	SPREAD	OUTLET	GPM	HANDLE	VR	NOTES
B-0805	Metering (Slow Self-Closing)	4-15/16"	1-5/8"	4-5/16"	B-0199-02 aerator	2.2 GPM	Push button	Y	
B-0805-01	Wrist action metering	8-7/16"	1-5/8"	4-5/16"	B-0199-02 aerator	2.2 GPM	4" Wrist Action	N	Cold index; see inset illustration (above)
B-0805-DP	Metering (Slow Self-Closing)	5-7/16"	2-1/16"	4-5/16"	B-0199-02 aerator	2.2 GPM	Push button (Blank)	Y	4" C/C chrome plated deckplate
B-0805-F05	Metering (Slow Self-Closing)	4-15/16"	1-5/8"	4-5/16"	B-0199-02-N05 non-aerated spray device	0.5 GPM	Push button (Blank)	Y	
B-0805-VF05	Metering (Slow Self-Closing)	4-15/16"	1-5/8"	4-5/16"	B-0199-07-N05 VR spray device	0.5 GPM	Push button (Blank)	Y	
B-0805-VR	Metering (Slow Self-Closing)	5-1/4"	1-7/8"	4-5/16"	B-0199-07 VR aerator	2.2 GPM	Push button (Blank)	Y	4" C/C chrome plated VR deckplate
B-0805-VR-LDP	Metering (Slow Self-Closing)	4-15/16"	1-5/8"	4-5/16"	B-0199-07 VR aerator	2.2 GPM	Push button (Blank)	Y	
B-0805-VR-VF05	Metering (Slow Self-Closing)	5-1/4"	1-7/8"	4-5/16"	B-0199-07-N05 VR non-aerated spray device	0.5 GPM	Push button (Blank)	Y	4" C/C chrome plated VR deckplate
B-0805-WS	Metering (Slow Self-Closing)	4-15/16"	1-1/2"	4-5/16"	B-0199-02-WS WaterSense aerator	1.5 GPM	Push button (Blank)	Y	
B-0806	Metering (Slow Self-Closing)	4-15/16"	1-1/2"	4-3/8"	B-0103 Rosespray	—	Push button (Blank)	Y	
B-0806-VR	Metering (Slow Self-Closing)	5-1/4"	1-13/16"	4-3/8"	B-0103 Rosespray	—	Push button (Blank)	Y	4" C/C chrome plated VR deckplate

VR Vandal-resistant

Slow Self-Closing Metering Faucets



- All models:
- Provide adjustable, timed flow of water
 - ADA compliant
 - Vandal resistant
 - Require less than 5 lbs. operating force to open
 - Remain open for 10 seconds minimum

B-0807 Slow Self-Closing Mixing Faucet

- Single hole single temperature deck-mount faucet
- Slow self-closing metering cartridge with adjustable timed flow
- Blank push button cap with vandal-resistant screw
- 2.2 GPM aerator outlet (B-0199-02)
- 18" flexible inlet hoses (compression fittings for 5/8" OD tubing or 1/2" NPSM male thread)
- Fits sinks up to 1-1/4" (32 mm) thick
- 4-15/16" (125 mm) high
- Mechanical temperature mixing valve with integral check valves



B-0807-01



MODEL	CARTRIDGE	HEIGHT	CLEARANCE	SPREAD	OUTLET	GPM	HANDLE	VR	NOTES
B-0807	Metering (Slow Self-Closing)	4-15/16"	1-5/8"	4-5/16"	B-0199-02 aerator	2.2 GPM	Push button (Blank)	Y	
B-0807-01	Wrist Action	8-7/16"	1-5/8"	4-5/16"	B-0199-02 aerator	2.2 GPM	4" Wrist Action (Cold index)	N	
B-0807-VR	Metering (Slow Self-Closing)	5-1/4"	1-7/8"	4-5/16"	B-0199-07 VR aerator	2.2 GPM	Push button (Blank)	Y	4" C/C chrome plated VR deckplate
B-0807-WS	Metering (Slow Self-Closing)	4-15/16"	1-5/8"	4-5/16"	B-0199-02-WS WaterSense aerator	1.5 GPM	Push button (Blank)	Y	
B-0808	Metering (Slow Self-Closing)	4-15/16"	1-7/16"	4-3/8"	B-0103 Rosespray	—	Push button (Blank)	Y	
B-0842	Eterna	8-1/4"	1-5/8"	4-5/16"	B-0199-02 aerator	2.2 GPM	4" Wrist Action (Cold index)	Y	

VR Vandal-resistant

B-0712 Push Button Metering Faucet

- Single hole single temperature deck-mount faucet
- Slow self-closing metering cartridge with adjustable timed flow
- Blank push button cap with vandal-resistant screw
- 2.2 GPM aerator outlet (B-0199-02)
- 1/2" NPS male shank
- 4-1/8" (105 mm) center of faucet to center of spout



MODEL	CARTRIDGE	HEIGHT	CLEARANCE	SPREAD	OUTLET	GPM	HANDLE	VR	NOTES
B-0712	Metering (Slow Self-Closing)	4-5/8"	7/8"	4-1/8"	B-0199-02 aerator	2.2 GPM	Push button (Blank)	Y	
B-0712-01VRS	Metering (Slow Self-Closing)	5-1/16"	7/8"	4-1/8"	B-0199-07 VR aerator	2.2 GPM	Lever	Y	VR handle screw (B-VRS)
B-0712-4DP	Metering (Slow Self-Closing)	4-15/16"	1-3/16"	4-1/8"	B-0199-02 aerator	2.2 GPM	Push button (Blank)	Y	4" C/C chrome plated VR deckplate
B-0712-ESC	Metering (Slow Self-Closing)	5-1/8"	1-5/16"	4-1/8"	B-0199-02 aerator	2.2 GPM	Push button (Blank)	Y	6-1/8" wide polished chrome cover plate
B-0712-F05	Metering (Slow Self-Closing)	4-5/8"	7/8"	4-1/8"	B-0199-02-N05 non-aerated spray device	0.5 GPM	Push button (Blank)	Y	
B-0712-VF05	Metering (Slow Self-Closing)	4-5/8"	7/8"	4-1/8"	B-0199-07-N05 VR non-aerated spray device	0.5 GPM	Push button (Blank)	Y	
B-0712-VF05-4DP	Metering (Slow Self-Closing)	4-15/16"	1-3/16"	4-1/8"	B-0199-07-N05 VR non-aerated spray device	0.5 GPM	Push button (Blank)	Y	4" C/C chrome plated VR deckplate
B-0712-WS	Metering (Slow Self-Closing)	4-5/8"	7/8"	4-1/8"	B-0199-02-WS WaterSense aerator	1.5 GPM	Push button (Blank)	Y	
B-0713	Metering (Slow Self-Closing)	4-5/8"	7/8"	4-1/8"	B-0199-07 VR aerator	2.2 GPM	Push button (Blank)	Y	

VR Vandal-resistant



Slow Self-Closing Metering Faucets

- All models:
- Provide adjustable, timed flow of water
 - ADA compliant
 - Vandal resistant
 - Require less than 5 lbs. operating force to open
 - Remain open for 10 seconds minimum

B-0831 Slow Self-Closing Centerset Lavatory Faucet

- 4" centerset deck-mount mixing faucet with cast basin spout
- Slow self-closing metering cartridges with adjustable timed flow
- Hot and cold push button caps with vandal-resistant screws
- 2.2 GPM aerator outlet (B-0199-03)
- 3-3/4" (95 mm) from inlet of faucet to outlet
- 1-7/16" (37 mm) clearance from deck to aerator
- Includes spanner bit for vandal-resistant screws



MODEL	CARTRIDGE	HEIGHT	CLEARANCE	SPREAD	OUTLET	GPM	HANDLE	VR	NOTES
B-0830	Metering (Slow Self-Closing)	3-7/16"	1-7/16"	3-3/4"	B-0199-03 aerator	2.2 GPM	Push button (H & C)	Y	Includes pop-up drain (B-0898)
B-0831	Metering (Slow Self-Closing)	3-7/16"	1-7/16"	3-3/4"	B-0199-03 aerator	2.2 GPM	Push button (H & C)	Y	
B-0831-02	Metering (Slow Self-Closing)	3-7/16"	1-7/16"	3-3/4"	B-0199-03-N05 non-aerated spray device	0.5 GPM	Push button (H & C)	Y	
B-0831-02VR	Metering (Slow Self-Closing)	3-7/16"	1-7/16"	3-3/4"	B-0199-08-N05 non-aerated spray device	0.5 GPM	Push button (H & C)	Y	Includes VR key
B-0831-F05	Metering (Slow Self-Closing)	3-7/16"	1-7/16"	3-3/4"	B-0199-03-N05 non-aerated spray device	0.5 GPM	Push button (H & C)	Y	
B-0831-VF05	Metering (Slow Self-Closing)	3-7/16"	1-7/16"	3-3/4"	B-0199-08-N05 VR non-aerated spray device	0.5 GPM	Push button (H & C)	Y	Includes VR key
B-0831-VR	Metering (Slow Self-Closing)	3-7/16"	1"	3-13/16"	B-0199-08 VR aerator	2.2 GPM	Push button (H & C)	Y	Includes VR key
B-0831-WS	Metering (Slow Self-Closing)	3-7/16"	1-7/16"	3-3/4"	B-0199-03-WS WaterSense aerator	1.5 GPM	Push button (H & C)	Y	

VR Vandal-resistant

B-0833 Slow Self-Closing Centerset Lavatory Faucet with Pop-Up

- 4" centerset deck-mount mixing faucet
- Slow self-closing metering cartridge with adjustable timed flow
- Rigid gooseneck with 2.2 GPM aerator (B-0199-02)
- 3-7/8" (98 mm) from inlet of faucet to outlet
- 5-11/16" (144 mm) clearance from deck to aerator
- 1/2" NPSM inlets with coupling nuts
- Includes pop-up drain assembly (B-0898)
- Includes spanner bit for vandal-resistant screws



B-0834 Same as B-0833 except without pop-up assembly
B-0834-01 Same as B-0834 except with wrist action metering cartridges with 4" (102 mm) handles (shown, below)





Slow Self-Closing Metering Faucets

- All models:
- Provide adjustable, timed flow of water
 - ADA compliant
 - Vandal resistant
 - Require less than 5 lbs. operating force to open
 - Remain open for 10 seconds minimum

B-0836 Slow Self-Closing Centerset Lavatory Faucet with Pop-Up

- 4" centerset deck-mount mixing faucet with cast basin spout
- Slow self-closing metering cartridge with adjustable timed flow
- Hot and cold push button caps with vandal-resistant screws
- 3-3/4" (95 mm) from inlet of faucet to outlet
- Drip-proof spray face
- 1-9/16" (40 mm) clearance from deck to outlet
- Includes pop-up drain (B-0898)



B-0837 Same as B-0836 except without pop-up assembly

B-2821 Concealed Body Lavatory Faucet

- 8" deck-mount EasyInstall concealed widespread faucet
- Slow self-closing metering cartridge with adjustable timed flow
- Hot and cold push button caps with vandal-resistant screws
- Rigid gooseneck (120X)
- Stream regulator outlet (B-LT)
- 6-1/4" (159 mm) spread from inlet centers to center of outlet
- 6-3/16" (157 mm) clearance from deck to tip of outlet
- Includes pop-up drain (B-0898)

EasyInstall



B-2490 Slow Self-Closing Metering Valve

- Single hole single temperature deck-mount basin faucet
- Slow self-closing metering cartridge with adjustable timed flow and blank push button cap with vandal-resistant screw
- 2.2 GPM aerator (B-0199-02)
- 18" flexible inlet hoses (compression fittings for 5/8" OD tubing or 1/2" NPSM male thread)
- 4-1/8" (105 mm) from center of faucet to center of outlet
- Mechanical temperature mixing valve with integral check valves



B-2820 Concealed Body Lavatory Faucet

- 8" deck-mount EasyInstall concealed widespread faucet
- Slow self-closing metering cartridges with adjustable timed flow
- Hot and cold push button caps with vandal-resistant screws
- 5-1/2" (140 mm) rigid gooseneck (120X)
- Stream regulator outlet (B-LT)
- 5-5/8" (143 mm) clearance from deck to tip of outlet
- 1/2" NPSM male inlets with coupling nuts

EasyInstall

**PATENTED
DESIGN
PATENT
NUMBER
7,472,434**



B-2820-01 Same as B-2820 except with slow close metering cartridges and B-WH4 4" (102 mm) wrist action handles (shown inset, right)

B-2820-PA Same as B-2820 except with pivot action metering cartridge/handles (see page D24)



NEW! Slow Self-Closing Metering Faucet with Temperature Adjustment

B-2760-H Temperature Adjustable Metering Faucet

- 4" centerset lavatory faucet with slow-closing metering/temperature selection
- 0.5 GPM aerator saves water
- Brass, bronze, stainless steel parts with heavy-duty cast brass body
- Blade type handle requires only 5 lbs. pressure to operate
- Adjustable time flow can be set to less than 30 seconds
- Vandal-resistant design
- Easily adjust water temperature by turning handle; closes automatically when released

**New
Water-
Saving
Model**



Slow Self-Closing Metering Faucets



- All models:
- Provide adjustable, timed flow of water
 - ADA compliant
 - Vandal resistant
 - Require less than 5 lbs. operating force to open
 - Remain open for 10 seconds minimum

B-2991 Lavatory Faucet

Easy Install

New Water-Saving Models

- 8" deck-mount EasyInstall concealed widespread faucet
- Slow self-closing metering cartridges with adjustable timed flow
- Hot and cold push button caps with vandal-resistant screws
- 2.2 GPM aerator (B-0199-03)
- 5-1/4" (127 mm) cast basin spout
- 2" (51 mm) clearance from deck to aerator
- 1/2" NPSM inlets with coupling nuts
- Includes spanner bit for vandal-resistant screws



MODEL	CARTRIDGE	HEIGHT	CLEARANCE	SPREAD	OUTLET	GPM	HANDLE	VR	NOTES
B-2991	Metering (Slow self-closing)	3-1/16"	2"	5-1/4"	B-0199-03 aerator	2.2 GPM	Push button (H & C)	Y	
B-2991-P	Metering (Slow self-closing)	3-1/16"	2"	5-1/4"	B-0199-03 aerator	2.2 GPM	Push button (H & C)	Y	Includes pop-up drain (B-0898)
B-2991-PWH4	Metering (Slow self-closing)	4-7/8"	2"	5-1/4"	B-0199-03 aerator	2.2 GPM	4" Wrist Action (B-WH4)	N	Includes pop-up drain (B-0898)
B-2991-VR	Metering (Slow self-closing)	3-1/16"	1-9/16"	5-3/8"	B-0199-08 VR aerator	2.2 GPM	Push button (H & C)	Y	Includes VR key for aerator
B-2991-WS	Metering (Slow self-closing)	3-1/16"	2"	5-1/4"	B-0199-03-WS WaterSense aerator	1.5 GPM	Push button (H & C)	Y	
B-2823-02	Metering (Slow self-closing)	3-1/16"	1-9/16"	5-3/8"	B-0199-03F-05 aerator with flow control	0.5 GPM	Push button (H & C)	Y	

VR Vandal-resistant

Slow Self-Closing Metering Faucets with Wrist Action Handles (-WA)

- All models:
- Provide adjustable, timed flow of water
 - ADA compliant
 - Conserves water
 - Require less than 5 lbs. operating force to open
 - Remain open for 10 seconds minimum



B-0712-WA Wrist Action Metering Faucet

- Single hole single temperature deck-mount basin faucet
- Wrist action metering cartridge
- 4" (102 mm) wrist action handle (B-WH4) with cold index
- 1/2" NPSM male inlet
- Includes tailpiece and nut for 1/4" NPT connection
- 4-1/8" (105 mm) center of faucet to center of outlet
- 7/8" (22 mm) outlet clearance
- 2.2 GPM aerator (B-0199-02)
- Metering cartridge conserves water



B-0831-WA Wrist Action Metering Faucet

- 4" centerset deck-mount mixing faucet
- Wrist action metering cartridges
- 4" (102 mm) wrist action handles (B-WH4) with color coded indexes
- 1/2" NPSM male inlets
- 1-1/2" (38 mm) outlet clearance
- 3-3/4" (95 mm) center of inlets to center of outlet
- 2.2 GPM aerator (B-0199-03)
- Metering cartridges conserve water



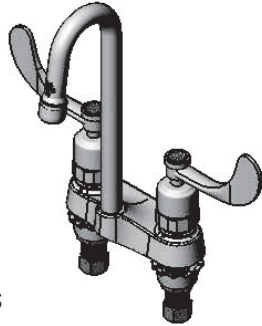
NEW! Slow Self-Closing Metering Faucets with Wrist Action Handles (-WA)

- All models:
- Provide adjustable, timed flow of water
 - ADA compliant
 - Conserves water
 - Require less than 5 lbs. operating force to open
 - Remain open for 10 seconds minimum



B-0892-WA Wrist Action Metering Faucet

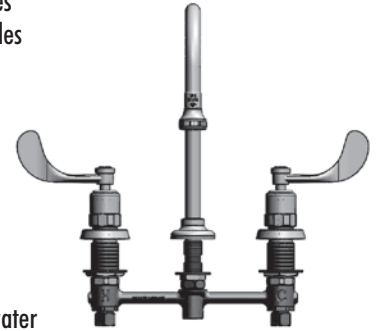
- 4" centerset deck-mount mixing faucet
- Wrist action metering cartridges
- 4" (102 mm) wrist action handles (B-WH4)
- 6-5/8" (168 mm) clearance from deck to aerator
- Rigid gooseneck (005028-40)
- 2.2 GPM aerator (B-0199-01)
- 4-1/16" (103 mm) spread from center of inlets to center of outlet
- 1/2" NPSM male inlets with coupling nuts
- Metering cartridges conserve water



B-2865-04-WA Wrist Action Metering Faucet

- 8" deck-mount EasyInstall concealed widespread faucet
- Wrist action metering cartridges
- 4" (102 mm) wrist action handles (B-WH4)
- 5-1/2" (140 mm) spread rigid gooseneck
- Rosespray outlet (B-0103)
- 5" (127 mm) clearance from deck to face of spray
- 1/2" NPSM male inlets with coupling nuts
- Metering cartridges conserve water

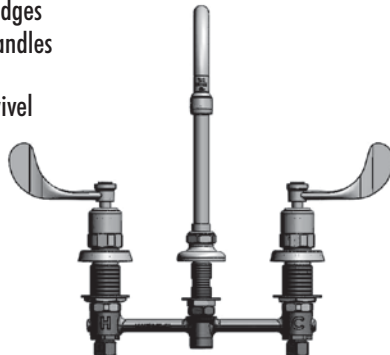
EasyInstall



B-2866-05-WA Wrist Action Metering Faucet

- 8" deck-mount EasyInstall concealed widespread faucet
- Wrist action metering cartridges
- 4" (102 mm) wrist action handles (B-WH4)
- 5-3/4" (146 mm) spread swivel gooseneck
- Includes lock washer for rigid conversion (014200-45)
- 2.2 GPM aerator outlet (B-0199-01)
- 6-1/8" (155 mm) clearance from deck to face of spray
- 1/2" NPSM male inlets with coupling nuts
- Metering cartridges conserve water

EasyInstall



B-2991-WA Wrist Action Metering Faucet

- 8" deck-mount EasyInstall concealed widespread faucet
- 5-1/4" (133 mm) cast basin spout with 2.2 GPM aerator outlet (B-0199-03)
- Wrist action metering cartridges
- 4" (102 mm) wrist action handles (B-WH4)
- Slow self-closing metering cartridges
- 2" (51 mm) clearance from deck to aerator
- 1/2" NPSM male inlets with coupling nuts
- Metering cartridges conserve water

EasyInstall



Looking for Nozzles, Aerators, Goosenecks and Handles?
See Our **NEW Accessories** section in the G-11



Surgical Sink Faucets

- 8" (203 mm) centers with adjustable inlets

- B-WH4 4" wrist action handles

B-0322-04 Surgical Sink Faucet

- 8" deck-mount mixing faucet
- 5-1/2" (140 mm) spread rigid gooseneck
- Rosespray outlet (B-0103)
- 7-11/16" (195 mm) clearance from deck to rosespray outlet
- 4" (102 mm) wrist action handles (B-WH4)
- Eterna compression cartridges
- 1/2" NPT female eccentric flanged inlets (00AA)



B-0322 Same as B-0322-04 except with 6" (152 mm) wrist action handles (B-WH6)

B-0323-04 Same as B-0322-04 except with stream regulator outlet (B-LT)

B-0324-04 Same as B-0322-04 except with 4" (102 mm) centers and stream regulator outlet (B-LT)

B-0330-04 Surgical Sink Faucet

- 8" wall-mount mixing faucet
- 5-1/2" (140 mm) spread rigid gooseneck (120X)
- Stream regulator outlet (B-LT)
- 4" (102 mm) wrist action handles (B-WH4)
- Eterna compression cartridges
- 1/2" NPT female eccentric flanged inlets (00AA)
- 6" (152 mm) clearance to stream regulator outlet

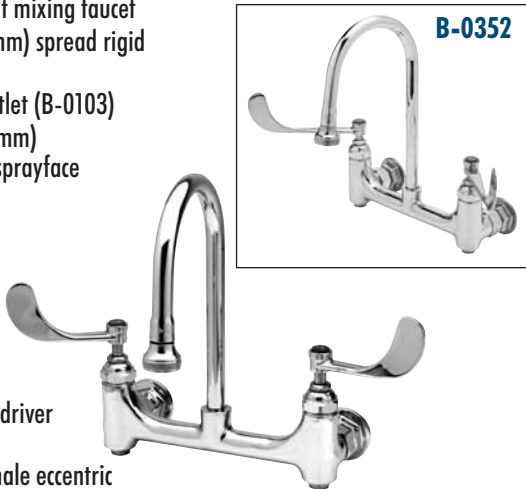


B-0350-04 Same as B-0330-04 except with rosespray outlet (B-0103)

B-0350 Same as B-0350-04 except with 6" (152 mm) wrist action handles

B-0352-04 Surgical Sink Faucet with Built-In Stops

- 8" wall-mount mixing faucet
- 5-1/2" (140 mm) spread rigid gooseneck
- Rosespray outlet (B-0103)
- 4-7/16" (113 mm) clearance to sprayface
- 4" (102 mm) wrist action handles (B-WH4)
- Eterna compression cartridges
- Built-in screwdriver stops
- 1/2" NPT female eccentric flanged inlets (00AA)



B-0353-04 Same as B-0352-04 except with stream regulator outlet (B-LT)

B-0352 Same as B-0352-04 except with 6" (152 mm) wrist action handles (B-WH6)

B-0355-04 Surgical Sink Faucet with Adjustable Inlet and Loose Key Stops

- 8" wall-mount mixing faucet
- 5-1/2" (140 mm) spread rigid gooseneck
- Rosespray outlet (B-0103)
- 5-3/8" (137 mm) clearance to rosespray outlet
- 4" (102 mm) wrist action handles (B-WH4)
- Eterna compression cartridges
- 1/2" NPT female eccentric flanged inlets with screwdriver stop (00XX)
- Adjustable inlets 3-3/4" (95 mm) to 12-3/4" (319 mm)



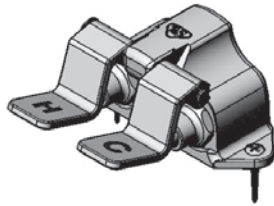
Pedal Valves

Note: Pedal valves with metering cartridges recommended for use with higher water pressures or when hammer arrestors are not used.

- All models have:
- Self closing valve
 - 1/2" NPT inlet and outlet
 - Extended pedals (wall mounted models)
 - Pedals flip up and stay up for cleaning (wall mounted models)

B-0502 Double Pedal Valve, Floor Mounted

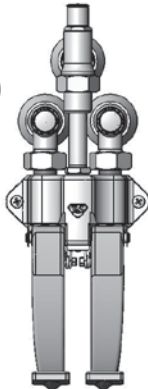
- Inlets on 2-7/16" (62 mm) centers
- 1" (25 mm) from floor to center of inlets
- 1/2" NPT female inlets and outlets
- Furnished with two wood mounting screws



B-0502-LKS Same as B-0502 except with loose key stops
B-0502-SL Same as B-0502 except with slow-close metering cartridges

B-0504-01 Double Pedal Valve, Wall Mounted

- Inlets on 2-7/16" (62 mm) centers
- 1" (25 mm) from wall to center of inlets
- Wall to pedal tips approximately 13-3/4" (349 mm)
- Angle loose key stops with 1/2" NPT female inlets (B-1350)
- Top mounted loose key angle volume control with 3/8" NPT female outlet (B-1355)



B-0504-02 Same as B-0504-01 except with loose key straight volume control with 1/2" NPT female outlet (B-0416)

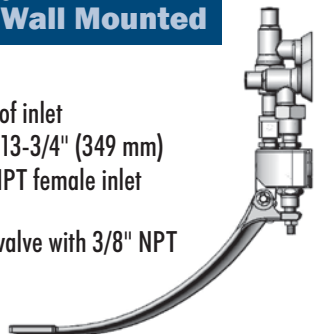
B-0507 Single Pedal Valve, Floor Mounted

- For hot or cold water
- 1" (25 mm) from floor to center of inlets
- 1/2" NPT female inlet and outlet
- Furnished with two wood mounting screws



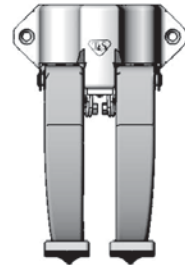
B-0508-01 Single Pedal Valve, Wall Mounted

- For hot or cold water
- 1" (25 mm) from wall to center of inlet
- Wall to pedal tip approximately 13-3/4" (349 mm)
- Angle loose key stop with 1/2" NPT female inlet (B-1351)
- Angle loose key volume control valve with 3/8" NPT female outlet (B-1355)



B-0504 Double Pedal Valve, Wall Mounted

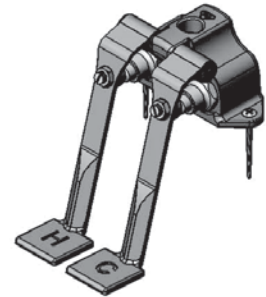
- Inlets on 2-7/16" (62 mm) centers
- 1" (25 mm) from wall to center of outlets
- Wall to pedal tips approximately 13-3/4" (349 mm)
- 1/2" NPT female inlets and outlets
- Furnished with two wood mounting screws



B-0504-LKS Same as B-0504 except with straight loose key stops
B-0504-SL Same as B-0504 except with metering cartridges
B-0504-03 Same as B-0504 except with loose key angle stops
B-0504-03SL Same as B-0504-03 except with metering cartridges

B-0505 Double Pedal Valve, Ledge Mounted

- Inlets on 2-7/16" (62 mm) centers
- Polish chrome plated
- 1/2" NPT female inlets and outlets
- Furnished with two wood mounting screws

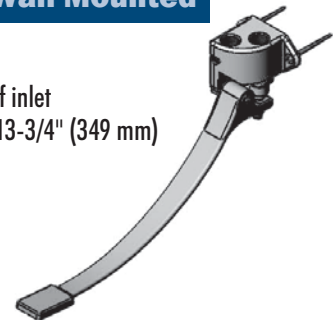


B-0505-SL Same as B-0505 except with metering cartridges

B-0508 Single Pedal Valve, Wall Mounted

- For hot or cold water
- 1" (25 mm) from wall to center of inlet
- Wall to pedal tip approximately 13-3/4" (349 mm)
- 1/2" NPT female inlet and outlet

B-0508-LKS Same as B-0508 except with straight loose key stop; see page D33



B-2464 Single Pedal Valve & Rigid Gooseneck Spout

- Single pedal valve (B-0507)
- 5-1/2" rigid gooseneck
- Rosespray outlet (B-0103)
- Rigid deck flange with 1/2" NPSM male inlet
- Includes tailpiece and nut for 1/4" NPT connection (150A)

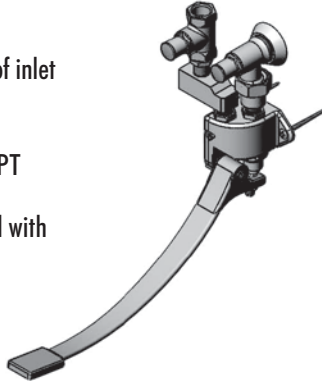


Pedal Valves

- All models have:
- Self closing valve
 - 1/2" NPT inlet and outlet
 - Extended pedals (wall mounted models)
 - Pedals flip up and stay up for cleaning (wall mounted models)

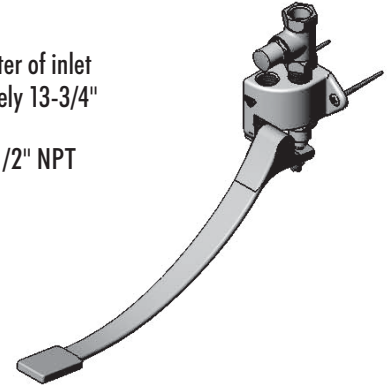
B-0508-02 Single Pedal Valve, Wall Mounted

- For hot or cold water
- 1" (25 mm) from wall to center of inlet
- Wall to pedal tip approximately 13-3/4" (349 mm)
- Angle loose key stop with 1/2" NPT female inlet (B-1351)
- Straight loose key volume control with 1/2" NPT female outlet (B-0416)



B-0508-LKS Single Pedal Valve, Wall Mounted

- For hot or cold water
- 1" (25 mm) from wall to center of inlet
- Wall to pedal tip approximately 13-3/4" (349 mm)
- Straight loose key stop with 1/2" NPT female inlet (B-0416)



Knee Valves

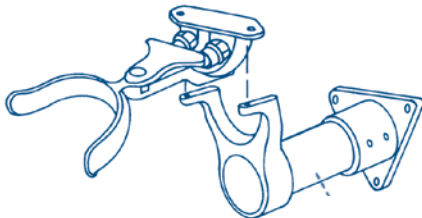
- All models:
- Feed water automatically
 - Provide sensitive, variable flow control for water conservation

B-0473 Wall Support for Knee Action Valve

- All aluminum, fastens to wall and supports valve body of knee action valve
- Approximately 12" (305 mm) from wall to valve body mounting holes
- 3-1/4" (83 mm) of knee stirrup extends in front of 20" (508 mm) back to front basin
- Can be shortened by cutting aluminum pipe



B-0473 Wall Bracket with B-0475 Knee Valve



B-0475 Knee Action Valve

- Heavy duty cam acting stirrup
- Valve will remain in set position for hot, cold or mixed water
- 1/2" NPT female inlets
- 2-7/16" (62 mm) centers
- 1/2" NPT female outlet



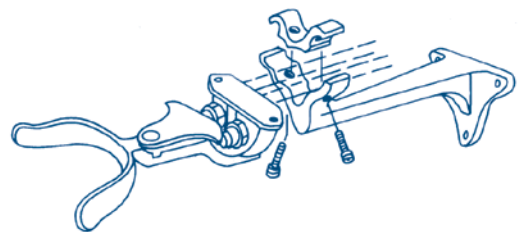
B-0475-LKS Same as B-0475 except with 1/2" NPT straight loose key stops (B-0416)

B-0474 Wall Support for Knee Action Valve

- Cast aluminum
- Approximately 11-1/2" (292 mm) from wall to front
- For installation where knee action valve cannot be fastened to horizontal sink support bar
- Bracket supports 1/2" inlet pipes



B-0474 Wall Bracket with B-0475 Knee Valve



B-0509 Double Knee Pedal Valve

- Inlets on 2-7/16" (62 mm) centers
- Pedals 6-1/4" (159 mm) long
- Furnished with two wood mounting screws



Dummy Goosenecks - Rigid

B-0520 Rigid Gooseneck Spout

- Deck-mount
- 5-1/2" (140 mm) rigid gooseneck (120X)
- Stream regulator outlet (B-LT)
- 10-5/8" (270 mm) high from deck to top of gooseneck
- 5-1/8" (130 mm) clearance from deck to stream regulator outlet
- 1-11/16" (43 mm) dia. rigid deck flange with 1/2" NPSM male inlet
- Mounting nut and washer
- Includes (150A) tailpiece and nut for 1/4" NPT connection



SERIES 2 OUTLETS

MODEL	HEIGHT	CLEARANCE	SPREAD	OUTLET	GPM	VR	NOTES
B-0520	10-5/8"	5-5/8"	5-1/2"	B-LT stream regulator	—	N	120X gooseneck
B-0520-01	5-5/16"	2"	2-3/4"	B-LT stream regulator	—	N	
B-0520-02	13"	7-3/8"	5-9/16"	B-0103 rosespray	—	N	123X gooseneck
B-0521	10-11/16"	5-5/16"	5-9/16"	B-0199-02 aerator	2.2 GPM	N	
B-0522	10-1/4"	4-7/16"	5-1/2"	B-0103 rosespray	—	N	
B-0523	12-1/4"	6-3/4"	5-1/2"	B-0199-02 aerator	2.2 GPM	N	122X gooseneck
B-0524	12-1/4"	6-7/16"	5-9/16"	B-0103 rosespray	—	N	122X gooseneck

VR Vandal-resistant

B-0520-F Series Rigid Gooseneck Spout

- Deck-mount
- 5-1/2" (140 mm) rigid gooseneck (120X)
- Stream regulator outlet (B-LT)
- Flow control option in shank; **specify desired flow from chart**
- 1-11/16" (43 mm) dia. rigid deck flange with 1/2" NPSM male inlet
- Includes (150A) tailpiece and nut for 1/4" NPT connection

B-0520-F Flow Control Models:

Flow (GPM)	Suffix	Specify
.25	-03	B-0520-F03
.40	-05	B-0520-F05
.70	-07	B-0520-F07
.90	-10	B-0520-F10
1.20	-12	B-0520-F12
1.40	-15	B-0520-F15
2.0	-20	B-0520-F20



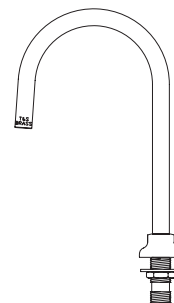
SERIES 2 OUTLETS

B-0520-F1 Series Rigid Gooseneck Spout

- Deck-mount
- 5-1/2" (140 mm) plain end rigid gooseneck (120XP)
- Plain end spout, laminar flow, no threaded outlet
- Flow control option in shank; **specify desired flow from chart**
- 1-11/16" (43 mm) dia. rigid deck flange with 1/2" NPSM male inlet
- Includes (150A) tailpiece and nut for 1/4" NPT connection

B-0520-F1 Flow Control Models:

Flow (GPM)	Suffix	Specify
.25	-03	B-0520-F1-03
.40	-05	B-0520-F1-05
.70	-07	B-0520-F1-07
.90	-10	B-0520-F1-10
1.20	-12	B-0520-F1-12
1.40	-15	B-0520-F1-15
2.0	-20	B-0520-F1-20

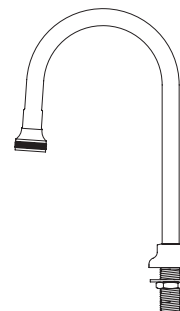


B-0522-F Series Rigid Gooseneck Spout

- Deck-mount
- 5-9/16" (141 mm) rigid gooseneck
- Rosespray outlet (B-0103)
- Flow control option in shank; **specify desired flow from chart**
- 1-11/16" (43 mm) dia. rigid deck flange with 1/2" NPSM male inlet
- Includes (150A) tailpiece and nut for 1/4" NPT connection

B-0522-F Flow Control Models:

Flow (GPM)	Suffix	Specify
.25	-03	B-0522-F03
.40	-05	B-0522-F05
.70	-07	B-0522-F07
.90	-10	B-0522-F10
1.20	-12	B-0522-F12
1.40	-15	B-0522-F15
2.0	-20	B-0522-F20



Dummy Goosenecks - Rigid and Swivel

B-0535 Rigid Gooseneck Spout

- Wall-mount
- 3/8" NPT female inlet with 2" (51 mm) dia. flange
- 5-9/16" (141 mm) rigid spread gooseneck
- Rosespray outlet (B-0103)
- 10-3/4" (273 mm) to top of gooseneck
- 5-1/8" (130 mm) clearance from center line of inlet to outlet of rosespray
- 7-13/16" (198 mm) from wall to outlet of rosespray



B-0536 Rigid Gooseneck Spout

- Wall-mount
- 1/2" NPT female inlet with 2" (51 mm) dia. flange
- 5-9/16" (141 mm) rigid spread gooseneck
- Rosespray outlet (B-0103)
- 10-5/8" (270 mm) to top of gooseneck
- 4-15/16" (125 mm) clearance from center of inlet to rosespray
- 7-13/16" (198 mm) from wall to outlet of rosespray



B-0525 Swivel Goosenecks and Swing Spouts

- 3/8" NPT female inlet
- B-PT stream regulator outlet
- Adjustable 2" (51 mm) wall flange
- 5-11/16" (145 mm) spread swivel gooseneck (133X)
- 10-5/8" (270 mm) to top of gooseneck
- 6-1/2" (165 mm) clearance from center of inlet to stream regulator



MODEL	HEIGHT	CLEARANCE	SPREAD	OUTLET	GPM	VR	NOTES
SWING SPOUTS (shown above, right)							
B-0526-2	5-5/16"	2-9/16"	6"	B-PT stream regulator	—	N	059X swing nozzle
B-0526-3	5-13/16"	3"	8"	B-PT stream regulator	—	N	060X swing nozzle
B-0526-4	5-13/16"	3-3/4"	10"	B-PT stream regulator	—	N	061X swing nozzle
B-0526-5	6-5/8"	3-3/4"	12"	B-PT stream regulator	—	N	062X swing nozzle
B-0526-16	8-7/8"	6-1/8"	16"	B-PT stream regulator	—	N	064X swing nozzle
SWIVEL GOOSENECKS (shown above, left)							
B-0525	10-5/8"	6-1/2"	5-11/16"	B-PT stream regulator	—	N	133X gooseneck
B-0527	10-1/2"	6-1/8"	5-3/4"	B-0199-01 aerator	2.2 GPM	N	133X-AER gooseneck
B-0528	10-1/2"	5-11/16"	5-3/4"	B-0103-01 rosespray	—	N	

B-0529 Swivel Gooseneck Spout

- Wall-mount
- 3/8" NPT female inlet
- Adjustable 2" (51 mm) dia. wall flange
- 2-15/16" (75 mm) spread swivel gooseneck
- 2.2 GPM aerator (B-0199-01)
- 4-15/16" (125 mm) to top of gooseneck
- 2-3/8" (60 mm) clearance from center of inlet to aerator



B-0529-01 Swivel Gooseneck Spout

- Wall-mount
- 3/8" NPT female inlet
- Adjustable 2" (51 mm) dia. wall flange
- 2-5/8" (67mm) spread swivel gooseneck (132X)
- B-LT stream regulator
- 5-13/16" (148 mm) clearance from center line of inlet to outlet of stream regulator
- 9-5/16" (236 mm) to top of gooseneck



Dummy Goosenecks - Swivel

B-0545-F Series Swivel Gooseneck Spout

- Deck-mount
- 5-11/16" (144 mm) plain end swivel gooseneck (133XP)
- Plain end spout, laminar flow, no threaded outlet
- Flow control in shank; **specify desired flow from chart**
- 10-5/8" (270 mm) high from deck to top of gooseneck
- 6-5/8" (170 mm) clearance from deck to stream regulator outlet
- 1-3/4" (44 mm) dia. swivel deck flange with 1/2" NPSM male inlet
- Mounting nut and washer
- Includes (150A) tailpiece and nut for 1/4" NPT connection

B-0545-F Flow Control Models:

Flow (GPM)	Suffix	Specify
.25	-03	B-0545-F03
.40	-05	B-0545-F05
.70	-07	B-0545-F07
.90	-10	B-0545-F10
1.20	-12	B-0545-F12
1.40	-15	B-0545-F15
2.0	-20	B-0545-F20



MODEL	HEIGHT	CLEARANCE	SPREAD	OUTLET	GPM	VR	NOTES
B-0545-F15-LW	10-5/8"	6-5/8"	5-11/16"	Plain end spout (133XP)	1.40 GPM	N	Swivel gooseneck converts to rigid with furnished lock washer (014200-45)

VR Vandal-resistant

B-0546 Swivel Gooseneck Spout

- Deck-mount
- 5-3/4" (145 mm) swivel gooseneck (133X-LAM)
- 2.2 GPM laminar flow outlet (B-0199-21)
- 10-5/8" (270 mm) high from deck to top of gooseneck
- 6-3/16" (157 mm) clearance from deck to outlet
- 1-3/4" (44 mm) dia. swivel deck flange with 1/2" NPSM male inlet (B-0431)
- Mounting nut and washer
- Includes (150A) tailpiece and nut for 1/4" NPT connection



B-0546-133X B-0546-133X-AER B-0546-133XLF15

MODEL	HEIGHT	CLEARANCE	SPREAD	OUTLET	GPM	VR	NOTES
B-0546	10-5/8"	6-3/16"	5-3/4"	B-0199-21 Laminar flow device	2.2 GPM	N	
B-0546-133X	10-5/8"	6-5/8"	5-11/16"	B-PT stream regulator	—	N	133X gooseneck; swivel gooseneck converts to rigid with furnished lock washer (014200-45)
B-0546-133X-AER	10-5/8"	6-1/8"	5-3/4"	B-0199-01 aerator	2.2 GPM	N	133X-AER swivel gooseneck; swivel gooseneck converts to rigid with furnished lock washer (014200-45)
B-0546-133XLF15	10-9/16"	6-1/8"	5-3/4"	B-0199-29 laminar flow device	1.50 GPM	N	Swivel gooseneck converts to rigid with furnished lock washer (014200-45)

VR Vandal-resistant

Bubblers

Antimicrobial Handles Available

B-2360 Bubbler



- Polished chrome plated bubbler
- Flexible mouth guard
- Fast self-closing cartridge with lever handle and vandal-resistant screw
- Hidden flow control
- 1/2" NPSM shank and coupling nut
- Threaded holes on bottom flange accept anti-rotation pins



B-2360-01-PA Bubbler with Pivot Action Metering Valve

- Polished chrome plated bubbler
- Pivot action metering cartridge
- Flexible mouth guard
- Hidden flow control
- 1/2" NPSM shank and coupling nut
- Threaded holes on bottom flange accept anti-rotation pins



B-2360-02 Same as B-2360 except with removable anti-rotation pins and forged brass mouth guard

B-2360-03 Same as B-2360 except with forged brass mouth guard and push-button metering cartridge and removable anti-rotation pins

B-2360-04 Same as B-2360-02 except with 3" x 4" backing plate

B-2360-01-AR Same as B-2360 except with push button metering handle and anti-rotation pins

B-2360-AR Same as B-2360 except with anti-rotation pins

B-2360-01 Bubbler

- Flexible mouth guard
- Push-button metering cartridge
- Hidden flow control
- 1/2" NPSM shank and coupling nut
- Threaded holes on bottom flange accept anti-rotation pins



Bubblers with Water Filtration

NEW! T&S Glass Fillers, Bubblers and Water Stations with Everpure water filtration system

- Provides filtered tap water to ensure good-tasting, odor-free and contaminant-free water in your facility

NEW Bubbler Models!

B-2360-WFK Bubbler with Water Filtration

B-2360 Bubbler with:

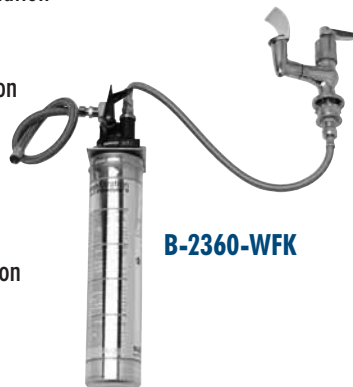
- Flexible mouth guard
- Fast self-closing cartridge with lever handle and vandal-resistant screw
- Hidden flow control
- 1/2" NPSM shank and coupling nut
- Threaded holes on bottom flange accept anti-rotation pins (not included)



Water Filtration:

Includes B-WFK docking station, filter cartridge and all necessary installation components:

- (1) 3/8" street elbow (148X)
- (2) 3/8" NPT x 3/8" compression male adapters (006101-45)
- (1) 20" stainless steel braided inlet hose 3/8" compression (013146-45)
- (1) 18" stainless steel braided connector hose 3/8" compression x 1/2" NPSM (5EF-0005)
- (2) mounting screws



B-2360-WFK

B-2360-01-WFK Bubbler with Water Filtration

B-2360-01 Bubbler with:

- Flexible mouth guard
- Push-button metering cartridge
- Hidden flow control
- 1/2" NPSM shank and coupling nut
- Threaded holes on bottom flange accept anti-rotation pins (not included)



Water Filtration:

Includes B-WFK docking station, filter cartridge and all necessary installation components:

- (1) 3/8" street elbow (148X)
- (2) 3/8" NPT x 3/8" compression male adapters (006101-45)
- (1) 20" stainless steel braided inlet hose 3/8" compression (013146-45)
- (1) 18" stainless steel braided connector hose 3/8" compression x 1/2" NPSM (5EF-0005)
- (2) mounting screws



B-2360-01-WFK



Service Sink Faucets

- Built-in screwdriver stops (on select models) allow water shut-off for maintenance on faucet, such as removal and replacing Eterna cartridges
- Internal spring checks (on select models) prevent crossflow and back flow of water

B-0650-BSTP Service Sink Faucet

- 8" wall-mount service sink faucet
- Built-in screwdriver stops in body
- Polished chrome plated finish
- Eterna cartridges with spring checks
- Lever handles with color coded indexes
- Plain end spout with pail hook
- 5-7/16" (138 mm) clearance wall to center line of faucet
- 12-7/16" (316 mm) from wall to center of outlet
- Lower wall support with mounting screws
- 1/2" NPT female eccentric flanged inlets with extensions (B-0441)



MODEL	OUTLET	CLEARANCE WALL TO FAUCET	WALL TO OUTLET	HANDLE	INLET FLANGES	FINISH	NOTES
B-0650-BSTP	Plain end spout	5-7/16"	12-1/16"	Lever	1/2" NPT female eccentric flanged inlets w/ extensions (B-0441)	Polished chrome	Built-in stops
B-0650-01	Plain end spout	—	9-7/16"	6" Wrist-Action	1/2" NPT female adj. arm w/ screwdriver stops (00XX)	Polished chrome	
B-0650-02	Plain end spout	5-1/8"	14-15/16"	6" Wrist-Action	1/2" NPT female adj. arm w/ screwdriver stops (00XX)	Polished chrome	(2) 2-3/4" long inlet extensions (000610-25)
B-0650-BSTR	Plain end spout	5-7/16"	12-1/8"	Lever	1/2" NPT female eccentric flanged inlets w/ extensions (B-0441)	Rough chrome	Integral stops; built-in inlets
B-0650-POL	Plain end spout	5-1/8"	11-7/8"	Lever	1/2" NPT female eccentric flanged inlets w/ extensions (B-0441)	Polished chrome	Built-in stops
B-0650-RGH	Plain end spout	5-1/8"	11-7/8"	Lever	1/2" NPT female eccentric flanged inlets w/ extensions (B-0441)	Rough chrome	

B-0651-POL Service Sink Faucet

- 8" wall-mount service sink faucet
- Polished chrome plated finish
- Eterna cartridges with spring checks
- Lever handles with color coded indexes
- Plain end spout with pail hook
- 5-1/8" (130 mm) clearance from wall to center line of faucet
- 11-13/16" (300 mm) from wall to center of outlet
- Lower wall support with mounting screws
- 1/2" NPT female inlets with loose key stops and extensions (00JJ-XT)



MODEL	OUTLET	CLEARANCE WALL TO FAUCET	WALL TO OUTLET	HANDLE	INLET FLANGES	FINISH	NOTES
B-0651-POL	Plain end spout	5-1/8"	11-13/16"	Lever	1/2" NPT female inlets w/loose key stops and extensions (00JJ-XT)	Polished chrome	
B-0651-06	Plain end spout	5-1/8"	11-13/16"	6" Wrist-Action	1/2" NPT female inlets w/loose key stops and extensions (00JJ-XT)	Polished chrome	
B-0362	3/4" Garden hose	6-1/8"	14-3/8"	6" Wrist-Action	1/2" NPT female w/ loose key stop and extension	Polished chrome	Integral supply stops; extended inlets; extended spout
B-0651-RGH	Plain end spout	5-1/8"	11-13/16"	Lever	1/2" NPT female inlets w/loose key stops and extensions (00JJ-XT)	Rough chrome	



Service Sink Faucets

B-0655-01 Service Sink Faucet

- 8" wall-mount service sink faucet
- Polished chrome plated finish
- Eterna cartridges with spring checks
- 6" (152 mm) wrist-action handles with color coded indexes
- Atmospheric vacuum breaker spout with 3/4" garden hose male thread and pail hook
- 9-3/16" (233 mm) from wall to center of outlet
- Lower wall support with mounting screws
- 1/2" NPT female adjustable arm inlets with screwdriver stops (00XX)



MODEL	OUTLET	CLEARANCE WALL TO FAUCET	WALL TO OUTLET	HANDLE	INLET FLANGES	FINISH	NOTES
B-0655-01	3/4" Garden hose	2-3/4"	9-3/16"	6" Wrist-Action	1/2" NPT female adj. arm w/ screwdriver stops (00XX)	Polished chrome	Integral supply stops; 1/2" NPT vacuum breaker (B-0969)
B-0655-02	3/4" Garden hose	8-1/4"	14-11/16"	6" Wrist-Action	Extended 1/2" NPT female adj. arm w/ screwdriver stops	Polished chrome	Integral supply stops; 1/2" NPT vacuum breaker (B-0969); extended inlets
B-0655-03	3/4" Garden hose	5-1/2"	11-15/16"	6" Wrist-Action	Extended 1/2" NPT female adj. arm w/ screwdriver stops	Polished chrome	Integral supply stops; 1/2" NPT vacuum breaker (B-0969); extended inlets
B-0655-04	3/4" Garden hose	8-1/4"	14-11/16"	6" Wrist-Action	Extended 1/2" NPT female adj. arm w/ screwdriver stops	Polished chrome	Upper wall support rod; 1/2" NPT vacuum breaker (B-0969); extended inlets
B-0652	Plain end spout	9-1/2"	15-15/16"	6" Wrist-Action	Extended 1/2" NPT female adj. arm w/ screwdriver stops	Polished chrome	Integral supply stops; extended inlets

B-0655-BSTP Service Sink Faucet

- 8" wall-mount service sink faucet
- Polished chrome plated finish
- Eterna cartridges with spring checks
- Lever handles with color coded indexes
- Atmospheric vacuum breaker spout with 3/4" garden hose male thread and pail hook
- 5-7/16" (138 mm) clearance from wall to center line of faucet
- 11-7/8" (302 mm) from wall to center of outlet
- Lower wall support with mounting screws
- 1/2" NPT female eccentric flanged inlets with extensions (B-0441)



MODEL	OUTLET	CLEARANCE WALL TO FAUCET	WALL TO OUTLET	HANDLE	INLET FLANGES	FINISH	NOTES
B-0655-BSTP	3/4" Garden hose	5-7/16"	11-7/8"	Lever	1/2" NPT female eccentric flanged inlets w/ extensions (B-0441)	Polished chrome	Built-in stops; 1/2" NPT atmospheric vacuum breaker (B-0969)
B-0655-BSTP-CR	3/4" Garden hose	5-7/16"	11-7/8"	Lever	1/2" NPT female eccentric flanged inlets w/ extensions (B-0441)	Polished chrome	Cerama cartridges w/check valves; built-in stops; 1/2" NPT atmospheric vacuum breaker (B-0969)
B-0655-BSTR	3/4" Garden hose	5-7/16"	11-7/8"	Lever	1/2" NPT female eccentric flanged inlets w/ extensions (B-0441)	Rough chrome	1/2" NPT atmospheric vacuum breaker (B-0969)
B-0655-POL	3/4" Garden hose	5-1/8"	11-5/8"	Lever	1/2" NPT female eccentric flanged inlets w/ extensions (B-0441)	Polished chrome	1/2" NPT atmospheric vacuum breaker (B-0969)
B-0655-RGH	3/4" Garden hose	5-1/8"	11-5/8"	Lever	1/2" NPT female eccentric flanged inlets w/ extensions (B-0441)	Rough chrome	1/2" NPT atmospheric vacuum breaker (B-0969)
B-0656-POL	3/4" Garden hose	5-1/8"	11-9/16"	Lever	1/2" NPT female inlets w/ loose key stops & extensions (00JJ-XT)	Polished chrome	1/2" NPT atmospheric vacuum breaker (B-0969)
B-0656-RGH	3/4" Garden hose	5-1/8"	11-9/16"	Lever	1/2" NPT female inlets w/ loose key stops & extensions (00JJ-XT)	Rough chrome	1/2" NPT atmospheric vacuum breaker (B-0969)



Service Sink Faucets

B-0657 Service Sink Faucet

- 8" wall-mount service sink faucet
- Polished chrome plated finish
- Eterna cartridges with spring checks
- B-WH6 6" (152 mm) wrist-action handles with color coded indexes
- Atmospheric vacuum breaker spout with 3/4" garden hose male thread and pail hook
- 5-1/8" (130 mm) clearance from wall to center line of faucet
- 11-9/16" (294 mm) from wall to center of outlet
- 1/2" NPT female inlets with loose key stops and extensions (00JJ-XT)
- Lower wall support with mounting screws



B-0657-01 Same as B-0657 except with upper wall support

B-0657-BST Same as B-0657 except with 1/2" NPT female eccentric inlets with extensions and built-in stops in body

B-0660-POL Service Sink Faucet

- 8" wall-mount service sink faucet
- Polished chrome plated finish
- Eterna cartridges with spring checks
- Lever handles with color coded indexes
- Spout with plain outlet and pail hook
- 9-1/8" (231 mm) from wall to center of outlet
- Upper wall support with mounting screws
- 2-3/8" (60 mm) from wall to center line of faucet
- 1/2" NPT female eccentric flanged inlets (00AA)



MODEL	OUTLET	CLEARANCE WALL TO FAUCET	WALL TO OUTLET	HANDLE	INLET FLANGES	FINISH	NOTES
B-0660-POL	Plain	2-3/8"	9"	Lever	1/2" NPT female eccentric (00AA)	Polished chrome	
B-0660-BSTP	Plain	2-5/8"	9-3/8"	Lever	1/2" NPT female eccentric (00AA)	Polished chrome	Integral stops in faucet body
B-0660-BSTR	Plain	2-5/8"	9-3/8"	Lever	1/2" NPT female eccentric (00AA)	Rough chrome	Integral stops in faucet body
B-0660-RGH	Plain	2-3/8"	9"	Lever	1/2" NPT female eccentric (00AA)	Rough chrome	
B-0661-POL	Plain	3-3/8"	10-1/8"	Lever	1/2" NPT female w/loose key stops (00JJ)	Polished chrome	
B-0661-RGH	Plain	3-3/8"	10-1/8"	Lever	1/2" NPT female w/loose key stops (00JJ)	Rough chrome	

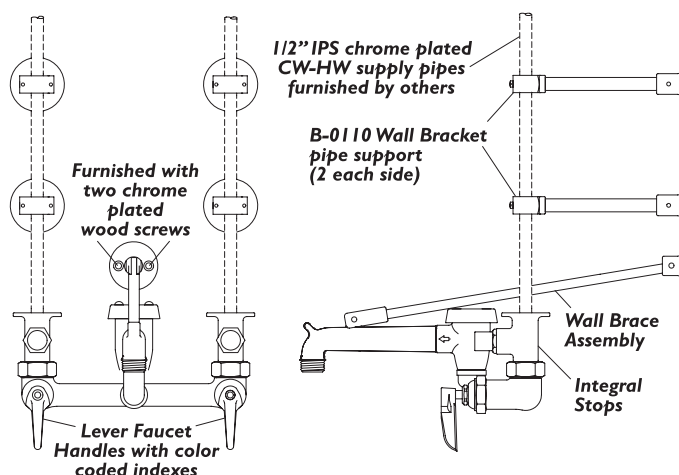


Service Sink Faucets

- Built-in screwdriver stops (on select models) allow water shut-off for maintenance on faucet, such as removal and replacing Eterna cartridges
- Internal spring checks (on select models) prevent crossflow and back flow of water

B-0662 Service Sink Faucet with Ceiling Supply

- 8" wall supported ceiling mount service sink faucet
- Polished chrome plated finish
- Designed for exposed ceiling supply lines
- Eterna cartridges with spring checks
- Lever handles with color coded indexes
- Atmospheric vacuum breaker spout with 3/4" garden hose male thread and pail hook
- 1/2" NPT female inlets with integral supply stops (00JJ)
- Includes four (B-0110) pipe supports for ceiling supplies
- Upper wall support with mounting screws
- 1/2" supply pipes supplied by others



B-0664 Service Sink Faucet

- 8" wall-mount service sink faucet
- Polished chrome plated finish
- Eterna cartridges with spring checks
- 6" wrist action handles (B-WH6) with color coded indexes
- Spout with 3/4" garden hose male threads outlet and pail hook
- 9-1/2" (241 mm) from wall to center of outlet
- 3-3/8" (86 mm) from wall to center of faucet
- Lower wall support with mounting screws
- 1/2" NPT female inlets with loose key supply stops (00JJ)



MODEL	OUTLET	CLEARANCE WALL TO FAUCET	WALL TO OUTLET	HANDLE	INLET FLANGES	FINISH	NOTES
B-0664	3/4" Garden hose thread	3-3/8"	9-7/8"	6" Wrist-Action	1/2" NPT female inlets w/ loose key supply stops (00JJ)	Polished chrome	Lower wall support
B-0664-01	Plain end	7-7/8"	14-3/16"	6" Wrist-Action	1/2" NPT female inlets w/ loose key supply stops and extensions (00JJ-XT)	Polished chrome	Lower wall support
B-0664-02	Plain end	5-1/8"	11-5/8"	6" Wrist-Action	1/2" NPT female inlets w/ loose key supply stops and extensions (00JJ-XT)	Polished chrome	Lower wall support
B-0664-03	3/4" Garden hose thread	7-7/8"	14"	4" Wrist-Action	1/2" NPT female inlets w/ loose key supply stops and extensions (00JJ-XT)	Polished chrome	B-0969 1/2" vacuum breaker; split ring bottom support adjustable clamp assembly fastens to 1-1/2" O.D. flush tube
B-0664-05	3/4" Garden hose thread	7-7/8"	14"	6" Wrist-Action	1/2" NPT female inlets w/ loose key supply stops and extensions (00JJ-XT)	Polished chrome	B-0969 1/2" vacuum breaker; split ring top support adjustable clamp assembly fastens to 1-1/2" O.D. flush tube



Service Sink Faucets

- Built-in screwdriver stops (on select models) allow water shut-off for maintenance on faucet, such as removal and replacing Eterna cartridges
- Internal spring checks (on select models) prevent crossflow and back flow of water

B-0665-BSTP Service Sink Faucet

- 8" wall-mount service sink faucet
- Polished chrome plated finish
- Eterna cartridges with spring checks
- Lever handles with color coded indexes
- Built in screwdriver stops
- Atmospheric vacuum breaker spout with 3/4" garden hose male thread and pail hook
- Upper wall support with mounting screws
- 2-11/16" (68 mm) clearance from wall to center line of faucet
- 9-1/8" (232 mm) from wall to center of outlet
- 1/2" NPT female eccentric flanged inlets (00AA)



MODEL	OUTLET	CLEARANCE WALL TO FAUCET	WALL TO OUTLET	HANDLE	INLET FLANGES	FINISH	NOTES
B-0665-BSTP	3/4" Garden hose male	2-11/16"	9-1/8"	Lever	1/2" NPT female eccentric (00AA)	Polished chrome	1/2" NPT atmospheric vacuum breaker (B-0969); built-in stops
B-0665-BSTP-963	3/4" Garden hose male	2-11/16"	11-1/4"	Lever	1/2" NPT female eccentric (00AA)	Polished chrome	1/2" NPT vacuum breaker (B-0963); built-in stops
B-0665-BSTP-CVB	3/4" Garden hose male	2-11/16"	8-7/8"	Lever	1/2" NPT female eccentric (00AA)	Polished chrome	Dual check valve vacuum breaker (B-0975); built-in stops
B-0665-BSTP-VRS	3/4" Garden hose male	2-11/16"	9-1/8"	Lever	1/2" NPT female eccentric (00AA)	Polished chrome	Vandal-resistant screws on handles (VRS-1); built-in stops
B-0665-BSTPM	3/4" Garden hose male	2-11/16"	9-1/8"	Lever	1/2" NPT female eccentric (00AA)	Polished chrome	B-0665-BSTP Master carton of 6
B-0665-BSTPM24	3/4" Garden hose male	2-11/16"	9-1/8"	Lever	1/2" NPT female eccentric (00AA)	Polished chrome	B-0665-BSTP Master carton of 24
B-0665-BSTR	3/4" Garden hose male	2-11/16"	9-1/8"	Lever	1/2" NPT female eccentric (00AA)	Rough chrome	1/2" NPT atmospheric vacuum breaker (B-0969); built-in stops
B-0665-BSTR-963	3/4" Garden hose male	2-11/16"	11-1/4"	Lever	1/2" NPT female eccentric (00AA)	Rough chrome	1/2" NPT vacuum breaker (B-0963); built-in stops
B-0665-BSTR-CVB	3/4" Garden hose male	2-11/16"	8-7/8"	Lever	1/2" NPT female eccentric (00AA)	Rough chrome	Dual check valve vacuum breaker (B-0975); built-in stops
B-0665-BSTRM	3/4" Garden hose male	2-11/16"	9-1/8"	Lever	1/2" NPT female eccentric (00AA)	Rough chrome	B-0665-BSTR Master carton of 6
B-0665-BSTRM12	3/4" Garden hose male	2-11/16"	9-1/8"	Lever	1/2" NPT female eccentric (00AA)	Rough chrome	B-0665-BSTR Master carton of 12
B-0665-BSTRM24	3/4" Garden hose male	2-11/16"	9-1/8"	Lever	1/2" NPT female eccentric (00AA)	Rough chrome	B-0665-BSTR Master carton of 24
B-0665-CR-BSTR	3/4" Garden hose male	2-11/16"	9-1/8"	Lever	1/2" NPT female eccentric (00AA)	Rough chrome	Ceramic cartridges w/check valves; 1/2" NPT atmospheric vacuum breaker (B-0969); built-in stops
B-0665-CR-POL	3/4" Garden hose male	2-3/8"	8-7/8"	Lever	1/2" NPT female eccentric (00AA)	Polished chrome	Ceramic cartridges; 1/2" NPT atmospheric vacuum breaker (B-0969)
B-0665-POL	3/4" Garden hose male	2-3/8"	8-7/8"	Lever	1/2" NPT female eccentric (00AA)	Polished chrome	1/2" NPT atmospheric vacuum breaker (B-0969)
B-0665-RGH	3/4" Garden hose male	2-3/8"	8-7/8"	Lever	1/2" NPT female eccentric (00AA)	Rough chrome	1/2" NPT atmospheric vacuum breaker (B-0969)

Chart cont. next page



Service Sink Faucets

- Built-in screwdriver stops (on select models) allow water shut-off for maintenance on faucet, such as removal and replacing Eterna cartridges
- Internal spring checks (on select models) prevent crossflow and back flow of water

B-0665-BSTP Service Sink Faucet



B-0665-BSTP FAUCETS, cont.

MODEL	OUTLET	CLEARANCE WALL TO FAUCET	WALL TO OUTLET	HANDLE	INLET FLANGES	FINISH	NOTES
B-0666-POL	3/4" Garden hose male	3-3/8"	9-13/16"	Lever	1/2" NPT female inlets w/loose key stops (00JJ)	Polished chrome	1/2" NPT atmospheric vacuum breaker (B-0969)
B-0666-RGH	3/4" Garden hose male	3-3/8"	9-13/16"	Lever	1/2" NPT female with integral stops (00JJ)	Rough chrome	1/2" NPT atmospheric vacuum breaker (B-0969)
B-0658	3/4" Garden hose male	3-3/8"	9-7/8"	6" wrist-action	1/2" NPT female with integral stops (00JJ)	Polished chrome	1/2" NPT atmospheric vacuum breaker (B-0969)
B-1958	3/4" Garden hose male	5-1/8"	11-9/16"	4-Arm (175F)	1/2" NPT female with integral stops and extensions (00JJ-XT-RGH)	Rough chrome	1/2" NPT atmospheric vacuum breaker (B-0969)

B-0667-POL Service Sink Faucet

- Wall-mount service sink faucet
- Polished chrome plated finish
- 1/2" NPT female flanged adjustable arm inlets with screwdriver stops (00XX)
- Adjustable centers from 2-1/4" (57 mm) to 8-1/4" (210 mm)
- Eterna cartridges with spring checks
- Lever handles with color coded indexes
- Atmospheric vacuum breaker nozzle with 3/4" garden hose thread and pail hook
- Top support wall brace with mounting screws
- 9-1/2" (241 mm) clearance from back of inlets to center of outlet



MODEL	OUTLET	CLEARANCE WALL-FAUCET	WALL TO OUTLET	HANDLE	INLET FLANGES	FINISH	NOTES
B-0667-POL	3/4" Garden hose male	3-1/16"	9-9/16"	Lever	1/2" NPT female flanged adj. arm inlets screwdriver stops (00XX)	Polished chrome	1/2" NPT atmospheric vacuum breaker (B-0969)
B-0667-POLM	3/4" Garden hose male	3-1/16"	9-9/16"	Lever	1/2" NPT female flanged adj. arm inlets screwdriver stops (00XX)	Polished chrome	B-0667-POL Master carton of 6
B-0667-RGH	3/4" Garden hose male	3-1/16"	9-9/16"	Lever	1/2" NPT female flanged adj. arm inlets screwdriver stops (00XX-RGH)	Rough chrome	1/2" NPT atmospheric vacuum breaker (B-0969)
B-0667-RGHM	3/4" Garden hose male	3-1/16"	9-9/16"	Lever	1/2" NPT female flanged adj. arm inlets screwdriver stops (00XX-RGH)	Rough chrome	B-0667-RGH Master carton of 6
B-0667-RGHM24	3/4" Garden hose male	3-1/16"	9-9/16"	Lever	1/2" NPT female flanged adj. arm inlets screwdriver stops (00XX-RGH)	Rough chrome	B-0667-RGH Master carton of 24
B-0668-POL	3/4" Garden hose male	3-1/16"	9-9/16"	Lever	1/2" NPT female flanged adj. arm inlets (00GG)	Polished chrome	
B-0668-RGH	3/4" Garden hose male	3-1/16"	9-9/16"	Lever	1/2" NPT female flanged adj. arm inlets (00GG)	Rough chrome	



Service Sink and Sill Faucets

- Built-in screwdriver stops (on select models) allow water shut-off for maintenance on faucet, such as removal and replacing Eterna cartridges
- Internal spring checks (on select models) prevent crossflow and back flow of water

B-0669-POL Service Sink Faucet

- Wall-mount service sink faucet
- Polished chrome plated finish
- 1/2" NPT female flanged adjustable arm inlets with screwdriver stops (00XX)
- Adjustable centers from 2-1/4" (57 mm) to 8-1/4" (210 mm)
- Eterna cartridges with spring checks
- Lever handles with color coded indexes
- Atmospheric vacuum breaker spout with 3/4" garden hose male thread
- 5-1/2" (140 mm) from back of inlets to center of outlet



MODEL	OUTLET	CLEARANCE WALL-FAUCET	WALL TO OUTLET	HANDLE	INLET FLANGES	FINISH	NOTES
B-0669-POL	3/4" Garden hose male	3-1/16"	5-7/16"	Lever	1/2" NPT female flanged adj. arm inlets screwdriver stops (00XX)	Polished chrome	1/2" NPT atmospheric vacuum breaker (B-0969)
B-0669-01	3/4" Garden hose male	3-1/16"	5-7/16"	Lever	1/2" NPT female flanged adj. arm inlets screwdriver stops (00XX)	Polished chrome	1/2" NPT atmospheric vacuum breaker (B-0969); spout w/ pail hook
B-0669-RGH	3/4" Garden hose male	3-1/16"	5-7/16"	Lever	1/2" NPT female flanged adj. arm inlets screwdriver stops (00XX-RGH)	Rough chrome	1/2" NPT atmospheric vacuum breaker (B-0969)
B-0670-POL	3/4" Garden hose male	3-1/16"	5-7/16"	Lever	1/2" NPT female flanged adj. arm inlets (00GG)	Polished chrome	1/2" NPT atmospheric vacuum breaker (B-0969); no stops
B-0670-01	3/4" Garden hose male	3-1/16"	5-7/16"	Lever	1/2" NPT female flanged adj. arm inlets (00GG)	Rough chrome	1/2" NPT atmospheric vacuum breaker (B-0969); spout w/ pail hook
B-0670-RGH	3/4" Garden hose male	3-1/16"	5-7/16"	Lever	1/2" NPT female flanged adj. arm inlets (00GG-RGH)	Rough chrome	1/2" NPT atmospheric vacuum breaker (B-0969)

B-0671-POL Service Sink Outlet

- Polished chrome plated finish
- Nozzle has 3/4" garden hose male thread and pail hook
- Upper wall support with mounting screws
- 6-1/8" (156 mm) from back of inlet to center of outlet
- 1/2" NPT female flanged inlet



B-0671-RGH Same as B-0671-POL except with rough chrome plated finish

B-0692 Service Sink Outlet

- Concealed loose key straight valve with key and 1/2" NPT female inlet and outlet (B-1027)
- Nozzle with 1/2" NPT inlet and 3/4" garden hose male thread outlet
- 3-7/8" clearance from wall to outlet
- Elevated atmospheric vacuum breaker with 1/2" NPT female connections (B-0929-A)



B-0672-POL Service Sink Faucet

- 8" wall-mount service sink faucet
- Polished chrome plated finish
- Eterna cartridges with spring checks
- Lever handles with color coded indexes
- Plain end spout with pail hook
- 4-7/16" (113 mm) from wall to center of outlet
- 1/2" NPT female eccentric flanged adjustable inlets (00AA)
- Centers adjustable from 7-3/4" (197 mm) to 8-1/4" (210 mm)



B-0672-RGH Same as B-0672-POL except with rough chrome plated finish

B-0673-POL Same as B-0672-POL except with 3/4" garden hose male thread on nozzle

B-0673-RGH Same as B-0672-RGH except with 3/4" garden hose male thread on nozzle



Service Sink Faucets

- Built-in screwdriver stops (on select models) allow water shut-off for maintenance on faucet, such as removal and replacing Eterna cartridges
- Internal spring checks (on select models) prevent crossflow and back flow of water

B-0674-BSTP Service Sink Faucet

- 8" wall-mount service sink faucet
- Polished chrome plated finish
- Eterna cartridges with spring checks
- Lever handles with color coded indexes
- Vacuum breaker spout and pail hook with 3/4" garden hose male thread
- 4-3/4" (121 mm) from wall to center of outlet
- 1/2" NPT female eccentric flanged inlets (00AA)



- Adjustable centers from 7-3/4" (197 mm) to 8-1/4" (210 mm)
- Built-in stops in body

MODEL	OUTLET	CLEARANCE WALL-FAUCET	WALL TO OUTLET	HANDLE	INLET FLANGES	FINISH	NOTES
B-0674-BSTP	3/4" Garden hose male	2-11/16"	5-1/16"	Lever	1/2" NPT female eccentric (00AA)	Polished chrome	1/2" NPT atmospheric vac. breaker (B-0969); built-in stops in body
B-0674-BSTPM	3/4" Garden hose male	2-11/16"	5-1/16"	Lever	1/2" NPT female eccentric (00AA)	Polished chrome	B-0674-BSTP Master carton of 6
B-0674-BSTR	3/4" Garden hose male	2-11/16"	5-1/16"	Lever	1/2" NPT female eccentric (00AA)	Rough chrome	1/2" NPT atmospheric vac. breaker (B-0969); built-in stops in body
B-0674-BSTRM	3/4" Garden hose male	2-11/16"	5-1/16"	Lever	1/2" NPT female eccentric (00AA)	Rough chrome	B-0674-BSTR Master carton of 6
B-0674-CR-BSTP	3/4" Garden hose male	2-11/16"	5-1/16"	Lever	1/2" NPT female eccentric (00AA)	Polished chrome	1/2" NPT atmospheric vac. breaker (B-0969); built-in stops in body; ceramic cartridges w/ check valves
B-0674-CR-BSTR	3/4" Garden hose male	2-11/16"	5-1/16"	Lever	1/2" NPT female eccentric (00AA)	Rough chrome	1/2" NPT atmospheric vac. breaker (B-0969); built-in stops in body; ceramic cartridges w/ check valves
B-0674-CR-POL	3/4" Garden hose male	2-3/8"	4-3/4"	Lever	1/2" NPT female eccentric (00AA)	Polished chrome	Ceramic cartridges w/check valves; 1/2" NPT atmospheric vac. breaker (B-0969)
B-0674-POL	3/4" Garden hose male	2-3/8"	4-3/4"	Lever	1/2" NPT female eccentric (00AA)	Polished chrome	1/2" NPT atmospheric vac. breaker (B-0969)
B-0659	3/4" Garden hose male	2-3/8"	4-3/4"	6" Wrist action	1/2" NPT female eccentric (00AA)	Polished chrome	
B-0674-POLM	3/4" Garden hose male	2-3/8"	4-3/4"	Lever	1/2" NPT female eccentric (00AA)	Polished chrome	B-0674-POL Master carton of 6
B-0674-RGH	3/4" Garden hose male	2-3/8"	4-3/4"	Lever	1/2" NPT female eccentric (00AA)	Rough chrome	1/2" NPT atmospheric vac. breaker (B-0969)
B-0674-RGHM	3/4" Garden hose male	2-3/8"	4-3/4"	Lever	1/2" NPT female eccentric (00AA)	Rough chrome	B-0674-RGH Master carton of 6
B-0674-RGHM24	3/4" Garden hose male	2-3/8"	4-3/4"	Lever	1/2" NPT female eccentric (00AA)	Rough chrome	B-0674-RGH Master carton of 24
B-0693-POL	3/4" Garden hose male	3-3/8"	5-3/4"	Lever	1/2" NPT female w/ integral stops (00JJ)	Polished chrome	1/2" NPT atmospheric vac. breaker (B-0969) less pail hook
B-2271	3/4" Garden hose male w/ quick-connect fitting	2-3/8"	4-7/8"	Lever	1/2" NPT female eccentric (00AA)	Rough chrome	1/2" NPT atmospheric vac. breaker (B-0969); 1/2" NPT supply nipples
B-2271-CR	3/4" Garden hose male w/quick-connect fitting	2-3/8"	4-7/8"	Lever	1/2" NPT female eccentric (00AA)	Rough chrome	Ceramic cartridges w/check valves; 1/2" NPT atmospheric vac. breaker (B-0969); 1/2" NPT supply nipples
B-2271-POL	3/4" Garden hose male w/quick-connect fitting	2-3/8"	4-7/8"	Lever	1/2" NPT female eccentric (00AA)	Polished chrome	1/2" NPT atmospheric vac. breaker (B-0969); 1/2" NPT supply nipples
B-2271-POL-CR	3/4" Garden hose male w/quick-connect fitting	2-3/8"	4-7/8"	Lever	1/2" NPT female eccentric (00AA)	Polished chrome	Ceramic cartridges w/check valves; 1/2" NPT atmospheric vac. breaker (B-0969); 1/2" NPT supply nipples



Service Sink and Sill Faucets

- Built-in screwdriver stops (on select models) allow water shut-off for maintenance on faucet, such as removal and replacing Eterna cartridges
- Internal spring checks (on select models) prevent crossflow and back flow of water

B-0695-ST Service Sink Fitting

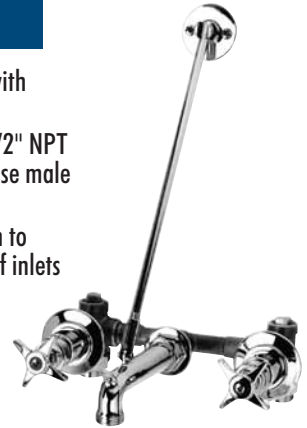
- 8" concealed bypass mixing valve with 1/2" NPT female outlet
- Braced chrome plated spout with 1/2" NPT female wall flange, 3/4" garden hose male thread and pail hook
- Rough-in 2-1/4" (57 mm) minimum to 3-1/2" (89 mm) maximum center of inlets to finished wall face
- Elevated atmospheric vacuum breaker with 1/2" NPT female connections (B-0929-A)
- Loose key valves behind teardrop escutcheons with 1/2" NPT female inlets
- Four arm handles with color coded indexes



B-0695 Same as B-0695-ST except with 1/2" NPT female union joint inlets and without integral stops

B-0697 Service Sink Fitting

- 8" concealed bypass mixing valve with 1/2" NPT female outlet
- Braced chrome plated spout with 1/2" NPT female wall flange, 3/4" garden hose male thread and pail hook
- Rough-in 2-1/4" (57 mm) minimum to 3-1/2" (89 mm) maximum center of inlets to finished wall face
- Four arm handles with color coded indexes
- 1/2" NPT female union joint inlets



B-0698 Same as B-0697 except with solder type union inlets for 5/8" (16 mm) O.D. copper tubing
B-0699 Same as B-0697 except with vacuum breaker spout
B-0699-ST Same as B-0699 except with integral stops with 1/2" NPT female inlets and teardrop escutcheons

B-2480 Service Sink Faucet

- 8" wall-mount faucet with rough chrome plated finish
- 4-7/16" (113 mm) from wall to center of outlet
- Rough chrome plated spout with 3/4" garden hose male outlet and pail hook
- Four arm handles with color coded indexes
- 1/2" NPT female eccentric flanged inlets (00AA)
- Adjustable centers from 7-3/4" (197 mm) to 8-1/4" (210 mm)
- Eterna cartridges with spring checks



Accessories

B-0618-01 Reinforced PVC Hose

- Reinforced PVC hose
- 30" (762 m) long
- 3/4" garden hose inlet with washer
- Plain outlet



B-0618-02 Same as B-0618-01 except with 4' (1.2 m) hose
B-0618-03 Same as B-0618-01 except with 5' (1.5 m) hose

B-0653 Mop Hanger

- Stainless steel mop hanger
- Three spring-loaded rubber grips
- 17-11/16" (449 mm) long x 2-3/4" (70 mm) wide
- Includes mounting screws



B-0654 Stainless Steel Single Mop Hanger

- Stainless steel single mop hanger
- Spring-loaded rubber grip
- 30" (762 m) rubber hose (B-0618-01) with 3/4" garden hose inlet
- Includes mounting screws



Sill and Heavy Duty Sink Faucets

B-0700 Single Sink Faucet



- Wall-mount single sill faucet
- 1/2" NPT female inlet
- 2" (51 mm) dia. flange
- 3-7/8" (98 mm) from wall to center of plain end outlet
- Four-arm handle with blue index
- Eterna cartridge



B-0700-LT-CR-K Same as B-0700 except with B-LT outlet, ceramic cartridge and inlet installation kit

B-0700-01 Same as B-0700 except with push button metering cartridge with adjustable flow

B-0700-124A Same as B-0700 except with loose key spindle assembly and T-handle with screw

B-0702 Same as B-0700 except with 3/4" garden hose outlet

B-0702-WH4 Same as B-0700 except with wrist action handle (B-WH4) with blue index and 3/4" garden hose male outlet

B-0703 Single Sink Faucet



- Wall-mount single sill faucet
- 1/2" NPT male inlet
- 3-1/4" (83 mm) wall to center of plain end outlet
- Four-arm handle with blue index
- Eterna cartridge



B-0703-124A Same as B-0703 except with loose key stop and T-handle with screw

B-0704 Same as B-0703 except with 3/4" garden hose male outlet

B-0706 Self-Closing Single Sink Faucet

- Wall-mount single sill faucet
- 1/2" NPT female inlet
- 2" (51 mm) dia. flange
- 3-5/8" (92 mm) wall to center of plain end outlet
- Four-arm handle with blue index
- Fast self-closing valve



B-0707 Same as B-0706 except with 3/4" garden hose male outlet

B-0708 Self-Closing Single Sink Faucet

- Wall-mount single sill faucet
- 1/2" NPT male inlet
- 3-1/4" (83 mm) wall to center of plain end outlet
- Four-arm handle with blue index
- Fast self-closing valve



B-0708-JJ Same as B-0708 except with 1/2" NPT female loose key stop with extension

B-0709 Same as B-0708 except with 3/4" garden hose male outlet

B-0709-JJ Same as B-0709 except with 1/2" NPT female inlet, loose key stop, with extension

B-0710 Single Basin Faucet



- Single hole single temperature deck-mount basin faucet
- 1/2" NPSM male inlet
- 4-1/8" (105 mm) from center of faucet to center of outlet
- Four-arm handle with blue index
- 2.2 GPM aerator (B-0109-02)
- Eterna cartridge
- Includes tailpiece and nut for 1/4" NPT connection (150A)



B-0710-01 Same as B-0710 except with alpine handle (076F)

B-0710-HW Same as B-710 except with red (hot) index

B-0710-WS Same as B-0710 except with 1.5 GPM aerator (B-0199-02-WS)

B-0711 Same as B-0710 except with fast self-closing valve, four arm handle and blue index

B-0712-WA Same as B-0710 except with 4" wrist-action handle

B-0719 Same as B-0710 except with lever handle with blue index

Sill and Heavy Duty Sink Faucets

B-0715 Single Sink Faucet



- Wall-mount single sill faucet
- 1/2" NPT male inlet
- 2" (51 mm) dia. adjustable wall flange
- 6" (152 mm) inlet to center of outlet
- Lever handle with blue index
- Plain end outlet
- Eterna cartridge



B-0715-LT-CR Same as B-0715 except with cerama cartridge and stream regulator outlet (B-LT)
B-0716 Same as B-0715 except with four arm handle

B-0717 Single Sink Faucet



- Wall-mount single sill faucet
- 1/2" NPT male inlet
- 2" (51 mm) dia. adjustable wall flange
- 5" (127 mm) from inlet to center of outlet
- Lever handle with blue index
- 3/4" garden hose male outlet
- Eterna cartridge



B-0718 Same as B-0717 except with four arm handle

B-0720 Sill Faucet with Vacuum Breaker

- Single hole single temperature wall-mount sill faucet
- 2" (51 mm) dia. flange
- 1/2" NPT female inlet
- Loose key stop with cap
- Atmospheric vacuum breaker (B-0969)
- 3/4" garden hose male outlet
- Polished chrome plated finish
- Includes T-handle and screw



B-0720-RGH Same as B-0720 except with rough chrome plated finish
B-2301 Same as B-0720 except with four arm handle

B-0730 Sill Faucet

- Single hole single temperature wall-mount sill faucet
- 1/2" NPT female inlet
- 2" (51 mm) dia. flange
- Loose key stop with cap
- 3/4" garden hose male outlet
- Rough chrome plated finish
- Includes T-handle and screw



B-0730-POL Same as B-0730 except with polished chrome plated finish
B-0731-POL Same as B-0730-POL except with 3/4" NPT female inlet

B-0736-POL Sill Faucet with Vacuum Breaker

- Single hole single temperature wall-mount sill faucet
- 1/2" NPT female inlet
- 2" (51 mm) dia. flange
- Loose key stop with cap
- Removable vacuum breaker with 3/4" garden hose male outlet (B-0972)
- Polished chrome plated finish
- Includes T-handle and screw



B-0736 Same as B-0736-POL except with rough chrome finish
B-0737 Same as B-0736-POL except with 3/4" female inlet and rough chrome finish
B-0737-POL Same as B-0736-POL except with 3/4" female inlet

B-2460 Single Basin Faucet



- Single hole single temperature deck-mount basin faucet
- 1/2" NPSM male inlet
- 4-1/8" (105 mm) from center of faucet to center of spout
- 4" decorative wrist-action handle with blank index
- Ceramic cartridge
- Anti-rotation cover plate
- 2.2 GPM vandal-resistant aerator (B-0199-07)
- Includes (150A) tailpiece and nut for 1/4" NPT connection



Bedpan Washers

B-0675 Bedpan Washer

- Wall-mount pedal valve (B-0504-01) with angle loose key stops with 1/2" NPT female inlets (B-1350)
- Angle loose key volume control with 3/8" NPT female outlet (B-1355)
- Elevated atmospheric vacuum breaker with 3/8" NPT flanged female connections (B-0929)
- Wall hook outlet with 3/8" NPT flanged female inlet (B-0104)
- 68" (1727 mm) PVC hose (B-0068-R) with extended spray wand self-closing valve (002865-40)



B-0676 Same as B-0675 except with extended spray wand connected directly to hose – self-closing valve is omitted

B-0676-54V Same as B-0676 except with 54" (1372 mm) vinyl hose

B-0678 Bedpan Washer

- 1/2" NPT female angle loose key stop with control valve and vacuum breaker (B-0968) outlet
- 68" (1727 mm) PVC hose (B-0068-R) with extended spray wand self-closing valve (002865-40)



B-0679 Same as B-0678 except with extended spray wand connected directly to hose – self-closing valve is omitted

B-0685 Bedpan Washer

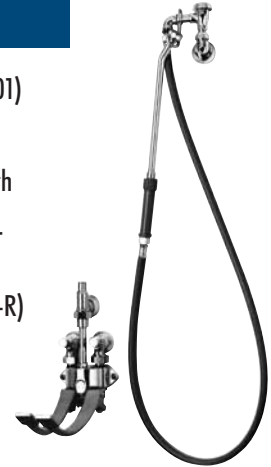
- Single wall-mount pedal valve (B-0508-01) with 1/2" NPT female inlet with angle stops (B-1350)
- Angle volume control valve (B-1355) with 3/8" NPT female outlet on pedal valve
- Elevated atmospheric vacuum breaker (B-0929) with 3/8" NPT connections
- Wall hook outlet with 3/8" NPT female flanged inlet (B-0104)
- 68" (1727 mm) PVC hose (B-0068-R) with extended spray wand self-closing valve (002865-40)



B-0686 Same as B-0685 except with extended spray wand connected directly to hose – self closing valve is omitted

B-0677 Bedpan Washer

- Wall-mount pedal valve (B-0504-01) with angle loose key stops with 1/2" NPT female inlets (B-1350)
- Angle loose key volume control with 3/8" NPT female outlet (B-1355)
- Vacuum breaker unit has 3/8" NPT female flanged inlet
- 68" (1727 mm) PVC hose (B-0068-R) with extended spray wand outlet (002861-40)



B-0680-ST Bedpan Washer

- 8" concealed bypass mixing valve (B-1035-ST)
- Straight loose key stops with 1/2" NPT female inlets
- Elevated atmospheric vacuum breaker (B-0929-A) with 1/2" NPT female connections
- Wall hook outlet with 3/8" NPT female flanged inlet (B-0104)
- 68" (1727 mm) PVC hose (B-0068-R) with self-closing spray valve (002865-40)



B-0682-ST Bedpan Washer

- 8" concealed bypass mixing valve (B-1035-ST)
- Straight loose key stops with 1/2" NPT female inlets
- Vacuum breaker outlet
- 68" (1727 mm) PVC hose (B-0068-R) with extended spray wand self-closing valve (002865-40)
- Dummy wall hook (B-0104-D)



B-0682 Same as B-0682-ST except without loose key stops

Bedpan Washers, Wall Hook Outlets and Dummy Wall Hooks

B-0687 Bedpan Washer

- Single wall-mount pedal valve (B-0508-01) with 1/2" NPT female inlet with angle stops (B-1350)
- Angle volume control valve (B-1355) with 3/8" NPT female outlet on pedal valve
- Vacuum breaker has 3/8" NPT female flanged inlet and outlet
- 68" (1727 mm) PVC hose (B-0068-R) with extended spray wand self-closing valve (002861-40)



B-0104 Wall Hook Outlet

- 3/8" NPT flanged female inlet
- 3/4 - 14 male outlet connects to hoses



B-0104-D Dummy Wall Hook

- Attaches to wall with screws provided
- Flange diameter 2" (51 mm)



Bedpan Washers, Hoses and Sprays

B-0690 Bedpan Washer with Self-Closing Spray Valve

- 1/2" NPT male inlet adapter (055A)
- 68" (1727 mm) reinforced PVC hose (B-0068-R)
- Extended spray wand self-closing valve (002865-40)



B-0691 Bedpan Washer with Extended Spray Outlet

- 1/2" NPT male inlet adapter (055A)
- 68" (1727 mm) reinforced PVC hose (B-0068-R)
- Extended spray wand outlet (002861-40)



B-0950 Bedpan Washer with Self-Closing Valve

- 1/2" NPT male inlet adapter (055A)
- 44" (1118 mm) flexible stainless steel hose (B-0044-H)
- 1.42 GPM angle spray valve (B-0107-035)



B-0950-01 Same as B-0950 except with 68" (1727 mm) flexible stainless steel hose (B-0068-H)

B-0950-54H Same as B-0950 except with 54" (1372 mm) flexible stainless steel hose (B-0054-H)

B-0950-VB Same as B-0950 except with continuous pressure vacuum breaker (B-0970-FE)

B-0956 Same as B-0950 except with 44" (1118 mm) reinforced PVC hose

B-0955 Bedpan Washer with Self-Closing Valve

- 1/2" NPT male inlet adapter (055A)
- 44" (1117 mm) reinforced PVC hose (B-0044-R)
- 1.42 GPM spray valve outlet (B-0107)



B-0957 Same as B-0955 except with 44" (1118 mm) braided vinyl hose

B-0973 Bedpan Washer with Self-Closing Valve

- 1/2" NPT male inlet adapter (055A)
- 48" (1219 mm) flexible stainless steel hose (B-0048-H)
- Angled push button spray valve with adjustable spray head



B-0974 Bedpan Washer with Self-Closing Valve

- 1/2" NPT male inlet adapter (055A)
- 56" (1422 mm) flexible stainless steel hose (B-0056-H)
- Angled spray valve with adjustable spray head



Concealed Single Valves

**B-1020
Concealed Bypass Valve**



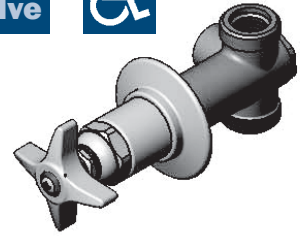
- 1/2" NPT female union inlet on bottom
- 1/2" NPT female inlet on top
- 1/2" NPT female outlet
- Four arm handle with blue index
- Adjustable wall flange
- Eterna cartridge



**B-1025
Concealed Straight Valve**



- 1/2" NPT female inlet and outlet
- Four arm handle with blue index
- Adjustable wall flange
- Eterna cartridge



B-1025-1 Same as B-1025 except with "Hot" handle
B-1026-1 Same as B-1025 except with "Hot" clear alpine handle

**B-1025-ST
Concealed Straight Valve**



- 1/2" NPT outlet
- Straight loose key stop with 1/2" NPT female inlet
- Adjustable tear drop escutcheon
- Four-arm handle with blue index
- Eterna cartridge
- Includes T-handle and screw



**B-1027-UCP
Concealed Straight Loose Key Stop**

- 1/2" NPT female union inlet
- 1/2" NPT female outlet
- Adjustable wall flange
- Includes T-handle and screw
- Loose key spindle assembly (124A)



B-1027 Same as B-1027-UCP except without a union coupling nut
B-1028 Same as B-1027 except with built-in check valve feature



**B-1029
Concealed Straight Valve**



- Slow self-closing metering cartridge with adjustable timed flow
- Blank push button cap with vandal-resistant screw
- Adjustable wall flange
- 1/2" NPT female inlet and outlet



B-1029-1 Same as B-1029 except indexed "Cold"
B-1029-2 Same as B-1029 except indexed "Hot"

**B-1029-PA
Concealed Straight Valve**



- Pivot action metering cartridge with blank handle and vandal-resistant screw
- 1/2" NPT female inlet and outlet
- Adjustable wall flange

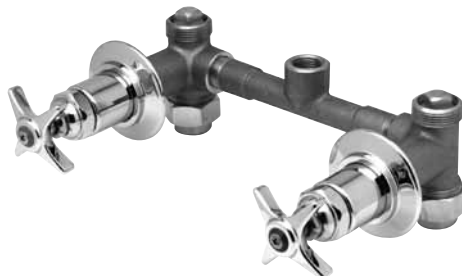


Concealed Bypass Mixing Valve

**B-1035
Concealed Bypass Mixing Valve**



- 8" (203 mm) centers
- 1/2" NPT female union inlets
- 1/2" NPT female outlet
- Four arm handles
- Adjustable wall flanges
- Eterna cartridges



B-1035-ST Same as B-1035 except with straight loose key stops

Accessories

B-1091 Deluxe Shower Head

NEW FEATURES!

- 2.2 GPM @ 60 PSI / 2.5 GPM @ 80 PSI flow rate
- 1/2" NPT male shower arm
- Adjustable wall flange
- Solid brass construction
- Brass ball swivel joint and shank
- Spray adjusting handle
- 2-3/4" face
- 6 Lexan deposit-resisting plungers with 48 spray channels
- Pressure-compensating limiter precisely control jets and channels transforming any water pressure into forceful, fully adjustable spray
- Transition from needling full-body to rinsing gentle rain to drenching full-flood sprays



B-1092 Vandal Resistant Shower Head

- 2.2 GPM @ 60 PSI / 2.5 GPM @ 80 PSI flow rate
- Wall mounted vandal resistant shower head
- 1/2" NPT female inlet
- Adjustable spray

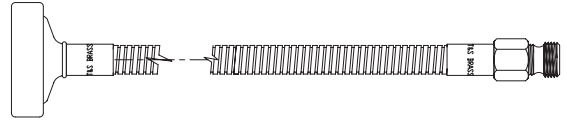


B-1095 Bath Tub Spout

- Chrome plated finish
- 3/4" NPT female inlet
- Furnished with twin el flow diverter



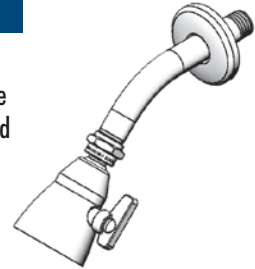
B-0900 Spray Assembly



- 3' (.9 m) stainless steel hose
- 2-3/4" (70 mm) dia. rubber bumper with sprayface
- 1/2" NPT male inlet adapter (055A)

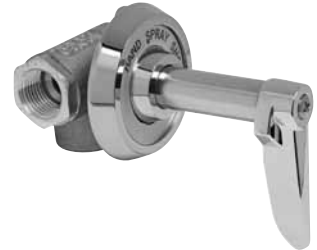
B-1090 Shower Head

- 2.2 GPM @ 60 PSI / 2.5 GPM @ 80 PSI flow rate
- Adjustable spray shower head
- 1/2" NPT male arm
- Adjustable wall flange
- Ball joint head



B-1097 Two-Way Diverter Valve

- Quarter turn to divert flow between shower and hand spray
- 1/2" NPT female connections
- Lever handle



"Shower Queen" Accessories

B-0940 Vertical Slide Bar with Adjustable Height Bracket

- 24" (610 mm) long vertical slide bar
- Adjustable height bracket for use with SQ-0095 Shower Queen hand spray



SQ-0092 Wall Spray Bracket

- Mounts to wall
- Used with SQ-0095 Shower Queen hand spray
- Two position sockets



SQ-0093 Wall outlet assembly, 3/8" NPT inlet and 3/4-14 male outlet

SQ-0094 Wall outlet assembly with 1/2" NPT female inlet and 3/4-14 male outlet

SQ-0099 Sliding spray bracket for B-0940

SQ-0100 Diverter Valve

- 1/2" NPT female inlet
- 1/2" NPT male outlet to shower head
- 3/4-14 male outlet to hand held spray hose
- Diverts water to hand held spray by pulling knob
- Mounts on existing shower arm before shower head



SQ-0095 Shower Queen Hand Spray

- Hand spray with thumb valve to water flow, switch from 2.0 GPM to 0.5 GPM



See other Shower Queen parts and models on page D55

Pressure Balancing Shower Valve, Assemblies and Parts



NEW Shower Valve Models!

B-3200 / B-3300
Pressure Balancing Shower Valve, Shower Head and Tub Spout



	2.5 GPM	1.5 GPM
1/2" Nom. (5/8" O.D.) Sweat Connections	B-3200 Series	B-3400 Series
1/2" NPT Threaded Connections	B-3300 Series	B-3500 Series

B-3200 and B-3400 Series with Sweat Connections

Our B-3200 and B-3400 series shower valve packages are designed for installation with 1/2" sweat connections, allowing for easy sweating of copper pipe.

The B-3200 series includes a shower head with 2.5 GPM. Our NEW B-3400 series gives you a choice of models with a water-saving 1.5 GPM shower head.

B-3300 and B-3500 Series with Threaded Connections

The B-3300 and B-3500 series models have 1/2" NPT threaded connections for easy installation to traditional threaded pipe, and especially designed for installation in facilities that prohibit open flames (i.e. health care facilities).

The B-3300 series includes a 2.5 GPM shower head, and the NEW B-3500 series offers a water-saving shower head with a flow rate of 1.5 GPM.

With 28 different component packages to choose from, these shower products include the T&S heavy-duty solid brass pressure balancing shower mixing valve with the quality you expect from T&S.

Features:

- Temperature limit stop
- Integral supply stops
- Replaceable ceramic cartridge
- Shower valve with heavy-duty solid brass construction (ASSE 1016)
- Polished chrome trim with color coded index
- Choice of 1.5 GPM or 2.5 GPM shower head models with variable spray
- Solid brass chrome plated tub spout

Options:

- Hand held spray assembly with throttle down feature (2.0 GPM to 0.5 GPM) saves water
- Flexible 5 ft. stainless steel hose
- 24" glide bar
- Optional wall-mount vacuum breaker on spray assembly
- 28 different shower model packages to choose from

B-3200 and B-3400 Series with 1/2" Sweat Connections	B-3200 B-3400	B-3201 B-3401	B-3204 B-3404	B-3204-PBV B-3404-PBV	B-3205 B-3405	B-3206 B-3406	B-3206-VB B-3406-VB	
B-3300 and B-3500 Series with 1/2" NPT Threaded Connections	B-3300 B-3500	B-3301 B-3501	B-3304 B-3504	B-3304-PBV B-3504-PBV	B-3305 B-3505	B-3306 B-3506	B-3306-VB B-3506-VB	B-3507-VB
Pressure balancing mixing valve	X	X	X	X	X	X	X	X
Chrome plated metal face plate	X	X	X		X	X	X	X
Tub spout with diverter lift knob	X							X
NEW! 1.5 GPM shower head and arm	B-3400 B-3500	B-3401 B-3501				B-3406 B-3506	B-3406-VB B-3506-VB	
2.5 GPM shower head with variable spray pattern and arm	B-3200 B-3300	B-3201 B-3301				B-3206 B-3306	B-3206-VB B-3306-VB	
Diverter valve with trim						X	X	
NEW! 1.5 GPM Hand held shower spray assembly with slide bar					B-3405 B-3505	B-3406 B-3506	B-3406-VB B-3506-VB	X
2.5 GPM Hand held shower spray assembly with slide bar					B-3205 B-3305	B-3206 B-3306	B-3206-VB B-3306-VB	
Vacuum breaker for hand held shower assembly					Optional		X	X

Pressure Balancing Shower Valves – 1/2" Sweat Connections – 2.5 GPM



**B-3200 Series
Pressure Balancing Shower Valve,
Shower Head and Tub Spout**

- Solid brass pressure balancing shower valve with replaceable cartridge
- 1/2" nominal (5/8" O.D.) sweat connections on shower valve
- Integral supply stops
- Temperature limit stop
- Polished chrome rotary handle
- Polished chrome faceplate with screws and gasket
- 2.5 GPM polished chrome shower head with ball joint, arm and wall flange assembly
- 1/2" NPT female tub spout with diverter lift knob in polished chrome plated finish
- ASSE 1016 Listed



B-3300 Series Parts and Accessories:

017439-45	1/2" NPT female tub spout with diverter lift knob, polished chrome finish
017441-45	Pressure balance ceramic cartridge, rotary actuation with adjustable temperature limit stop
B-1090	Polished chrome shower head with ball joint, arm and wall flange assembly
017443-45	Polished chrome rotary handle w/index and set screw
017444-45	Polished chrome face plate with screws and gasket

**B-3201
Pressure Balancing
Shower Valve Assembly**

- Same as B-3200 except without tub spout
- 1/2" nominal (5/8" O.D.) sweat connections on shower valve



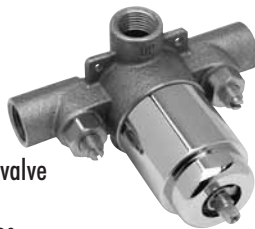
**B-3204
Pressure Balancing Shower Valve**

- Pressure balancing shower valve with trim plate and handle
- 1/2" nominal (5/8" O.D.) sweat connections on shower valve



**B-3204-PBV
Pressure Balancing
Shower Valve**

- Rough-in pressure balancing shower valve (less trim and handle)
- 1/2" nominal (5/8" O.D.) sweat connections on shower valve



**B-3206
Pressure Balancing Shower
Valve Assembly**

- Includes B-3201 pressure balancing shower valve assembly with shower head, B-1097 diverter valve and B-0925 Shower Queen hand spray assembly with slide bar
- 1/2" nominal (5/8" O.D.) sweat connections on shower valve



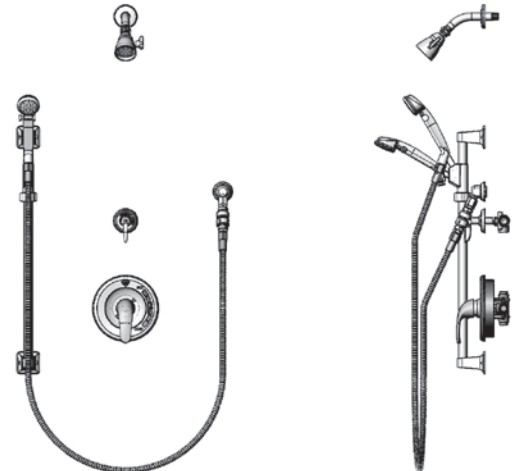
**B-3205
Pressure Balancing Shower
Valve Assembly**

- Same as B-3206 except less shower head assembly and diverter valve
- 1/2" nominal (5/8" O.D.) sweat connections on shower valve



**B-3206-VB
Pressure Balancing Shower
Valve Assembly**

- Same as the B-3206 except with a B-0970-01 vacuum breaker attached to Shower Queen hand spray hose assembly
- 1/2" nominal (5/8" O.D.) sweat connections on shower valve



Pressure Balancing Shower Valves – Threaded Connections – 2.5 GPM



**B-3300 Series
Pressure Balancing Shower Valve/Shower Head/
Tub Spout with Threaded Connections**

- Solid brass pressure balancing shower valve with replaceable cartridge
- 1/2" NPT female connections on shower valve
- Integral supply stops
- Temperature limit stop
- Polished chrome rotary handle
- Polished chrome faceplate with screws and gasket
- 2.5 GPM polished chrome shower head with ball joint, arm and wall flange assembly
- 1/2" NPT female tub spout with diverter lift knob in polished chrome plated finish
- ASSE 1016 Listed



B-3300 Series Parts and Accessories:

017439-45	1/2" NPT female tub spout with diverter lift knob, polished chrome finish
017441-45	Pressure balance ceramic cartridge, rotary actuation with adjustable temperature limit stop
B-1090	Polished chrome shower head with ball joint, arm and wall flange assembly
017443-45	Polished chrome rotary handle w/index and set screw
017444-45	Polished chrome face plate with screws and gasket

**B-3301
Pressure Balancing
Shower Valve Assembly**

- Same as B-3200 except without tub spout
- 1/2" NPT female connections on shower valve



**B-3304
Pressure Balancing Shower Valve**

- Pressure balancing shower valve with trim plate and handle
- 1/2" NPT female connections on shower valve



**B-3304-PBV
Pressure Balancing
Shower Valve**

- Rough-in pressure balancing shower valve (less trim and handle)
- 1/2" NPT female connections on shower valve



**B-3306
Pressure Balancing Shower
Valve Assembly**

- Includes B-3301 pressure balancing shower valve assembly with shower head, B-1097 diverter valve and B-0925 Shower Queen hand spray assembly with slide bar
- 1/2" NPT female connections on shower valve



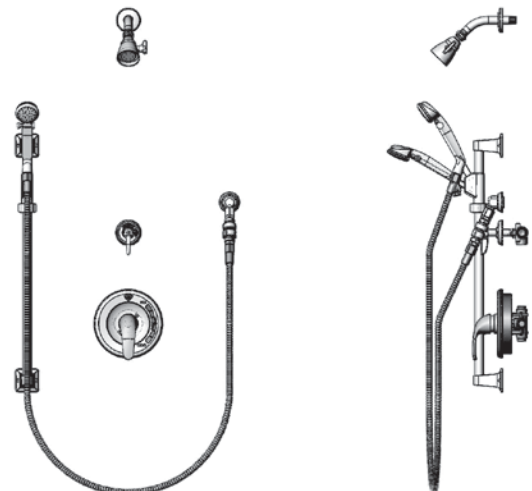
**B-3305
Pressure Balancing Shower
Valve Assembly**

- Same as B-3306 except less shower head assembly and B-1097 diverter valve
- 1/2" NPT female connections on shower valve



**B-3306-VB
Pressure Balancing Shower
Valve Assembly**

- Same as the B-3306 except with a B-0970-01 vacuum breaker attached to Shower Queen hand spray hose assembly
- 1/2" NPT female connections on shower valve





NEW! B-3400 Series Pressure Balancing Shower Valves – Sweat Connections – 1.5 GPM



B-3400 Series Pressure Balancing Shower Valve, Shower Head and Tub Spout

- Solid brass pressure balancing shower valve with replaceable cartridge
- 1/2" nominal (5/8" O.D.) sweat connections on shower valve
- Integral supply stops
- Polished chrome handle controls volume and temperature
- Temperature limit stop
- **NEW!** 1.5 GPM polished chrome shower head with ball joint, arm and wall flange assembly
- Polished chrome faceplate with screws and gasket
- Slip-on tub spout with diverter lift knob in polished chrome plated finish
- ASSE 1016 Listed



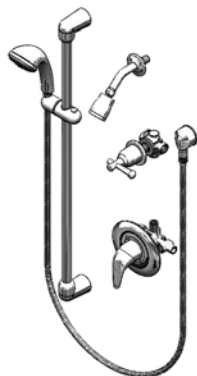
B-3404 Pressure Balancing Shower Valve

- Pressure balancing shower valve with trim plate and handle
- 1/2" nominal (5/8" O.D.) sweat connections on shower valve



B-3406 Pressure Balancing Shower Valve Assembly

- Includes B-3201 pressure balancing shower valve assembly with shower head, two-way diverter valve, wall outlet and hand spray hose assembly with slide bar
- 1/2" nominal (5/8" O.D.) sweat connections on shower valve



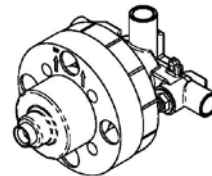
B-3401 Pressure Balancing Shower Valve Assembly

- Same as B-3400 except without tub spout
- 1/2" nominal (5/8" O.D.) sweat connections on shower valve



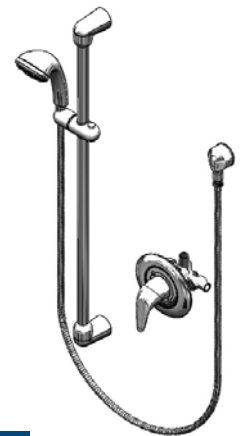
B-3404-PBV Pressure Balancing Shower Valve

- Rough-in pressure balancing shower valve (less trim and handle)
- 1/2" nominal (5/8" O.D.) sweat connections on shower valve



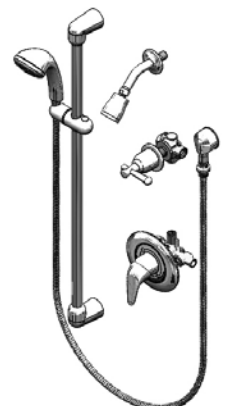
B-3405 Pressure Balancing Shower Valve Assembly

- Same as B-3406 except less shower head and diverter valve
- 1/2" nominal (5/8" O.D.) sweat connections on shower valve



B-3406-VB Pressure Balancing Shower Valve Assembly

- Same as the B-3406 except with vacuum breaker attached to hand spray hose assembly
- 1/2" nominal (5/8" O.D.) sweat connections on shower valve



Parts and Accessories:

018591-45	Bath and Shower Trim kit
018592-45	Shower Trim kit
018593-45	36" Slide Bar and Hand Shower Holder
018594-45	3 Function Hand Shower, 1.5 GPM
018595-45	59" Hand Shower Hose
018596-45	Wall Outlet
018597-45	1/2" Inline Vacuum Breaker
018590-45	2 Way Diverter Valve
B-3404-PBV	PB Shower Rough-In Valve

NEW! B-3500 Series Pressure Balancing Shower Valves – Threaded Connections – 1.5 GPM



NEW Shower Valve Models

B-3500 Series Pressure Balancing Shower Valve, Shower Head and Tub Spout with Threaded Connections

- Solid brass pressure balancing shower valve with replaceable cartridge
- 1/2" NPT female connections on shower valve
- Integral supply stops
- Polished chrome handle controls volume and temperature
- Temperature limit stop
- **NEW!** 1.5 GPM polished chrome shower head with ball joint, arm and wall flange assembly
- Polished chrome faceplate with screws and gasket
- Slip-on tub spout with diverter lift knob in polished chrome plated finish
- ASSE 1016 Listed



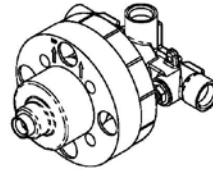
B-3501 Pressure Balancing Shower Valve Assembly

- Same as B-3500 except without tub spout
- 1/2" NPT female connections on shower valve



B-3504-PBV Pressure Balancing Shower Valve

- Rough-in pressure balancing shower valve (less trim and handle)
- 1/2" NPT female connections on shower valve



B-3504 Pressure Balancing Shower Valve

- Pressure balancing shower valve with trim plate and handle
- 1/2" NPT female connections on shower valve



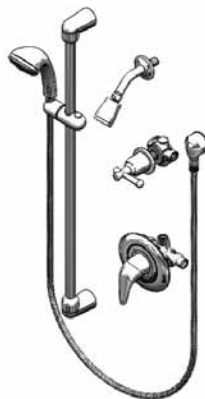
B-3505 Pressure Balancing Shower Valve Assembly

- Same as B-3406 except less shower head and diverter valve
- 1/2" NPT female connections on shower valve



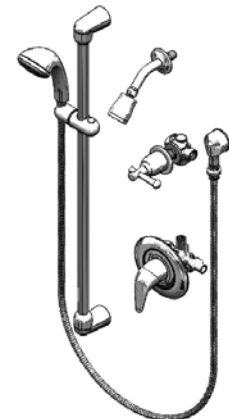
B-3506 Pressure Balancing Shower Valve Assembly

- Includes B-3501 pressure balancing shower valve assembly with shower head, two-way diverter valve, wall outlet and hand spray hose assembly with slide bar
- 1/2" NPT female connections on shower valve



B-3506-VB Pressure Balancing Shower Valve Assembly

- Same as the B-3406 except with vacuum breaker attached to hand spray hose assembly
- 1/2" NPT female connections on shower valve



Parts and Accessories:

018591-45	Bath and Shower Trim kit
018592-45	Shower Trim kit
018593-45	36" Slide Bar and Hand Shower Holder
018594-45	3 Function Hand Shower, 1.5 GPM
018595-45	59" Hand Shower Hose
018596-45	Wall Outlet
018597-45	1/2" Inline Vacuum Breaker
018590-45	2 Way Diverter Valve
B-3404-PBV	PB Shower Rough-In Valve



Bath and Shower Combinations

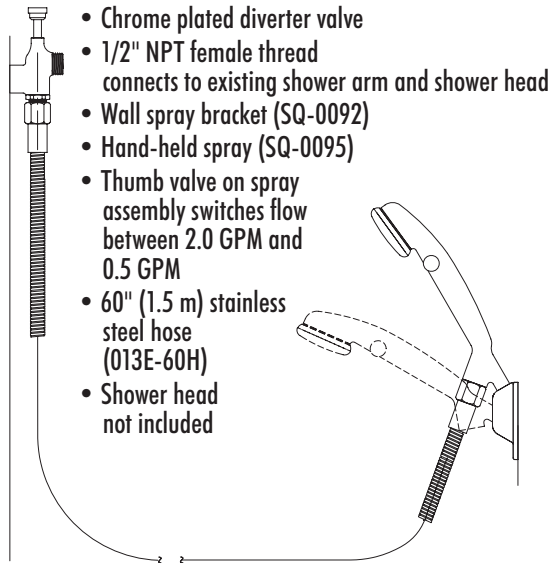
**B-0933-ST
Patient's Bath Fitting with Flexible Personal Spray**

- 8" concealed bypass mixing valve (B-1035-ST) with 1/2" NPT female union inlets
- Integral straight loose key stops (B-0416)
- Elevated atmospheric vacuum breaker (B-0929-A) with 1/2" NPT female connection
- B-0926 Shower Queen hand spray assembly with 1/2" NPT female wall flange connection
- B-0940 vertical slide bar with adjustable height hand spray bracket (used with SQ-0095)
- 60" (1524 mm) flexible hose (013E-60H) with hand spray (SQ-0095)
- Thumb valve on spray assembly switches flow between 2.0 GPM and 0.5 GPM



"Shower Queen" Flexible Personal Spray Assemblies

**B-0921
Shower Queen Assembly with Diverter Valve**



**B-0925
Shower Queen Assembly with Grab Bar**

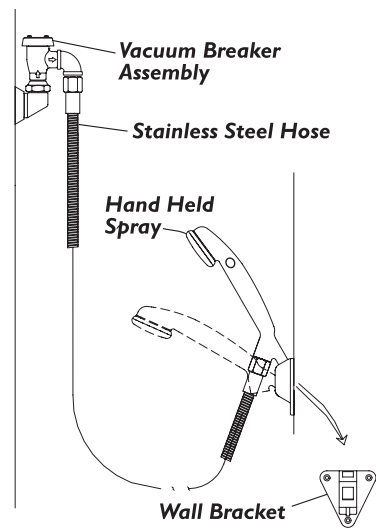
- 3/8" NPT female flanged wall outlet
- 60" (1.5 m) stainless steel hose (013E-60H)
- B-0940 slide bar 24" (610 mm) long
- Adjustable height hand spray bracket
- Thumb valve on spray assembly switches flow between 2.0 GPM and 0.5 GPM

B-0926 Same as B-0925 except with 1/2" NPT female wall outlet



**B-0930
Shower Queen Assembly**

- 1/2" NPT female inlet wall outlet
- 60" (1524 mm) stainless steel hose (013E-60H)
- Wall bracket to hold spray head at two angles
- Atmospheric vacuum breaker (B-0965)
- Thumb valve on spray assembly switches flow between 2.0 GPM and 0.5 GPM



**B-0937
Shower Queen Assembly**

- 1/2" NPT male inlet (055A)
- 60" (1.5 m) stainless steel hose (013E-60H)
- Hand held spray (SQ-0095)
- Thumb valve on spray assembly switches flow between 2.0 GPM and 0.5 GPM
- Wall bracket (SQ-0092)



**B-0938
Shower Queen Assembly**

- 1/2" NPT male inlet (055A)
- 60" (1.5 m) vinyl hose (013E-60V)
- Hand held spray (SQ-0095)
- Thumb valve on spray assembly switches flow between 2.0 GPM and 0.5 GPM
- Wall bracket (SQ-0092)

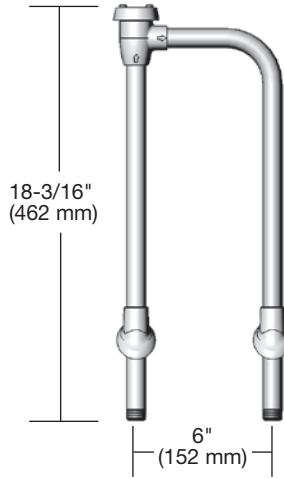


NEW Spray Design!

Vacuum Breaker Assemblies

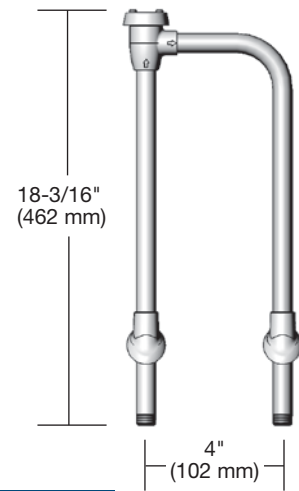
B-0455 Vacuum Breaker Assembly

- 6" (152 mm) C/C mounting vacuum breaker unit
- 1/2" NPT male connections
- Angled adjustable height slip flanges
- Pipes must be held rigid under sink with connection fitting, brace, etc.



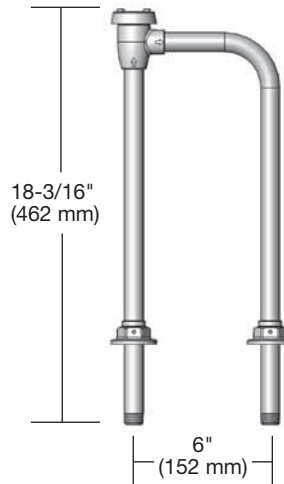
B-0455-04 Vacuum Breaker Assembly

- 4" (102 mm) C/C mounting vacuum breaker unit
- 1/2" NPT male connections
- Angled adjustable height slip flanges
- Pipes must be held rigid under sink with connection fitting, brace, etc.



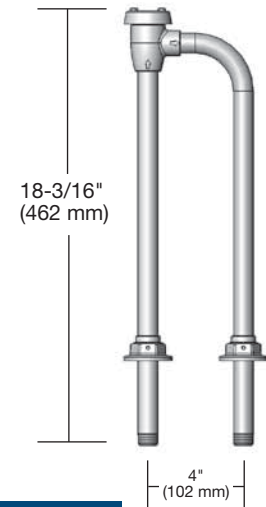
B-0456 Vacuum Breaker Assembly

- 6" (152 mm) C/C mounting vacuum breaker unit
- 1/2" NPT male connections
- Adjustable 2" (51 mm) diameter flanges
- Pipes must be held rigid under sink with connection fitting, brace, etc.



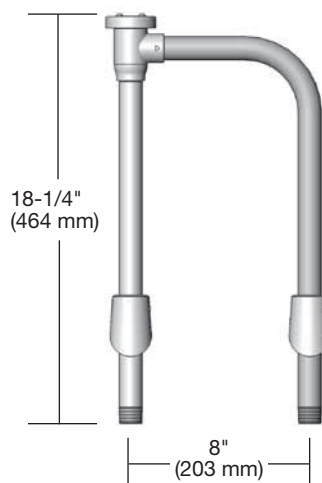
B-0456-04 Vacuum Breaker Assembly

- 4" (102 mm) C/C mounting vacuum breaker unit
- 1/2" NPT male connections
- Adjustable 2" (51 mm) diameter flanges
- Factory pre-assembled
- Pipes must be held rigid under sink with connection fitting, brace, etc.



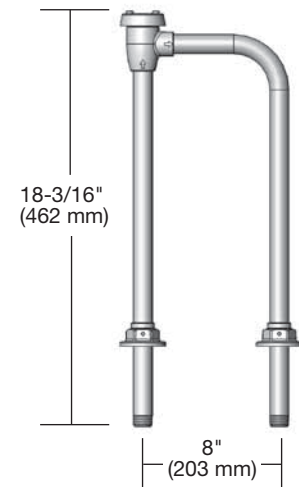
B-0457 Vacuum Breaker Assembly

- 8" (203 mm) C/C mounting vacuum breaker unit
- 3/4" NPT male connections
- Angled adjustable height slip flanges
- Pipes must be held rigid under sink with connection fitting, brace, etc.



B-0458 Vacuum Breaker Assembly

- 8" (203 mm) C/C mounting vacuum breaker unit
- 3/4" NPT male connections
- Adjustable 2" (51 mm) diameter flanges
- Pipes must be held rigid under sink with connection fitting, brace, etc.



Lab Hose Cocks and Turrets

**BL-4000-01
Hose Cock**



- Ball valve construction
- CSA approved for natural gas up to .5 psi max.
- 125 psi max. for other gases
- 3/8" NPT male inlet
- Serrated hose tip
- Snap-in color indexes included; gas, air or vacuum
- Length 3-7/8" (98 mm); height 1-7/8" (48 mm)

Note: **Not** for water, steam or oxygen



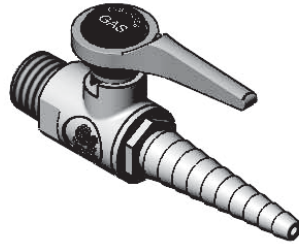
BL-4000-01M Master Box (12)

**BL-4005-01
Hose Cock**



- Ball valve construction
- Integral check valve inlet
- CSA approved for natural gas up to .5 psi max.
- 125 psi max. for other gases
- 3/8" NPT male inlet
- Serrated hose tip
- Snap-in color indexes included; gas or air
- Length 3-7/8" (98 mm); height 1-1/2" (37 mm)

Note: **Not** for water, steam or oxygen



**BL-4010-01
Needle Valve**

- 3/8" NPT male inlet
- Floating stainless steel needle point
- Serrated hose tip
- For use with oxygen and other special gases
- Length 3-13/16" (97 mm); height 2-3/4" (70 mm)
- 125 PSI maximum pressure

Note: **Not** be used for water or steam

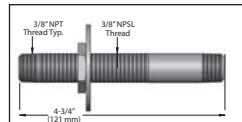


**BL-4100-0
Laboratory Turret**

- Two 3/8" NPT female outlets at 90°
- 3/8" NPT female inlet
- Black plastic mounting gasket included
- 2" (51 mm) diameter; height 3" (76 mm)
- 2-3/16" (55 mm) height to center of outlet



- BL-4100-01** One outlet
- BL-4100-02** Two outlets at 180°
- BL-4100-03** Three outlets at 90°
- BL-4100-04** Four outlets at 90°
- BL-4100-05** Top outlet only



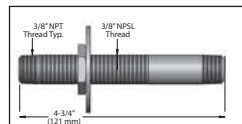
Note: BL-5500-10
3/8" supply nipple
with locknut and
washer

**BL-4102-0
Vandal Resistant
Lab Turret**

- 1/4" diameter anti-rotation pin
- Black plastic mounting gasket included
- 2" (51 mm) diameter; height 3" (76 mm)
- 2-3/16" (55 mm) height to center of outlet
- 3/8" NPT female inlet
- Two 3/8" NPT female side outlets at 90°



- BL-4102-01** One outlet
- BL-4102-02** Two outlets at 180°



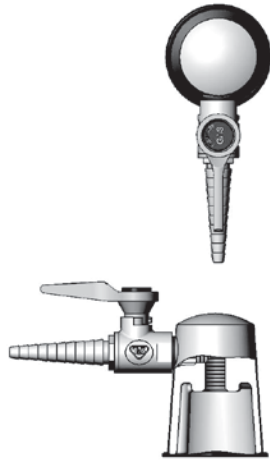
Note: BL-5500-10
3/8" supply nipple
with locknut and
washer

Lab Hose Cocks and Turrets

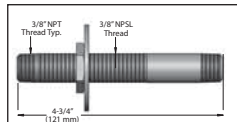
BL-4200-01 Turret with One Hose Cock



- 3/8" NPT female inlet
- Snap-in color indexes included; gas, air or vacuum
- Diameter 2" (51 mm); height 3-5/8" (92 mm)
- One (1) BL-4000-01 ball valve hose cock
- .5 psi max. for natural gas
- 125 psi max. for other gases



- BL-4200-0** Turret with two hose cocks at 90°
- BL-4200-02** Turret with two hose cocks at 180°
- BL-4200-03** Turret with three hose cocks
- BL-4200-04** Turret with four hose cocks

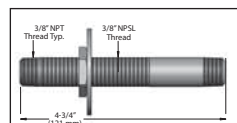
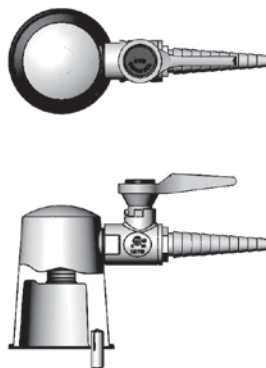


Note: BL-5500-10
3/8" supply nipple with locknut and washer (sold separately)

BL-4203-01 Vandal Resistant Turret with Hose Cock



- 1/4" diameter anti-rotation pin
- 3/8" NPT female bottom inlet
- BL-4000-01 ball valve hose cock
- 2" (51 mm) diameter; 3-5/8" (92 mm) height
- 2-3/16" (55 mm) height to center of outlet
- Snap-in color coded indexes included: gas, air or vacuum
- .5 psi max. for natural gas
- 125 psi max for other gases

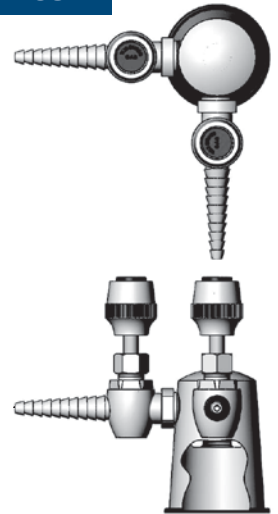


Note: BL-5500-10
3/8" supply nipple with locknut and washer (sold separately)

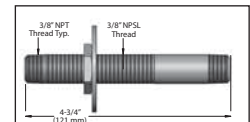
- BL-4203-0** Turret with two hose cocks at 90°
- BL-4203-02** Turret with two hose cocks at 180°
- BL-4203-04** Turret with four hose cocks at 90°

BL-4210-0 Turret with Needle Valves

- 3/8" NPT female bottom inlet
- Two BL-4010-01 needle valve hose cocks at 90°
- 2" (51 mm) diameter; 4-7/8" (124 mm) height
- 2-3/16" (56 mm) height to center of outlet
- Valve has floating stainless steel needle point
- For use with oxygen, hydrogen or other special gases up to 125 psi



- BL-4210-01** Turret with one needle hose cock
- BL-4210-02** Turret with two needle hose cocks at 180°
- BL-4210-04** Turret with four needle hose cocks at 90°

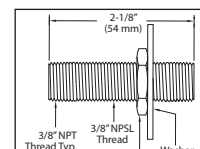
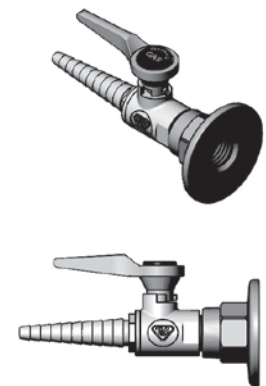


Note: BL-5500-10
3/8" supply nipple with locknut and washer (sold separately)

BL-4250-01 Panel Flange with Hose Cock



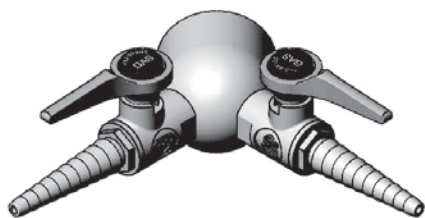
- 3/8" NPT female inlet
- BL-4000-01 ball valve hose cock
- Serrated hose tip
- 4-1/2" (114 mm) length
- 2" dia. (51 mm) wall flange
- Snap-in color coded indexes included: gas, air or vacuum
- .5 psi max. for natural gas
- 125 psi max for other gases



Note: BL-5500-07
3/8" supply nipple with locknut and washer (sold separately)

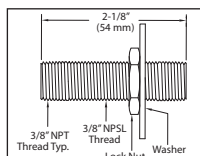
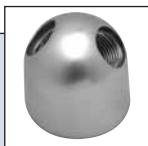
Panel Flanges, Hose Cocks and Turrets

BL-4250-02 Double Panel Flange with Two Hose Cocks



- 3/8" NPT female inlet
- Two BL-4010-0 ball valve hose cocks with serrated hose tips at 90°
- 3-7/8" (98 mm) from wall
- 1-3/4" (44 mm) flange diameter
- 6-1/16" (154 mm) width
- Snap-in color coded indexes included: gas, air or vacuum
- .5 psi max. for natural gas
- 125 psi max for other gases

Inset: BL-4250-05
Double panel flange
with 3/8" NPT inlet
and dual outlets



Note: BL-5500-07
3/8" supply
nipple with lock-
nut and washer
(sold separately)

BL-4250-07 Flanged Elbow

- 3/8" NPT female inlet and outlet
- 2" dia. (51 mm) flange
- 2-1/4" (57 mm) from flange surface to center of outlet
- Can be mounted vertically or horizontally



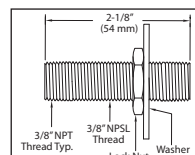
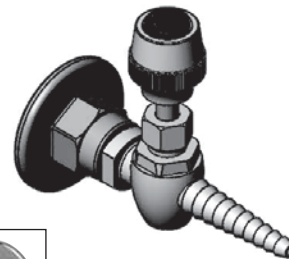
BL-4250-08 Wye Fitting

- 3/8" NPT male inlet
- Two 3/8" NPT female outlets at 70°



BL-4260-01 Panel Flanges with Needle Valve

- 3/8" NPT female inlet
- BL-4010-01 needle valve hose cock with serrated hose tip
- 4-7/16" (113 mm) length from wall to tip
- 2" dia. (51 mm) flange
- Snap-in color coded indexes included: gas, air or vacuum

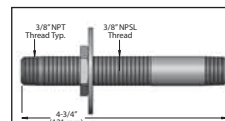


Note: BL-5500-07
3/8" supply
nipple with lock-
nut and washer
(sold separately)

Panel Flanges:
BL-4250-03 3/8" NPT female inlet and outlet
BL-4250-04 1/2" NPT female inlet and outlet
BL-4250-06 1/2" NPT female inlet, 3/8" NPT female outlet

BL-4300-0 Turret with Two Straight Stops

- Turret with two straight stops (BL-4500-1) at 90°
- 3/8" NPT female inlet
- Serrated hose tips
- 5-7/16" (138 mm) from center of inlet to end of tip
- 5-11/16" (144 mm) height
- 2" (51 mm) diameter turret
- Snap-in color coded indexes included: gas, air or vacuum



Note: BL-5500-10
3/8" supply nipple
with locknut and
washer (sold
separately)

BL-4300-01 Turret with one straight stop
BL-4300-02 Turret with two straight stops
at 180°

BL-4422-0 Turret with Two Water Outlets

- 2" (51 mm) dia. turret base
- Double water outlet at 90° with angle serrated hose tips
- Atmospheric vacuum breakers
- 3/8" NPT female inlet

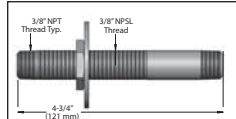


BL-4422-01 Same as BL-4422-0 except with one water outlet

Panel Flanges, Stops and Turrets

BL-4350-01 Panel Flange with Straight Stop

- 3/8" NPT female inlet
- Serrated hose tip
- 5-11/16" (144 mm) length
- 2" (51 mm) diameter flange
- Snap-in color coded indexes included: gas, air or vacuum
- Internal floating stainless steel cone regulates gas flow as handle is turned
- CSA approved for natural gas (.5 psi max.)
- 125 psi max. for other gases



Note: BL-5500-10
3/8" supply nipple
with locknut and
washer (sold
separately)

BL-4355-01 Same as
BL-4350-01 except with
green cold water index

BL-4500-01 Straight Stops

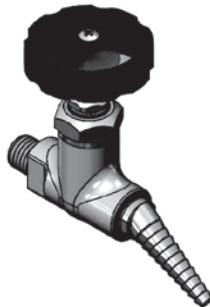
- 3/8" NPT male inlet
- 5-3/16" (132 mm) length
- Serrated hose tip
- Snap-in color coded indexes included: gas, air or vacuum
- Internal floating stainless steel cone regulates gas flow as handle is turned
- CSA approved for natural gas (.5 psi max.)
- 125 psi max. for other gases



BL-4500-02 Same as BL-4500-01 except with Eterna construction
for water with green cold water index

BL-4500-04 Steam Stop

- 3/8" NPT male inlet
- Angle serrated hose tip
- Black heat resistant composition handle
- Internal floating stainless steel cone regulates steam flow as handle is turned



BL-4501-01 Straight Stop

- Grease-free straight stop for special gases
- 3/8" NPT male inlet
- Internal floating stainless steel cone regulates gas flow as handle is turned
- Serrated hose tip
- 125 psi max.



BL-4520-01 Angle Stop

- Serrated hose tip
- Snap-in color coded indexes included: gas, air or vacuum
- Internal floating stainless steel cone regulates gas flow as handle is turned
- 3-3/8" (86 mm) length from center
- 4-13/16" (122 mm) height



Note: 3/8" NPT female or 1/2" NPT
male inlet available upon request

BL-4520-02 Same as BL-4520-01 except Eterna
construction for water with green cold water index

Remote Control Valve Units

BL-4700-01 Remote Control Straight Valve Unit



- 3/8" NPT female inlet and outlet
- Stainless steel floating cone and removable seat
- Snap-in color coded indexes included: gas, air or vacuum
- 18" (457 mm) distance from center of valve to face of panel is field adjustable for shorter distances
- 2" dia. (51 mm) polished chrome panel flange with mounting screws

BL-4700-01MF Same as BL-4700-01 except with guide bushing for metal furniture

BL-4700-02 Same as BL-4700-01 except with Eterna construction for water with green cold water index

BL-4720-01 Remote Control Angle Valve Unit



- 3/8" NPT female inlet and outlet
- Outlet at 90° to inlet
- Stainless steel floating cone and removable seat
- Snap-in color coded indexes included: gas, air or vacuum
- 18" (457 mm) distance from center of valve to face of panel is field adjustable for shorter distances
- 2" dia. (51 mm) polished chrome panel flange with mounting screws

BL-4720-01MF Same as BL-4720-01 except with guide bushing for metal furniture

BL-4720-02 Same as BL-4720-01 except with Eterna construction for water with green cold water index

BL-4720-02MF Same as BL-4720-02 except with guide bushing for metal furniture

BL-4720-03 Same as BL-4720-01 except with black heat resistant handle for steam

BL-4710-01 Remote Control Straight Valve Unit



- Universal joint at valve to correct for minor misalignment
- 3/8" NPT female inlet and outlet
- Stainless steel floating cone and removable seat
- Snap-in color coded indexes included: gas, air or vacuum
- 18" (457 mm) distance from center of valve to face of panel is field adjustable for shorter distances
- 2" dia. (51 mm) polished chrome panel flange with mounting screws

BL-4710-02 Same as BL-4710-01 except with Eterna construction for water with green cold water index

BL-4710-03 Same as BL-4710-01 except with black heat resistant handle for steam

BL-4730-03 Remote Control Angle Valve Unit



- Universal joint at valve to correct for minor misalignment
- 3/8" NPT female inlet and outlet
- Outlet at 90° to inlet
- Stainless steel floating cone and seat for steam
- Black heat-resistant handle
- Snap-in color coded indexes included: gas, air or vacuum
- 18" (457 mm) distance from center of valve to face of panel is field adjustable for shorter distances
- 2" dia. (51 mm) polished chrome panel flange with mounting screws

Support Rods and Accessories

BL-9000-01 Upright Rod

- 3/4" (19 mm) diameter aluminum rod
- 39" (991 mm) long
- Tapered on one end to fit BL-9000-09 flush plate

BL-9000-04 Aluminum Adapter

- 2-5/32" (55 mm) long aluminum adapter to receive threaded rods
- Tapered to fit BL-9000-09 flush plate

BL-9000-09 Flush Plate

- 1-1/8" (29 mm) diameter shank
- Fits table tops from 3/8" (9 mm) to 1-1/2" (38 mm) thick
- Fits into recess in table to receive BL-9000-01 and BL-9000-04 upright rods
- Polished chrome plated brass



BL-9000-10 Clamp

- For 3/4" (19 mm) diameter aluminum rods (BL-9000-01, BL-9000-03 and BL-9000-05)
- Polished aluminum finish



BL-9000-03 Upright Rod

- Threaded upright 1/2" (51 mm) dia. aluminum rod
- 36" (914 mm) overall length
- Tapered 3/8-16 UNC thread to fit BL-9000-04 adapter

BL-9000-05 Aluminum Cross Bar

- 3/4" diameter aluminum rod
- 39" (991 mm) long

BL-9005-01 Crowned Top Flush Plate

- Convex top surface for use on tabletops without recess
- 1-1/8" (29 mm) diameter thread
- Fits table tops from 3/8" (9 mm) to 1-1/2" (38 mm) thick
- Designed to receive BL-9000-01 upright rods and BL-9000-04 adapters
- Polished chrome plated brass



Double Ledge Faucets

BL-5700-01 Double Ledge Faucet



- Single hole deck-mount laboratory mixing faucet
- 5-5/8" (143 mm) rigid gooseneck with serrated hose tip
- 18" (457 mm) flexible inlets with 5/8" compression 1/2" NPSM male couplings
- Eterna cartridges
- Four arm handles with color coded indexes
- 13-11/16" (347 mm) height
- 1-1/8" (25 mm) shank diameter
- Mounting gasket included



BL-5700-04



BL-5700-02 Same as BL-5700-01 except with 5-15/16" (151 mm) swivel gooseneck, 13-5/8" (346 mm) height

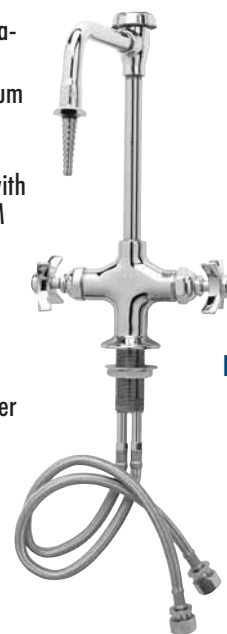
BL-5700-03 Same as BL-5700-02 except with swivel to rigid conversion washer

BL-5700-04 Same as BL-5700-01 except with 2.2 GPM aerator in place of serrated tip (right)

BL-5700-08 Double Ledge Faucet



- Single hole deck-mount laboratory mixing faucet
- 5-11/16" (144 mm) rigid vacuum breaker nozzle with serrated hose tip
- 18" (457 mm) flexible inlets with 5/8" compression 1/2" NPSM male couplings
- Eterna cartridges
- Four arm handles with color coded indexes
- 12-1/4" (311 mm) height
- 1-1/8" (29 mm) shank diameter
- Mounting gasket included



BL-5700-09



BL-5700-08-VR Same as BL-5700-08 except with anti-rotation screws in base and vandal-resistant handle screws

BL-5700-09 Same as BL-5700-08 except swivels at vacuum breaker (right)



Double Ledge Faucets

BL-5704-01 Double Ledge Faucet

Identical to the BL-5700-01 Family of Faucets

- Single hole deck-mount laboratory mixing faucet
- 5-5/8" (143 mm) rigid gooseneck with serrated hose tip
- 18" flexible inlet hoses (compression fittings for 5/8" O.D. tubing or 1/2" NPSM male thread)
- Eterna cartridges
- Four arm handles with color coded indexes
- 13-11/16" (347 mm) height
- 1-1/8" (25 mm) shank diameter
- Mounting gasket included

- BL-5704-02** Same as BL-5704-01 except with 5-7/8" (149 mm) swivel gooseneck
- BL-5704-03** Same as BL-5704-02 except with swivel to rigid conversion washer
- BL-5704-04** Same as BL-5704-01 except with 2.2 GPM aerator in place of serrated tip
- BL-5704-05** Same as BL-5704-04 except with quarter-turn Eterna cartridges and 4" (102 mm) wrist action handles



BL-5704-08 Double Ledge Faucet

Identical to the BL-5700-08 Family of Faucets

- Single hole deck-mount laboratory mixing faucet
- 5-11/16" (144 mm) rigid vacuum breaker nozzle with serrated hose tip
- 18" flexible inlet hoses (compression fittings for 5/8" O.D. tubing or 1/2" NPSM male thread)
- Eterna cartridges
- Four arm handles with color coded indexes
- 12-1/4" (311 mm) height
- 1-1/8" (29 mm) shank diameter
- Mounting gasket included

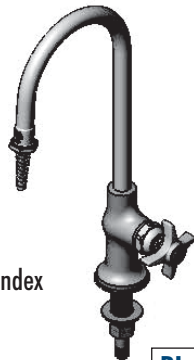
- BL-5704-09** Same as BL-5704-08 except swivels at vacuum breaker
- BL-5704-08WH4** Same as BL-5704-08 except with 4" (102 mm) wrist action handles



Single Ledge Lab Faucets

BL-5705-01 Single Ledge Faucet

- Single hole single temperature deck-mount laboratory mixing faucet
- 5-5/8" (143 mm) rigid gooseneck with serrated hose tip
- 1/2" NPSM male inlet
- 14-1/8" (359 mm) height
- Mounting gasket included
- Eterna cartridges
- Four arm handle with green cold water index
- Fits counters up to 1-1/2" (28 mm) thick
- Includes tailpiece and nut for 1/4" NPT connection (150A)



BL-5705-04



- BL-5705-02** Same as BL-5705-01 except with 5-15/16" (151 mm) swivel gooseneck, height 14-3/16" (360 mm)
- BL-5705-03** Same as BL-5705-02 except with rigid to swivel conversion washer
- BL-5705-04** Same as BL-5705-01 except with 2.2 GPM aerator in place of serrated tip (right)

BL-5705-08 Single Ledge Faucet

- Single hole single temperature deck-mount laboratory faucet
- 5-11/16" (144 mm) rigid vacuum breaker nozzle with serrated hose tip
- 1/2" NPSM male inlet
- 12-11/16" (322 mm) height
- Mounting gasket included
- Eterna cartridges
- Four arm handle with green cold water index
- Fits counters up to 1-1/2" (28 mm) thick
- Includes tailpiece and nut for 1/4" NPT connection (150A)



- BL-5705-09** Same as BL-5705-08 except swivels at vacuum breaker
- BL-5705-08-VR** Same as BL-5705-08 except with anti-rotation screws in base and vandal-resistant handle screw



Lab Faucets

BL-5710-01
Single Sink Faucet

- Single hole single temperature wall-mount laboratory faucet
- 1/2" NPT female inlet with 2-3/16" (55 mm) dia. flange
- 5-5/8" (143 mm) rigid gooseneck with serrated hose tip
- 11-7/16" (291 mm) height from center of inlet to top of gooseneck
- 8-1/4" (209 mm) distance from wall to outlet
- Eterna cartridges
- Four arm handle with green cold water index



- BL-5710-03** Same as BL-5710-01 except with 5-15/16" (151 mm) swivel gooseneck
- BL-5710-07** Same as BL-5710-01 except with 5-7/16" (138 mm) rigid vacuum breaker nozzle
- BL-5710-09** Same as BL-5710-01 except swivels at vacuum breaker

- BL-5860-01TL** Same as BL-5710-01 except interior tin-lined for distilled water, with four arm handle

BL-5725-08
Sink Mixing Faucet

- 8" wall-mount laboratory mixing faucet
- 5-11/16" (144 mm) rigid vacuum breaker nozzle with serrated hose tip
- 1/2" NPT female eccentric flanged inlets
- Eterna cartridges
- Four arm handles with color coded indexes
- 9-1/2" (241 mm) height from center of inlet to top of gooseneck



- BL-5725-01** Same as BL-5725-08 except with 5-5/8" (143 mm) rigid gooseneck (inset, right)
- BL-5725-02** Same as BL-5725-01 except with 5-15/16" (151 mm) swivel gooseneck
- BL-5725-09** Same as BL-5725-08 except with swivels at vacuum breaker



BL-5715-08
Ledge Mixing Faucet

- 8" deck-mount laboratory mixing faucet
- 5-11/16" (144 mm) rigid vacuum breaker nozzle with serrated hose tip
- 1/2" NPT female eccentric flanged inlets (00AA)
- Eterna cartridges
- Four arm handles with color coded indexes
- 12" (305 mm) height from deck to top of vacuum breaker



- BL-5715-01** Same as BL-5715-08 except with 5-5/8" (143 mm) rigid gooseneck (inset, above)
- BL-5715-02** Same as BL-5715-01 except with 5-15/16" (151 mm) swivel gooseneck
- BL-5715-09** Same as BL-5715-08 except with swivels at vacuum breaker (inset, right)

BL-5707-01
Single Science Table Faucet

- Single hole single temperature deck-mount laboratory faucet
- 1/2" NPSM male inlet
- 2" (51 mm) diameter base flange
- Two brass balls lock into table top indents to prevent vandalizing (drilling template included)
- 6-3/8" (162 mm) vacuum breaker nozzle with serrated hose tip
- 13-3/16" (335 mm) height
- 1/2" NPT heavy duty riser pipe
- Eterna cartridges
- Four arm handle with green cold water index
- Includes tailpiece and nut for 1/4" NPT connection (150A)



- BL-5707-04** Same as BL-5707-01 except handle is 180° to nozzle



Lab Faucets

BL-5707-03
Combination Science Table Faucet

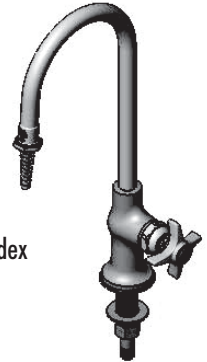
- Combination science table faucet
- 1/2" NPSM male inlets
- 2" (51 mm) diameter on bases
- 12-3/4" (324 mm) height
- Brass balls lock into table top indents to prevent vandalizing (drilling template included)
- 5-7/16" (138 mm) spread nozzles
- 1/2" NPT heavy duty riser pipes
- Vacuum breaker nozzles with serrated hose tips
- Mounting gasket included
- 6" (152 mm) distance between centers of faucets
- One hot index, one cold index
- Includes tailpieces and nuts for 1/4" NPT connections (150A)



BL-5709-01
Single Ledge Faucet

Identical to the BL-5705-01 Family of Faucets

- Single hole deck-mount laboratory mixing faucet
- 5-5/8" (143 mm) rigid gooseneck with serrated hose tip
- 1/2" NPSM male inlet
- 14-1/8" (359 mm) height
- Mounting gasket included
- Eterna cartridges
- Four arm handle with green cold water index
- Fits counters up to 1-1/2" (28 mm) thick
- Includes tailpiece and nut for 1/4" NPT connection (150A)



BL-5709-02 Same as BL-5709-01 except with swivel gooseneck, height 14-3/16" (360 mm)

BL-5709-04 Same as BL-5709-01 except with B-0199-02 aerator in place of serrated tip

BL-5709-08
Single Ledge Faucet

Identical to the BL-5705-08 Family of Faucets

- Single hole deck-mounted laboratory mixing faucet
- 5-11/16" (144 mm) rigid vacuum breaker nozzle with serrated hose tip
- 1/2" NPSM male inlet
- 12-11/16" (322 mm) height
- Mounting gasket included
- Eterna cartridges
- Four arm handle with green cold water index
- Fits counters up to 1-1/2" (28 mm) thick
- Includes tailpiece and nut for 1/4" NPT connection (150A)



BL-5709-09 Same as BL-5709-08 except with swivels at vacuum breaker

BL-5709-05 Same as BL-5709-09 except with swivel nozzle with swivel to rigid conversion washer and 4" (102 mm) wrist action handle

BL-5709-08WH4 Same as BL-5709-08 except with 4" (102 mm) wrist action handle

BL-5735-01
Wall Mounted Mixing Faucet

- 1/2" NPT female vertical inlets (hot on top, cold on bottom)
- 5-5/8" (143 mm) rigid gooseneck with serrated hose tip
- Eterna cartridges
- Four arm handles with color coded indexes



BL-5735-09 Same as BL-5735-01 except with vacuum breaker swing nozzle and rigid riser

BL-5735-02 Same as BL-5735-01 except with 5-11/16" (144 mm) swivel gooseneck



Lab Faucets

BL-5740-01
Sink Mixing Faucet

- Wall-mount mixing faucet
- 1/2" NPT female flanged adjustable arm inlets
- Adjustable centers from 2-1/4" (57 mm) to 8-1/4" (210 mm)
- 5-11/16" (144 mm) rigid gooseneck with serrated hose tip
- Eterna cartridges
- Four arm handles with color coded indexes
- 11-1/16" (281 mm) height from center of faucet to top of gooseneck
- 8-3/4" (222 mm) from wall to outlet of gooseneck



BL-5740-02 Same as BL-5740-01 except with swivel gooseneck
BL-5740-08 Same as BL-5740-01 except with rigid vacuum breaker nozzle

BL-5755-01
Single Temperature Lab Faucet

- Single hole single temperature deck-mount faucet
- 1/2" NPSM male inlet
- Fits counters up to 1-1/2" (38 mm) thick
- 9" (229 mm) swing nozzle with stream regulator outlet
- Eterna cartridge
- Four arm handle with green cold water index
- Includes tailpiece and nut for 1/4" NPT connection (150A)



BL-5800-02
Single Supply Lab Faucet

- Single temperature wall-mount faucet
- Serrated hose tip
- Eterna cartridge
- Four arm handle with green cold water index
- 1/2" NPT female inlet
- 3-11/16" (94 mm) spread



BL-5750-01
Sink Mixing Faucet

- Single hole deck-mount mixing faucet
- 9" (229 mm) swing nozzle with stream regulator outlet
- Eterna cartridges
- Four arm handles with color coded indexes
- 18" flexible inlet hoses (compression fittings for 5/8" O.D. tubing or 1/2" NPSM male thread)



BL-5775-08
Sink Mixing Faucet

- 8" (203 mm) wall-mount mixing faucet
- 1/2" NPT female eccentric flanged adjustable inlets (00AA)
- 8-5/8" (219 mm) vacuum breaker swing nozzle with serrated hose tip
- Eterna cartridges
- Four arm handles with color coded indexes



BL-5775-01 Same as BL-5775-08 except with 9" (229 mm) swing nozzle (no vacuum breaker) and stream regulator outlet

BL-5850-01
Single Self-Closing Ledge Faucet

- Single hole single temperature wall-mount laboratory faucet
- 1/2" NSM male inlet
- 5-5/8" (143 mm) rigid gooseneck with serrated hose tip
- 14-1/8" (359 mm) height
- Fast self-closing cartridge
- Four arm handle with green cold water index
- Includes tailpiece and nut for 1/4" NPT connection (150A)



BL-5850-01TL Same as BL-5850-01 except interior is tin-lined for distilled water
BL-5850-02 Same as BL-5850-01 except with 5-7/8" (149 mm) swivel gooseneck

Lab Faucets

BL-6000-02
Combination Gas and Water Faucet

- Combination unit with gooseneck and two ball valve hose cocks with gas indexes
- 3/8" NPT male inlets for water and gas
- 6-1/16" (154 mm) gooseneck with serrated hose tip
- Compression cartridge
- 10-1/2" (267 mm) height
- Four arm handle with green cold water index
- Furnished with two (2) supply nipples, special lock washer, lock nuts and mounting gasket



BL-6000-03 Same as BL-6000-02 except 15-1/4" (387 mm) height and 8" (203 mm) spread gooseneck

BL-6005-02
Combination Gas and Water Faucet

- Combination unit with rigid vacuum breaker nozzle and two ball valve hose cocks with gas indexes
- 3/8" NPT male inlets for water and gas
- 6-1/16" (154 mm) vacuum breaker gooseneck with serrated hose tip
- Compression cartridge
- 11-1/2" (292 mm) height
- Four arm handle with green cold water index
- Furnished with two (2) supply nipples, special lock washer, lock nuts and mounting gasket



BL-6005-03 Same as BL-6005-02 except with 7-15/16 (202 mm) gooseneck

Lab Faucets and Miscellaneous Fixtures

BL-6050-01
Multi-Water Fixture

- 2" (51 mm) diameter turret
- 1/2" NPT female inlet
- 18-3/8" (466 mm) overall height
- 5-5/8" (143 mm) rigid gooseneck with serrated hose tip
- Gooseneck control valve with Eterna cartridge
- Side straight water stop with serrated tip and Eterna cartridge
- Four arm handles with green cold water index

Note: BL-5500-12 supply nipple and lock nut sold separately



BL-6050-02 Same as BL-6050-01 except with two bottom valves at 180°

BL-9505-01
PVC Single Ledge Faucet
Compression Type

- Single hole single temperature deck-mount PVC faucet
- 6-3/16" (157 mm) rigid gooseneck with serrated hose tip
- 1-1/4" (32 mm) diameter threaded shank and locknut
- 3/8" NPT female inlet
- All PVC for use with distilled water
- Knob handle with white distilled water index
- 11-7/8" (302 mm) height



BL-9505-02 Same as BL-9505-01 except no shank and lock nut, with 1/2" NPT female inlet

BL-9515-01
PVC Single Ledge Faucet Self-Closing

- Single hole single temperature deck-mount PVC faucet
- 6-3/16" (157 mm) rigid gooseneck with serrated hose tip
- Dual lever control for manual (up) or self-closing (down) operation
- 1-1/4" (32 mm) dia. shank and locknut
- 3/8" NPT female inlet
- All PVC for use with distilled water
- 11-7/8" (302 mm) height

BL-9515-02 Same as BL-9515-01 except no shank and lock nut, with 1/2" NPT female inlet
BL-9515-03 Same as BL-9515-01 except self-closing only



Lab Accessories

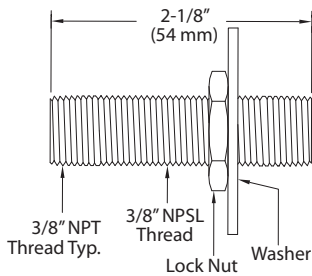
BL-5500-0
Filter Pump (Aspirator)

- 3/8" NPT male inlet
- Includes check valve
- 2-15/16" (75 mm) overall length
- Creates suction by water flow



BL-5500-07
Supply Nipple Unit

- Supply nipple and lock nut
- 3/8" NPT male ends
- 2-1/8" (54 mm) long
- Used with panel flanges



BL-5500-09 Same as BL-5500-07 except with 1/2" NPT male ends, 2" (51 mm) long for use on panel mount faucets

BL-5505-07
Four Arm Handle

- Black polypropylene with green cold water index
- 193LC Blue cold water index and screw with handle
- 193LH Red hot water index and screw with handle



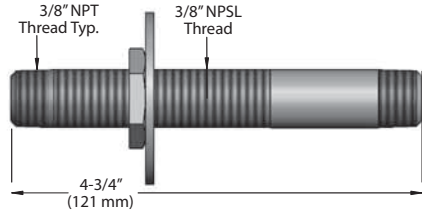
BL-5545-01
Volume Control Unit

- Volume control fitting
- Adjustable volume from 0.1 GPM to 3.0 GPM @ 60 PSI
- 3/8" NPT inlet and outlet



BL-5500-10
Supply Nipple Unit

- 3/8" supply nipple, lock nut and washer
- 3/8" NPT male ends
- 4-3/4" (121 mm) long
- For use with BL-4100 turret series



BL-5550-01
Aerator

- 2.2 GPM aerator (Series 2) with 3/8" NPSM male adapter
- Fits lab goosenecks



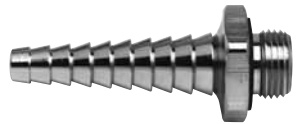
BL-5550-01F-XX Series
Aerator

GPM ± 10% **To order:**
Select flow desired, then add suffix to model number. For ex.: B-5550-01**F-05** for 0.40 GPM
Note: Painted mark on each flow control within the assembly indicates flow of unit.

Aerator Flow Tower Chart		
Flow (GPM)	Suffix	Color Code
0.25	F-03	No color
0.40	F-05	Brown
0.70	F-07	Green
0.90	F-10	Grey
1.20	F-12	Orange
1.40	F-15	Purple
2.00	F-20	Yellow

BL-5550-04
Straight Serrated Hose Tip

- 3/8" (9 mm) NPT male inlet
- Serrated hose tip accepts plastic or rubber up to 1/2" I.D.
- 2-5/8" (67 mm) long
- Fits lab goosenecks and nozzles



BL-5550-05 Same as BL-5550-04 except with angle tip

Lab Accessories

**BL-5550-09
Vacuum Breaker**

- Anti-siphon vacuum breaker prevents back siphonage
- 3/8" NPT male inlet and female outlet
- Used on outlets of goosenecks
- Use BL-5550-04 on tip on outlet



**BL-5550-10
Vacuum Breaker**

- Garden hose vacuum breaker prevents back siphonage
- 3/4" female garden hose inlet and male outlet
- Used to attach garden hose to unprotected hose bibb outlets
- Includes rubber washer and set screw



**BL-5550-23
Rigid to Swivel Adapter**

- Rigid to swivel adapter
- Accepts T&S goosenecks and swing nozzles
- Use for field conversion where a faucet with 3/8" NPT outlet is installed and a swivel gooseneck or nozzle is required
- Use two washers (part no. 000986-45) to make nozzle or gooseneck rigid
- 1-5/16" (33 mm) height



**BL-5550-12
Vandal Resistant Aerator**

- 2.2 GPM vandal-resistant aerator
- 3/8" NPSM male inlet
- Use special wrench to attach (included)
- 3/4" total length
- Fits lab goosenecks and nozzles



**BL-5550-24
Swivel to Rigid Adapter**

- Swivel to rigid adapter
- Accepts T&S rigid goosenecks and nozzles
- Used for field conversion where a faucet with swivel outlet is installed and a 3/8" rigid pipe gooseneck is required
- Converts swivel outlet to 3/8" NPT female for rigid connection
- 1" (25 mm) height



**BL-5550-30
Restricted Swing Adapter**

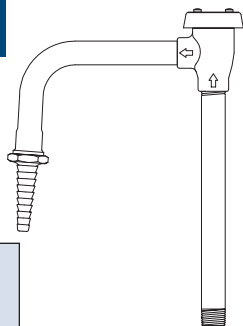
- Fits rigid outlet faucets (3/8" NPT female)
- Restricts the swivel action to 100°
- Includes special swivel adapter with restrictor pins to convert existing swing nozzles and swivel goosenecks
- Not for rigid goosenecks



Lab Accessories

BL-5560-01
Rigid Gooseneck with Vacuum Breaker

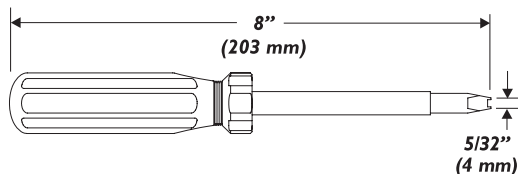
- 3/8" NPT male inlet
- Serrated hose tip
- 8-7/8" (225 mm) total height
- 5-7/16" (138 mm) spread



BL-5560-02 Same as BL-5560-01 except with swivel connection at vacuum breaker

BL-5707-05
Spanner Screwdriver

- #8 spanner screwdriver



BL-5561-02
Lab Nozzle

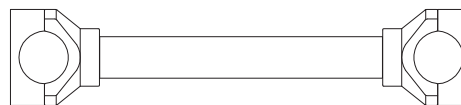
- 9" (229 mm) lab nozzle
- Stream regulator outlet
- Fits swivel faucets



BL-5561-01 same as BL-5561-02 except 6" (152 mm) spread
BL-5561-03 same as BL-5561-02 except 12" (305 mm) spread

BL-5707-10
Vandal Resistant Brace

- 6" (152 mm) vandal resistant brace
- For use on lab equipment
- Two split clamps fit tightly on 3/8" NPS pipe



Loose Key Stops

B-0415
Straight Loose Key Stop

- 3/8" NPT female inlet and outlet
- Includes loose key tee handle



B-0416 Same as B-0415 except with 1/2" NPT female inlet and outlet

B-1305
Angle Loose Key Stop

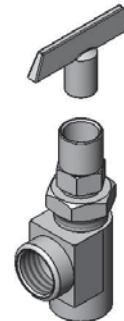
- Flexible supply assembly with loose key angle stop
- 1/2" NPT female inlet
- 1/2" O.D. x 12" (305 mm) long flexible copper tube
- 2-1/2" (64 mm) diameter wall flange
- Includes loose key tee handle and screw



B-1305-01 Same as B-1305 except with 3/8" O.D. flexible copper tube
B-1306 Same as B-1305 except with 3/8" NPT female inlet
B-1306-01 Same as B-1306 except with 3/8" O.D. flexible copper tube

B-0418
Angle Loose Key Stop

- 1/2" NPT female inlet and outlet
- Includes loose key tee handle



B-1311
Angle Key Stop

- 3/8" NPT female inlet
- Outlet with compression nut and sleeve to fit 1/2" (13 mm) O.D. copper tubing
- Includes loose key tee handle and screw



B-1336
Angle Key Stop

- 3/8" NPT female inlet
- 3/8" NPT female outlet
- Includes loose key tee handle and screw
- Vandal resistant (loose key stop)



Loose Key Stops

B-1340 Angle Stop



- 1/2" NPT female inlet
- Eterna compression cartridge
- Four arm handle with blue index (175FC)
- Outlet with compression nut and sleeve to fit 1/2" (13 mm) O.D. copper tubing



B-1341 Same as B-1340 except with 3/8" NPT female inlet

B-1344 Angle Stop



- Angle stop with four arm handle
- Eterna spindle assembly (084A)
- 1/2" NPT female inlet, 3/8" NPT female outlet



B-1345 Same as B-1344 except with 3/8" NPT female inlet

B-1350 Angle Loose Key Stop

- 1/2" NPT female inlet
- Loose key spindle assembly (124A)
- 1/2" NPT male union coupling outlet
- 2" (51 mm) diameter adjustable flange
- Includes loose key tee handle and screw



B-1351 Same as B-1350 except with 3/8" NPT female union coupled outlet

B-1342 Loose Key Angle Stop

- 1/2" NPT female inlet
- Loose key spindle assembly (124A)
- Outlet with compression nut and sleeve to fit 1/2" (13 mm) O.D. copper tubing
- Includes loose key tee handle and screw



B-1346 Loose Key Angle Stop

- 1/2" NPT female inlet
- Loose key spindle assembly (124A)
- 3/8" NPT female outlet
- Includes loose key tee handle and screw



B-1355 Angle Loose Key Stop

- 3/8" NPT female union coupling inlet
- Loose key spindle assembly (124A)
- 3/8" NPT female outlet
- 2" (51 mm) diameter adjustable flange
- Includes loose key tee handle and screw



Low Flow Outlets

For Water Conservation Plumbing Models



Aerators



		Series 1	Series 2	Series 3	Series 4	Series 5
	Flow Rate	<ul style="list-style-type: none"> 55/64-27 UN female aerator threads Fits all swing nozzles and 131X, 133X goosenecks 	<ul style="list-style-type: none"> Includes 3/8" NPSM male thread adapter (044A) and washer (001043-45) Fits goosenecks 	<ul style="list-style-type: none"> 13/16-27 UN male aerator thread Fits lavatory spouts 	<ul style="list-style-type: none"> 15/16-27 UN male aerator thread Fits single lever line 	<ul style="list-style-type: none"> 13/16-24 UN female thread Fits other manufacturer's faucets Includes adapter and washer
Stream Regulators	<ul style="list-style-type: none"> Stream regulators: <ul style="list-style-type: none"> Full flow rate Stream regulators straighten the water flow 	<p>B-PT</p> <ul style="list-style-type: none"> Female aerator thread Plain outlet with screen and washer 	<p>B-LT</p> <ul style="list-style-type: none"> 3/8" male thread Plain outlet 	-	-	-
Aerators	<ul style="list-style-type: none"> Aerators: <ul style="list-style-type: none"> Non-splash stream 	<p>2.2 GPM (8.3 l/min)</p> <p>B-0199-01</p> <p>See Aerator Flow Tower Chart below to order aerators with flow control</p>	<p>B-0199-02</p>	<p>B-0199-03</p>	<p>B-0199-04</p>	-
- WaterSense Aerator		<p>1.5 GPM (5.7 l/min)</p> <p>B-0199-01-WS (WaterSense)</p>	<p>B-0199-02-WS (WaterSense)</p>	<p>B-0199-03-WS (WaterSense)</p>	<p>B-0199-04-WS (WaterSense)</p>	<p>B-0199-05-WS (WaterSense)</p>
- Aerator		<p>1.0 GPM (3.8 l/min)</p> <p>B-0199-01-F10</p>	<p>B-0199-02-F10</p>	-	-	-
Vandal-Resistant Aerators	<ul style="list-style-type: none"> Non-splash stream Includes key (015425-45) 	<p>2.2 GPM (8.3 l/min)</p> <p>B-0199-06</p> <p>See Aerator Flow Tower Chart below to order aerators with flow control</p>	<p>B-0199-07</p>	<p>B-0199-08</p>	<p>B-0199-09</p>	-
- WaterSense Aerator		<p>1.5 GPM (5.7 l/min)</p> <p>B-0199-06-WS (WaterSense)</p>	<p>B-0199-07-WS (WaterSense)</p>	<p>B-0199-08-WS (WaterSense)</p>	<p>B-0199-09-WS (WaterSense)</p>	<p>B-0199-10-WS (WaterSense)</p>
		<p>1.0 GPM (3.8 l/min)</p> <p>B-0199-06-F10</p>	<p>B-0199-07-F10</p>	-	-	-

Aerators with Flow Towers

- B-0199-01F-XX** Series 1
- B-0199-02F-XX** Series 2
- B-0199-03F-XX** Series 3

Vandal-Resistant Aerators with Flow Towers

- B-0199-06F-XX** Series 1
- B-0199-07F-XX** Series 2
- B-0199-08F-XX*** Series 3

* Not available with suffix -12 or -15

GPM ± 10% To order:

Select flow desired, then add suffix to model number. For ex.: B-0199-02F-15 for 1.40 GPM

Note: Painted mark on each flow control within the assembly indicates flow of unit.



Aerator Flow Tower Chart

Flow (GPM)	Suffix
0.25	F-03
0.40	F-05
0.70	F-07
0.90	F-10
1.20	F-12
1.40	F-15
2.00	F-20

Laminar Flow Outlets/Non-Aerated Spray Devices For Water Conservation Plumbing Models



Laminar Flow Outlets and Non-Aerated Spray Devices

		NEW Water-Saving Models!				
		Series 1	Series 2	Series 3	Series 4	Series 5
		<ul style="list-style-type: none"> • 55/64-27 UN female aerator threads • Fits all swing nozzles and 131X, 133X goosenecks 	<ul style="list-style-type: none"> • Includes 3/8" NPSM male thread adapter (044A) and washer (001043-45) • Fits goosenecks 	<ul style="list-style-type: none"> • 13/16-27 UN male aerator thread • Fits lavatory spouts 	<ul style="list-style-type: none"> • 15/16-27 UN male aerator thread • Fits single lever line 	<ul style="list-style-type: none"> • 13/16-24 UN female thread • Fits other manufacturer's faucets • Includes adapter and washer
		Flow Rate				
Laminar Flow Devices <ul style="list-style-type: none"> • Non-aerated stream • Screenless; for use in medical facilities to prevent airborne bacteria from entering water stream 	2.2 GPM (8.3 l/min)	B-0199-21	-	B-0199-26	B-0199-25	-
	1.5 GPM (5.7 l/min)	B-0199-29	-	-	-	-
Vandal-Resistant Laminar Flow Devices <ul style="list-style-type: none"> • Non-aerated stream • Screenless • Vandal-resistant with key shown below (015425-45) • -VR - female thread • -VRF - female thread • -VRM - male thread 	2.2 GPM (8.3 l/min)	B-0199-21-VRF	-	B-0199-28	B-0199-27	-
	1.5 GPM (5.7 l/min)	B-0199-29VR	-	-	B-0199-09-LF15	-
	1.0 GPM (3.8 l/min)	-	-	-	B-0199-08-LF10	B-0199-09-LF10
Non-Aerated Spray Devices <ul style="list-style-type: none"> • Non-aerated spray pattern • Screenless • For use in medical facilities to prevent bacteria from entering water stream 	0.35 GPM (1.3 l/min)	B-0199-01-N035	B-0199-02-N035	B-0199-03-N035	B-0199-04-N035	B-0199-05-N035
	0.5 GPM (1.9 l/min)	B-0199-01-N05	B-0199-02-N05	B-0199-03-N05	B-0199-04-N05	B-0199-05-N05
Vandal Resistant Non-Aerated Spray Devices <ul style="list-style-type: none"> • Non-aerated spray pattern • Screenless • For use in medical facilities to prevent bacteria from entering water stream • Vandal-resistant key (shown below) to attach and remove outlet (015425-45) 	0.35 GPM (1.3 l/min)	B-0199-06-N035	B-0199-07-N035	B-0199-08-N035	B-0199-09-N035	B-0199-10-N035
	0.5 GPM (1.9 l/min)	B-0199-06-N05	B-0199-07-N05	B-0199-08-N05	B-0199-09-N05	B-0199-10-N05



A series of horizontal blue lines spanning the width of the page, providing a template for handwritten notes.

E

Washdown and Clean-up Solutions



T&S
RELIABILITY BUILT IN™

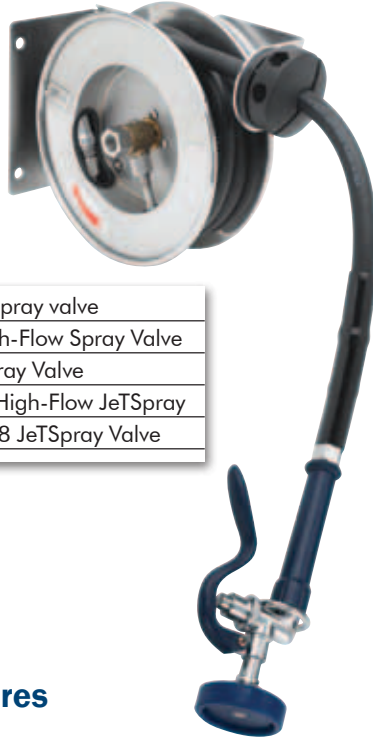




RELIABILITY BUILT IN™

T&S Introduces Our 12' Compact Open Stainless Steel Hose Reel

B-7102-01



B-7102 Hose Reel – no spray valve
B-7102-01 EB-0107 High-Flow Spray Valve
B-7102-01M B-0107 Spray Valve
B-7102-08H B-0108-H High-Flow JeTSpray
B-7102-08M with B-0108 JeTSpray Valve

The new **T&S 12' (3/8" I.D.) Hose Reel** is a compact, lightweight, professional-grade spring driven hose reel that is small enough to be used in applications where space is at a premium. Its compact size allows it to be mounted under the counter or in any other small space.

This reel is designed for equipment fabricators or anyone else seeking a compact, stainless steel, heavy-duty, professional-grade hose reel.

Fill your dipperwells, clean out dish machines or spray down combi ovens with the new T&S 12' Hose Reel, the market's first compact stainless steel reel built for heavy-duty applications. Daily work is simpler thanks to hose reels designed with the end user in mind.

See how the T&S 12' Hose Reel can help you work more efficiently and safely at www.tsbrass.com.

Dynamic Features and Benefits

Feature	Function	Benefit
Adjustable Arm	Hose reel arm is adjustable to three different positions.	Gives user greater flexibility for their particular application. Adjustability allows arm to be either in wall mount or under counter mount position.
Anti-Lockout Ratchet Design	When hose is fully extended, ratchet pawl is inbetween two sets of locking gears.	Allows hose to retract freely. Eliminates need to manually rewind the hose.
Brass Swivel on Stainless Shaft	Eliminates a condition known as "galling" where excessive friction between like metals results in localized welding with subsequent splitting of one or both of two mating parts.	Reduces risk of rusting, leaking and potentially an unusable hose reel.
Hose (12', 3/8" I.D.)	Hose has a nitrile tube and oil-resistant synthetic rubber jacket with a synthetic yarn braid for reinforcement. Rated up to 200°F and 300 psi.	Hose has better oil and grease resistant properties than PVC or EPDM rubber hose.
Impact Resistant Ratcheting Assembly	Ratchet plate is 1/4" thick stainless steel with six catch points. Ratchet pawl is made from corrosion resistant steel.	Longer service life as compared to others where the parts are made from plastic and tend to break under stress.
Mounting Base	Contains multiple holes and slots.	Makes reel easier to retrofit to existing mounting patterns. Eliminates need to drill additional holes to a specific mounting pattern.
Protected Hose Outlet	Hose outlet contains a full guide bushing that rims the opening.	Allows the hose to move freely across guide bushing instead of against metal. Hose doesn't bind in corners as it can in outlets with only four rollers, resulting in longer hose jacket life.

T&S Brass and Bronze Works, Inc.

2 Saddleback Cove • P.O. Box 1088 • Travelers Rest, SC 29690
Phone 864.834.6715 • Fax 864.834.3518

www.tsbrass.com



OPEN Stainless Steel Hose Reels

B-7102 SERIES 12' Compact Open Stainless Steel Hose Reel

Features

- Compact, lightweight, professional-grade, spring driven 3/8" x 12' hose reel
- Small enough to be used where space is a premium
- Adjustable arm for wall-mount / under counter applications
- Anti-lockout ratchet design allows hose to retract freely
- Brass swivel on stainless shaft reduces risk of rust, leaks
- Hose has a nitrile tube and oil-resistant synthetic rubber jacket, rated up to 200°F and 300 PSI
- Impact-resistant ratcheting assembly means a longer life
- Mounting base with multiple holes and slots
- Protected hose outlet allows hose to move freely along guide bushing

Compact Open Stainless Steel Hose Reel
(B-7102-01 shown)



12' Hose, 3/8" I.D.

B-7102	Hose Reel only — no spray valve
B-7102-01	EB-0107 High-Flow Blue Spray Valve
B-7102-01M	B-0107 Gray Spray Valve
B-7102-08H	B-0108-H JeTSpray High-Flow Spray Valve
B-7102-08M	B-0108 JeTSpray Valve

B-7112, B-7132 and B-7142 SERIES Open Hose Reels

Features

- Open reel with stainless steel finish
- Heavy-duty blue hose, 3/8" I.D., rated to 300 PSI
- Ratcheting system holds the length of hose until a slight tug; retracts automatically
- 3/8" NPT female inlet
- Adjustable hose bumper
- Multi-fit bracket for wall, ceiling or under counter mounting

Installation Note

If mixing valve is used, check valves should be installed to prevent crossflow of water.

15' Hose, 3/8" I.D.

B-7112-01	EB-0107 High-Flow Blue Spray Valve (shown, right)
B-7112-01M	B-0107 Spray Valve
B-7112-02	MV-2516-24 Rear Trigger Water Gun
B-7112-05	MV-2522-24 Front Trigger Water Gun
B-7112-08H	B-0108-H JeTSpray High-Flow Spray Valve
B-7112-08M	B-0108 JeTSpray Valve
B-7112-10	EB-2322 Extended Spray Wand

35' Hose, 3/8" I.D.

B-7132-01	EB-0107 High-Flow Blue Spray Valve
B-7132-01M	B-0107 Spray Valve
B-7132-02	MV-2516-24 Rear Trigger Water Gun
B-7132-05	MV-2522-24 Front Trigger Water Gun
B-7132-08H	B-0108-H JeTSpray High-Flow Spray Valve
B-7132-08M	B-0108 JeTSpray Valve
B-7132-10	EB-2322 Extended Spray Wand



Open Stainless Steel Hose Reels
(B-7112-01 shown)

Spray Outlet Options

(All models this page; see chart, p. E5)

- Spray valves with heat-resistant handles
- Heavy-duty water guns
- Extended spray wand

50' Hose, 3/8" I.D.

B-7142-01	EB-0107 High-Flow Blue Spray Valve
B-7142-01M	B-0107 Spray Valve
B-7142-02	MV-2516-24 Rear Trigger Water Gun
B-7142-05	MV-2522-24 Front Trigger Water Gun
B-7142-08H	B-0108-H JeTSpray High-Flow Spray Valve
B-7142-08M	B-0108 JeTSpray Valve
B-7142-10	EB-2322 Extended Spray Wand

See Mounting Bracket Suffix Guide page E5 to add one to your Hose Reel

ENCLOSED Stainless Steel Hose Reels

B-7122-C and B-7142-C SERIES Enclosed Hose Reels

Features

- Enclosed reel with stainless steel finish
- Heavy-duty blue hose, 3/8" I.D., rated to 300 PSI
- Ratcheting system holds the length of hose until a slight tug; retracts automatically
- 3/8" NPT female inlet
- Adjustable hose bumper
- Multi-fit bracket for wall, ceiling or under counter mounting

Installation Note

If mixing valve is used, check valves should be installed to prevent crossflow of water.



Enclosed Stainless Steel Hose Reels
(B-7122-C01 shown)

30' Hose, 3/8" I.D.

B-7122-C01	EB-0107 High-Flow Blue Spray Valve (shown, right)
B-7122-C01M	B-0107 Spray Valve
B-7122-C02	MV-2516-24 Rear Trigger Water Gun
B-7122-C05	MV-2522-24 Front Trigger Water Gun
B-7122-C08H	B-0108-H JeTSpray High-Flow Spray Valve
B-7122-C08M	B-0108 JeTSpray Valve
B-7122-C10	EB-2322 Extended Spray Wand

50' Hose, 3/8" I.D.

B-7142-C01	EB-0107 High-Flow Blue Spray Valve
B-7142-C01M	B-0107 Spray Valve
B-7142-C02	MV-2516-24 Rear Trigger Water Gun
B-7142-C05	MV-2522-24 Front Trigger Water Gun
B-7142-C08H	B-0108-H JeTSpray High-Flow Spray Valve
B-7142-C08M	B-0108 JeTSpray Valve
B-7142-C10	EB-2322 Extended Spray Wand

See **Mounting Bracket Suffix Guide** below to add one to your Hose Reel

Spray Outlet Options

Refer to the chart at right and add the appropriate Spray Valve suffix to the hose reel model.

See pages E19-20 for the full line and descriptions of T&S Hose Reel Spray Outlets.

Hose Reel Model Configurator – see page E8

Open and Enclosed Hose Reel Spray Outlet SUFFIX GUIDE

A suffix added to the Hose Reel model indicates which Spray Outlet is being ordered on either an Open or Enclosed Hose Reel:

Suffix	Spray Valve	Suffix	Spray Valve	Suffix	Spray Valve
-01	EB-0107	-04	MV-2516-44	-08M	B-0108
-C01	EB-0107	-05	MV-2522-24	-C08M	B-0108
-01M	B-0107	-C05	MV-2522-24	-10	EB-2322
-C01M	B-0107	-06	MV-2522-34	-C10	EB-2322
-02	MV-2516-24	-07	MV-2522-44	-11	MV-3516-24
-C02	MV-2516-24	-08H	B-0108-H	-C11	MV-3516-24
-03	MV-2516-34	-C08H	B-0108-H		

Hose Reel Mounting Bracket Options

Four (4) mounting brackets are available for these hose reels. Refer to the chart at right and add the appropriate Mounting Bracket suffix to the hose reel model.

See page E9 for the full line and descriptions of T&S Hose Reel Mounting Brackets.

Open and Enclosed Hose Reel Mounting Bracket SUFFIX GUIDE

A suffix added to the Hose Reel model indicates which Mounting Bracket is being ordered on either an Open or Enclosed Hose Reel:

Suffix	Part Number	Description
-PPB	G016652-45	Epoxy Coated Steel Pivot Bracket
-PSB	G016636-45	Epoxy Coated Steel Swing Bracket (3/8"x 15', 30', 35' hoses)
-PSB	G016637-45	Epoxy Coated Steel Swing Bracket (3/8"x 50'; all 1/2" hoses)
-SSB	G016737-45	Stainless Steel Swing Bracket (All 1/4", 3/8", 1/2" hoses)
-STB	G018477-45	Stainless Steel Table Leg Swing Bracket (3/8", 1/2" hoses)

OPEN Painted Steel Hose Reels

B-7212, B-7232, B-7233, B-7242, B-7243 and B-7245 SERIES Open Hose Reels

Features

- Open reel with painted steel finish
- Heavy-duty blue hose, 3/8" and 1/2" I.D., rated to 300 PSI
- Ratcheting system holds the length of hose until a slight tug; retracts automatically
- 3/8" NPT female inlet
- Adjustable hose bumper
- Multi-fit bracket for wall, ceiling or under counter mounting

Installation Note

If mixing valve is used, check valves should be installed to prevent crossflow of water.



**Open Painted Steel
Hose Reels**
(B-7212-01 shown)

15' Hose, 3/8" I.D.

B-7212-01	EB-0107 High-Flow Blue Spray Valve (shown, right)
B-7212-01M	B-0107 Spray Valve
B-7212-02	MV-2516-24 Rear Trigger Water Gun
B-7212-05	MV-2522-24 Front Trigger Water Gun
B-7212-08H	B-0108-H JeTSpray High-Flow Spray Valve
B-7212-08M	B-0108 JeTSpray Valve
B-7212-10	EB-2322 Extended Spray Wand
B-7212-11	MV-3516-24 Aluminum Rear Trigger Water Gun

35' Hose, 3/8" I.D.

B-7232-01	EB-0107 High-Flow Blue Spray Valve
B-7232-01M	B-0107 Spray Valve (1.42 gpm)
B-7232-02	MV-2516-24 Rear Trigger Water Gun
B-7232-05	MV-2522-24 Front Trigger Water Gun
B-7232-08H	B-0108-H JeTSpray High-Flow Spray Valve
B-7232-08M	B-0108 JeTSpray Valve
B-7232-10	EB-2322 Extended Spray Wand
B-7232-11	MV-3516-24 Aluminum Rear Trigger Water Gun

35' Hose, 1/2" I.D.

B-7233-02	MV-2516-24 Rear Trigger Water Gun
B-7233-05	MV-2522-24 Front Trigger Water Gun
B-7233-08H	B-0108-H JeTSpray High-Flow Spray Valve

50' Hose, 3/8" I.D.

B-7242-01	EB-0107 High-Flow Blue Spray Valve
B-7242-01M	B-0107 Spray Valve
B-7242-02	MV-2516-24 Rear Trigger Water Gun
B-7242-05	MV-2522-24 Front Trigger Water Gun
B-7242-08H	B-0108-H JeTSpray High-Flow Spray Valve
B-7242-10	EB-2322 Extended Spray Wand

50' Hose, 1/2" I.D.

B-7243-02	MV-2516-24 Rear Trigger Water Gun
B-7243-05	MV-2522-24 Front Trigger Water Gun
B-7243-08H	B-0108-H JeTSpray High-Flow Spray Valve

See Mounting Bracket Suffix Guide page E7 to add one to your Hose Reel

B-7245-03 and B-7245-06 Heavy-Duty Hose Reels

Features

- Open reel with epoxy coated steel finish
- 50' (15.2 m) industrial grade white hose, 3/4" I.D.
- Ratcheting system holds the length of hose until a slight tug; retracts automatically
- 3/4" NPT male and female inlet
- 1/2" NPT male swivel on outlet of hose; 3/4" male NPT inlet

Note: A mounting bracket cannot be specified with this this hose reel

B-7245-NH 3/4" hose reel with 3/4" coupling – NO hose



**Heavy-Duty
Hose Reels**
(B-7245-06 shown)

50' Hose, 3/4" I.D.

B-7245-03	MV-2516-34 7/16" Rear Trigger Water Gun
B-7245-04	MV-2516-44 9/16" Rear Trigger Water Gun
B-7245-06	MV-2522-34 7/16" Front Trigger Water Gun
B-7245-07	MV-2516-44 9/16" Front Trigger Water Gun

ENCLOSED Painted Steel Hose Reels

B-7222 and B-7242 SERIES Enclosed Hose Reels

Features

- Enclosed reel with painted steel finish
- Heavy-duty blue hose, 3/8" I.D., rated to 300 PSI
- Ratcheting system holds the length of hose until a slight tug; retracts automatically
- 3/8" NPT female inlet
- Adjustable hose bumper
- Multi-fit bracket for wall, ceiling or under counter mounting

Installation Note

If mixing valve is used, check valves should be installed to prevent crossflow of water.



Enclosed Painted Steel Hose Reels (B-7222-C01 shown)

30' Hose, 3/8" I.D.

B-7222-C01	EB-0107 Blue Spray Valve (shown, above)
B-7222-C01M	B-0107 Spray Valve
B-7222-C02	MV-2516-24 Rear Trigger Water Gun
B-7222-C05	MV-2522-24 Front Trigger Water Gun
B-7222-C08H	B-0108-H JeTSpray Hi-Flow Spray Valve
B-7222-C08M	B-0108 JeTSpray Valve
B-7222-C10	EB-2322 Extended Spray Wand
B-7222-C11	MV-3516-24 Aluminum Rear Trigger Water Gun

50' Hose, 3/8" I.D.

B-7242-C01	EB-0107 Blue Spray Valve
B-7242-C01M	B-0107 Spray Valve
B-7242-C02	MV-2516-24 Rear Trigger Water Gun
B-7242-C05	MV-2522-24 Front Trigger Water Gun
B-7242-C08H	B-0108-H JeTSpray Hi-Flow Spray Valve

See **Mounting Bracket Suffix Guide** below to add one to your Hose Reel

Spray Outlet Options

Refer to the chart at right and add the appropriate Spray Valve suffix to the hose reel model.

See pages E19-20 for the full line and descriptions of T&S Hose Reel Spray Outlets.

Hose Reel Model Configurator – see page E8

Open and Enclosed Hose Reel Spray Outlet SUFFIX GUIDE

A suffix added to the Hose Reel model indicates which Spray Outlet is being ordered on either an Open or Enclosed Hose Reel:

Suffix	Spray Valve	Suffix	Spray Valve	Suffix	Spray Valve
-01	EB-0107	-04	MV-2516-44	-08M	B-0108
-C01	EB-0107	-05	MV-2522-24	-C08M	B-0108
-01M	B-0107	-C05	MV-2522-24	-10	EB-2322
-C01M	B-0107	-06	MV-2522-34	-C10	EB-2322
-02	MV-2516-24	-07	MV-2522-44	-11	MV-3516-24
-C02	MV-2516-24	-08H	B-0108-H	-C11	MV-3516-24
-03	MV-2516-34	-C08H	B-0108-H		

Hose Reel Mounting Bracket Options

Four (4) mounting brackets are available for these hose reels. Refer to the chart at right and add the appropriate Mounting Bracket suffix to the hose reel model.

See page E9 for the full line and descriptions of T&S Hose Reel Mounting Brackets.

Open and Enclosed Hose Reel Mounting Bracket SUFFIX GUIDE

A suffix added to the Hose Reel model indicates which Mounting Bracket is being ordered on either an Open or Enclosed Hose Reel:

Suffix	Part Number	Description
-PPB	G016652-45	Epoxy Coated Steel Pivot Bracket
-PSB	G016636-45	Epoxy Coated Steel Swing Bracket (3/8"x 15', 30', 35' hoses)
-PSB	G016637-45	Epoxy Coated Steel Swing Bracket (3/8"x 50'; all 1/2" hoses)
-SSB	G016737-45	Stainless Steel Swing Bracket (All 1/4", 3/8", 1/2" hoses)
-STB	G018477-45	Stainless Steel Table Leg Swing Bracket (3/8", 1/2" hoses)

Open and Enclosed Hose Reels – Specifications



These configurators and charts show you how to custom order a hose reel according to its application.

Note: Not all combinations are available. Check with T&S Customer Service for more information.



Model B-7000 Series OPEN Hose Reels

B - 7 _____ - _____ - _____ - _____ - _____

Reel Material
1 = Stainless Steel
2 = Painted Steel

Hose Length
0 = 12'
1 = 15'
3 = 35'
4 = 50'

Diameter
2 = 3/8"
3 = 1/2"
5 = 3/4"

(See Spray Valves and Water Guns chart, right)

(See Mounting Brackets chart, below)

Note: Same for EB-models

For example: B-7145-03-SSB = Stainless steel open hose reel, 50' hose with 3/4" diameter, MV-2516-34 Rear Trigger Water Gun (7/16") and Stainless Steel Swing Bracket



Model B-7000-C Series ENCLOSED Hose Reels

B - 7 _____ - _____ - **C** _____ - _____ - _____

Reel Material
1 = Stainless Steel
2 = Painted Steel

Hose Length
2 = 30'
4 = 50'

Diameter
2 = 3/8"
3 = 1/2"

(See Spray Valves and Water Guns chart, above)

(See Mounting Brackets chart, right)

Note: Same for EB-models

For example: B-7222-C06-PSB = Painted Steel enclosed hose reel, 30' hose with 3/8" diameter, MV-2522-34 Front Trigger Water Gun (7/16") and Epoxy Coated Steel Swing Bracket

Spray Valves and Water Guns

Suffix

	EB-0107 High-Flow Spray Valve	-01
	B-0107 Spray Valve	-01M
	MV-2516-24 5/16" dia. flow Rear Trigger Water Gun	-02
	MV-2516-34 7/16" dia. flow Rear Trigger Water Gun	-03
	MV-2516-44 9/16" dia. flow Rear Trigger Water Gun	-04
	MV-2522-24 5/16" dia. flow Front Trigger Water Gun	-05
	MV-2522-34 7/16" dia. flow Front Trigger Water Gun	-06
	MV-2522-44 9/16" dia. flow Front Trigger Water Gun	-07
	B-0108-H High-Flow Jet Spray Valve	-08H
	B-0108 Jet Spray Valve	-08M
	EB-2322 Extended Spray Wand	-10
	MV-3516-24 5/16" dia. flow Aluminum Rear Trigger Water Gun	-11

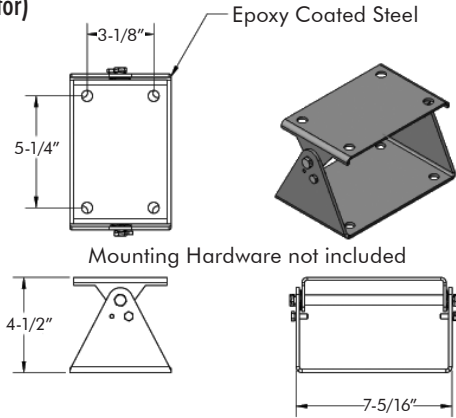
Mounting Brackets (see p. E9)

G016636-45	3/8" x 15'/30'/35'	-PSB
G016637-45	3/8" x 50'; all 1/2"	-PSB
Epoxy Coated Steel Swing Bracket		
G016652-45		-PPB
Epoxy Coated Steel Pivot Bracket		
G016737-45		-SSB
Stainless Steel Swing Bracket		
G018477-45		-STB
Stainless Steel Table Leg Swing Bracket		

Mounting Brackets

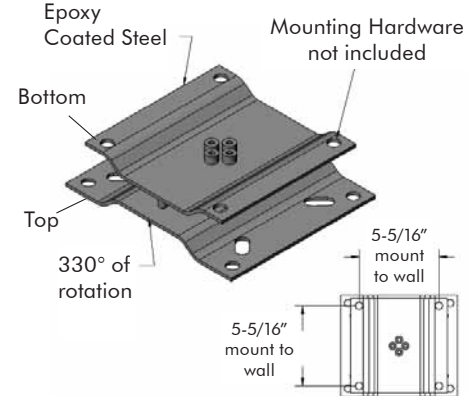
G016636-45 Swing Bracket (-PSB)

- Epoxy coated black steel
- Fits all T&S 3/8" x 15', 30' and 35' hose reels
- Add "-PSB" suffix to model number to specify this bracket (see page E8 for configurator)



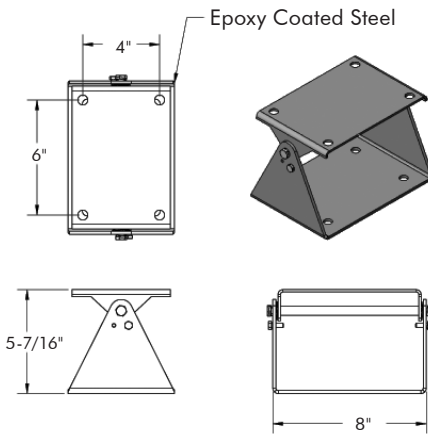
G016652-45 Pivot Bracket (-PPB)

- Epoxy coated black steel
- Fits all T&S 1/4", 3/8" and 1/2" hose reels
- Add "-PPB" suffix to model number to specify this bracket (see page E8 for configurator)



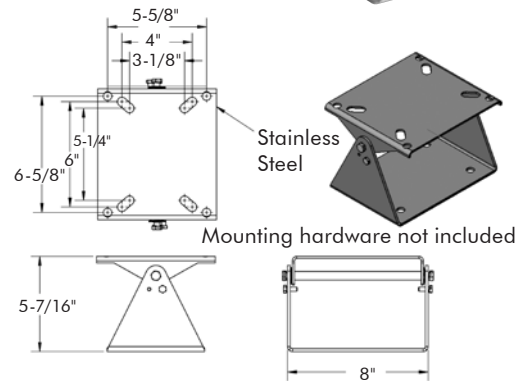
G016637-45 Swing Bracket (-PSB)

- Epoxy coated black steel
- Fits all T&S 3/8" x 50' and all 1/2" hose reels
- Add "-PSB" suffix to model number to specify this bracket (see page E8 for configurator)



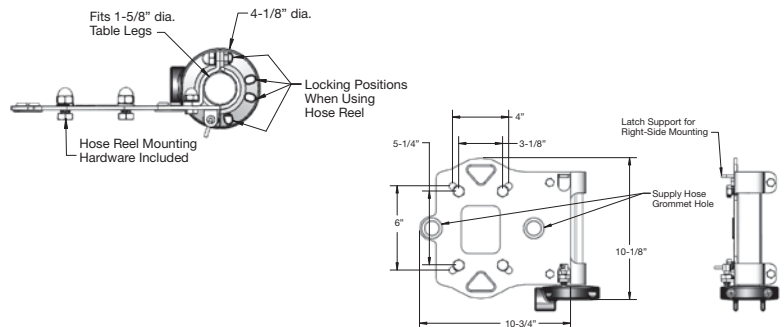
G016737-45 Stainless Steel Bracket (-SSB)

- Stainless steel swing bracket
- Fits all T&S 1/4", 3/8" and 1/2" hose reels
- Add "-SSB" suffix to model number to specify this bracket (see page E8 for configurator)



G018477-45 Table Leg Swing Bracket (-STB)

- Stainless steel hose reel swing bracket
- Fits all T&S 3/8" and 1/2" hose reels
- Spring loaded latch
- Add "-STB" suffix to model number to specify this bracket (see page E8 for configurator)





Hose Reels with Spray Valve and Water Gun Options

The options shown here represent the entire T&S hose reel line, but please note that not all combinations are available. This chart outlines the combinations we currently offer.

- Flow rates at 60 PSI
- This Washdown section of the G-11 has additional information about all our hose reel models and spray valves and water guns

Spray Valve / Water Gun Options

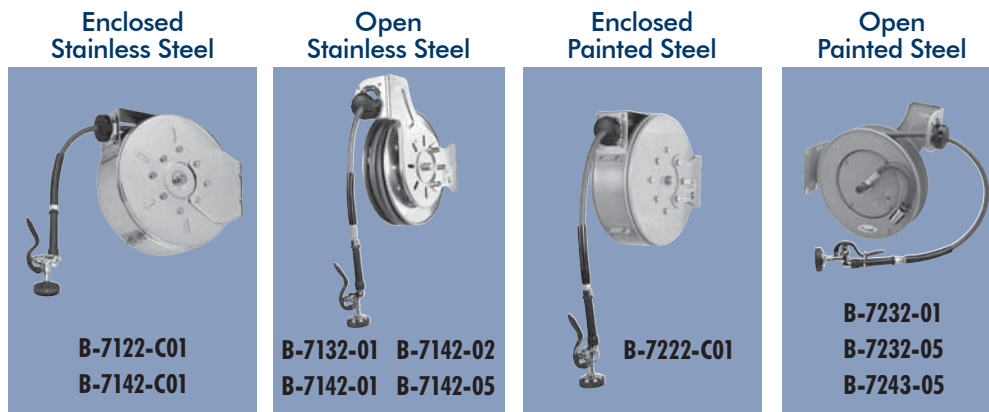
	EB-0107 -01 suffix	B-0107 -01M suffix	MV-2516-24 -02 suffix	MV-2516-34 -03 suffix	MV-2516-44 -04 suffix	MV-2522-24 -05 suffix	MV-2522-34 -06 suffix	MV-2522-44 -07 suffix	B-0108-H -08H suffix	B-0108 -08M suffix	EB-2322 -10 suffix	MV-3516-24 -11 suffix
STAINLESS STEEL												
B-7102 Open 3/8" x 12'	B-7102-01 3.5 GPM 13.25 LPM	B-7102-01M 1.42 GPM 5.38 LPM							B-7102-08H 3.3 GPM 12.49 LPM	B-7102-08M 1.48 GPM 5.6 LPM		
B-7112 Open 3/8" x 15'	B-7112-01 3.7 GPM 14 LPM	B-7112-01M 1.42 GPM 5.38 LPM	B-7112-02 4.8 GPM 18.17 LPM			B-7112-05 4.8 GPM 18.17 LPM			B-7112-08H 3.6 GPM 13.63 LPM	B-7112-08M 1.48 GPM 5.6 LPM	B-7112-10 4.2 GPM 15.9 LPM	
B-7122-C Enclosed 3/8" x 30'	B-7122-C01 3.5 GPM 13.5 LPM	B-7122-C01M 1.42 GPM 5.38 LPM	B-7122-C02 4.3 GPM 16.28 LPM			B-7122-C05 4.3 GPM 16.28 LPM			B-7122-C08H 3.3 GPM 12.49 LPM	B-7122-C08M 1.48 GPM 5.6 LPM	B-7122-C10 3.9 GPM 14.76 LPM	
B-7132 Open 3/8" x 35'	B-7132-01 3.4 GPM 12.87 LPM	B-7132-01M 1.42 GPM 5.38 LPM	B-7132-02 4.1 GPM 15.52 LPM			B-7132-05 4.1 GPM 15.52 LPM			B-7132-08H 3.2 GPM 12.11 LPM	B-7132-08M 1.48 GPM 5.6 LPM	B-7132-10 3.6 GPM 13.63 LPM	
B-7142 Open 3/8" x 50'	B-7142-01 3.2 GPM 12.11 LPM	B-7142-01M 1.42 GPM 5.38 LPM	B-7142-02 3.7 GPM 14 LPM			B-7142-05 3.7 GPM 14 LPM			B-7142-08H 3.0 GPM 11.36 LPM	B-7142-08M 1.48 GPM 5.6 LPM	B-7142-10 3.4 GPM 12.87 LPM	
B-7142-C Enclosed 3/8" x 50'	B-7142-C01 3.2 GPM 12.11 LPM	B-7142-C01M 1.42 GPM 5.38 LPM	B-7142-C02 3.7 GPM 14 LPM			B-7142-C05 3.7 GPM 14 LPM			B-7142-C08H 3.0 GPM 11.36 LPM	B-7142-C08M 1.48 GPM 5.6 LPM	B-7142-C10 3.4 GPM 12.87 LPM	
PAINTED STEEL												
B-7212 Open 3/8" x 15'	B-7212-01 3.7 GPM 14 LPM	B-7212-01M 1.42 GPM 5.38 LPM	B-7212-02 4.8 GPM 18.17 LPM			B-7212-05 4.8 GPM 18.17 LPM			B-7212-08H 3.0 GPM 11.36 LPM	B-7212-08M 1.48 GPM 5.6 LPM	B-7212-10 4.2 GPM 15.9 LPM	B-7212-11 4.7 GPM 17.79 LPM
B-7222-C Enclosed 3/8" x 30'	B-7222-C01 3.5 GPM 13.5 LPM	B-7222-C01M 1.42 GPM 5.38 LPM	B-7222-C02 4.3 GPM 16.28 LPM			B-7222-C05 4.3 GPM 16.28 LPM			B-7222-C08H 3.3 GPM 12.49 LPM	B-7222-C08M 1.48 GPM 5.6 LPM	B-7222-C10 3.9 GPM 14.76 LPM	B-7222-C11 4.2 GPM 15.9 LPM
B-7232 Open 3/8" x 35'	B-7232-01 3.4 GPM 12.87 LPM	B-7232-01M 1.42 GPM 5.38 LPM	B-7232-02 4.1 GPM 15.52 LPM			B-7232-05 4.1 GPM 15.52 LPM			B-7232-08H 3.2 GPM 12.11 LPM	B-7232-08M 1.48 GPM 5.6 LPM	B-7232-10 3.6 GPM 13.63 LPM	B-7232-11 4.2 GPM 15.9 LPM
B-7242 Open 3/8" x 50'	B-7242-01 3.2 GPM 12.11 LPM	B-7242-01M 1.42 GPM 5.38 LPM	B-7242-02 3.7 GPM 14 LPM			B-7242-05 3.7 GPM 14 LPM			B-7242-08H 3.0 GPM 11.36 LPM		B-7242-10 3.4 GPM 12.87 LPM	
B-7242-C Enclosed 3/8" x 50'	B-7242-C01 3.2 GPM 12.11 LPM	B-7242-C01M 1.42 GPM 5.38 LPM	B-7242-C02 3.7 GPM 14 LPM			B-7242-C05 3.7 GPM 14 LPM			B-7242-C08H 3.0 GPM 11.36 LPM			
B-7245 Open 3/8" x 50'				B-7245-03 11.0 GPM 41.64 LPM	B-7245-04 11.0 GPM 41.64 LPM		B-7245-06 10.9 GPM 41.26 LPM	B-7245-07 10.9 GPM 41.26 LPM				

Our T&S pre-configured hose reel systems are designed for ease of specification and installation. They include all the components, piping and accessories needed to install a complete hose reel system in your facility.

	B-1430	B-1431	B-1432
Hose Reel Model/Type	B-7222-C01 Painted Steel/Enclosed/30'	B-7232-01 Painted Steel/Open/35'	B-7222-C01 Painted Steel/Enclosed/30'
Spray Valve Model	EB-0107 High-Flow	EB-0107 High-Flow	EB-0107 High-Flow
Water Gun Model	N/A	N/A	N/A
Connector Hose	HW-4B-36	HW-4B-36	HW-4B-36
Vacuum Breaker Model	B-0963	B-0963	B-0963
Upper Riser	3/8" NPT x 40"	3/8" NPT x 40"	(2) 3/8" NPT x 22"
Control Valve	ORK3 and B-0462 3/8" Angle Flange	ORK3 and B-0462 3/8" Angle Flange	ORK2
Lower Riser	3/8" NPT x 26"	3/8" NPT x 26"	3/8" NPT x 12"
Wall Bracket(s)	B-0109-07	B-0109-07	B-0109-07
Mixing Valve	B-0513 3" Concealed w/Lever Handles	B-0513 3" Concealed w/Lever Handles	B-0513 3" Concealed w/Lever Handles
Check Valves	(2) B-CVH1-2	(2) B-CVH1-2	(2) B-CVH1-2
Special Configurations	Partially concealed installation	Partially concealed installation	Concealed installation

	B-1432-01	B-1432-7122-C01	B-1433
Hose Reel Model/Type	B-7232-01 Painted Steel/Open/35'	B-7122-C01 Stainless Steel/Enclosed/30'	B-7222-C01 Painted Steel/Enclosed/30'
Spray Valve Model	EB-0107 High-Flow	EB-0107 High-Flow	EB-0107 High-Flow
Water Gun Model	N/A	N/A	N/A
Connector Hose	HW-4B-36	HW-4B-36	HW-4B-36
Vacuum Breaker Model	B-0963	B-0963	B-0963
Upper Riser	(2) 3/8" NPT x 22"	(2) 3/8" NPT x 22"	3/8" NPT x 40"
Control Valve	ORK2	ORK2	ORK3
Lower Riser	3/8" NPT x 12"	3/8" NPT x 12"	3/8" NPT x 16"
Wall Bracket(s)	B-0109-07	B-0109-07	(2) B-0109-07
Mixing Valve	B-0513 3" Concealed w/Lever Handles	B-0513 3" Concealed w/Lever Handles	002832-40 8" Wall Mount
Check Valves	(2) B-CVH1-2	(2) B-CVH1-2	Eternas with Spring Checks
Special Configurations	Concealed installation	Concealed installation	N/A

Complete Hose Reel Systems Comparison Chart, cont. on p. E12





**E
12**

	B-1433-01	B-1433-02	B-1433-04
Hose Reel Model/Type	B-7232-01 Painted Steel/Open/35'	B-7222-C01 Painted Steel/Enclosed/30'	B-7222-C05 Painted Steel/Enclosed/30'
Spray Valve Model	EB-0107 High-Flow	EB-0107 High-Flow	N/A
Water Gun Model	N/A	N/A	MV-2522-24
Connector Hose	HW-4B-36	B-0020-H2A S.S. Flex. Water Connector	HW-4B-36
Vacuum Breaker Model	B-0963	B-0963	B-0963
Upper Riser	3/8" NPT x 40"	3/8" NPT x 40"	3/8" NPT x 40"
Control Valve	ORK3	ORK3	ORK3
Lower Riser	3/8" NPT x 16"	3/8" NPT x 16"	3/8" NPT x 16"
Wall Bracket(s)	(2) B-0109-07	(2) B-0109-07	(2) B-0109-07
Mixing Valve	002832-40 8" Wall Mount	002832-40 8" Wall Mount	002832-40 8" Wall Mount
Check Valves	Eternas with Spring Checks	Eternas with Spring Checks	Eternas with Spring Checks
Special Configurations	N/A	N/A	N/A

	B-1433-7132-01M	B-1433-7212-01	
Hose Reel Model/Type	B-7132-01M Stainless/Open/35'	B-7212-01/Painted Steel/Enclosed/15'	
Spray Valve Model	B-0107	EB-0107 High-Flow	
Water Gun Model	N/A	N/A	
Connector Hose	HW-4B-36	HW-2B-36	
Vacuum Breaker Model	B-0963	B-0963	
Upper Riser	3/8" NPT x 40"	3/8" NPT x 40"	
Control Valve	ORK3	ORK3	
Lower Riser	3/8" NPT x 16"	3/8" NPT x 16"	
Wall Bracket(s)	(2) B-0109-07	(2) B-0109-07	
Mixing Valve	002832-40 8" Wall Mount	002832-40 8" Wall Mount	
Check Valves	Eternas with Spring Checks	Eternas with Spring Checks	
Special Configurations	N/A	N/A	

	B-1433-CR-SC	B-1433-SC01	B-1434-RG
Hose Reel Model/Type	B-7142-02 Stainless/Open/50'	B-7122-C01 Stainless/Enclosed/30'	B-7142-01 Stainless/Open/50'
Spray Valve Model	N/A	EB-0107 High-Flow	EB-0107 High-Flow
Water Gun Model	MV-2516-24	N/A	N/A
Connector Hose	HW-4B-36	Hard Pipe Supply Included	HW-4B-36
Vacuum Breaker Model	B-0963	B-0975	B-0963
Upper Riser	3/8" NPT x 40"	3/8" NPT x 20"	3/8" NPT x 32"
Control Valve	ORK3	ORK3	ORK3
Lower Riser	3/8" NPT x 16"	3/8" NPT x 20"	3/8" NPT x 16"
Wall Bracket(s)	(2) B-0109-07	B-0109-07	(2) B-0109-07
Mixing Valve	B-0131-LN-CR-SC 8" Wall Mount	002832-40 8" Wall Mount	002832-40 8" Wall Mount
Check Valves	Ceramas with Check Valves	Eternas with Spring Checks	Eternas with Spring Checks
Special Configurations	N/A	N/A	N/A

	B-1436	B-1437	B-1439
Hose Reel Model/Type	B-7132-01 Stainless/Open/35'	B-7232-05 Painted Steel/Open/30'	B-7142-05 Stainless/Open/50'
Spray Valve Model	EB-0107 High-Flow	N/A	N/A
Water Gun Model	N/A	MV-2522-24 Front Trigger	MV-2522-24 Front Trigger
Connector Hose	HW-4B-24	HW-4B-36	HW-4B-36
Vacuum Breaker Model	B-0963	B-0963	B-0963
Upper Riser	3/8" NPT x 2" with 3/8" NPT Union	3/8" NPT x 40"	3/8" NPT x 40"
Control Valve	ORK3	ORK3	ORK3
Lower Riser	(2) 3/8" NPT x 12"	3/8" NPT x 16"	3/8" NPT x 16"
Wall Bracket(s)	Included	(2) B-0109-07	(2) B-0109-07
Mixing Valve	002829-40 8" Deck Mount	002832-40 8" Wall Mount	002832-40 8" Wall Mount
Check Valves	Eternas with Spring Checks	Eternas with Spring Checks	Eternas with Spring Checks
Special Configurations	Stainless steel backplate	N/A	N/A

	B-1444	B-1444-CV	B-1453
Hose Reel Model/Type	B-7142-C01 Stainless/Enclosed/50'	B-7142-C01 Stainless/Enclosed/50'	B-7232-05 Painted Steel/Open/35'
Spray Valve Model	EB-0107 High-Flow	EB-0107 High-Flow	N/A
Water Gun Model	N/A	N/A	MV-2522-24 Front Trigger
Connector Hose	HW-4B-36	HW-4B-36	HW-4B-36
Vacuum Breaker Model	B-0963	B-0963	B-0963
Upper Riser	3/8" NPT x 40"	3/8" NPT x 40"	3/8" NPT x 40"
Control Valve	ORK3	ORK3	ORK3
Lower Riser	3/8" NPT x 16"	3/8" NPT x 16"	3/8" NPT x 16"
Wall Bracket(s)	(2) B-0109-07	(2) B-0109-07	(2) B-0109-07
Mixing Valve	002832-40 8" Wall Mount	002832-40 8" Wall Mount	B-1035 Concealed Bypass Mixing Valve
Check Valves	Eternas with Spring Checks	(2) B-CVH1-2	(2) B-CVH1-2
Special Configurations	N/A	N/A	N/A

	B-1454	B-1458	B-1459
Hose Reel Model/Type	B-7232-05 Painted Steel/Open/35'	B-7122-C01M Stainless/Enclosed/30'	B-7122-C01 Stainless/Closed/30'
Spray Valve Model	N/A	B-0107	EB-0107 High-Flow
Water Gun Model	MV-2522-24 Front Trigger	N/A	N/A
Connector Hose	HW-4B-36	HW-4B-36	HW-4B-36
Vacuum Breaker Model	B-0963	B-0963	B-0963
Upper Riser	3/8" NPT x 40"	3/8" NPT x 40"	3/8" NPT x 18" EasyInstall with Elbow Flange
Control Valve	ORK3	ORK3	N/A
Lower Riser	3/8" NPT x 16"	3/8" NPT x 16"	N/A
Wall Bracket(s)	(2) B-0109-07	(2) B-0109-07	B-0109-01
Mixing Valve	B-1035 Concealed Bypass Mixing Valve	002832-40 8" Wall Mount	B-0512 3" Concealed with 4-Arm Handles
Check Valves	(2) B-CVH1-2	(2) B-CVH1-2	(2) B-CVH1-2
Special Configurations	B-0674-BSTP Service sink faucet included	N/A	For concealed or remote applications

	B-2339	B-2339-02
Hose Reel Model/Type	B-7222-C01 Painted Steel/Closed/3/8" x 30'	B-7222-C05 Painted Steel/Enclosed/3/8" x 30'
Spray Valve Model	EB-0107 High-Flow	N/A
Water Gun Model	N/A	MV-2522-24 Front Trigger
Connector Hose	Supplied by others	HW-4B-24
Vacuum Breaker Model	007842-45	B-0963
Upper Riser	N/A	N/A
Control Valve	011927-25*	011927-25*
Lower Riser	N/A	N/A
Wall Bracket(s)	N/A	B-0109-06
Mixing Valve	ORK1*	ORK1*
Check Valves	(2) B-CVH1-2*	(2) B-CVH1-2*
Special Configurations	* Rinse control cabinet includes Control Valve, Dual Check Valves, Thermometer and Water Hammer Arrestor	* Rinse control cabinet includes Control Valve, Dual Check Valves, Thermometer and Water Hammer Arrestor

T&S Hose Reel Spray Outlet SUFFIX GUIDE

Suffix	Spray Valve	Suffix	Spray Valve	Suffix	Spray Valve	Suffix	Spray Valve	Suffix	Spray Valve
-01	EB-0107	-02	MV-2516-24	-05	MV-2522-24	-08H	B-0108-H	-10	EB-2322
-C01	EB-0107	-C02	MV-2516-24	-C05	MV-2522-24	-C08H	B-0108-H	-C10	EB-2322
-01M	B-0107	-03	MV-2516-34	-06	MV-2522-34	-08M	B-0108	-11	MV-3516-24
-C01M	B-0107	-04	MV-2516-44	-07	MV-2522-44	-C08M	B-0108	-C11	MV-3516-24

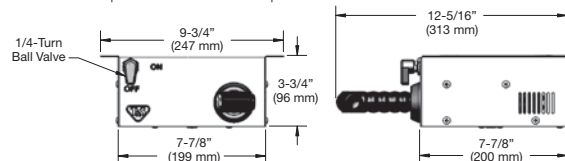
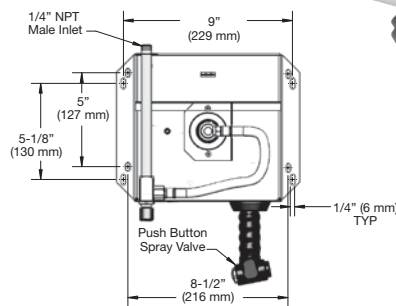
Compact Hose Reel

B-7161-C 6 Ft. Compact Hose Reel



- 6 ft. compact hose reel with stainless steel enclosed housing
- Designed for light-duty cleaning
- Reinforced 1/4" x 6 ft. black hose secured around an enclosed metal reel
- Anti-lockout feature ensures full retraction of hose even when fully extended
- All brass main swivel
- Push-button single stream spray valve
- 1/4" NPT supply nipple; 1/4-turn easy access shut-off valve on front panel
- 1/4" NPT brass inlet pipe and stainless steel braided flexible line
- Includes ratchet and hose guide repair kits

Note: A mounting bracket cannot be specified with this this hose reel



Complete Hose Reel Assemblies

B-1430 Enclosed 30' Hose Reel Assembly

- All-in-one system with exposed piping and accessories
- Enclosed hose reel (B-7222-C01) with EB-0107 blue high-flow spray valve
- Continuous pressure vacuum breaker (B-0963)
- Shut-off control valve (ORK3)
- Angled slip flange
- 3" C/C concealed mixing faucet (B-0513)
- 36" (922 mm) flexible connecting hose with quick-disconnect
- Shipped with all components needed for installation
- Wall bracket (B-0109-07)

B-1432 Enclosed 30' Hose Reel Assembly

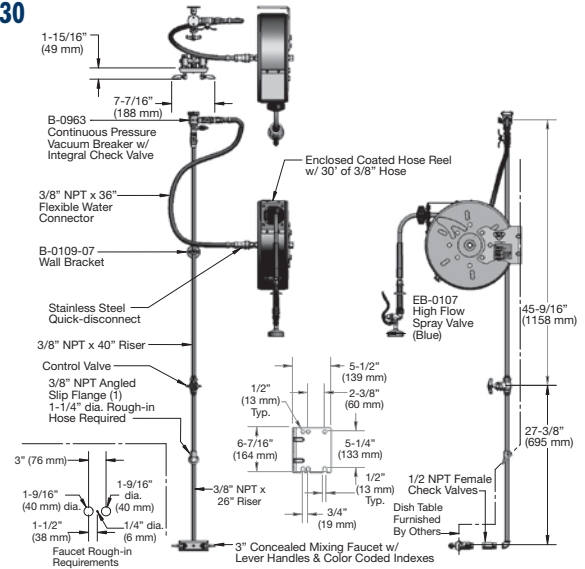
- All-in-one system with exposed piping and accessories
- Enclosed hose reel (B-7222-C01) with EB-0107 blue high-flow spray valve
- Continuous pressure vacuum breaker (B-0963)
- Shut-off control valve (ORK2)
- 2-3/8" (60 mm) dia. wall flange
- 3" C/C concealed mixing faucet (B-0513)
- Wall bracket (B-0109-07)
- 36" (922 mm) flexible connecting hose with quick-disconnect
- Shipped with all components needed for installation

B-1433 Enclosed 30' Hose Reel Assembly

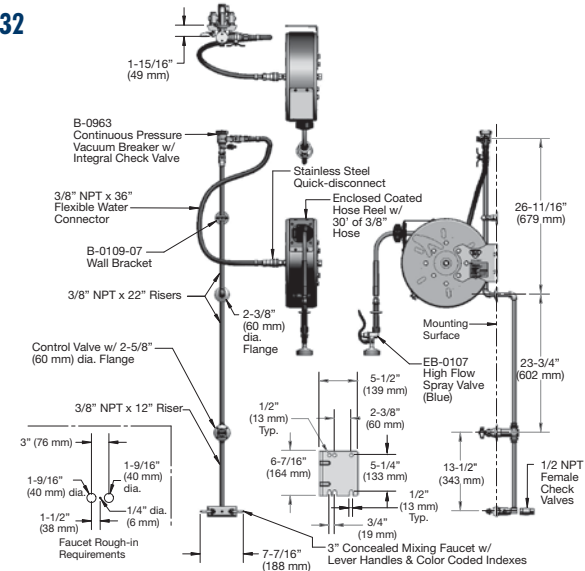
- All-in-one system with exposed piping and accessories
- Enclosed hose reel (B-7222-C01) with EB-0107 blue high-flow spray valve
- Continuous pressure vacuum breaker (B-0963)
- Shut-off control valve (ORK3)
- 8" wall-mount mixing faucet (002832-40) with Eterna cartridges with spring checks
- Two (2) wall brackets (B-0109-07)
- 36" (922 mm) flexible connecting hose with quick-disconnects
- Shipped with all components needed for installation

- **B-1433-01** Same as B-1433 except with B-7232-01 open hose reel
- **B-1433-02** Same as B-1433 except with 20" flexible stainless steel hose supply and quick-disconnect
- **B-1433-04** Same as B-1433 except with front trigger water gun
- **B-1433-7132-01M** Same as B-1433 except with open stainless steel hose reel with 35' hose (B-7132-01M) and B-0107 spray valve
- **B-1433-01M-QDS** Same as B-1433 except with 35' open painted steel hose reel (B-7232); includes two (2) quick-disconnect spray valves (B-0107-QD and EB-2322-QD)
- **B-1433-CR** Same as B-1433 except with Cerama cartridges with check valves
- **B-1433-CR-QDS** Same as B-1433-01M-QDS except with Cerama cartridges with check valves
- **B-1434-RG** All-in-one system with exposed piping and accessories; includes B-7142-01 hose reel, 8" wall-mount mixing faucet, shut-off valve (ORK3), vacuum breaker (B-0963), flexible connecting hose and EB-0107 high-flow spray valve

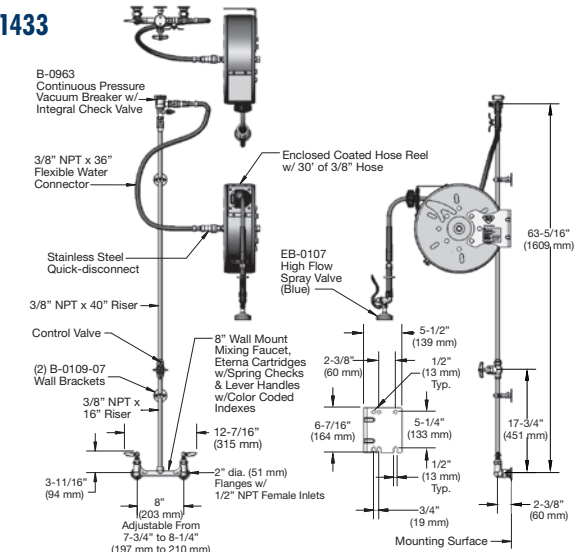
B-1430



B-1432



B-1433

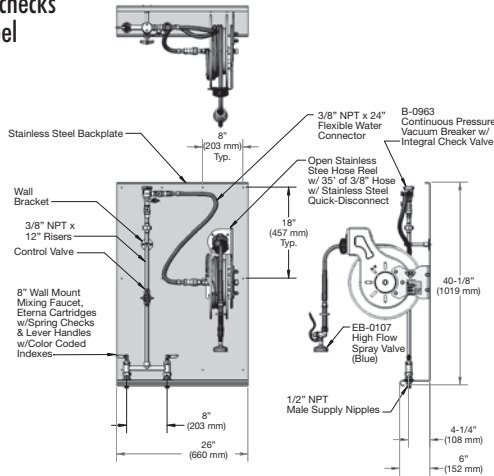


Complete Hose Reel Assemblies

B-1436

Open 35' Stainless Steel Hose Reel Assembly with Backplate

- All-in-one, convenient-to-install complete hose reel assembly
- Open hose reel (B-7132-01) with blue high-flow spray valve (EB-0107)
- Continuous pressure vacuum breaker (B-0963)
- Shut-off control valve (ORK3)
- 8" deck-mount mixing faucet (002829-40) with Eterna cartridges with spring checks
- Stainless steel backplate
- Arrives completely assembled for easy installation

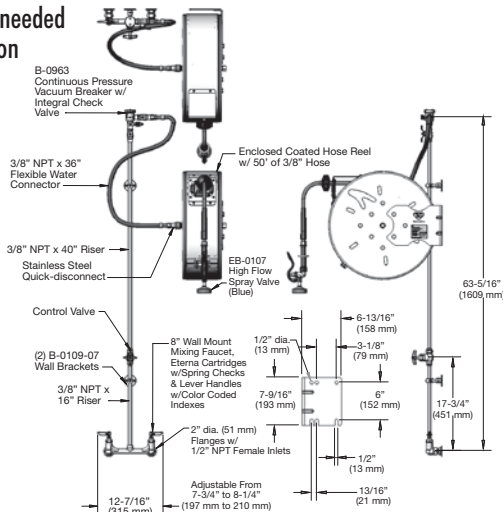


B-1444

Enclosed Stainless Steel Hose Reel Assembly with 50' Hose

- All-in-one system with exposed piping and accessories
- Enclosed stainless steel hose reel (B-7142-C01) with EB-0107 blue high-flow spray valve
- Continuous pressure vacuum breaker (B-0963)
- Two (2) wall brackets (B-0109-07)
- Shut-off control valve (ORK3)
- 8" wall-mount mixing faucet (002832-40) with Eterna cartridges with spring checks
- Includes 36" (922 mm) flexible connecting hose assembly
- Shipped with all components needed for installation

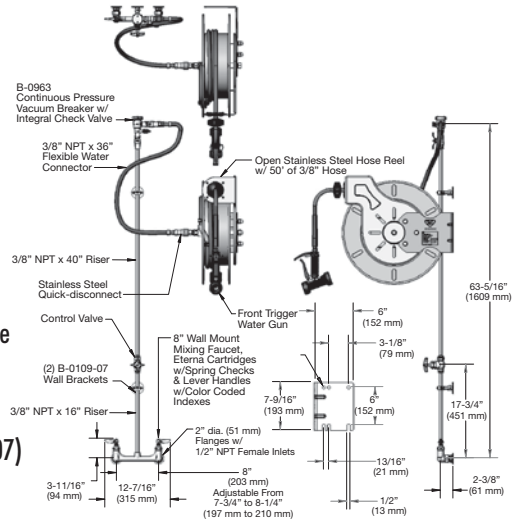
B-1444-CV Same as B-1444 except with two B-CVH1-2 check valves



B-1439

Open Stainless Steel Hose Reel Assembly with 50' Hose

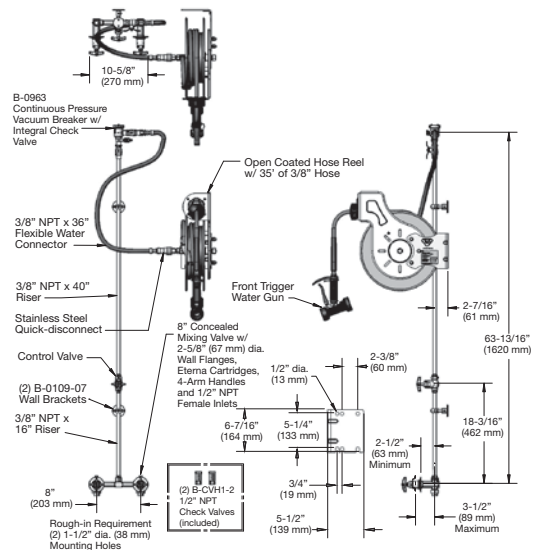
- All-in-one system with exposed piping and accessories
- Open stainless steel hose reel (B-7142-05) with MV-2522-24 blue water gun
- Continuous pressure vacuum breaker (B-0963)
- Two (2) wall brackets (B-0109-07)
- Shut-off control valve (ORK3)
- 8" wall-mount mixing faucet (002832-40) with Eterna cartridges with spring checks
- Includes 36" (922 mm) flexible connecting hose assembly
- Shipped with all components needed for installation



B-1453

Open Painted Steel Hose Reel Assembly with 35' Hose

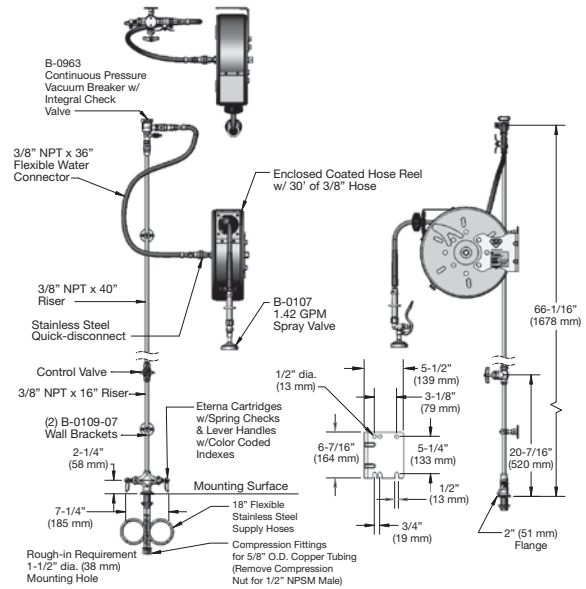
- All-in-one system with exposed piping and accessories
- Open hose reel (B-7232-05) with 35' hose and MV-2522-24 blue front trigger water gun
- Shut-off control valve (ORK3)
- B-1035 concealed mixing valve with 1/2" NPT female inlets
- 3/8" NPT x 40" riser
- B-0963 continuous pressure vacuum breaker with integral check valve (B-CVH1-2)
- Two (2) wall brackets (B-0109-07)
- Shipped with all components needed for installation



Complete Hose Reel Assemblies

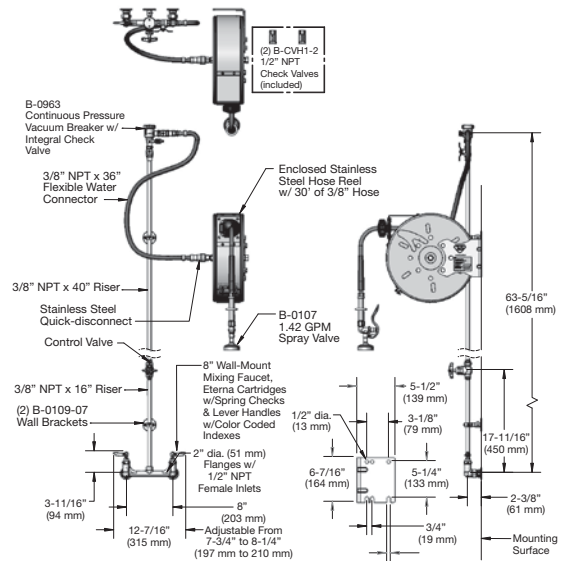
B-1457 Enclosed Painted Steel Hose Reel Assembly with 30' Hose

- All-in-one system with exposed piping and accessories
- Enclosed hose reel with 30' hose (B-7222-C01)
- 1.42 GPM spray valve (B-0107)
- Continuous pressure vacuum breaker (B-0963)
- Single hole deck-mount faucet with spring checks and lever handles with color coded indexes (002824-40)
- 18" flexible stainless steel supply hoses
- Shut-off control valve (ORK3)
- Two (2) wall brackets (B-0109-07)
- 3/8" NPT x 36" flexible water connector to hose reel (HW-4B-36)
- Shipped with all components needed for installation



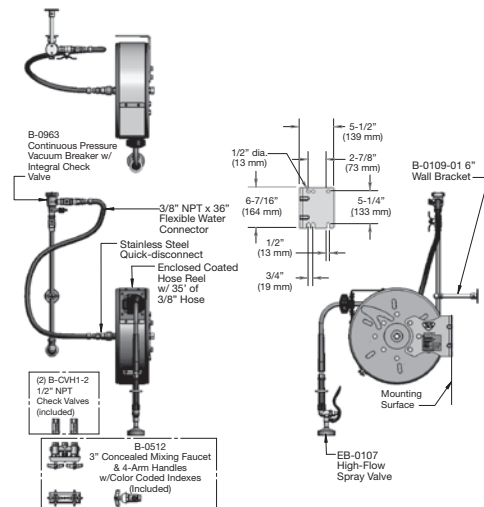
B-1458 Enclosed Stainless Steel Hose Reel Assembly with 30' Hose

- All-in-one system with exposed piping and accessories
- Enclosed stainless steel hose reel with 30' hose (B-7122-C01)
- Blue high-flow spray valve (EB-0107)
- Continuous pressure vacuum breaker (B-0963)
- 8" wall-mount faucet with spring checks (002832-40)
- Shut-off control valve in riser (ORK3)
- Two (2) wall brackets (B-0109-07)
- Flexible water connector to hose reel (HW-4B-36)
- Two (2) check valves (B-CVH1-2)
- Shipped with all components needed for installation



B-1459 Enclosed Stainless Steel Hose Reel Assembly with 30' Hose

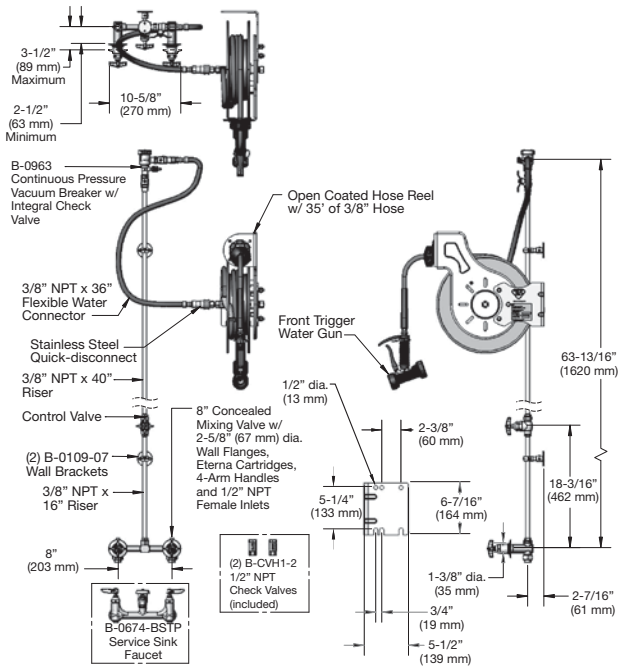
- All-in-one system with exposed piping and accessories
- Enclosed stainless steel hose reel with 30' hose (B-7122-C01)
- Blue high-flow spray valve (EB-0107)
- Continuous pressure vacuum breaker (B-0963)
- 3" concealed mixing faucet (B-0512)
- 6" wall bracket (B-0109-01)
- Flexible water connector to hose reel (HW-4B-36)
- Two (2) check valves (B-CVH1-2)
- Shipped with all components needed for installation



Complete Hose Reel Assemblies

B-1454 Open Painted Steel Hose Reel Assembly with 35' Hose

- All-in-one system with exposed piping and accessories
- Open hose reel (B-7232-05) with 35' hose and MV-2522 blue front trigger water gun
- Shut-off control valve (ORK3)
- 8" wall-mount service sink faucet (B-0674-BSTP)
- 8" concealed mixing valve with 1/2" NPT female inlets (B-1035)
- 3/8" NPT x 40" riser
- B-0963 continuous pressure type vacuum breaker with (2) inline check valves included (B-CVH1-2)
- Two (2) B-0109-07 wall brackets
- Shipped with all components needed for installation



All-In-One Hose Reel Assemblies

B-2339 Control Unit and Hose Reel Assembly with 30' Hose

- Enclosed hose reel with 30' hose and EB-0107 high flow spray valve (B-7222-C01)
- Stainless steel control cabinet which includes all components – gauges, vacuum breaker and check valves
- Hose reel can be mounted on ceiling, wall or under the counter
- Allows total tamper-resistant control, convenient and compact
- 1/2" NPT female inlets to control cabinet



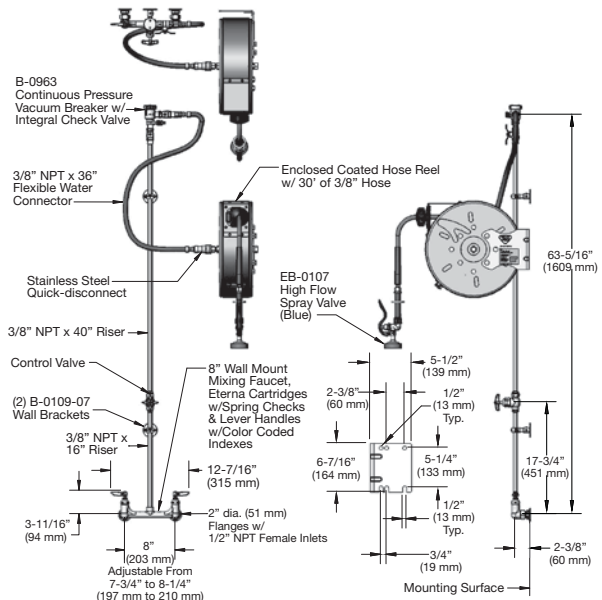
B-2339-02 Same as B-2339 except with MV-2522-24 water gun with riser, B0963 vacuum breaker and 24" flexible water connector (HW-4B-24)
B-2339-LR Same as B-2339 except with only control unit, without B-7222-C01. Can be used with any T&S hose reel

Suggested Configuration for T&S Hose Reels and Accessories

This illustration is a suggested hose reel configuration using T&S Hose Reel Accessories shown on pages E8 and E19-E22. These accessories allow you to design a hose reel assembly to meet any of your requirements.

All T&S accessories are made to our high-quality standards for ease of installation, minimum maintenance and long life. Order each part separately by the part number shown.

Note: The B-1433 is used here as an example; other models will vary slightly in their specifications.



Heavy-Duty Water Guns

T&S heavy-duty water guns are designed for washdown stations and general sanitizing operations in a broad variety of commercial and institutional applications.

MV-2516 Series Rear Trigger Water Guns

- Heavy-duty stainless steel construction, designed for long life
- Adjustable stream from solid to soft spray
- Excellent for cleaning jobs
- Controls water supply easily and efficiently
- 1/2" NPT female inlet
- Automatic shut-off conserves water
- Rated up to 200 psi
- Blue rubber cover



MV-2522 Series Front Trigger Water Guns

- Heavy-duty stainless steel construction, designed for long life
- Adjustable stream from solid to soft spray
- Excellent for cleaning jobs
- Controls water supply easily and efficiently
- 1/2" NPT female inlet
- Automatic shut-off conserves water
- Rated up to 200 psi
- Blue rubber cover



T&S Water Gun Replacement Parts:

- 014087-45 5/16" and 7/16" Orifice, Rear Trigger Cartridge Assembly
- 014132-45 9/16" Orifice, Rear Trigger Cartridge Assembly
- 014086-45 5/16" and 7/16" Orifice, Front Trigger Cartridge Assembly
- 014131-45 9/16" Orifice, Front Trigger Cartridge Assembly
- 014187-45 Blue Rubber Cover (used on both style guns)

MV-3516-25 Aluminum Rear Trigger Water Gun

- Lightweight aluminum water gun with 5/16" flow orifice
- Blue rubber cover
- Includes 1/2" NPT male x 3/8" NPT female adapter (not shown)
- 1/2" NPT female inlet
- Variable spray patterns
- Drip-free automatic shut-off



MV-3516 Models and Kit:

- MV-3516-21 1/2 NPT x 1/2" hose barb
- MV-3516-22 1/2 NPT x 3/4" hose barb
- MV-3516-23 1/2 NPT x 1" hose barb
- MV-3516-24 1/2 NPT female inlet
- MV-3516-24-RK MV-3516-24 repair kit

EB-2322 Spray Valve, Extension Unit

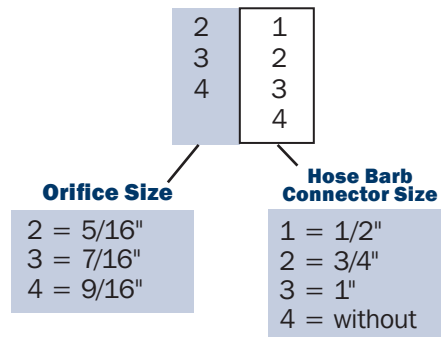
- Spray valve (EB-0107) with self-closing squeeze valve and extension for 21-3/4" (552 mm) total length
- 3/8" NPT female inlet
- Blue grip handle with hold-down ring
- Removable spray head



Caution: these Water Guns are not designed for use on steam lines

B-2516 Series Rear Trigger Water Guns

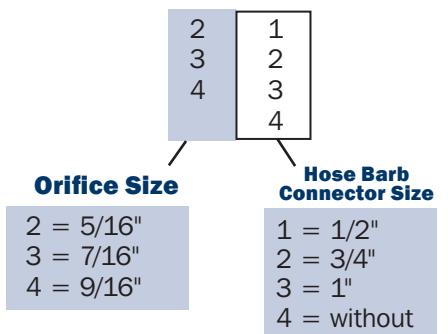
Model: MV-2516-



Model	Orifice Size	Hose Barb Connector Size
MV-2516-		
-21	5/16"	1/2"
-22	5/16"	3/4"
-23	5/16"	1"
-24	5/16"	without
-31	7/16"	1/2"
-32	7/16"	3/4"
-33	7/16"	1"
-34	7/16"	without
-41	9/16"	1/2"
-42	9/16"	3/4"
-43	9/16"	1"
-44	9/16"	without

B-2522 Series Front Trigger Water Guns

Model: MV-2522-



Model	Orifice Size	Hose Barb Connector Size
MV-2522-		
-21	5/16"	1/2"
-22	5/16"	3/4"
-23	5/16"	1"
-24	5/16"	without
-31	7/16"	1/2"
-32	7/16"	3/4"
-33	7/16"	1"
-34	7/16"	without
-41	9/16"	1/2"
-42	9/16"	3/4"
-43	9/16"	1"
-44	9/16"	without

Hose Reel Kits / Replacement Parts

Swivel Kits

Part Number	Hose I.D.	Hose Length
014946-45	3/8"	ALL except 12' (B-7102)
017355-45	3/8"	12' (B-7102)

Spring Assemblies

Part Number	Hose I.D.	Hose Length
014932-45	3/8" and 1/2"	15' /30' /35'
014934-45	3/8" and 1/2"	50'

Stainless Reels

014933-45	3/8" and 1/2"	15' /30' /35'
014935-45	3/8" and 1/2"	50'
017362-45	3/8"	12' (B-7102)

Hose Stop Kits

Part Number	Hose I.D.	Hose Length
014949-45	3/8"	ALL except 12' (B-7102)
016590-45	3/8"	12'
014950-45	1/2"	ALL

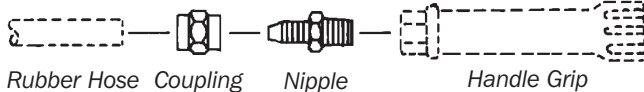
Ratchet Kit

Part Number	Hose I.D.	Hose Length
014940-45	3/8" and 1/2"	ALL except 12' (B-7102)
017359-45	3/8"	12'

Other Parts and Kits

045A Reel Hose Repair Kit

- Field repair kit for 3/8" hose and fitting
- Includes coupling and nipple insert



B-CVV1-2 Check Valve

- 1/2" vertical check valve
- Rough brass finish
- 1/2" NPT female inlet and outlet
- Designed for water use only



Check Valves

B-CVH1-2 for horizontal or vertical use, 1/2" NPT female
 B-CVH3-4 for horizontal or vertical use, 3/4" NPT female
 Furnished in rough brass

Roller Kits

Part Number	Hose I.D.	Hose Length
014938-45	3/8" and 1/2"	15'/35'/50'

Enclosed Small

014936-45	3/8"	30'
-----------	------	-----

Enclosed Large

014937-45	3/8" and 1/2"	50'
017352-45	3/8"	12'

Hose Kits

Part Number	Hose I.D.	Hose Length	PSI
014944-45	3/8"	15'	300
014943-45	3/8"	30'	300
014941-45	3/8"	35'	300
014942-45	3/8"	50'	300
014945-45*	1/2"	50'	300
017938-45	3/8"	12'	300

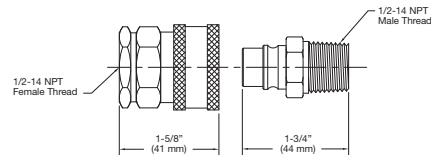
* Availability is limited on 1/2" specific parts

Swivel 'O'-Ring Kit

Part Number	Hose I.D.	Hose Length
014948-45	ALL	ALL

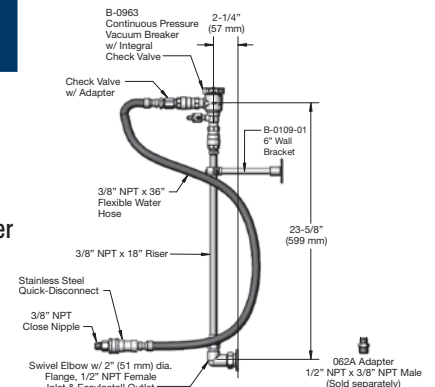
B-0273-QD Washdown Quick-Disconnect

- Washdown quick-disconnect assembly
- Chrome plated
- Not rated for potable/drinking water



ORK-SK Hose Reel Connector Kit

- Kit includes (1) each:
- 1/2" NPT inlet elbow
 - 3/8" NPT x 18" riser
 - B-0963 continuous pressure vacuum breaker
 - 3/8" NPT x 36" flexible water connector
 - Quick-disconnect



Shut-Off Valves and Mixing/Control Valves

B-0512 Shut Off Control Valve

- Wall mounted
- 3/8" NPT inlets and outlet
- 3" C/C
- Eterna cartridges with color coded indexes
- 4-arm handles



B-0513 same as B-0512 except with lever handles

B-1025-ST Concealed Straight Valve



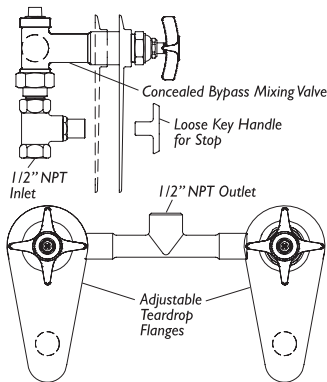
- 1/2" NPT female outlet
- Straight loose key stop with 1/2" NPT female inlet
- Adjustable tear drop escutcheon
- Four-arm handle with blue index
- Eterna cartridge
- Includes T-handle and screw



B-1035-ST Concealed Bypass Mixing Valve



- 8" (203 mm) centers
- Loose key straight stops
- 1/2" NPT female union inlets
- 1/2" NPT female outlet
- Four arm handles
- Adjustable wall flanges
- Eterna cartridges



ORK1 Mixing Valve

- Mixing valve with removable seats
- Removable loose key T-handles
- 1/2" NPT female inlets
- 4" (102 mm) centers
- Rough chrome finish
- 3/8" NPT female outlet between valves at opposite side of inlets
- Versatile design for use with vertical pipes (wall) or horizontal piping (ceiling or under sink)



Note: T&S check valves should be installed in lines leading to ORK1 mixing valve

ORK2 Shut Off Control Valve

- Concealed body type
- 3/8" NPT inlet and outlet
- Rough brass body
- Polished chrome plated handle and 2-3/4" dia. adjustable wall flange
- Designed for installation in line between mixing valve and hose reel
- Eterna cartridge
- 4-arm handle with blue index



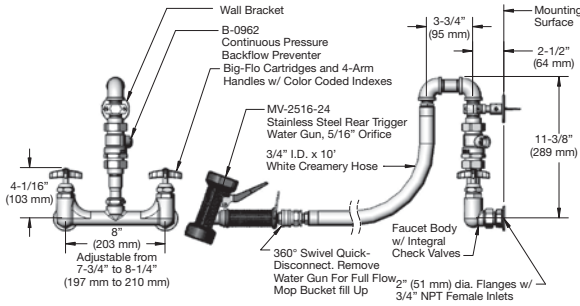
ORK3 Shut Off Control Valve

- Exposed body type
- 1/2" NPT female inlet and outlet
- Polished chrome plated finish
- Designed for installation on exposed piping between mixing valve and hose reel
- 3/8" NPT female bushings (included)
- Big-Flo spindle assembly
- Removable seat
- 4-arm handle with blue index



Single Temperature Valves and Washdown Stations

B-0273 Washdown Station



- Big-Flo base faucet
- Furnished with check valves
- 3/4" NPT female eccentric flanged inlets
- Continuous back flow pressure preventer (B-0962)
- 10' creamery hose with quick-disconnect
- Rear trigger water gun (MV-2516-24)
- 4-arm handles with color coded indexes

MV-0771-12C Mixing Valve

- Chrome plated
- 3/4" check valves
- 3/4" unions
- 3/4" globe valves with color coded handles



MV-0771-12R Water Mixing Station

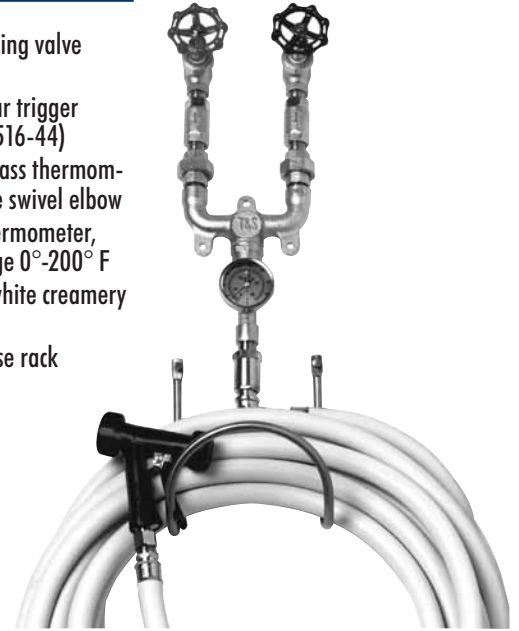
- Hot and cold mixing valve enclosed in galvanized steel recessed cabinet with tamper-resistant screws (bit included) and stainless steel covers
- Inline check valves (B-CV3-4)
- Mixing valve with 3/4" NPT male inlets
- Hose swivel elbow
- 50 ft. white creamery hose
- Stainless steel rear trigger water gun (MV-2516-44), 9/16" orifice
- Stainless steel hose rack (002970-45)



MV-0771-12R-VB Same as MV-0771-12R except with backflow preventers (B-0962)

MV-0771-12CW Mixing Valve

- MV-0771-12C mixing valve (3/4")
- Stainless steel rear trigger water gun (MV-2516-44)
- Chrome plated brass thermometer tee with hose swivel elbow
- Stainless steel thermometer, temperature range 0°-200° F
- 50 ft. (15.25 m) white creamery hose
- Stainless steel hose rack (002970-45)



Model No.	Size Valve (inches)	Finish
MV-0771-11CW	1/2"	Chrome Plated
MV-0771-11NW	1/2"	Brass
MV-0771-12CW	3/4"	Chrome Plated
MV-0771-12NW	3/4"	Brass

MV-1907-12C Chrome Plated Valve

- 3/4" chrome plated globe valve
- 3/4" NPT x 2-1/2" nipple
- Two B-0109-01 wall brackets, adjustable from 2" to 6" from wall
- Supply piping furnished by others



Model No.	Size Valve (inches)
MV-1907-11	1/2"
MV-1907-12	3/4"

Note: furnished in chrome (add suffix "C") or natural finish (no suffix)

Single Temperature Valves and Washdown Stations

E
24

MV-1907-12CW Single Temperature Valve

- MV-1907 valve
- Water gun
- 50 ft. (15.2 m) 3/4" white creamery hose
- Brass swivel connector for water gun
- Brass thermometer tee
- Stainless steel thermometer, temperature range 0°-200° F
- Stainless steel hose rack
- Chrome finish

Model No.	Size Valve (inches)
MV-1907-11CW	1/2"
MV-1907-12CW	3/4"

MV-1907-11CW-ER Same as MV-1907-11CW except with 10' hose and water gun



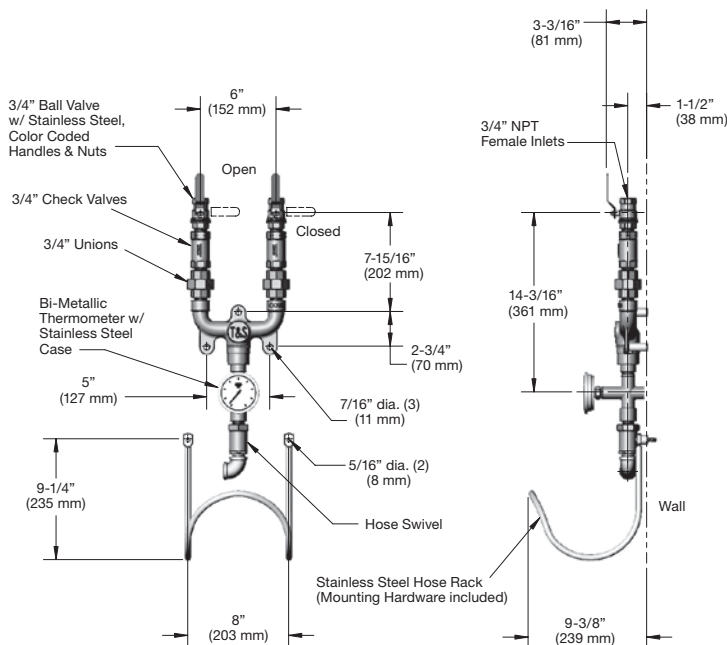
MV-1907-04C Accessory Kit

Washdown station accessory kit includes:

- (2) Anchor shields
- (2) Hose rack spacers
- (2) Hex cap screws
- (1) Thermometer
- (1) Stainless steel hose rack
- (1) 3/4" swivel assembly
- (1) 50 ft. creamery hose assembly (004980-40)

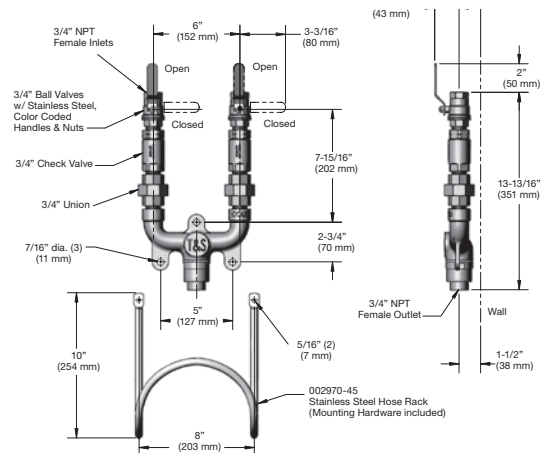
MV-0771-12N-BVT Washdown Station

- 3/4" NPT natural finish washdown station
- (2) 3/4" ball valves (hot and cold) with stainless steel, color coded handles and nuts
- (2) 3/4" check valves
- Thermometer tee with 3/4" hose swivel elbow
- Stainless steel hose rack with mounting hardware



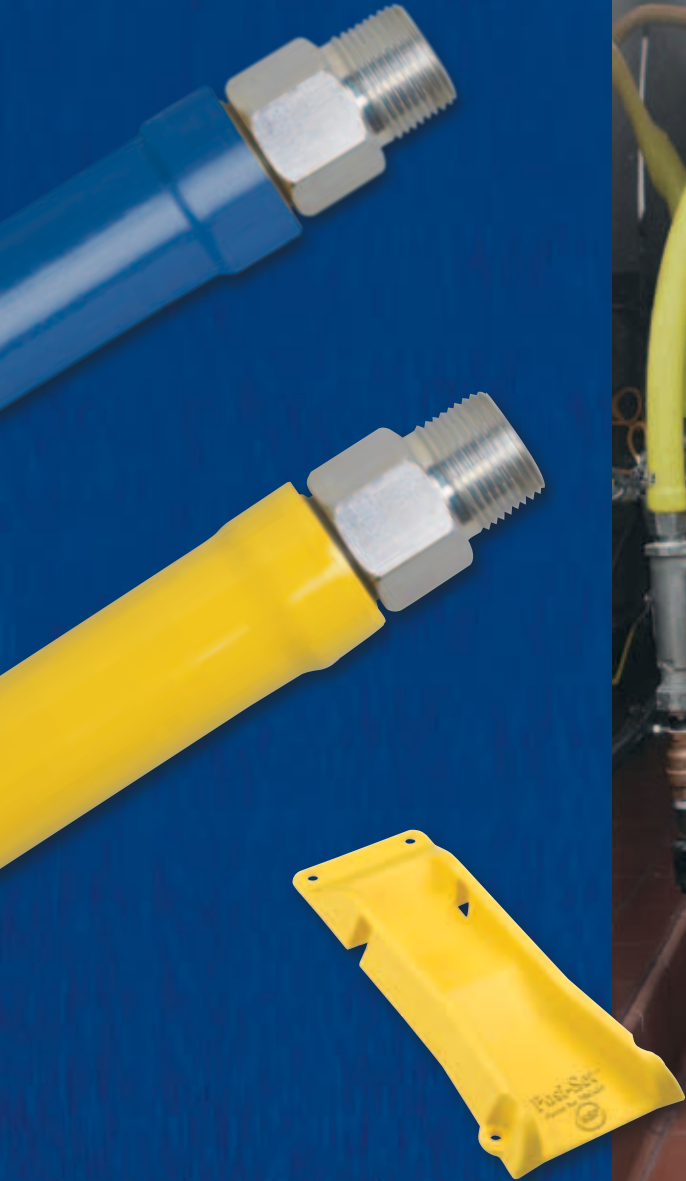
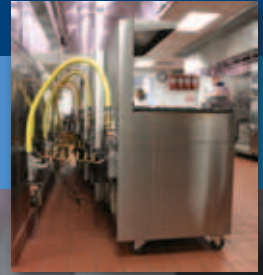
MV-0771-12N-BV Washdown Station

- 3/4" NPT mixing valve
- (2) 3/4" ball valves (hot and cold) with stainless steel, color coded handles and nuts
- (2) 3/4" check valves
- Stainless steel hose rack with mounting hardware
- 3/4" NPT outlet



F

Safe-T-Link Appliance Connectors



T&S
RELIABILITY BUILT IN™





Safe-T-Link Appliance Connectors – F

INTRODUCTORY PAGES NEW FEATURED T&S PRODUCTS

- SwiveLink, FreeSpin and POSI-SET Wheel Placement System **Page F3**

Gas Appliance Connectors and Accessories **F3-9**

- HG-2 Series (with FreeSpin fittings) F4-5
- HG-2S Series (with SwiveLink fittings) F4-5
- HG-4 Series (with one quick-disconnect fitting) F4-5
- HG-4S Series (with quick-disconnect and SwiveLink fittings) F4-5
- HG-6 Series (with reversed quick-disconnect fittings) F4-5
- HG-S Series (stationary appliance gas connectors) F5
- Safe-T-Link Gas Hose fittings F4-5
- How to Specify a Gas Appliance Connector F6
- Gas Hose Installation Kit F7
- Gas Appliance Connector Parts and Components F7
- POSI-SET™ Wheel Placement System for Gas Appliances/Models F7-8
- Gas Hose and Stationary Gas Hose Appliance Connector Capacities F8
- SwiveLink Installation Instructions F9

Water Appliance Connectors and Accessories **F10-11**

- HW-2 Series (hose only) F10
- HW-4 Series (with quick-disconnect fittings) F10
- HW-6 Series (with reversed quick-disconnect fittings) F10
- Water Appliance Connector Parts and Components F10
- How to Specify a Water Appliance Connector F11

Index By Model Number and Description **F12**

NOTE:

A comprehensive *Index By Model or Part Number and Page* can be found in the **G-11 General Product Catalog Master Index** section (IN).



? Can't find the T&S product you're looking for?
Please visit www.tsbrass.com for a complete product listing.



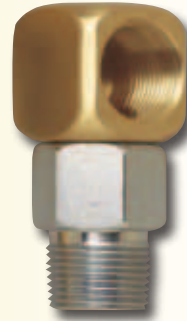
RELIABILITY BUILT IN™

www.tsbrass.com

SAFE-T-LINK More Reasons Than Ever To Connect With T&S

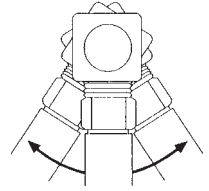
SwiveLink Performance Advantages

- Provides a consistent, stress-free torque-free swivel motion
- Eliminates kinking, allowing entire connector length to be used
- Optimal wall clearance. Castered appliances come out further to facilitate clean up, installation and maintenance, and may be pushed closer to the wall without connector interference
- Allows restraining devices to be set to engage just before the connector is fully extended
- Minimum folded length
- No lock-up during use
- Allows for full gas flow
- Double sealed, and machined from steel and brass for strength
- Available factory-attached on Safe-T-Link gas connector hoses, or as separate accessories for appliance and/or gas line attachment
- In popular sizes: 1/2" to 1 1/4"

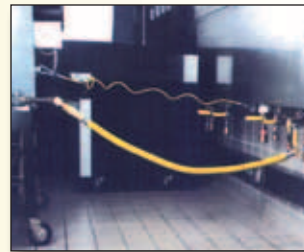


A True Gas Connector Swivel

Our patented SwiveLink can't lock up and meets ANSI Z21.69 for B.T.U. capacity, where gasoline swivels are limiting



Usable length of hose with SwiveLink



Usable length of hose WITHOUT SwiveLink



FreeSpin Performance Advantages

- 360° rotatable hex nut rotates completely and freely, even when tight. No more twisted hoses!
- Optimum torsional relief improves safety, increases connector life
- No more struggling with multiple fitting pieces and extra threads
- No more turning hoses to tighten fittings
- Provides efficient, full gas flow in every size
- Tapered fittings provide a tighter fit than traditional flared fittings
- Simple, easy to install
- Standard on both ends of every Safe-T-Link gas connector hose
- Available in sizes 1/2" through 1 1/4"

LIMITED
5
YEAR
WARRANTY



Attention: California Residents California's Proposition 65 requires that California consumers receive warnings about any products which contain chemicals known to the State of California to cause cancer or birth defects or other reproductive harm. The State of California requires the following notice: **WARNING:** This product contains chemicals known to the State of California to cause cancer, and birth defects or other reproductive harm.

POSI-SET™ Wheel Placement System

- Wheel placement system for moveable cooking equipment
- Designed for the positive placement of moveable gas equipment
- Ensures proper relocation of equipment after moving, cleaning or repairs
- Made of flame retardant thermoplastic resin
- Virtually indestructible
- Includes mounting hardware for proper installation
- Designed to meet the requirements of NFPA 17A 5.6.4 2009 Edition
- Patent No. US 7,581,623



See page F7 - F8 for more POSI-SET™ information

Safe-T-Link SwiveLink

(optional, gas only)

Specify the new **SwiveLink** swivel, the ultimate connector accessory, and you gain increased mobility and critical space savings over fixed-end products. For the first time, let SwiveLink connect you to the ultimate convenience of utilizing 100% of the connector's overall length.



Safe-T-Link FreeSpin

(standard, gas only)

With the new **FreeSpin** feature, you hook up with the most technically advanced end fitting available in the industry. These "live" ends – standard on both ends of the T&S Safe-T-Link gas connectors – provide a constant 360° rotation for reducing stress while extending connector life. Plus, the entire fitting design helps increase operational safety.



Quick-Disconnect Advantages

- For use when you need a Quick-disconnect located at the **back of the appliance**
- Quick-disconnect socket acts as shut-off valve when the plug and socket are disconnected
- "Fusible link" quick-disconnect gas hoses automatically shut off gas supply to the appliance when temperatures exceed 350°F (177°C)
- High quality construction
- CSA approval
- Easy operation



Reversed Quick-Disconnect Advantages

- For use when you need a Quick-disconnect located at the **wall**
- Quick-disconnect socket acts as shut-off valve when the plug and socket are disconnected
- "Fusible link" quick-disconnect gas hoses automatically shut off gas supply to the appliance when temperatures exceed 350°F (177°C)
- High quality construction
- CSA approval
- Easy operation



Welded Fittings

A gas connector is only as good as its weakest link. Trust our welded fittings to remain gas-tight long after a competitor's crimped assembly begins to loosen.

Extruded Coating

Strong does not have to mean less flexible. Our extruded coating stays out of the braid and keeps a constant wall thickness, providing strength and flexibility. Dipped coatings invade the stainless steel braid and stress the wires while reducing flexibility.

Safest Stainless Braid

Stainless braids protect the thin inner hose from pressure and stress. Trust our tight braid pattern to prevent punctures or dents more than a gapped braid.



SAFE·T·LINK



Hot and cold water appliance connectors are also available; see pages F10-11

Attention: California Residents

California's Proposition 65 requires that California consumers receive warnings about any products which contain chemicals known to the State of California to cause cancer or birth defects or other reproductive harm. The State of California requires the following notice: **WARNING:** This product contains chemicals known to the State of California to cause cancer, and birth defects or other reproductive harm.

Gas Appliance Connectors

- Welded fittings
- Extruded coating
- Stainless braid
- Available in sizes from 1/2" to 1 1/4" NPT
- See p. F6 for available configurations

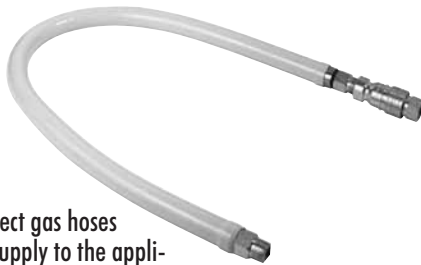
HG-2 Series with FreeSpin Fittings

- FreeSpin rotating gas fittings on both ends, male to male
- Welded fitting connections
- Safe stainless braid
- Extruded coating
- 1/2 PSI max. gas pressure
- Includes (2) elbows



HG-4 Series with Quick-Disconnect End

- Quick-disconnect one end, FreeSpin rotating gas fitting other end
- Welded fitting connections
- Safe stainless braid
- Extruded coating
- 1/2 PSI max. gas pressure
- "Fusible link" quick-disconnect gas hoses automatically shut off gas supply to the appliance when temperatures exceed 350°F (177°C)
- Includes (1) elbow and (1) street elbow



HG-6 Series Reversed Quick-Disconnect

- Male to quick-disconnect plug (reversed quick-disconnect) one end, FreeSpin rotating gas fitting other end
- Welded fittings
- Extruded coating
- Stainless steel braid hose
- 1/2 PSI max. gas pressure
- "Fusible link" quick-disconnect gas hoses automatically shut off gas supply to the appliance when temperatures exceed 350°F (177°C)
- Includes (1) elbow and (1) street elbow
- HG-6-S Series – includes (2) elbows



HG-2-S Series with SwiveLink Fittings

Add an "S" to include SwiveLink swivels at both ends

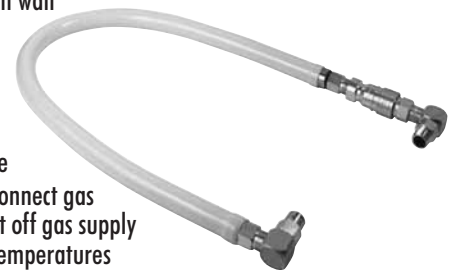
- Maximum clearance from wall
- Minimum folded length
- Stress-free and torque-free motion
- No lock-up position
- 1/2 PSI max. gas pressure
- Includes (2) elbows



HG-4-S Series with Quick-Disconnect and SwiveLink Ends

Add an "S" to include SwiveLink swivels at both ends

- Maximum clearance from wall
- Minimum folded length
- Stress-free and torque-free motion
- No lock-up position
- 1/2 PSI max. gas pressure
- "Fusible link" quick-disconnect gas hoses automatically shut off gas supply to the appliance when temperatures exceed 350°F (177°C)
- Includes (2) elbows



HG-S Series Stationary Appliance Gas Connectors

- Stainless steel stationary appliance gas connector
- 3/4" NPT female threads
- 36" to 48" length
- 1/2 PSI max. gas pressure



Gas Hose Fittings

FreeSpin Fittings

- Standard on both gas hose ends
- Freely rotates 360° even when tight, ending twisted hoses
- Hose does not have to turn to tighten fittings
- Available in sizes 1/2" through 1 1/4" NPT male
- 1/2 PSI max. gas pressure



SwiveLink Fittings

- Provides the most reach with the shortest hose
- Reduces stress on the hose, eliminating kinking
- Keeps gas flow unrestricted
- Patented design; can't lock up
- Meets ANSI Z21.69 for B.T.U. capacity
- Available in sizes 1/2" through 1 1/4"
- 1/2 PSI max. gas pressure



Gas Appliance Connectors – Specifications

HG-2	(2) FreeSpin fittings
HG-2-S	(2) SwiveLink fittings
HG-4	(1) FreeSpin fitting, (1) Quick-disconnect fitting
HG-4-S	(2) SwiveLink fittings
HG-6	(1) FreeSpin fitting, (1) Male to Quick-disconnect fitting
HG-S	(2) Stationary fittings

Specifying An HG-2 and HG-4 Gas Appliance Connector

F 6

Hose Design

Male to Male	2
Male to Quick-Disconnect	4

Internal Thread and Diameter

1/2" N.P.T.	C
3/4" N.P.T.	D
1" N.P.T.	E
1 1/4" N.P.T.	F

Length	Order
24"	24
36"	36
48"	48
60"	60
72"	72

Example:
Gas hose and Installation Kit with Quick-Disconnect, 3/4" N.P.T. and 48" long with SwiveLink fittings:

HG - 4D - 48SK

Suffixes

SwiveLink

Add SwiveLink fitting to both ends of the hose assembly **S***

Installation Kit

Includes everything necessary for an installation **K***

POSI-SET™

Includes one pair POSI-SET (Wheel Placement System for Moveable Cooking Equip.) **PS****

* You may add an "S" and/or "K" suffix to your order

** Models -2C, -2D, -4C, -4D and -4E only



HG-2



HG-2S



HG-4



HG-4S

Specifying An HG-6 Gas Appliance Connector

HG-6

Thread and Diameter

1/2" N.P.T.	C
3/4" N.P.T.	D
1" N.P.T.	E
1 1/4" N.P.T.	F

Hose Length

24"	24
36"	36
48"	48
60"	60
72"	72

Example:

Gas hose with Reverse Quick-Disconnect, 3/4" N.P.T., 48" long: **HG - 6D - 48**



HG-6

Specifying A Stationary Appliance Connector

HG-S

Thread and Diameter

3/4"	D
------	----------

Hose Length

36"	36
48"	48

Example:

Stationary gas hose, 3/4" diameter, 48" long: **HG - SD - 48**



HG-S

Gas Appliance Installation Kit

Gas Hose with Installation Kit

Add a "K" suffix to hose model number (see p. F6) to include all necessary pieces to install a gas appliance.

Each kit includes:

- One 90° street elbow
- One CSA-certified foodservice gas ball valve
- One SureLink restraining cable, adjustable from 3' to 5' lengths (#010625-45)
- All necessary hardware



K Model Installation Kit

Order with these model numbers when you only want the kit:

1/2" Kit	AG-KC
3/4" Kit	AG-KD
1" Kit	AG-KE
1 1/4" Kit	AG-KF
5' cable w/ hardware	AG-RC

Gas Appliance Parts, Components and Accessories

Two-Piece Quick-Disconnect

1/2"	AG-5C
3/4"	AG-5D
1"	AG-5E
1 1/4"	AG-5F



SwiveLink

1/2"	AG-6C
3/4"	AG-6D
1"	AG-6E
1 1/4"	AG-6F



Elbows

- All Elbows are in compliance with ASTM standards

Female-Male Street El*

1/2"	AG-8C-MF
3/4"	AG-8D-MF
1"	AG-8E-MF
1 1/4"	AG-8F-MF

Female-Female Elbow (not shown)

1/2"	AG-8C-FF
3/4"	AG-8D-FF
1"	AG-8E-FF
1 1/4"	AG-8F-FF



Female-Male Street El

Gas Ball Valve

1/2"	AG-7C
3/4"	AG-7D
1"	AG-7E
1 1/4"	AG-7F

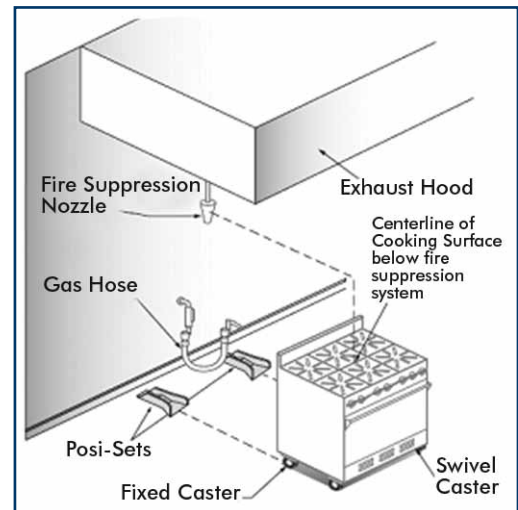


POSI-SET™ Wheel Placement System

- Wheel placement system for moveable cooking equipment
- Designed for the positive placement of moveable gas equipment
- Ensures proper relocation of equipment after moving, cleaning or repairs
- Made of flame retardant thermoplastic resin
- Virtually indestructible
- Includes mounting hardware for proper installation
- Designed to meet the requirements of NFPA 17A 5.6.4 2009 Edition
- Patent No. US 7,581,623



See Page F8 for POSI-SET™ GAS HOSE MODELS!



Safe-T-Link Gas Appliance Hoses and POSI-SET™ Models

- POSI-SET™ is also available bundled together with our most popular Safe-T-Link Gas Hose models
- Refer to the list at right for available model numbers
- One pair of POSI-SET™ included with each gas hose model
- Add "-PS" to hose model



HG-2C-36-PS	HG-4D-36SK-PS	HG-4D-60-PS
HG-2C-48-PS	HG-4D-48-PS	HG-4D-60S-PS
HG-4C-48K-PS	HG-4D-48K-PS	HG-4D-60SK-PS
HG-4C-48SK-PS	HG-4D-48S-PS	HG-4E-48K-PS
HG-4D-36-PS	HG-4D-48SEL-PS	HG-4E-48SK-PS
HG-4D-36K-PS	HG-4D-48SK-PS	

**F
8**

Gas Appliance Connectors Capacity

Minimum BTU per hour (in thousands)
Ref: ANSI Z21.69 / CSA 6.16

		12"	24"	36"	48"	60"	72"
HG-2	C= 1/2"	166	150	125	106	95	86
	D= 3/4"	320	291	250	215	200	174
	E= 1"	639	582	515	443	395	348
	F= 1 1/4"	1185	1075	945	818	735	634

		12"	24"	36"	48"	60"	72"
HG-2-S	C= 1/2"	140	129	111	97	90	84
	D= 3/4"	320	291	250	215	200	174
	E= 1"	639	582	515	443	395	348
	F= 1 1/4"	1144	1042	926	809	735	634

		12"	24"	36"	48"	60"	72"
HG-4	C= 1/2"	92	85	75	70	65	55
	D= 3/4"	259	235	220	180	160	140
HG-4-S	E= 1"	455	420	380	335	290	280
	F= 1 1/4"	770	700	620	540	475	420

		12"	24"	36"	48"	60"	72"
HG-6	C= 1/2"	92	85	75	70	65	55
	D= 3/4"	259	235	220	180	160	140
	E= 1"	455	420	380	335	290	280
	F= 1 1/4"	770	700	620	540	475	420

Stationary Appliance Connectors Capacity

Minimum BTU per hour (in thousands)
Ref: ANSI Z21.24 / CSA 6.10
ANSI Z21.75 / CSA 6.27

		36"	48"
HG-S	D= 3/4"	128	106



SwiveLink Installation Instructions

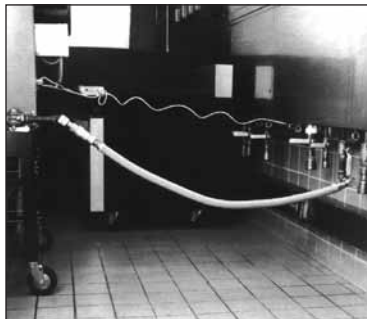
WARNING: Per the ANSI Z21.69 / CSA 6.16 Standard, Gas Connectors cannot be reused when an appliance is being replaced or moved to a new location.

Specify the T&S **SwiveLink** swivel, the ultimate connector accessory, and you gain increased mobility and critical space savings over fixed-end products.

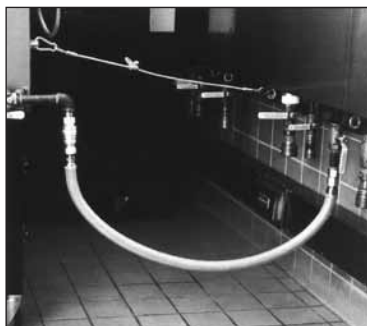
For the first time, let **SwiveLink** connect you to the ultimate convenience of utilizing 100% of the connector's overall length.

- Provides the most reach with the shortest hose
- Reduces stress on the hose, eliminating kinking
- Keeps gas flow unrestricted
- Patented design; can't lock up
- Meets ANSI Z21.69 for B.T.U. capacity
- Available in sizes 1/2" through 1 1/4"
- 1/2 PSI max. gas pressure

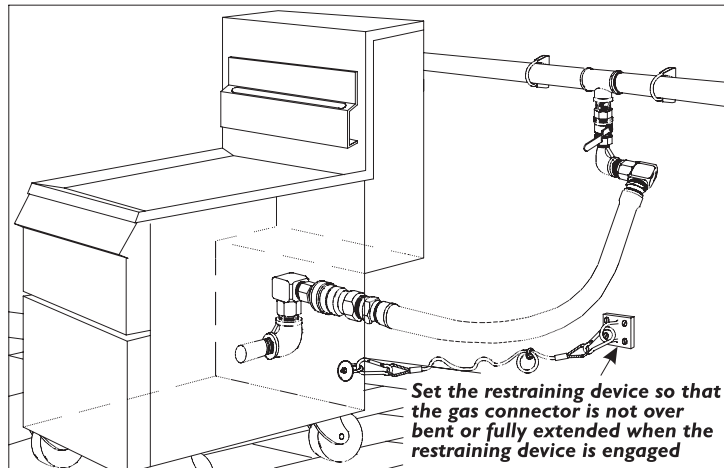
Usable length of hose with SwiveLink



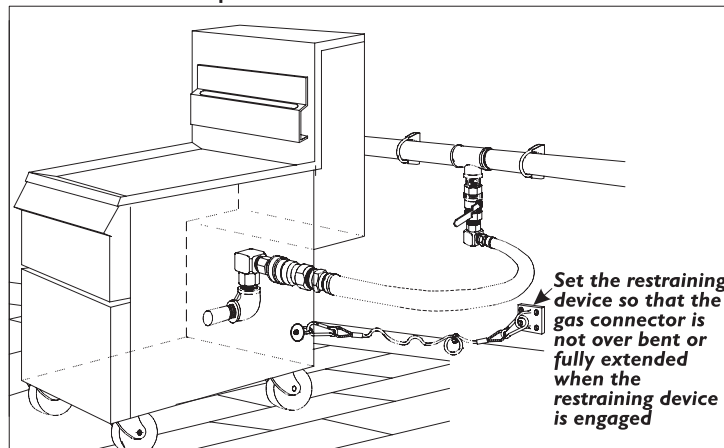
Usable length of hose WITHOUT SwiveLink



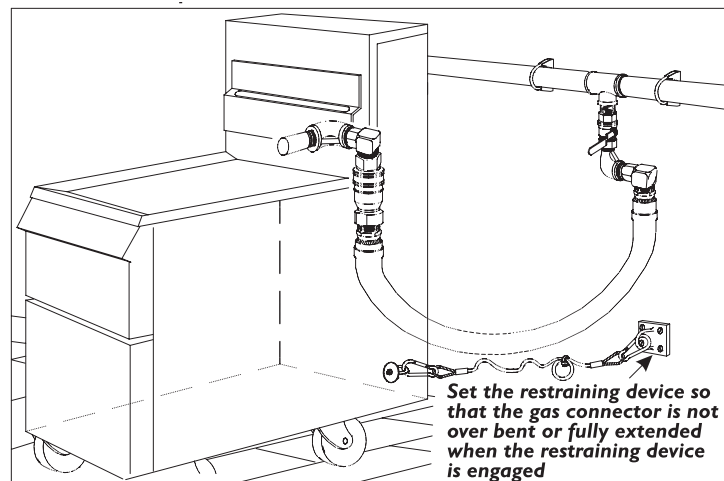
Combination Loop with SwiveLink



Horizontal Loop with SwiveLink



Vertical Loop with SwiveLink



Water Appliance Connectors – Specifications

Specifying An HW-2 and HW-4 Water Appliance Connector

HW - _____ - _____

Hose Design	Order	Length	Order
Male to Male	2	24"	24
Male to Quick-Disconnect	4	36"	36
		48"	48
		60"	60
		72"	72
		72" with Vacuum Breaker	72VB

Thread and Diameter	Order
3/8"	B
1/2"	C
3/4"	D



HW-2



HW-4

Example:

Water hose with Quick-Disconnect, 3/4" diameter and 48" long:

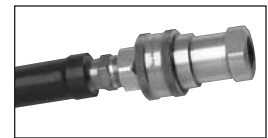
HW – 4D – 48

Note: Not all combinations are available. Check the "Index By Model Number" on page F12 for availability, or call T&S Customer Service.

Specifying An HW-6 Water Appliance Connector

HW - 6 _____ - _____

N.P.T. Thread, Male	Order	Hose Length	Order
3/8"	B	36"	36
1/2"	C	48"	48
3/4"	D	60"	60
		72"	72



HW-6

Example:

Water hose with Reverse Quick-Disconnect, 1/2" N.P.T. and 36" long:

HW – 6C – 36





Index By Model Number & Description

Listed alphabetically by model number

F
12

Model Description

GAS APPLIANCE CONNECTORS

AG-5C	Gas QUICK-DISCONNECT- $\frac{1}{2}$ "
AG-5D	Gas QK-DISCONNECT- $\frac{3}{4}$ " NPT
AG-5E	Gas QK-DISCONNECT-1" NPT
AG-5F	Gas QUICK-DISCONNECT-1 $\frac{1}{4}$ "
AG-6C	Gas SWIVELINK- $\frac{1}{2}$ " NPT MA
AG-6D	Gas SWIVELINK- $\frac{3}{4}$ " NPT MA
AG-6E	Gas SWIVELINK-1" NPT MA x
AG-6F	Gas SWIVELINK-1 $\frac{1}{4}$ " NPT
AG-7D	Gas BALL VALVE- $\frac{3}{4}$ " NPT
AG-8C-MF	Gas STREET EL- $\frac{1}{2}$ " NPT M x F
AG-8D-FF	Gas ELBOW- $\frac{3}{4}$ " NPT FE x FE
AG-8D-MF	Gas STREET EL- $\frac{3}{4}$ " NPT M x F
AG-8E-MF	Gas STREET EL-1" NPT M x F
AG-KC	Gas Kit-CABLE VALVE EL- $\frac{1}{2}$ "
AG-KD	Gas Kit CABLE VALVE EL- $\frac{3}{4}$ "
AG-KE	Gas Kit CABLE VALVE EL-1"
AG-KF	Gas Kit CABLE VALVE EL-1 $\frac{1}{4}$ "
AG-RC	5 ft. CABLE w/ HARDWARE
HG-2C-36	Gas Hose $\frac{1}{2}$ " NPT x 36" Lngth.
HG-2C-36K	Gas Hose $\frac{1}{2}$ " X 36" KIT
HG-2C-36S	Gas Hose $\frac{1}{2}$ " x 36" SWIVEL
HG-2C-48	Gas Hose $\frac{1}{2}$ " NPT x 48" Lngth.
HG-2C-48K	Gas Hose $\frac{1}{2}$ " x 48" KIT
HG-2C-48S	Gas Hose $\frac{1}{2}$ " x 48" SWIVEL
HG-2C-48SK	Gas Hose $\frac{1}{2}$ " x 48" SW KIT
HG-2C-60	Gas Hose $\frac{1}{2}$ " NPT x 60" Lngth.
HG-2C-72	Gas Hose $\frac{1}{2}$ " NPT x 72" Lngth.
HG-2C-72K	Gas Hose $\frac{1}{2}$ " NPT x 72" KIT
HG-2D-24	Gas Hose $\frac{3}{4}$ " NPT x 24" Lngth.
HG-2D-24K	Gas Hose $\frac{3}{4}$ " x 24" KIT
HG-2D-24S	Gas Hose $\frac{3}{4}$ " x 24" SWIVEL
HG-2D-24SK	Gas Hose $\frac{3}{4}$ " x 24" SW KIT
HG-2D-36	Gas Hose $\frac{3}{4}$ " NPT x 36" Lngth.
HG-2D-36K	Gas Hose $\frac{3}{4}$ " x 36" KIT
HG-2D-36S	Gas Hose $\frac{3}{4}$ " x 36" SWIVEL
HG-2D-36SK	Gas Hose $\frac{3}{4}$ " x 36" SW KIT
HG-2D-48	Gas Hose $\frac{3}{4}$ " NPT x 48" Lngth.
HG-2D-48K	Gas Hose $\frac{3}{4}$ " x 48" KIT
HG-2D-48S	Gas Hose $\frac{3}{4}$ " x 48" SWIVEL
HG-2D-48SK	Gas Hose $\frac{3}{4}$ " x 48" SW KIT
HG-2D-60	Gas Hose $\frac{3}{4}$ " NPT x 60" Lngth.
HG-2D-60S	Gas Hose $\frac{3}{4}$ " x 60" SWIVEL
HG-2D-60SK	Gas Hose $\frac{3}{4}$ " x 60" SW KIT
HG-2D-72	Gas Hose $\frac{3}{4}$ " NPT x 72" Lngth.
HG-2D-72K	Gas Hose $\frac{3}{4}$ " x 72" KIT
HG-2D-72S	Gas Hose $\frac{3}{4}$ " x 72" SWIVEL
HG-2D-72SK	Gas Hose $\frac{3}{4}$ " x 72" SW KIT
HG-2E-36	Gas Hose 1" NPT x 36" Lngth.
HG-2E-36K	Gas Hose 1" x 36" KIT
HG-2E-36S	Gas Hose 1" x 36" SWIVELS
HG-2E-36SK	Gas Hose 1" x 36" SW KIT
HG-2E-48	Gas Hose 1" NPT x 48" Lngth.
HG-2E-48K	Gas Hose 1" x 48" KIT
HG-2E-48S	Gas Hose 1" x 48" SWIVELS

Model Description

HG-2E-48SK	Gas Hose 1" x 48" SW KIT
HG-2E-60	Gas Hose 1" NPT x 60" Lngth.
HG-2E-60K	Gas Hose 1" x 60" KIT
HG-2E-60S	Gas Hose 1" x 60" SWIVELS
HG-2E-72	Gas Hose 1" NPT x 72" Lngth.
HG-2E-72K	Gas Hose 1" x 72" KIT
HG-2E-72S	Gas Hose 1" x 72" SWIVELS
HG-2F-48	Gas Hose 1 $\frac{1}{4}$ " x 48" Lngth.
HG-2F-48K	Gas Hose 1 $\frac{1}{4}$ " x 48" KIT
HG-2F-48SK	Gas Hose 1 $\frac{1}{4}$ " x 48" SW KIT
HG-4C-36	Gas Hose $\frac{1}{2}$ " x 36" Q-D
HG-4C-36K	Gas Hose $\frac{1}{2}$ " x 36" Q-D KIT
HG-4C-36S	Gas Hose $\frac{1}{2}$ " x 36" SW Q-D
HG-4C-36SK	Gas Hose $\frac{1}{2}$ " x 36" Q-D SW KIT
HG-4C-48	Gas Hose $\frac{1}{2}$ " x 48" Q-D
HG-4C-48K	Gas Hose $\frac{1}{2}$ " x 48" Q-D KIT
HG-4C-48S	Gas Hose $\frac{1}{2}$ " x 48" SW Q-D
HG-4C-48SK	Gas Hose $\frac{1}{2}$ " x 48" Q-D SW KIT
HG-4C-60	Gas Hose $\frac{1}{2}$ " x 60" Q-D
HG-4C-60K	Gas Hose $\frac{1}{2}$ " x 60" KIT
HG-4C-60S	Gas Hose $\frac{1}{2}$ " x 60" SW Q-D
HG-4C-60SK	Gas Hose $\frac{1}{2}$ " x 60" Q-D SW KIT
HG-4C-72	Gas Hose $\frac{1}{2}$ " x 72" Q-D
HG-4C-72K	Gas Hose $\frac{1}{2}$ " x 72" KIT
HG-4C-72S	Gas Hose $\frac{1}{2}$ " x 72" SW Q-D
HG-4D-24	Gas Hose $\frac{3}{4}$ " x 24" Q-D
HG-4D-24K	Gas Hose $\frac{3}{4}$ " x 24" Q-D KIT
HG-4D-24S	Gas Hose $\frac{3}{4}$ " x 24" SW Q-D
HG-4D-24SK	Gas Hose $\frac{3}{4}$ " x 24" Q-D SW KIT
HG-4D-36	Gas Hose $\frac{3}{4}$ " X 36" Q-D
HG-4D-36K	Gas Hose $\frac{3}{4}$ " x 36" Q-D KIT
HG-4D-36S	Gas Hose $\frac{3}{4}$ " x 36" SW Q-D
HG-4D-36SK	Gas Hose $\frac{3}{4}$ " x 36" Q-D SW KIT
HG-4D-48	Gas Hose $\frac{3}{4}$ " x 48" Q-D
HG-4D-48K	Gas Hose $\frac{3}{4}$ " x 48" Q-D KIT
HG-4D-48S	Gas Hose $\frac{3}{4}$ " x 48" SW Q-D
HG-4D-48SK	Gas Hose $\frac{3}{4}$ " x 48" Q-D SW KIT
HG-4D-60	Gas Hose $\frac{3}{4}$ " x 60" Q-D
HG-4D-60K	Gas Hose $\frac{3}{4}$ " x 60" Q-D KIT
HG-4D-60S	Gas Hose $\frac{3}{4}$ " x 60" SW Q-D
HG-4D-60SK	Gas Hose $\frac{3}{4}$ " x 60" Q-D SW KIT
HG-4D-72	Gas Hose $\frac{3}{4}$ " x 72" Q-D
HG-4D-72K	Gas Hose $\frac{3}{4}$ " x 72" Q-D KIT
HG-4D-72S	Gas Hose $\frac{3}{4}$ " x 72" SW Q-D
HG-4D-72SK	Gas Hose $\frac{3}{4}$ " x 72" Q-D SW KIT
HG-4E-36	Gas Hose 1" NPT x 36" LNG Q-D
HG-4E-36K	Gas Hose 1" x 36" Q-D KIT
HG-4E-36S	Gas Hose 1" x 36" SW Q-D
HG-4E-36SK	Gas Hose 1" x 36" Q-D SW KIT
HG-4E-48	Gas Hose 1" NPT x 48" LNG Q-D
HG-4E-48K	Gas Hose 1" x 48" Q-D KIT
HG-4E-48S	Gas Hose 1" x 48" SW Q-D
HG-4E-48S-RC	Gas Hose 1" x 48" SW Q-D, RC KIT
HG-4E-48SK	Gas Hose 1" x 48" Q-D SW KIT

Model Description

HG-4E-60	Gas Hose 1" NPT x 60" LNG Q-D
HG-4E-60K	Gas Hose 1" x 60" Q-D KIT
HG-4E-60S	Gas Hose 1" x 60" SW Q-D
HG-4E-60SK	Gas Hose 1" x 60" Q-D SW KIT
HG-4F-48	Gas Hose 1 $\frac{1}{4}$ " x 48" LNG Q-D
HG-4F-48K	Gas Hose 1 $\frac{1}{4}$ " x 48" Q-D KIT
HG-4F-48S	Gas Hose 1 $\frac{1}{4}$ " x 48" SW Q-D
HG-4F-48SK	Gas Hose 1 $\frac{1}{4}$ " x 48" Q-D SW
HG-4F-60	Gas Hose 1 $\frac{1}{4}$ " NPT x 60" Q-D
HG-4F-60K	Gas Hose 1 $\frac{1}{4}$ " x 60" Q-D KIT
HG-4F-60S	Gas Hose 1 $\frac{1}{4}$ " x 60" SW Q-D
HG-4F-60SK	Gas Hose 1 $\frac{1}{4}$ " x 60" Q-D SW K
HG-6D-48	Gas Hose RVS-Q-D $\frac{3}{4}$ " x 48"
HG-6D-72	Gas Hose RVS-Q-D $\frac{3}{4}$ " x 72"
HG-SD-36	Gas Hose Stationary $\frac{3}{4}$ " x 36"
HG-SD-48	Gas Hose Stationary $\frac{3}{4}$ " x 48"

WATER APPLIANCE CONNECTORS

AW-5B	$\frac{3}{8}$ " Brass Q-Disconnect
AW-5C	$\frac{1}{2}$ " Brass Q-Disconnect
AW-5D	$\frac{3}{4}$ " Brass Q-Disconnect
HW-2B-24	Water Hose, Male, $\frac{3}{8}$ " x 24"
HW-2B-36	Water Hose, Male, $\frac{3}{8}$ " x 36"
HW-2B-48	Water Hose, Male, $\frac{3}{8}$ " x 48"
HW-2B-72	Water Hose, Male, $\frac{3}{8}$ " x 72"
HW-2C-36	Water Hose, Male, $\frac{1}{2}$ " x 36"
HW-2C-48	Water Hose, Male, $\frac{1}{2}$ " x 48"
HW-2C-60	Water Hose, Male, $\frac{1}{2}$ " x 60"
HW-2C-72	Water Hose, Male, $\frac{1}{2}$ " x 72"
HW-2D-48	Water Hose, Male, $\frac{3}{4}$ " x 48"
HW-4B-24	Water Hose w/Q-D, $\frac{3}{8}$ " x 24"
HW-4B-36	Water Hose w/Q-D, $\frac{3}{8}$ " x 36"
HW-4B-48	Water Hose w/Q-D, $\frac{3}{8}$ " x 48"
HW-4B-72	Water Hose w/Q-D, $\frac{3}{8}$ " x 72"
HW-4B-72VB	Water Hose w/Q-D, Vacuum Breaker, $\frac{3}{8}$ " x 72"
HW-4C-36	Water Hose w/Q-D, $\frac{1}{2}$ " x 36"
HW-4C-48	Water Hose w/Q-D, $\frac{1}{2}$ " x 48"
HW-4C-60	Water Hose w/Q-D, $\frac{1}{2}$ " x 60"
HW-4C-72	Water Hose w/Q-D, $\frac{1}{2}$ " x 72"
HW-4C-72VB	Water Hose w/Q-D, Vacuum Breaker, $\frac{1}{2}$ " x 72"
HW-4D-48	Water Hose w/Q-D, $\frac{3}{4}$ " x 48"
HW-6C-36	Water Hose w/RVS-Q-D, $\frac{1}{2}$ " x 36"
HW-6C-48	Water Hose w/RVS-Q-D, $\frac{1}{2}$ " x 48"
HW-6D-48	Water Hose w/RVS-Q-D, $\frac{3}{4}$ " x 48"

See Page F8 For POSI-SET™ Gas Hose Models!

NOTE: A comprehensive Index By Model or Part Number and Page can be found in the G-11 General Product Catalog Master Index section (IN).

G

Parts Kits



RELIABILITY BUILT IN™



Note: Some individual items listed in parts kits may be ordered separately. Contact T&S factory Customer Service representatives for availability.

Repair and Installation Kits – Pre-Rinse Units

B-0114-RK Roto-Flex Repair Kit



- B-0114 style pre-rinse unit repair kit
- Includes materials to repair both knuckles and elbow

B-PRU-RK Pre-Rinse Repair Kit

- Includes:
- 1 (012665-45) Lubricant
- 3 (001014-45) Hose barrel washers
- 2 (010476-45) #27 Washers
- 1 (001074-45) Swivel 'O'-Ring
- 2 (011429-45) Swivel sleeve
- 1 (001065-45) EasyInstall 'O'-ring
- 1 (014200-45) Serrated lock washer
- 2 (001019-45) Coupling nut washers

BF-PRU-RK Big-Flo Pre-Rinse Repair Kit

- Includes:
- 1 (012665-45) Lubricant
- 3 (001014-45) Hose barrel washers
- 2 (010476-45) #27 Washers
- 3 (000764-20) Removable seat
- 1 (016807-45) Serrated lock washer
- 4 (001068-45) EasyInstall 'O'-rings
- 2 (001019-45) Coupling nut washers

B-0113-K Pre-Rinse Spare Parts Kit

- Includes:
- 1 (000821-40) Spring body
- 1 (000358-40) 3/8" x 3" nipple
- 1 (000888-45) Overhead spring

B-0107 Spray Valve Repair Kits



B-10K B-0107 (1.42 GPM) Spray Valve Repair Kit

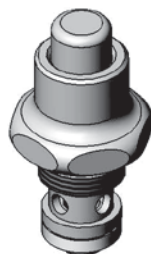
- | | |
|-------------------------------------|--------------------------------|
| 2 (000895-45) Spring | 2 (012915-45) Seat washer |
| 2 (000974-45) Bonnet washer | 1 (007861-45) Spray head ring |
| 2 (010476-45) Hose washer | 1 (000913-45) Spray face screw |
| 2 (001100-45) Stem packing | 1 (001121-45) Spray face |
| 2 (009306-20) Valve stem | |
| 2 (001040-45) Bonnet binding washer | |

B-16K B-0107 (1.42 GPM) Pre-Rinse Sprays Parts Kit

- Parts included:
- 1 (000894-45) Spring
- 2 (000974-45) B-0107 Bonnet Washer
- 2 (010476-45) #27 Washer
- 1 (001062-45) 'O'-Ring
- 2 (009650-45) Seat Washer
- 2 (001100-45) Stem packing

002856-40 B-0107 Spray Valve Bonnet Assembly

- B-0107 spray valve bonnet assembly



B-24K B-0107 Spray Face Repair Kit

- Repairs B-0107 Spray Valve Face:
- 1 (007861-45) Spray head ring
- 1 (000913-45) Spray face screw
- 1 (001121-45) B-0107 Spray face



Note: Some individual items listed in parts kits may be ordered separately. Contact T&S factory Customer Service representatives for availability.

EB-0107 High Flow Spray Valve Repair Kit

EB-10K EB-0107 Spray Valve Repair Kit

- | | |
|------------------------------------|-------------------------------------|
| 4 (000974-45) Bonnet washer | 1 (011456-45) Blue spray face |
| 2 (010476-45) Hose washer | 2 (000895-45) Spring |
| 2 (009306-20) Valve stem | 2 (010565-45) Washer bonnet binding |
| 1 (011475-45) Blue spray head ring | 2 (014615-45) Packing seal |
| 1 (000913-45) Spray face screw | 2 (010563-45) Seat washer |



B-0107-C and B-0107-J Spray Valve Repair Kits

B-10K-C B-0107-C (0.65 GPM) Low Flow Spray Valve Repair Kit

- Parts included for the B-0107-C Spray Valve:

- 2 (000895-45) Spring
- 2 (000974-45) Bonnet Washer
- 2 (010476-45) #27 hose washer
- 2 (001040-45) Bonnet Binding Washer
- 2 (002659-45) Shield
- 2 (001100-45) Packing Seal
- 2 (009306-20) Valve Stem
- 2 (012915-45) Seat Washer



B-10K-J B-0107-J (1.07 GPM) Spray Valve Repair Kit

- Parts included for the B-0107-J Spray Valve:

- 2 (000895-45) Spring
- 2 (000974-45) Bonnet washer brass
- 2 (010476-45) #27 hose washer
- 2 (001040-45) Bonnet binding washer
- 2 (018292-45) Grey shield
- 2 (001100-45) Packing Seal
- 2 (009306-20) Valve Stem
- 2 (012915-45) Seat Washer



B-0108 and B-0108-C JetSpray Valve Repair Kits

Note: Individual items for the B-0108 spray valve are not sold separately.



108V-RK B-0108 JetSpray Valve Repair Kit

Kit includes:

- Spanner bit
- End plug assembly
- Silicon grease
- Valve assembly
- Compression spring

108T-RK B-0108 JetSpray Trigger Repair Kit

Kit includes:

- 6-32 x 3/8" screws (2)
- Silicon grease
- Spring trigger catch sub-assembly
- Stainless steel trigger
- Thread locking compound
- Pivot pin assembly

108S-RK B-0108 JetSpray Screen/ Washer Repair Kit

Kit includes:

- Inlet filter
- Tube of Loctite



108SF-RK B-0108 JetSpray Spray Face Repair Kit

Kit includes:

- Washer
- EPAct 2005 compliant B-0108 spray face (1.48 GPM)



108CSF-RK B-0108-C Low Flow JetSpray Spray Face Repair Kit

Kit includes:

- Washer
- EPAct 2005 compliant B-0108-C spray face (0.65 GPM)



108HSF-RK B-0108-H JetSpray High Flow Spray Face Repair Kit

Kit includes:

- Washer
- Non-EPAct 2005 compliant B-0108-H high flow spray face (4.0 GPM)



Note: some individual items listed in parts kits may be ordered separately. Contact our T&S factory Customer Service representatives for availability.

Repair Kits – Cartridges and Spindle Assemblies

B-0290-K Repair Kit for Big-Flo Faucets

- 2 (001075-45) 'O'-Rings
- 2 (009752-45) Bonnet washers
- 2 (000933-45) Seat washer screws
- 2 (000976-45) Washer
- 2 (002726-45) Bonnet washer
- 2 (001042-45) Bonnet washer
- 2 (002721-45) 'O'-Rings
- 2 (001088-45) Seat washers
- 2 (000764-20) Removable seats

B-5K Old Style B-0230 Faucet Repair Kit

Note: Used on B-0230 spindles prior to barrel type assemblies (old style):

- 1 Right-hand spindle
- 1 Left-hand spindle
- 6 Removable seats
- 4 Seat screws
- 12 Washers
- 12 Bonnet washers
- 12 Washers
- 22 Seat washers
- 12 Big-Flo Bonnet Assemblies



B-1K Eterna Parts Kit

- 2 (000933-45) Seat washer screws
- 2 (001022-45) Bottom gaskets
- 2 (002601-45) Top gaskets
- 2 (001092-45) Seat washers
- 2 (013430-45) Eterna packing seals

B-6K Eterna Spindle Parts Kit

- 1 (000788-20) Right-hand Eterna insert
- 1 (000789-20) Left-hand Eterna insert
- 1 (000811-25) Right-hand spindle insert
- 1 (000812-25) Left-hand spindle insert
- 4 (000933-45) Seat washer screws
- 10 (001022-45) Bottom Gaskets
- 12 (002601-45) Top Gaskets
- 22 (001092-45) Seat washers
- 6 (001098-45) Spindle Packing



B-6RK Cartridge Repair Kit

- 4 (000933-45) Seat washer screws
- 4 (001022-45) Bottom gaskets
- 4 (002601-45) Top gaskets
- 8 (001092-45) Seat washers
- 8 (003164-45) Spring check washers
- 2 (012915-45) B-0107 seat washers
- 4 (013430-45) Eterna packing seals
- 2 (001040-45) Bonnet binding washers
- 4 (000974-45) Bonnet washers
- 4 (001479-45) Spring check springs
- 2 (001100-45) Stem packing
- 4 (001014-45) Hose barrel washers
- 6 (010476-45) #27 washers



B-7K Master Parts Kit for Eterna Spindles

- Included in box:
 - 12 (000788-20) Right-hand Eterna inserts
 - 6 (000789-20) Left-hand Eterna inserts
 - 12 (000811-25) Right-hand spindle inserts
 - 6 (000812-25) Left-hand spindle inserts
 - 6 (000718-25) Packing nuts
 - 12 (000922-45) Lever handle screws
 - 32 (000933-45) Seat washer screws
 - 25 (002601-45) Top gaskets
 - 25 (001022-45) Bottom gaskets
 - 25 (001074-45) Swing nozzle 'O'-rings
 - 32 (001092-45) Seat washers
 - 50 (001098-45) Packings



Note: some individual items listed in parts kits may be ordered separately. Contact our T&S factory Customer Service representatives for availability.

Parts and Repair Kits – Cartridges and Spindle Assemblies

B-8K Push Button Metering Parts Kit

- Included in sorting tray and case:
- 6 (000788-20) Right-hand removable Insert, Hot
- 6 (000789-20) Left-hand removable Insert, Cold
- 10 (001022-45) Bottom Gasket
- 10 (001092-45) Seat Washer
- 6 (014152-40K) Seal Kit
- 25 (012596-45) Bottom Seal
- 3 (000812-25) Left-hand Eterna Spindle Assembly, Cold
- 3 (000811-25) Right-hand Eterna Spindle Assembly, Hot
- 1 (014193-40) Blank Push Button Cap Assembly w/ Spanner Bit
- 1 (238A) Cartridge
- 2 (014152-40) Metering Cartridge Assembly
- 10 (000922-45) Lever Handle Screw
- 10 (000933-45) Seat Washer Screw
- 12 (002601-45) Top Gasket
- 12 (013430-45) Eterna Bonnet Packing Seal
- 6 (000718-45) Packing Nut

B-20K B-1100 Faucets Parts Kit



- Included:
- 1 (000800-25) Right-hand spindle
- 1 (000801-25) Left-hand spindle
- 2 (000933-45) Seat washer screws
- 2 (000986-45) Bonnet washers
- 2 (002726-45) Bonnet washers, S/Steel
- 2 (001074-45) 'O'-rings
- 2 (001092-45) Seat washers
- 4 (010196-25) B-1100 Bonnet assembly (includes 'O'-Rings & Washer)
- 2 (001047-25) Bonnet washers
- 2 (000763-20) Removable seats

B-21K Eterna Replacement Parts Kit

- Included:
- 1 (000788-20) Removable Eterna Insert, Hot
- 1 (000789-20) Removable Eterna Insert, Cold
- 2 (009646-45) Washers for Inserts



B-11K Eterna Cartridge Spindle Kit

- Included:
- 1 (000811-25) Right-hand spindle assembly with seat washer and screw
- 1 (000812-25) Left-hand spindle assembly with seat washer and screw



B-12K B-1100 Spindle Parts Kit

- Included:
- 1 (000800-25) Right-hand Spindle assembly with Seat Washer and Screw
- 1 (000801-25) Left-hand Spindle assembly with Seat Washer and Screw



B-12K-T Same as B-12K except with teflon seat washers (001136-45)

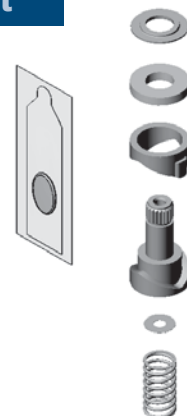
B-13K Eterna Spring Check Spindle Assembly Kit

- Included:
- 1 (001907-25) Right-hand spindle insert
- 1 (001908-25) Left-hand spindle insert
- 2 (003164-45) Seat washer – spring check
- 2 (001479-45) Spring



012555-40 Wrist-Action Metering Cartridge Repair Kit

- Included:
- 1 (012467-45) Bushing
- 1 (016301-20) Spacer
- 1 (012451-45) Linear cam
- 1 (012452-45) Rotary cam
- 1 (012465-45) Washer
- 1 (010317-45) Return spring
- 1 (011676-45) Grease pack



Note: some individual items listed in parts kits may be ordered separately. Contact our T&S factory Customer Service representatives for availability.

Parts and Repair Kits – Cartridges and Spindle Assemblies

B-23K Spring Check Spindle Assembly Replacements

Note: Kit supplied with components unassembled

- Parts included:
- 2 (006557-40) Bonnet Assembly
- 2 (001466-20) Quarter-turn Spindle Sleeves
- 1 (001908-25) Eterna Spindle Assembly (LH)
- 1 (001907-25) Eterna Spindle Assembly (RH)
- 2 (001479-45) Check Spring
- 2 (003164-45) Seat Washer
- 1 (000789-20) Removable Insert Assembly (LH)
- 1 (000788-20) Removable Insert Assembly (RH)

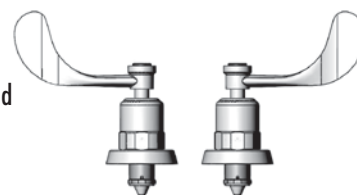


B-238RK Push Button Metering Cartridge Repair Kit

- Included:
- 1 (010150-45) Top Washer
- 1 (017182-45) Bottom Seal Filter Washer
- 1 (009391-45) 'O'-Ring
- 1 (012596-45) Bottom Stem Seal

B-2800-WA-KIT Wrist-Action Metering Cartridge Kit

- Parts included:
- (2) Wrist-action metering cartridges with EasyInstall concealed widespread flanges, 4" wrist-action handles with screws and snap-in indexes



Parts and Repair Kits – Faucets

B-15K EasyInstall Concealed Widespread Faucet Parts Kit

- Parts included in box:
- 12 (000922-45) Lever handle screw
- 32 (000933-45) Screw
- 50 (001098-45) Eterna spindle packing seal
- 6 (009002-25) Packing nut/lock nut
- 25 (002601-45) Gasket
- 25 (001074-45) 'O'-Ring
- 32 (001136-45) Teflon seat washer
- 25 (001022-45) Bottom gasket
- 6 (000789-20) Left hand removable insert assembly
- 6 (000812-25CWS) Left hand spindle assembly
- 12 (000788-20) Right hand removable insert assembly
- 12 (000811-25CWS) Right hand spindle assembly

B-17K "Old Style" B-0230 Faucets Parts Kit

- Included:
- 1 (009194-25) Right-hand Spindle
- 1 (009195-25) Left-hand Spindle
- 2 (000933-45) Seat Washer Screw
- 2 (009649-45) Seat Washer



B-30K Chinese Wok Wand Faucet Parts Kit

- Included:
- 1 (001625-45) Spring
- 4 (001069-45) 'O'-Ring
- 2 (009267-45) 'O'-Ring
- 2 (009268-45) 'O'-Ring
- 2 (001621-20) Bearing

011643-45 Swivel Repair Kit



- Included:
- 2 (011429-45) Swivel sleeves
- 1 (001074-45) 'O'-Ring
- 1 'O'-Ring lubricant



017208-40 Concealed Widespread Faucet Diverter Repair Kit

- Included:
- 1 Diverter and extension
- 1 Center shank with swivel deck flange and flange nut
- 1 Compression nut and fitting



Note: Some individual items listed in parts kits may be ordered separately. Contact T&S factory Customer Service representatives for availability.

Parts and Repair Kits – Faucets

B-2730-DRK Diverter Valve Replacement Kit

- Parts included:
 - 1 Diverter valve stem
 - 1 Diverter valve seal
 - 2 Diverter valve 'O'-Rings
 - 1 Diverter valve body
 - 1 Diverter valve stem seal



Parts and Replacement Kits – Handles

B-9K Lever Handle Kit

- Lever handle kit includes:
 - 1 (001661-45) Index button, red (hot)
 - 1 (001660-45) Index button, blue (cold)
 - 2 (000922-45) Lever handle screw
 - 2 (001638-45) Lever handles, blank



B-18K Four Arm Handle Kit-Lab

- Parts included:
 - 2 (000059-40) Four arm handle
 - 2 (000925-45) Handle screw
 - 1 (001191-45) Index button, green – cold (CW)
 - 1 (001194-45) Index button, red – hot (HW)



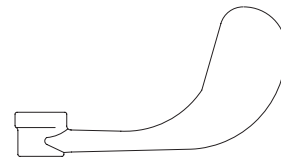
B-19K Four Arm Handle Kit – Kitchen

- Parts include:
 - 2 (002521-45) Four arm handles
 - 2 (000922-45) Handle screws
 - 1 (001661-45) Index button, red (hot)
 - 1 (001660-45) Index button, blue (cold)



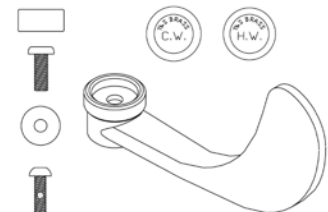
B-2K Wrist-Action Handle and Cartridge Parts Kit

- Wrist-action handle kit includes:
 - 1 Seat washer screw
 - 1 Teflon seat washer
 - 1 Handle screw
 - 1 Cold water index
 - 1 Hot water index
 - 1 4" Wrist-action handle



B-WH4-K Wrist-Action Handle and Quarter-Turn Eterna Parts Kit

- For B-WH4 handle:
 - 2 (001466-20) Quarter-turn sleeve
 - 2 (000925-45) Handle screw
 - 2 (001136-45) Teflon seat washer
 - 2 (000933-45) Seat washer screw
 - 1 (001686-45) Index button, blue (cold)
 - 1 (001194-45) Index button, red (hot)
 - 2 (000078-45) 4" Wrist-action handle



Note: some individual items listed in parts kits may be ordered separately. Contact our T&S factory Customer Service representatives for availability.

Plumbing and Waste Valve – Parts and Repair Kits

B-50P Foot Pedal Valve Parts Kit

- Parts included:
- 4 (009306-20) Valve stem
- 4 (003690-45) Spring
- 4 (000974-45) Bonnet washer
- 4 (001040-45) Washer
- 4 (001100-45) Stem packing
- 4 (012915-45) B-0107 Seat washer (new style)
- 1 (012665-45) Silicon grease tube



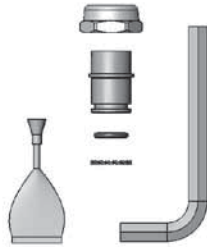
B-39K Waste Valve Repair Kit

- Parts included:
- 1 3-1/2" Head gasket
- 1 3" Head gasket
- 1 Plunger 'O'-Ring
- 1 Outlet coupling washer
- 1 Drain bushing
- 1 Twist handle washer
- 1 Twist handle 'O'-Ring
- 1 Twist handle 'C'-Ring
- 1 Rod nut 'O'-Ring

Parts Kits For Installation

EZ-K EasyInstall Retro-Fit Kit

- Parts include (1) each:
- EasyInstall nut
- EasyInstall bushing
- 'O'-Ring
- Lock washer
- Loctite capsule
- 3/8" Hex key



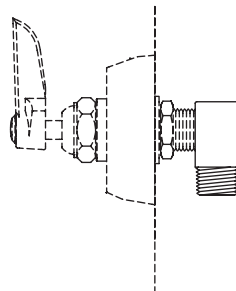
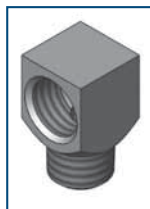
B-0230-KIT Inlet Parts Kit

- Parts included:
- 2 (017420-45) 24" flexible supply hoses
- 2 (B-0230-K) 1/2" NPT male elbow installation kit

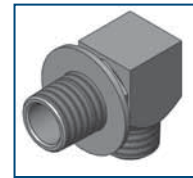
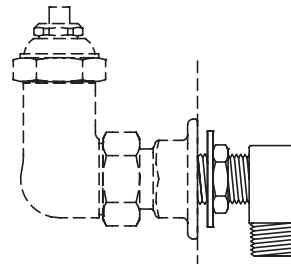


B-1100-K Parts Kit

- Includes 2 each:
- 1/2" NPT Male x Female short ELs



B-0230-K 1/2" NPT Male Elbow Installation Kit



- Includes 2 each:
- 1/2" NPT Supply nipple, lock nut and washer
- 1/2" NPT Male x Female short EL

B-0230-K-M12 Master Pack of 12

B-1105-KIT Parts Kit

- Includes 2 each:
- (B-1100-K) 1/2" NPT Close elbows
- (017420-45) 24" flexible supply hoses



Note: some individual items listed in parts kits may be ordered separately. Contact our T&S factory Customer Service representatives for availability.

Repair Kits for Glass Fillers

B-1255 Repair Kit for "Old Design" Glass Filler

• Includes:

- 2 (001062-45) 'O'-Rings
- 2 (001094-45) Seat washers
- 2 (000894-45) Springs
- 1 (003199-45) Handle screw
- 2 (001100-45) Stem packings
- 1 (003198-45) Handle nut
- 1 (001145-45) Blue lever arm
- 2 (000974-45) Bonnet washers
- 1 (003090-45) Blue outlet
- 1 (012665-45) Silicon grease tube



B-1256 Repair Kit for Glass Filler

• Includes:

- 1 (015588-40) Adjustable outlet with hex key
- 1 (015589-40) Valve assembly with valve spring
- 1 (015550-45) Lever arm repair kit with screw and nut



015589-40 Valve Assembly for New Glass Filler

• Includes:

- 1 Valve assembly, 3/4-20 UN threads
- 1 Stainless steel spring



015550-45 Lever Arm Repair Kit for New Glass Filler

• Includes:

- 1 Dark blue lever arm with screw and nut



G
10

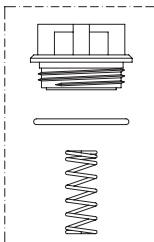
Repair Kits for Vacuum Breakers

B-0963-RK Repair Kit

For B-0963 and includes:

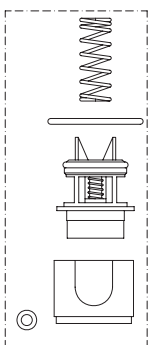
Bonnet Repair Kit
with (1) each:

- Bonnet
- Bonnet 'O'-Ring
- Spring



**Check Assembly
Repair Kit** with
(1) each:

- Spring
- 'O'-Ring
- Vent 'O'-Ring
- Check Assembly
- Retainer
- Bleed screw
- 'O'-Ring



B-0966-RK Repair Kit

For B-0967 and includes 1 each:

- Seat (0.875 O.D.)
- 'O'-Ring (Buna)
- Diaphragm (1/4-1/3 SVB)
- Atmospheric (1/4-1/2 OV-15 Neoperl) check valve
- EPDM 'O'-ring

B-0967-RK Repair Kit

For B-0967 and includes 1 each:

- Seat (0.875 O.D.)
- 'O'-Ring (Buna)
- Diaphragm (1/4-1/3 SVB)
- Atmospheric (1/4-1/2 OV-15 Neoperl) check valve
- EPDM 'O'-ring

B-0968-RK01 Repair Kit

For B-0968 and includes:

- 2 Self-tapping screws
- 1 3/8" NPT vacuum breaker insert
- 1 Insert 'O'-ring
- 1 Piston 'O'-ring
- 1 3/8" NPT vacuum breaker piston



B-0969-RK01 Repair Kit

For B-0969 and includes:

- 2 Coverplate screws
- 1 Brass insert
- 1 Insert 'O'-ring
- 1 Disc seal
- 1 Float piston



H

Emergency Safety Equipment by Haws

axionTM

msr

medically superior Response



axion™

msr

Introducing AXION MSR™ by Haws, the first and only eyewash and eye/face wash specifically designed to operate in concert with standard healthcare protocols and the natural function of the human eye.

In addition to the AXION MSR medical innovations, this exciting new patent-pending product has a number of features that set it apart from any other eyewash on the market:

- ***Inverted eyewash and eye/face wash streams***

AXION eyewash streams are inverted compared with the traditional eyewash. AXION streams contact the eyes at the inner canthus or corner, adjacent to the bridge of the nose. Contaminants are then swept to the outer edge of the eye, where gravity takes over and runs them into the eyewash bowl.

- ***Laminar flow eyewash streams for greater stream consistency***

Another first is the use of laminar flow engineering in the eyewash streams. In simple terms, a laminar flow is one in which there is an absence of turbulence, because the stream is "built" in layers. The result? An even, comfortable, predictable stream height and circumference.

- ***"Zero vertical velocity" engineering for maximum victim comfort***

Next, because AXION eyewash streams are almost vertically oriented, they "stall" at a prescribed height. When the stream exhausts its vertical velocity, it softly turns outward and begins to fall off horizontally. This action causes a slight puddling of the flow in midair before it returns to the eyewash bowl. It occurs directly at the optimal contact point with the eye, making for a more pleasant and effective irrigation experience.



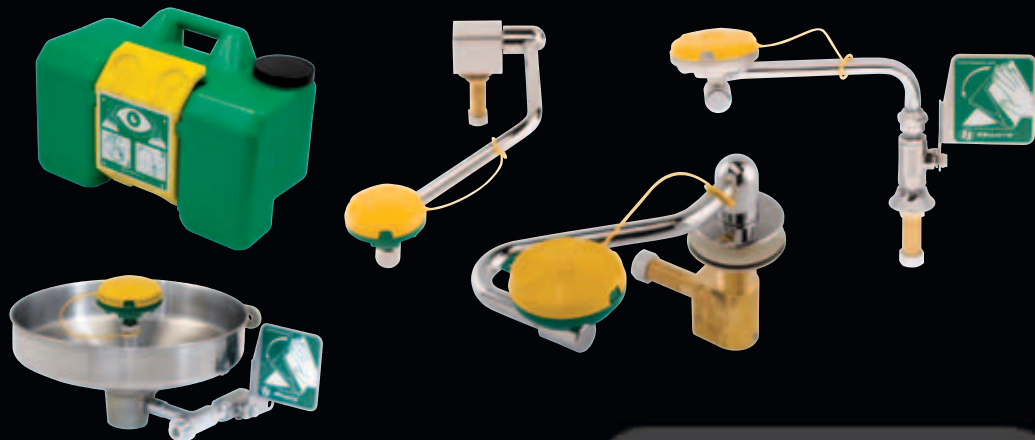
The medically superior response

The medical profession teaches and practices irrigating eyes by introducing flushing fluid at the inner corner of the eye – adjacent to the nose – letting it run across the eye to the outer edge. This is specifically done to avoid driving contaminants into the lacrimal punctum and the nasal cavity. The accepted medical practice is counter to the way that traditional eyewashes operate and can result in further injury to the splash or blown-particulate injured victim. Axion MSR is the only eyewash product that duplicates the methodology used by and recommended by healthcare professionals.

Ophthalmologist Robert S. Wolff, MD



H
3



Emergency Safety Equipment by Haws For Immediate On-The-Job Eye Safety

Why do you need to consider installing an eyewash station in your facility? Since OSHA does not require eyewash stations by industry, the need for an eyewash station should be determined by the chemicals that are used in an establishment. Wherever corrosive chemicals are being used, an eyewash station is very important for employee safety and health.

If corrosive chemicals are being used, an eyewash station is very important for employee safety and health.

EW-7360B Wall Mounted Eye/Face Wash

- ABS green plastic eyewash head with built-in 2.5 GPM flow control
- Integral flip top dust cover
- Round stainless steel receptor with chrome plated brass stay open ball valve, 1/2" NPT inlet and outlet, 1 1/4" NPT waste
- Universal emergency eyewash sign
- Includes "Test This Week" tag to record weekly testing record of emergency equipment



EW-7360B

EW-7501 Nine Gallon Gravity Fed Portable Eyewash Unit

- Nine gallon capacity, high-density green polyethylene tank provides full pattern flushing at .4 GPM for a full 15 minutes
 - Fold down eyewash arm has positive upper limit stop that covers and protects spray outlets when not in use
 - Wide-fill opening for easy inspection, cleaning and filling
 - ABS plastic eyewash heads with tripod anchor, stainless steel socket head cap screw and rubber gasket
 - Includes wall bracket
 - Eyewash preservative sold separately (EW-9082)
- Note:** Unit must be wall hung

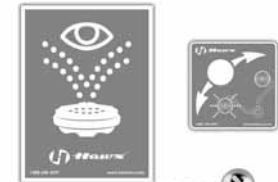


EW-7501

EW-9082

Accessories:

EW-9082 Bacteriostatic preservative, four bottles per carton. One 5 oz. bottle preserves five to 20 gallons of water for up to three months.



EW-7611 Countertop Mounted Pull Down Eye/Face Wash Unit

- Polished chrome plated brass eye/face wash swings forward to activate
- ABS green plastic head with built in 2.5 GPM flow control
- Integral flip top dust cover
- Can be mounted on either right or left side of sink
- Supply: 1/2" O.D. slip joint
- Universal emergency eyewash sign
- Includes "Test This Week" tag to record weekly testing record of emergency equipment

EW-7611



EW-7612 Swing Away Eyewash Unit

- Countertop mounted polished chrome plated brass eye/face wash unit with swing-away feature to activate
- Mounted on right side of sink
- Polyethylene dust cover
- Supply: 1/2" O.D. slip joint
- Universal emergency eyewash sign
- "Test This Week" tag to record weekly testing record of equipment

EW-7612



EW-7612LH Swing Away Eyewash Unit

- Same as EW-7612 except mounted on left side of sink



EW-7612LH

Emergency Safety Equipment by Haws For Immediate On-The-Job Eye Safety

T&S Emergency Equipment by Haws offers you the simple solution to respond appropriately. Our eye and face wash stations can be used in industrial and foodservice applications, where clean-up personnel and others come in contact with corrosive chemicals.

- Certified in the U.S. to meet ANSI Z358.1 Standard for Emergency Eyewash and Shower Equipment
- Certified by CE and CSA in Europe and Canada
- All products tested before shipping
- Quick-Ship next day shipping available

EW-8904 Counter Mounted Laboratory Eye/Face Wash Unit

- Countertop mounted eye/face and body spray
- Head positioned at 45° angle
- Stay open squeeze lever valve
- 8 ft. swivel hose with 1/2" NPT inlet and deck flange that incorporates guiding key slot for proper positioning of spray
- Universal emergency eyewash sign
- "Test This Week" tag to record weekly testing record of equipment



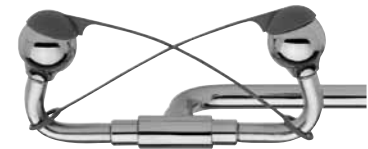
EW-9201EF Tempered Water Blending Valve

- Thermostatic mixing valve supplies tempered water to fixtures with flow from 1 to 12 GPM, sufficient for one or two eye/face wash units
- Includes thermostatic mixing element and outlet temperature gauge
- Fail-safe back up ensures shut-off of incoming hot water if cold water fails or is interrupted; valve goes into cold water bypass mode
- Maintains outlet temperature to within +/- 5°F (2.5°C) with as little as 2 GPM water flow
- Outlet temperature factory setting: 80°F (26°C)
- Maximum inlet pressure: 125 PSI
- Maximum inlet temperature: 180°F (82°C); recommended: 140°F; minimum temperature 120°F
- 1/2" NPT inlet and 3/4" NPT outlet
- Supplied with check valves



EW-9095 Eyewash Sprayhead Covers (only)

- Eyewash sprayhead covers protect eyewash orifices when not in use
- Ring end installed on eyewash frame (as shown) with covers bent over to cover the opposite eyewash orifice



For Eyewash replacement parts, see next page

Emergency Safety Equipment by Haws – Replacement Parts

EW-SP21FC ABS Plastic Head

- Safety green eye/face wash head with built-in 2.5 GPM automatic pressure compensation flow control
- Assures soft, steady stream of water from 30 to 90 PSI
- Integral flip top dust covers automatically release with flow of water
- 1/4" IPS supply



EW-SP90 Stainless Steel Receptor

- Round 11" stainless steel receptor for model EW-7360B



EW-SP131 Cap

- Threaded cap for model EW-7501



EW-SP140 8' Hose

- 250 PSI hose with chrome plated swivel fitting at one end for ease of operation
- For model EW-8904



EW-SP170 Safety Test Cards

- "Test This Week" cards with space to permanently record date and initials of inspector, to record weekly safety testing
- Printed on waterproof stock, comes with beaded ties
- Package of 25



EW-SP225 Stainless Steel Push Flag

- Stainless steel push flag operates stay-open chrome plated brass ball eyewash valve
- Stainless steel ball and stem
- 1/4" NPT female inlet and 1/4" NPT female outlet



EW-SP509 In-Line Mesh Strainer

- Fully serviceable 50 x 50 mesh strainer filters debris from reaching the eye or eye/face wash
- 1/2" x 1/4" strainer, 90°
- 1/2" slip-joint nut and washers (not shown) for connecting to combination shower and eyewash units
- For model EW-7360B





Equip Plumbing Products

equip



Pre-Rinse Units • Faucets • Hose Reels • Glass Fillers

**NEW
MODELS!**





5EF-1D-DG
Electronic Faucet

- Single hole deck-mount sensor faucet
- Rigid gooseneck with 2.2 GPM vandal-resistant aerator
- AC or DC powered control module
- Temperature control mixing valve



5EF-1D-DG

5EF-1D-DG-4DP

- Same as 5EF-1D-DG except with 4" center deckplate

5EF-1D-DG-4DPWS

- Same as 5EF-1D-DG-4DP except with 1.5 GPM vandal-resistant aerator

5EF-1D-DGSM

- Same as 5EF-1D-DG except with side mount mixing control and 10" wide deckplate

5EF-1D-DG-TMV

- Same as 5EF-1D-DG except with thermostatic temperature control mixing valve with integral check valves

5EF-1D-DG-VF05

- Same as 5EF-1D-DG except with 0.5 GPM vandal-resistant outlet device



5EF-1D-WG
Electronic Faucet

- Single hole wall-mount sensor faucet
- Rigid gooseneck with 2.2 GPM vandal-resistant aerator
- AC or DC powered control module
- Temperature control mixing valve



5EF-1D-WG

5EF-1D-WG-TMV

- Same as 5EF-1D-WG except with thermostatic temperature control mixing valve with integral check valves

5EF-1D-WG-VF05

- Same as 5EF-1D-WG except with 0.5 GPM vandal-resistant outlet device

5EF-1D-DS
Electronic Faucet

- Single hole deck-mount sensor faucet
- Cast spout with 2.2 GPM vandal-resistant aerator
- AC or DC powered control module
- Temperature control mixing valve



5EF-1D-DS

5EF-1D-DS-4DP

- Same as 5EF-1D-DS except with 6" wide deckplate

5EF-1D-DS-TMV

- Same as 5EF-1D-DS except with thermostatic temperature control mixing valve with integral check valves

5EF-1D-DS-VF05

- Same as 5EF-1D-DS except with 0.5 GPM vandal-resistant outlet device

5EF-2D-DS
Electronic Faucet

- 4" centerset deck-mount sensor faucet
- Cast spout with 2.2 GPM vandal-resistant aerator
- AC or DC powered control module
- Temperature control mixing valve



5EF-2D-DS

5EF-2D-DS-TMV

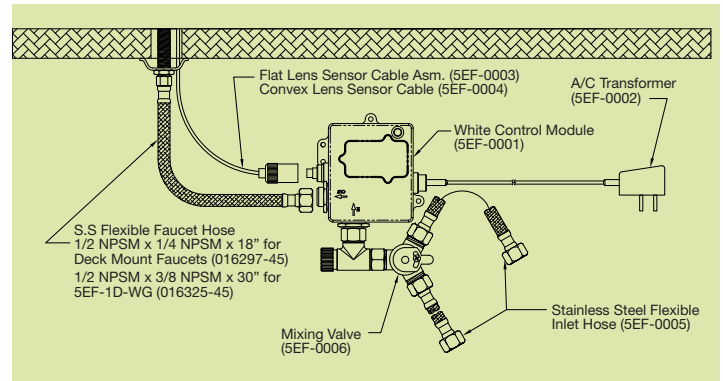
- Same as 5EF-2D-DS except with thermostatic temperature control mixing valve with integral check valves

5EF-2D-DS-VF05

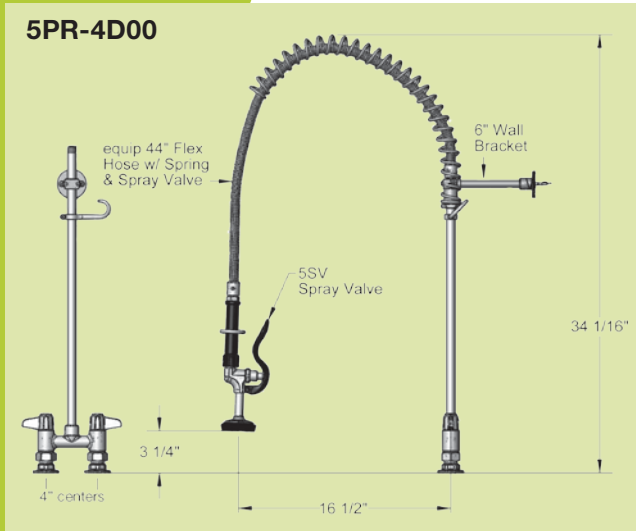
- Same as 5EF-2D-DS except with 0.5 GPM vandal-resistant outlet device

Electronic Faucets Replacement Parts

- 5EF-0001 Control module
- 5EF-0002 AC transformer
- 5EF-0003 Flat lens and sensor wire assembly
- 5EF-0004 Convex lens and sensor wire assembly
- 5EF-0005 Flexible supply hose for 3/8" compression stops
- 5EF-0006 Electronic faucet mixing valve
- 5EF-FILTER Electronic faucet control module filter
- 5EF-TMV Thermostatic mixing valve with 1/2" NPSM male fittings



Pre-Rinse Units

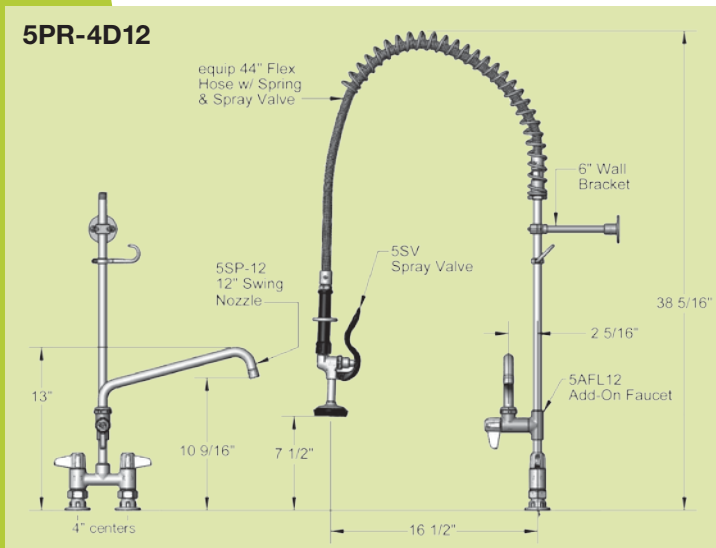


5PR-4D00 4" Deck-Mount Pre-Rinse Unit

- 4" deck-mount mixing faucet
- In-line check valves
- Quarter-turn ceramic cartridges with lever handles and color coded screws
- 1/2" NPT eccentric flanged female inlets
- 44" flex hose with overhead spring
- 1.42 GPM spray valve
- Includes 6" wall bracket
- Available with add-on faucet:

Model No.: **5PR-4D12** Add-On Faucet with 12" swing nozzle
5PR-4D08 Add-On Faucet with 8" swing nozzle

Note: 1/2" NPT supply nipple kit (B-0425-M) sold separately



5PR-4D00

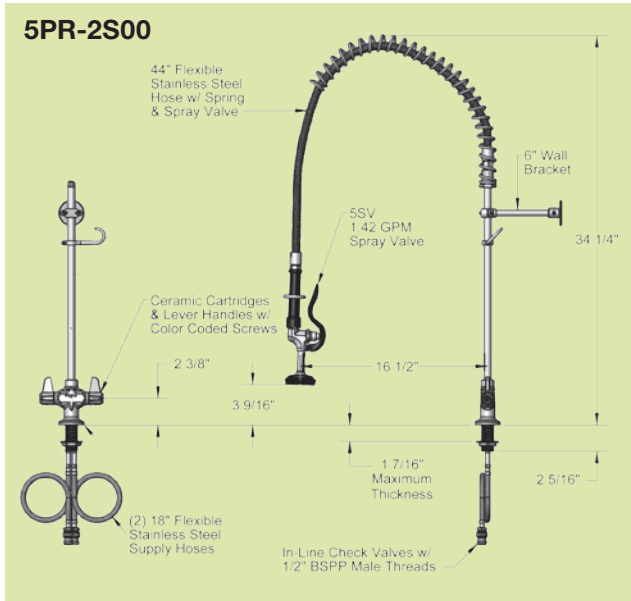


EPA Act 2005
Compliant equip
Sprayface

Certified to NSF/ANSI 61/9



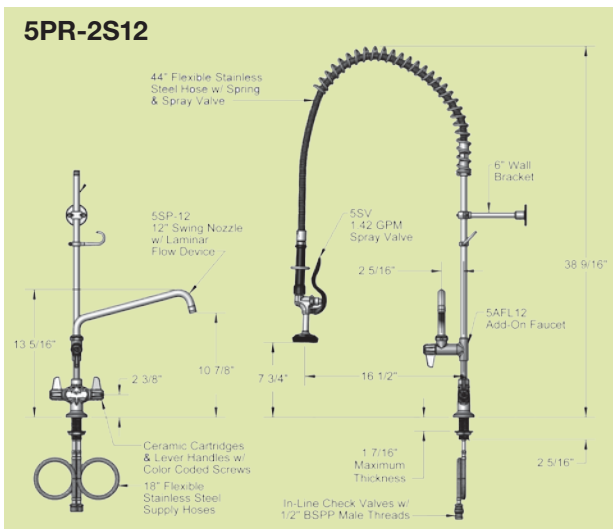
5PR-4D12



5PR-2S00
Single Hole Deck-Mount Pre-Rinse Unit

- Single hole deck-mount mixing faucet
- In-line check valves
- Quarter-turn ceramic cartridges with lever handles and color coded screws
- 18" flexible supply hoses with 1/2" BSPP male check valve inlets
- 44" flex hose with overhead spring
- 1.42 GPM spray valve
- Includes 6" wall bracket
- Available with add-on faucet:

- Model No.: **5PR-2S14** Add-On Faucet with 14" swing nozzle
- 5PR-2S12** Add-On Faucet with 12" swing nozzle
- 5PR-2S10** Add-On Faucet with 10" swing nozzle
- 5PR-2S08** Add-On Faucet with 8" swing nozzle
- 5PR-2S06** Add-On Faucet with 6" swing nozzle



5PR-2S00



EPA Act 2005
Compliant equip
Sprayface

Certified to NSF/ANSI 61/9



5PR-2S12

5PR-2S00-12WB
Pre-Rinse Unit

- Same as 5PR-2S00 except with 12" wall bracket

5PR-2S00-C
Pre-Rinse Unit

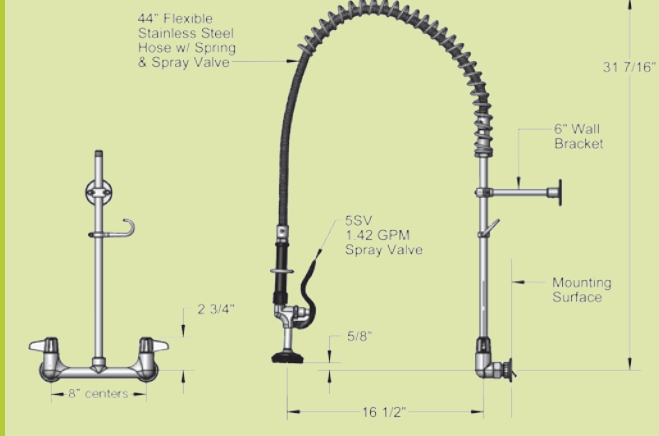
- Same as 5PR-2S00 except with 1.2 GPM low-flow spray valve (5SV-C)

5PR-2S12-C
Pre-Rinse Unit

- Same as 5PR-2S12 except with 1.2 GPM low-flow spray valve (5SV-C)

Pre-Rinse Units

5PR-8W00



5PR-8W00

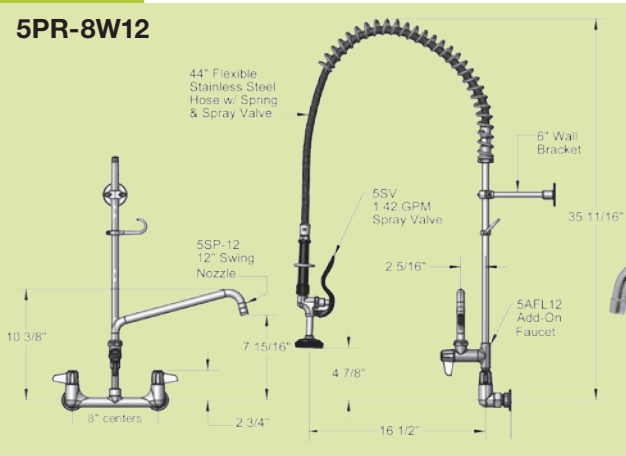
8" Wall-Mount Pre-Rinse Unit

- 8" wall-mount mixing faucet
- In-line check valves
- Quarter-turn ceramic cartridges with lever handles and color coded screws
- 1/2" NPT eccentric flanged female inlets
- 44" flex hose with overhead spring
- 1.42 GPM spray valve
- Includes 6" wall bracket
- Available with add-on faucet. Model No.:

5PR-8W18	Add-On Faucet with 18" swing nozzle
5PR-8W14	Add-On Faucet with 14" swing nozzle
5PR-8W12	Add-On Faucet with 12" swing nozzle
5PR-8W10	Add-On Faucet with 10" swing nozzle
5PR-8W08	Add-On Faucet with 8" swing nozzle
5PR-8W06	Add-On Faucet with 6" swing nozzle

Note: 1/2" NPT male elbow kit (B-0230-K) sold separately

5PR-8W12



5PR-8W00



EPA Act 2005
Compliant equip
Sprayface

Certified to NSF/ANSI 61/9



5PR-8W00-C Pre-Rinse Unit

- Same as 5PR-8W00 except with 1.2 GPM low-flow spray valve (5SV-C)
 - Available with add-on faucet:
Model No.:
- | | |
|------------|--------------------------------------|
| 5PR-8W12-C | Add-On Faucet w/
12" swing nozzle |
| 5PR-8W14-C | Add-On Faucet w/
14" swing nozzle |

5PR-8WLS00 Pre-Rinse Unit

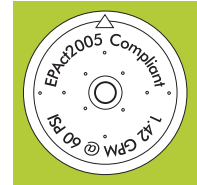
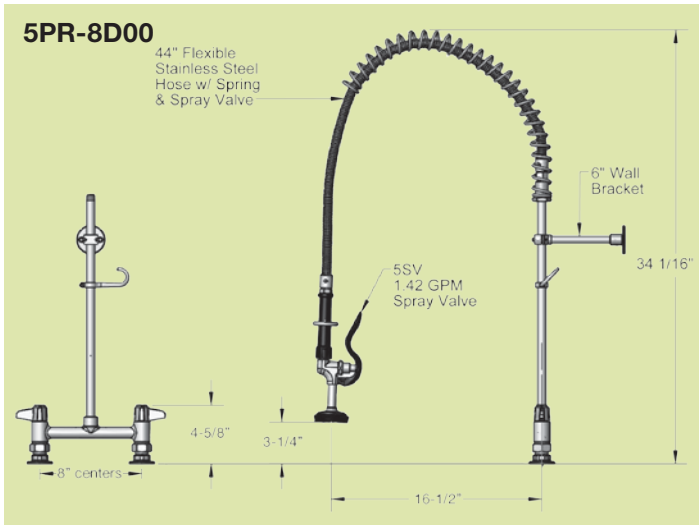
- Same as 5PR-8W00 except with 1/2" NPT male elbow kit (B-0230-K)
 - Also available:
Model No.:
- | | |
|------------|--|
| 5PR-8WWS00 | 4" Wrist-action handles |
| 5PR-8WWS12 | 4" Wrist-action handles,
add-on Faucet with
12" swing nozzle |

5PR-8WLS12 Pre-Rinse Unit

- Same as 5PR-8WLS00 except with add-on faucet with 12" swing nozzle (5AFL12)



5PR-8W12



**EPA Act 2005
Compliant equip
Sprayface**

Certified to NSF/ANSI 61/9



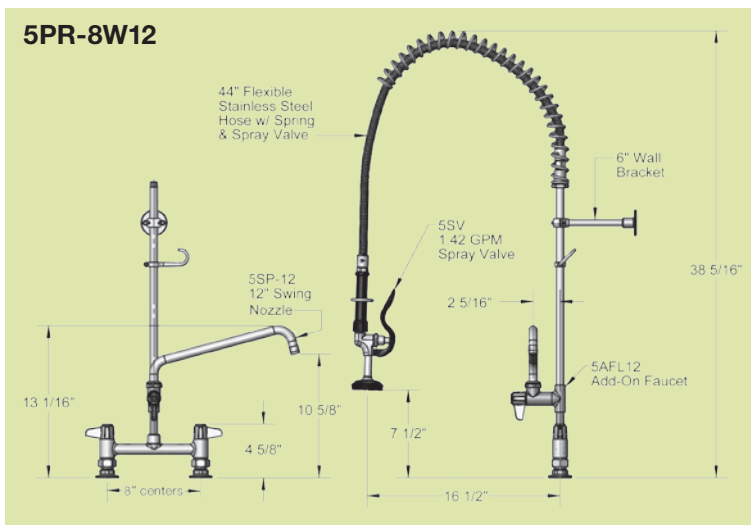
5PR-8D00

8" Deck-Mount Pre-Rinse Unit

- 8" deck-mount mixing faucet
- In-line check valves
- Quarter-turn ceramic cartridges with lever handles and color coded screws
- 1/2" NPT eccentric flanged female inlets
- 44" flex hose with overhead spring
- 1.42 GPM spray valve
- Includes 6" wall bracket
- Available with add-on faucet:

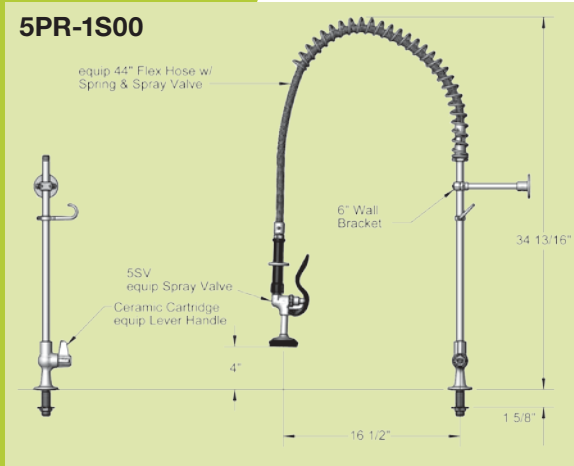
Model No.:	5PR-8D14	Add-On Faucet with 14" swing nozzle
	5PR-8D12	Add-On Faucet with 12" swing nozzle
	5PR-8D10	Add-On Faucet with 10" swing nozzle
	5PR-8D08	Add-On Faucet with 8" swing nozzle
	5PR-8D06	Add-On Faucet with 6" swing nozzle

Note: 1/2" NPT supply nipple kit (B-0425-M) sold separately



Pre-Rinse Units

5PR-1S00



5PR-1S00 Single Supply Deck-Mount Pre-Rinse Unit

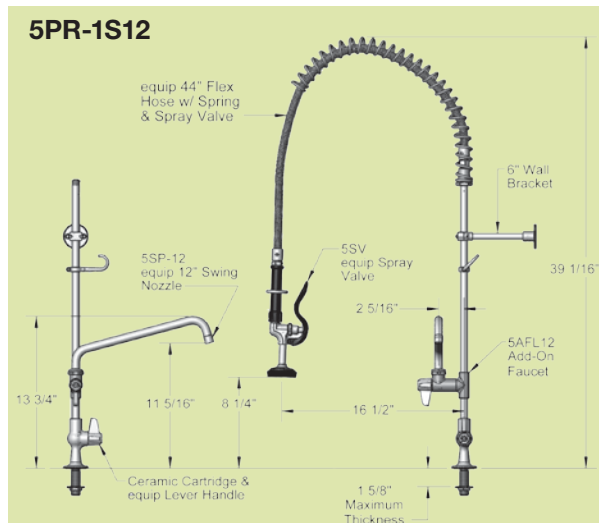
- Single hole, single temperature deck-mount faucet
- In-line check valve
- Quarter-turn ceramic cartridge with lever handle and color coded screw
- 1/2" NPSM male inlet
- 44" flex hose with overhead spring
- 1.42 GPM spray valve
- Includes 6" wall bracket
- Available with add-on faucet:

Model No.:	5PR-1S18	Add-On Faucet with 18" swing nozzle
	5PR-1S14	Add-On Faucet with 14" swing nozzle
	5PR-1S12	Add-On Faucet with 12" swing nozzle
	5PR-1S10	Add-On Faucet with 10" swing nozzle
	5PR-1S08	8" Add-On Faucet with 8" swing nozzle
	5PR-1S06	6" Add-On Faucet with 6" swing nozzle

5PR-1S00-60 Single Supply Deck-Mount Pre-Rinse Unit

- Same as 5PR-1S00 except with 60" stainless steel hose

5PR-1S12



5PR-1S00



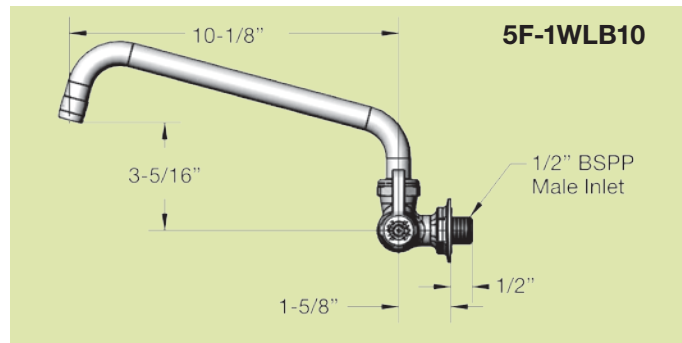
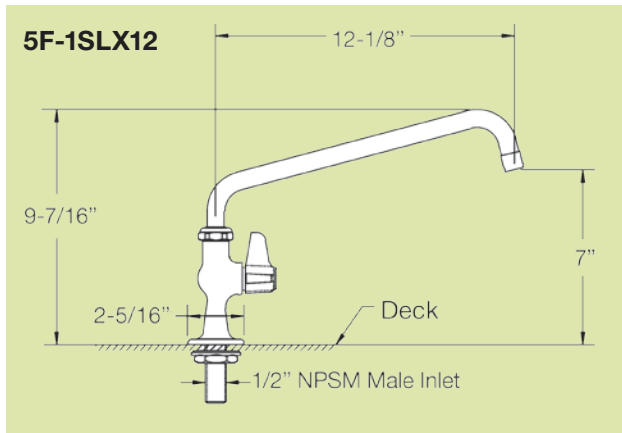
5PR-1S12



**EPA Act 2005
Compliant equip
Sprayface**

Certified to NSF/ANSI 61/9





5F-1SLX12
Single Supply Deck-Mount Faucet

- Single hole, single temperature deck-mount faucet
- 12" swing nozzle with laminar flow device
- Converts to rigid from swivel with lock washer (014200-45)
- Quarter-turn ceramic cartridge with lever handle and color coded screw
- 1/2" NPSM male inlet
- Also available with other length swivel nozzles:
 Model No.: 5F-1SLX18 18" swing nozzle
 5F-1SLX14 14" swing nozzle
 5F-1SLX10 10" swing nozzle
 5F-1SLX08 8" swing nozzle
 5F-1SLX06 6" swing nozzle
 5F-1SLX00 Less swing nozzle

5F-1SLX05
Single Supply Deck-Mount Faucet with 5 1/2" Swivel Gooseneck

- Same as 5F-1SLX12 except with 5 1/2" swivel gooseneck
- 14-13/16" height; 9-9/16" clearance

5F-1SLX03
Single Supply Deck-Mount Faucet with 3" Rigid Gooseneck

- Same as 5F-1SLX12 except with 3" rigid gooseneck
- 12-11/16" height; 9" clearance

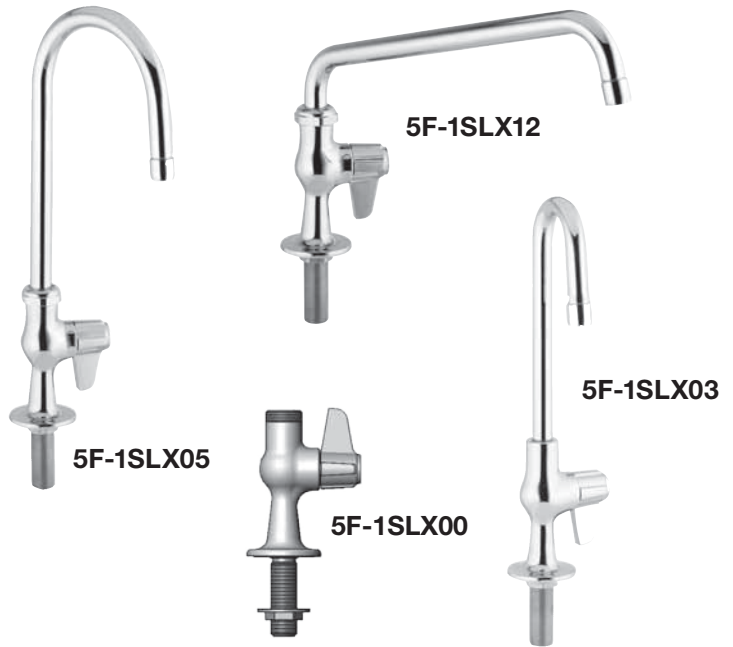
5F-1WLB10
Single Supply Wall-Mount Faucet

- Single hole, single temperature wall-mount faucet
- 10" swing nozzle with laminar flow device
- Converts to rigid from swivel with lock washer (014200-45)
- Ceramic cartridges with lever handles and color coded screws
- 1/2" BSPP male inlet

- Also available with other length swivel nozzles:
 Model No.: 5F-1WLB00 Less swing nozzle

5F-1WLB05C
Single Supply Wall-Mount Faucet

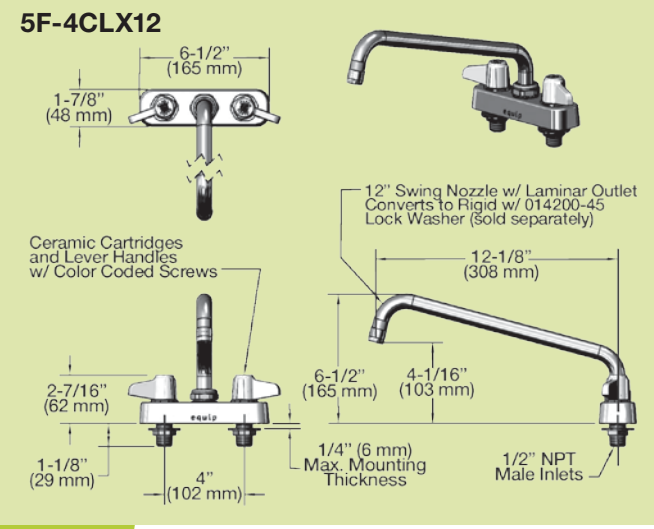
- Same as 1WLB10 except with 5-13/16" swivel gooseneck
- 10-5/16" height; 6-1/4" clearance



Certified to NSF/ANSI 61/9



NEW MODELS!



5F-4CLX12

5F-4CLX12 4" Deck-Mount Workboard Faucet

- 4" deck-mount mixing faucet
- 12" swing nozzle with laminar flow device
- Quarter-turn ceramic cartridges with lever handles and color coded screws
- Also available with other length swing nozzles:
Model No.: 5F-4CLX10 10" swing nozzle
5F-4CLX08 8" swing nozzle
5F-4CLX06 6" swing nozzle
5F-4CLX00 Less swing nozzle

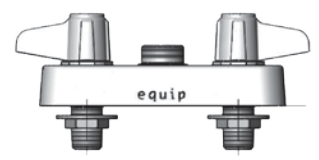
Note: Converts to rigid with (014200-45) lock washer (sold separately)

5F-4CLX05 4" Deck-Mount Workboard Faucet with 5 1/2" Swivel Gooseneck

- Same as 5F-4CLX12 except with 5 1/2" swivel gooseneck
- 11-7/8" height; 6-5/8" clearance

5F-4CLX03A 4" Deck-Mount Workboard Faucet with 3" Swivel Gooseneck

- Same as 5F-4CLX12 except with 3" swivel gooseneck with 2.2 GPM aerator
- 10" height; 6-3/16" clearance

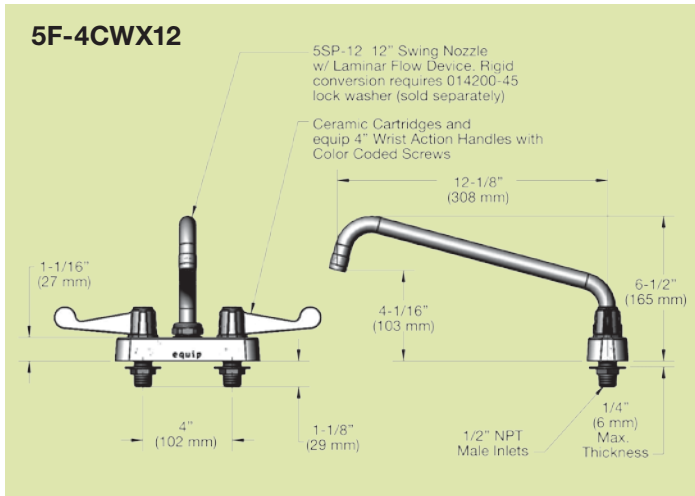


5F-4CLX00



5F-4CLX05

NOTE:
Faucets on this page with lever handles ("L") are also available with 4" wrist-action handles ("W"). Order ex.: 5F-4CWX12
See page I11 for a complete list of these wrist-action handle models.



5F-4CWX12

5F-4CWX12
4" Deck-Mount Workboard Faucet

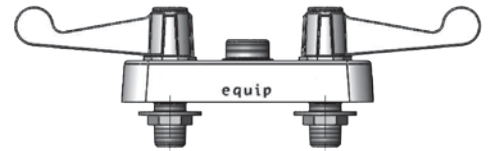
- 4" deck-mount mixing faucet
- 12" swing nozzle with laminar flow device
- Ceramic cartridges with 4" wrist-action handles with color coded screws
- 1/2" NPT male inlets
- Also available with other length swing nozzles:

- Model No.: 5F-4CWX10 10" swing nozzle
- 5F-4CWX08 8" swing nozzle
- 5F-4CWX06 6" swing nozzle
- 5F-4CWX00 Less swing nozzle

Note: Converts to rigid with (014200-45) lock washer (sold separately)



5F-4CWX03A



5F-4CWX00

5F-4CWX05
4" Deck-Mount Workboard Faucet with 5 1/2" Swivel Gooseneck

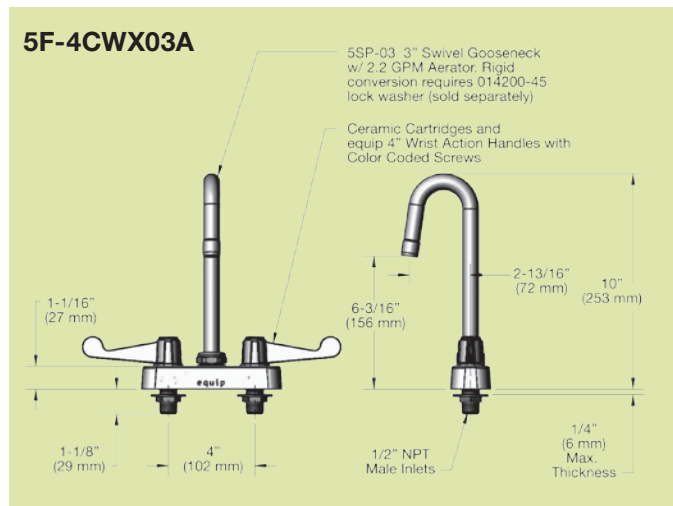
- Same as 5F-4CLX12 except with 5 1/2" swivel gooseneck with laminar outlet
- 11-7/8" height; 6-5/8" clearance

5F-4CWX05A
4" Deck-Mount Workboard Faucet with 5 1/2" Swivel Gooseneck

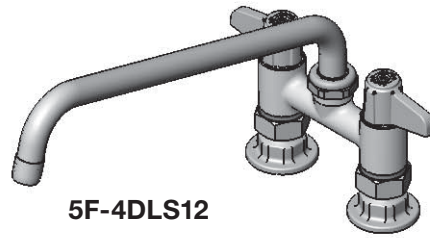
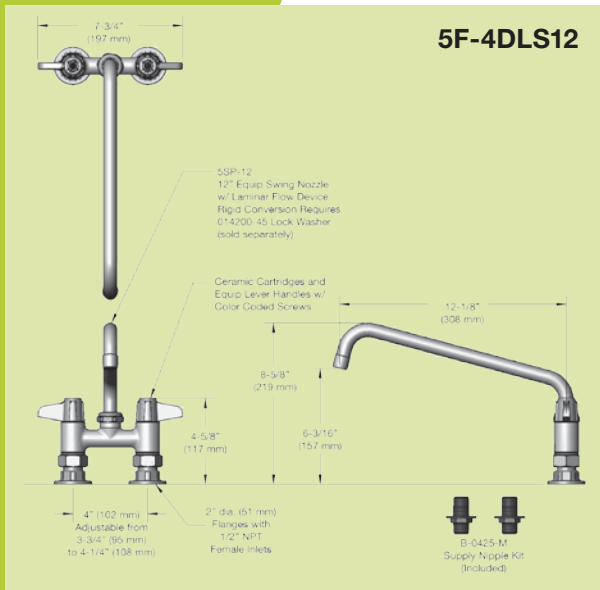
- Same as 5F-4CWX05 except with 5 1/2" swivel gooseneck and 2.2 GPM aerator

5F-4CWX03A
4" Deck-Mount Workboard Faucet with 3" Swivel Gooseneck

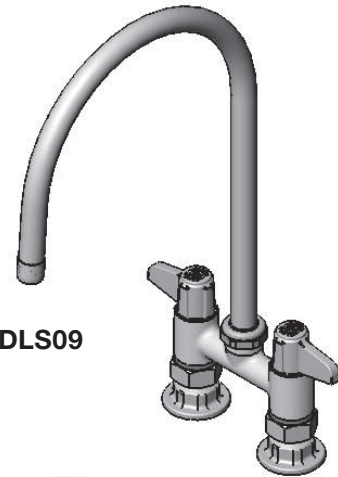
- Same as 5F-4CWX05A except with 3" swivel gooseneck with 2.2 GPM aerator
- 10" height; 6-3/16" clearance



Certified to NSF/ANSI 61/9



5F-4DLS12

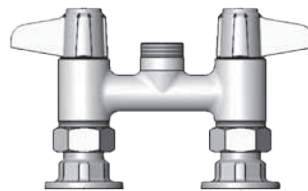


5F-4DLS09

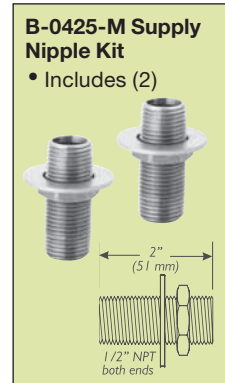
5F-4DLS12 4" Deck-Mount Faucet

- 4" deck-mount mixing faucet
- 12" swing nozzle with laminar flow device
- Ceramic cartridges with lever handles with color coded screws
- 1/2" NPT eccentric flanged female inlets
- 1/2" NPT supply nipple kit included (B-0425-M)
- Also available with other length swing nozzles:

Model No.:	5F-4DLS14	14" swing nozzle
	5F-4DLS12	12" swing nozzle
	5F-4DLS10	10" swing nozzle
	5F-4DLS08	8" swing nozzle
	5F-4DLS06	6" swing nozzle
	5F-4DLS00	Less swing nozzle



5F-4DLS00



B-0425-M Supply Nipple Kit
• Includes (2)

5F-4DLS09 4" Deck-Mount Faucet with 9" Swivel Gooseneck

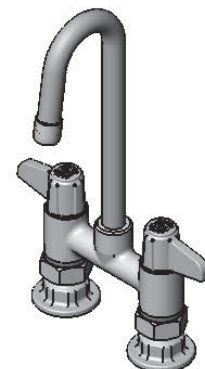
- Same as 5F-4DLS12 except with 9" swivel gooseneck
- 16-15/16" height; 9-15/16" clearance

5F-4DLS05 4" Deck-Mount Faucet with 5 1/2" Swivel Gooseneck

- Same as 5F-4DLS12 except with 5 1/2" swivel gooseneck
- 14" height; 8 3/4" clearance

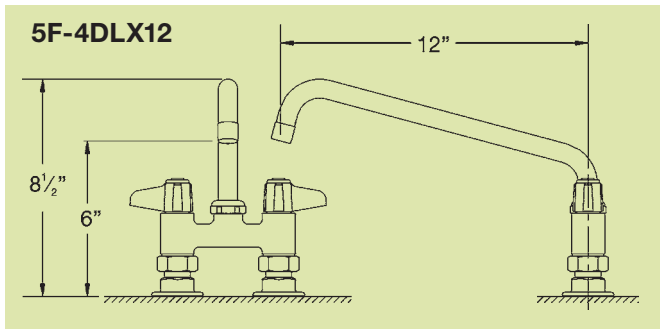
5F-4DLS03 4" Deck-Mount Faucet with 3" Rigid Gooseneck

- Same as 5F-4DLS12 except with 3" rigid gooseneck
- 11-7/8" height; 8-3/16" clearance



5F-4DLS03

Certified to NSF/ANSI 61/9



5F-4DLX12 4" Deck-Mount Faucet

- 4" deck-mount mixing faucet
- 12" swing nozzle with laminar flow device
- Quarter-turn ceramic cartridges with lever handles and color coded screws
- 1/2" NPT eccentric flanged inlets
- Also available with other length swing nozzles:

- Model No.: 5F-4DLX14 14" swing nozzle
 5F-4DLX10 10" swing nozzle
 5F-4DLX08 8" swing nozzle
 5F-4DLX06 6" swing nozzle
 5F-4DLX05 5 1/2" swivel gooseneck
 5F-4DLX03 3" rigid gooseneck
 5F-4DLX00 Less swing nozzle

Note: Converts to rigid with (014200-45) lock washer (sold separately) and 1/2" NPT supply nipple kit (B-0425-M) sold separately



5F-4DLX05

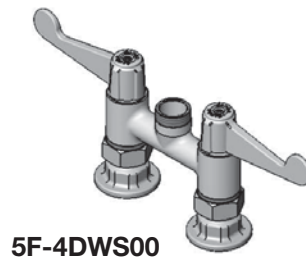


5F-4DLX03

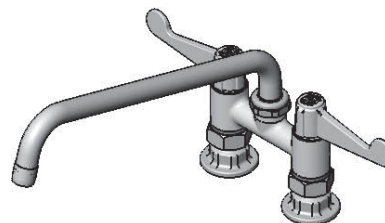
5F-4DWS12 4" Deck-Mount Faucet

- 4" deck-mount mixing faucet
- 12" swing nozzle with laminar flow device
- Quarter-turn ceramic cartridges with 4" wrist action handles and color coded screws
- 1/2" NPT supply nipple kit (B-0425-M)

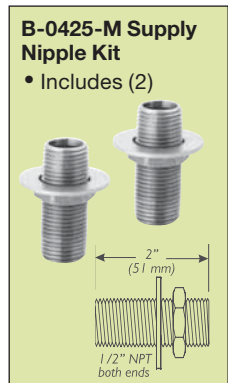
- Also available with other length spouts:
- Model No.: 5F-4DWS14 14" swing nozzle
 5F-4DWS10 10" swing nozzle
 5F-4DWS09 9" swing gooseneck
 5F-4DWS08 8" swing nozzle
 5F-4DWS06 6" swing nozzle
 5F-4DWS05 5 1/2" swivel gooseneck
 5F-4DWS03 3" rigid gooseneck
 5F-4DWS00 Less swing nozzle and wrist action handles (shown right)



5F-4DWS00



5F-4DWS12

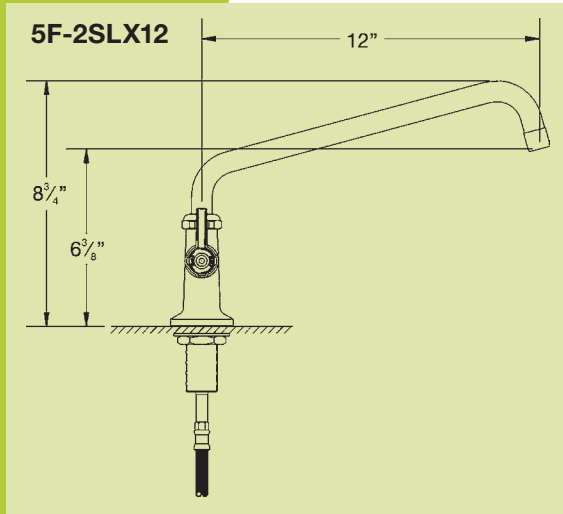


B-0425-M Supply Nipple Kit

- Includes (2)

NOTE:
 Faucets on this page with lever handles ("L") are also available with 4" wrist-action handles ("W"). Order ex.: 5F-4DWS12

Certified to NSF/ANSI 61/9



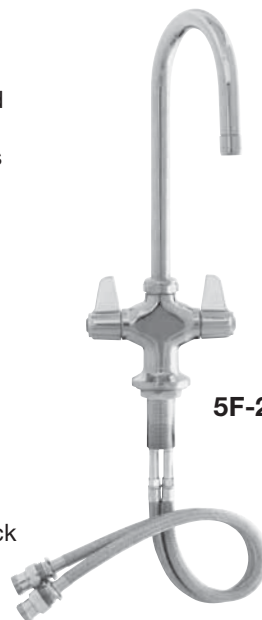
5F-2SLX12

5F-2SLX12 Single Hole Deck-Mount Faucet

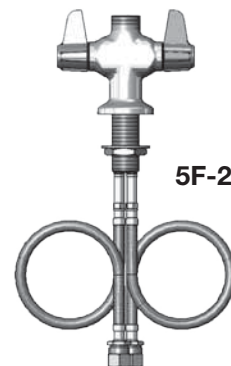
- Single hole deck-mount faucet
- 12" swing nozzle with laminar flow device
- Ceramic cartridge with lever handles with color coded screws
- 18" flexible supply hoses with 1/2" compression fittings
- Also available with other length swing nozzles:
 Model No.: 5F-2SLX18 18" swing nozzle
 5F-2SLX14 14" swing nozzle
 5F-2SLX10 10" swing nozzle
 5F-2SLX08 8" swing nozzle
 5F-2SLX06 6" swing nozzle
 5F-2SLX00 Less swing nozzle

5F-2SLX05 Single Hole Deck-Mount Faucet with 5 1/2" Swivel Gooseneck

- Same as 5F-2SLX12 except with 5 1/2" swivel gooseneck
- 14-1/4" height; 9" clearance



5F-2SLX05



5F-2SLX00

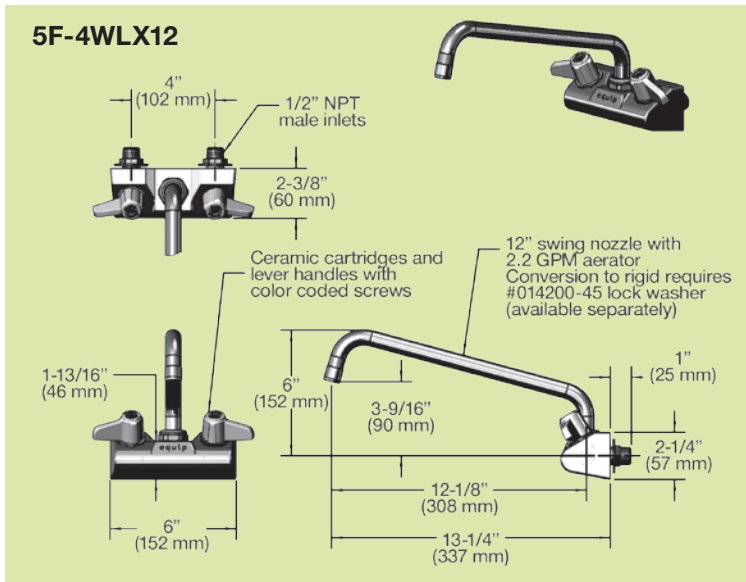
5F-2SLX03 Single Hole Deck-Mount Faucet with 3" Rigid Gooseneck

- Same as 5F-2SLX12 except with 3" rigid gooseneck
- 12-3/16" height; 8-7/16" clearance



5F-2SLX03

Certified to NSF/ANSI 61/9



5F-4WLX03



5F-4WWX00

5F-4WLX12
4" Wall-Mount Faucet

- 4" wall-mount mixing faucet
- Quarter-turn ceramic cartridges with lever handles and color coded screws
- 12" swing nozzle with 2.2 GPM aerator
- 1/2" NPT male inlets

• Also available with other length swing nozzles:

Model No.:	5F-4WLX10	10" swing nozzle
	5F-4WLX08	8" swing nozzle
	5F-4WLX06	6" swing nozzle
	5F-4WLX00	Less swing nozzle
	5F-4WWX00	Less nozzle w/ 4" wrist-action handles

Note: Converts to rigid with (014200-45) lock washer (sold separately)

5F-4WLX05
4" Wall-Mount Faucet (right)

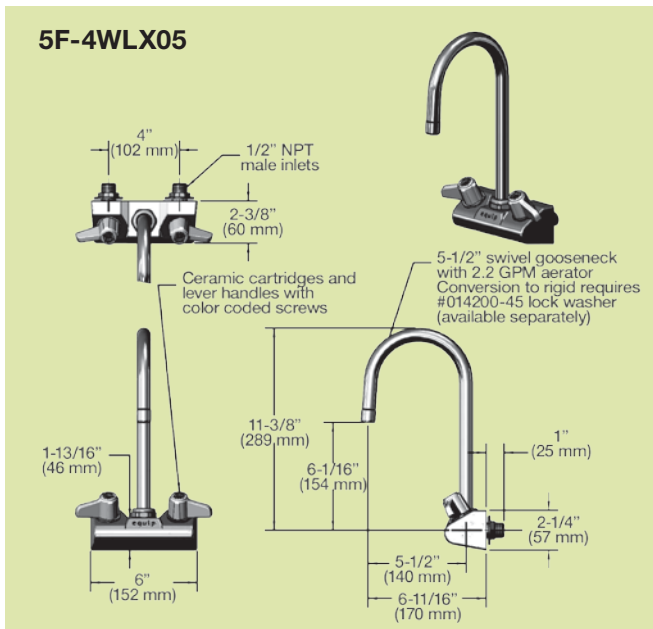
- Same as 5F-4WLX12 except with 5 1/2" swivel gooseneck

5F-4WLX03
4" Wall-Mount Faucet (photo)

- Same as 5F-4WLX12 except with 3" swivel gooseneck
- 9-1/2" height; 5-11/16" clearance

5F-4WLX03-VF05
4" Wall-Mount Faucet

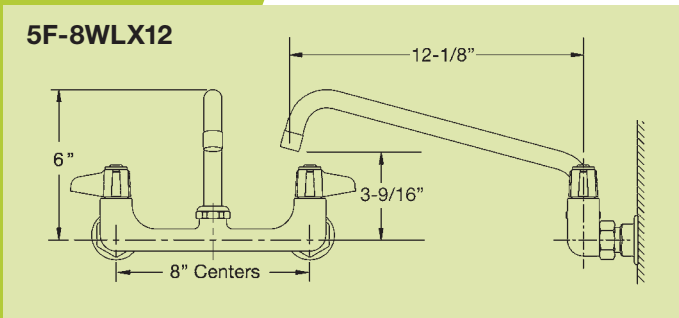
- Same as 5F-4WLX03 except with 0.5 GPM vandal-resistant non-aerated outlet device
- Includes vandal-resistant key
- 9-1/2" height; 5-11/16" clearance



5F-4WLX05

Certified to NSF/ANSI 61/9

NOTE: Faucets on this page with lever handles ("L") are also available with 4" wrist-action handles ("W"). Order ex.: 5F-4WWX12



5F-8WLX12

5F-8WLX12 8" Wall-Mount Faucet

- 8" wall-mount mixing faucet
- 12" swing nozzle with laminar flow device
- Quarter-turn ceramic cartridges with lever handles with color coded screws
- 1/2" NPT eccentric flanged female inlets
- 1/2" NPT male elbow kit (B-0230-K) sold separately
- Also available with other length swing nozzles:

Model No.:	5F-8WLX18	18" swing nozzle
	5F-8WLX16	16" swing nozzle
	5F-8WLX14	14" swing nozzle
	5F-8WLS12*	12" swing nozzle
	5F-8WLX10	10" swing nozzle
	5F-8WLX08	8" swing nozzle
	5F-8WLX06	6" swing nozzle
	5F-8WLS06*	6" swing nozzle
	5F-8WLX00	Less swing nozzle
	5F-8WLX00-EE	Less swing nozzle and with 00EE inlets

* These models include a 1/2" NPT male elbow kit (B-0230-K)

Note: Rigid conversion requires lock washer (014200-45) sold separately

5F-8WLX05 8" Wall-Mount Faucet with 5 1/2" Swivel Gooseneck

- Same as 5F-8WLX12 except with 5 1/2" swivel gooseneck
- 11-3/8" height

5F-8WLX03 8" Wall-Mount Faucet with 3" Rigid Gooseneck

- Same as 5F-8WLX12 except with 3" rigid gooseneck
- 9 1/4" height

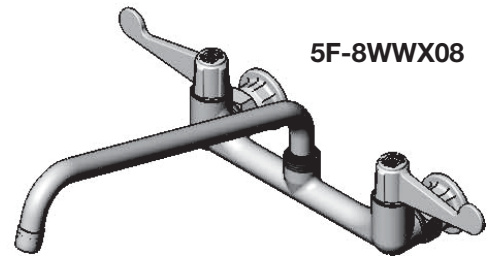
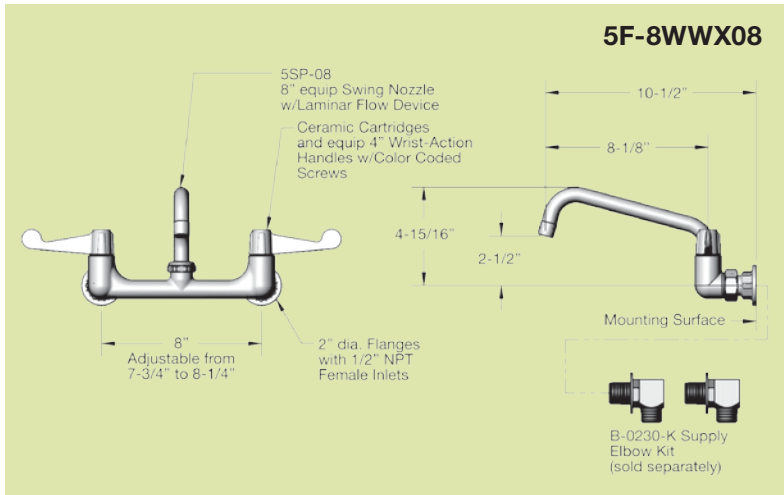


5F-8WLX05



5F-8WLX03

Certified to NSF/ANSI 61/9



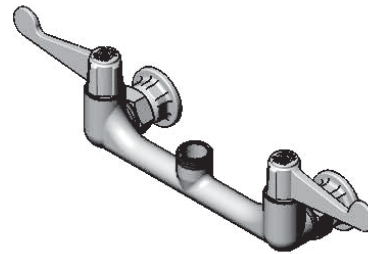
5F-8WWX08
8" Wall-Mount Faucet

- 8" wall-mount mixing faucet
- 8" swing nozzle with laminar flow device
- Ceramic cartridges with 4" wrist-action handles with color coded screws
- 1/2" NPT eccentric flanged female inlets
- 1/2" NPT male elbow kit (B-0230-K) sold separately

Note: Rigid conversion requires lock washer (014200-45) sold separately

5F-8WWX00
8" Wall-Mount Faucet

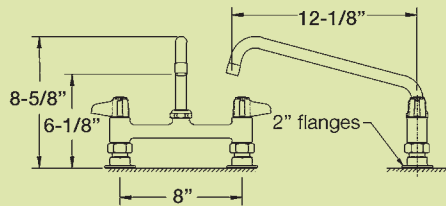
- Same as 5F-8WWX08 except less swing nozzle
- 3" height



Certified to NSF/ANSI 61/9



5F-8DLX12



5F-8DLX12

5F-8DLX12 8" Deck-Mount Faucet

- 8" deck-mount mixing faucet
- 12" swing nozzle with laminar flow device
- Quarter-turn ceramic cartridges with lever handles with color coded screws
- 1/2" NPT eccentric flanged female inlets
- Also available with other length swing nozzles:

Model No.:	5F-8DLX18	18" swing nozzle
	5F-8DLX16	16" swing nozzle
	5F-8DLX14	14" swing nozzle
	5F-8DLX10	10" swing nozzle
	5F-8DLX08	8" swing nozzle
	5F-8DLX06	6" swing nozzle
	5F-8DLX00	Less swing nozzle

Note: Convert to rigid from swivel with lock washer (014200-45) sold separately; Supply nipple kit (B-0425-M) for installation sold separately

5F-8DLX05 8" Deck-Mount Faucet with 5 1/2" Swivel Gooseneck

- Same as 5F-8DLX12 except with 5 1/2" swivel gooseneck
- 14" height; 8-11/16" clearance



5F-8DLX05

5F-8DLX03 8" Deck-Mount Faucet with 3" Rigid Gooseneck

- Same as 5F-8DLX12 except with 3" rigid gooseneck
- 11-7/8" height; 8-3/16" clearance



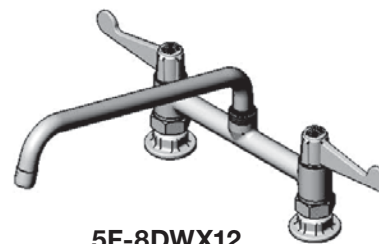
5F-8DLX03

5F-8DWX12 8" Deck-Mount Faucet

- 8" deck-mount mixing faucet
- 12" swing nozzle with laminar flow device
- Quarter-turn ceramic cartridges with 4" wrist-action handles with color coded screws
- 1/2" NPT eccentric flanged female inlets
- Also available with other length swing spouts:

Model No.:	5F-4DWX10	10" swing nozzle
	5F-4DWX08	8" swing nozzle
	5F-4DWX00	Less swing nozzle

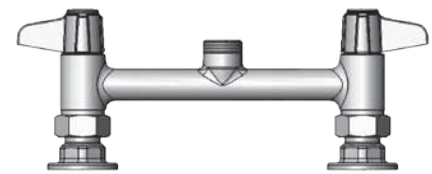
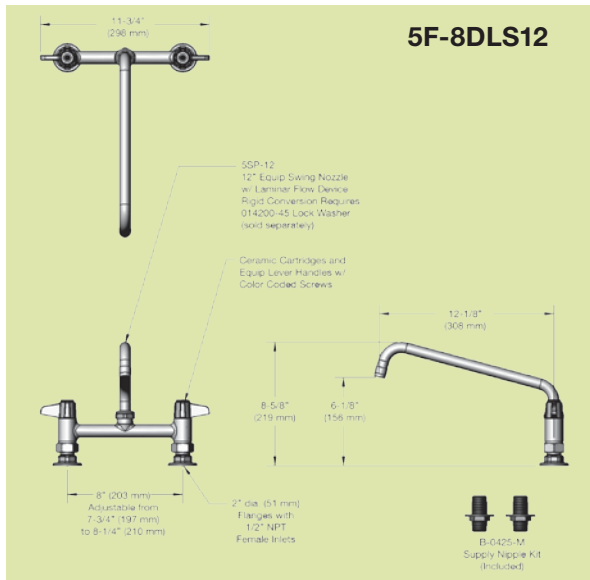
Note: Convert to rigid from swivel with lock washer (014200-45) sold separately; Supply nipple kit (B-0425-M) for installation sold separately



5F-8DWX12

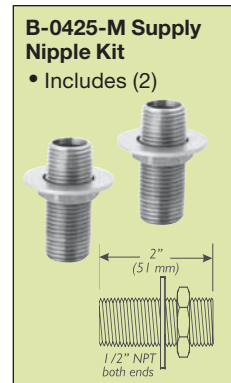
NOTE:
Faucets on this page with lever handles ("L") are also available with 4" wrist-action handles ("W"). Order ex.: 5F-4DWX12

Certified to NSF/ANSI 61/9



5F-8DLS12
8" Deck-Mount Faucet

- 8" deck-mount mixing faucet
- 12" swing nozzle with laminar flow device
- Ceramic cartridges with lever handles with color coded screws
- 1/2" NPT eccentric flanged female inlets
- Includes 1/2" NPT supply nipple kit (B-0425-M)
- Also available with other length swing nozzles:
 Model No.: 5F-8DLS14 14" swing nozzle
 5F-8DLS12 12" swing nozzle
 5F-8DLS10 10" swing nozzle
 5F-8DLS08 8" swing nozzle
 5F-8DLS06 6" swing nozzle
 5F-8DLS00 Less swing nozzle



5F-8DLS09
8" Deck-Mount Faucet with 9" Swivel Gooseneck

- Same as 5F-8DLS12 except with 9" swivel gooseneck
- 16-15/16" height; 9-15/16" clearance

5F-8DLS09



5F-8DLS05
8" Deck-Mount Faucet with 5 1/2" Swivel Gooseneck

- Same as 5F-8DLS12 except with 5 1/2" swivel gooseneck
- 14" height; 8-3/4" clearance

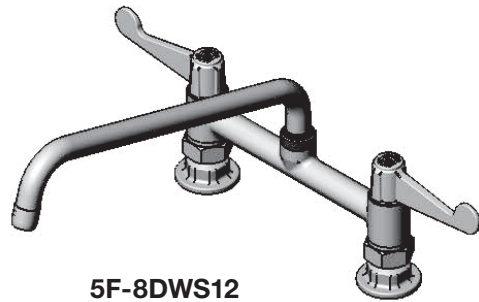
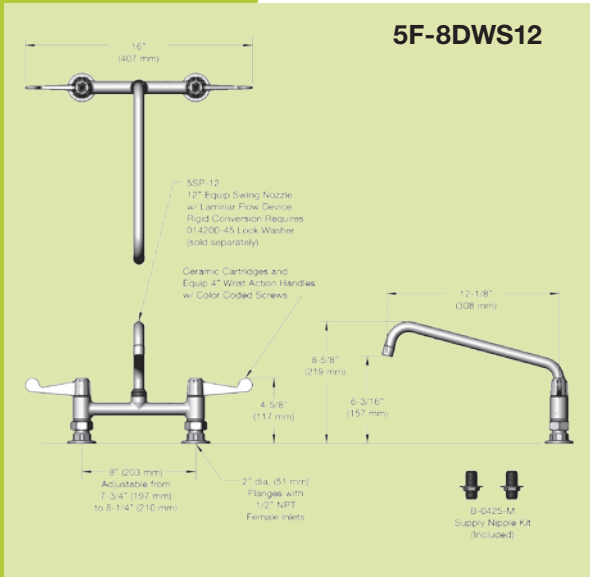
5F-8DLS03
8" Deck-Mount Faucet with 3" Rigid Gooseneck

- Same as 5F-8DLS12 except with 3" rigid gooseneck
- 11-7/8" height; 8-3/16" clearance

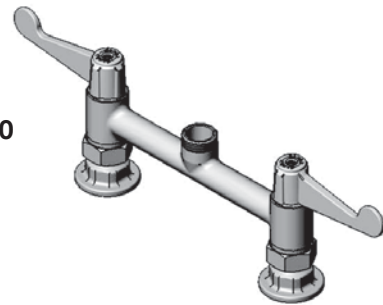
5F-8DLS03



Certified to NSF/ANSI 61/9



5F-8DWS00



5F-8DWS12 8" Deck-Mount Faucet

- 8" deck-mount mixing faucet
- 12" swing nozzle with laminar flow device
- Quarter-turn ceramic cartridges and 4" wrist-action handles with color coded screws
- 1/2" NPT eccentric flanged female inlets
- Includes 1/2" NPT supply nipple kit (B-0425-M)
- Also available with other length swing nozzles:
Model No.: **5F-8DWS14** 14" swing nozzle
5F-8DWS10 10" swing nozzle
5F-8DWS08 8" swing nozzle
5F-8WSX06 6" swing nozzle
5F-8DWS00 Less swing nozzle

Note: Convert to rigid from swivel with lock washer (014200-45) sold separately

5F-8DWS09 8" Deck-Mount Faucet with 9" Swivel Gooseneck

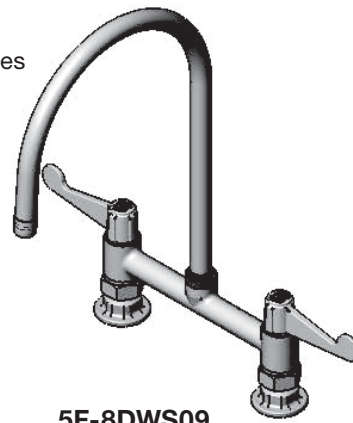
- Same as 5F-8DWS12 except with 9" swivel gooseneck
- 16-15/16" height; 9-15/16" clearance

5F-8DWS05 8" Deck-Mount Faucet with 5 1/2" Swivel Gooseneck

- Same as 5F-8DWS12 except with 5 1/2" swivel gooseneck
- 14" height; 8-11/16" clearance

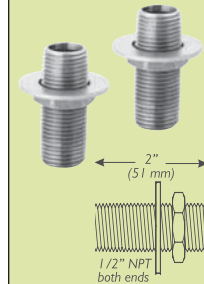
5F-8DWS03 8" Deck-Mount Faucet with 3" Rigid Gooseneck

- Same as 5F-8DWS12 except with 3" rigid gooseneck
- 11-7/8" height; 8-3/16" clearance



B-0425-M Supply Nipple Kit

- Includes (2)



Certified to NSF/ANSI 61/9



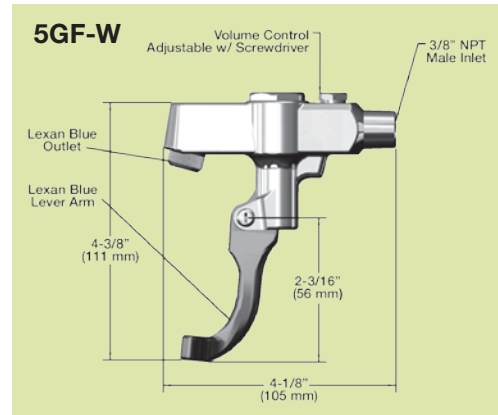
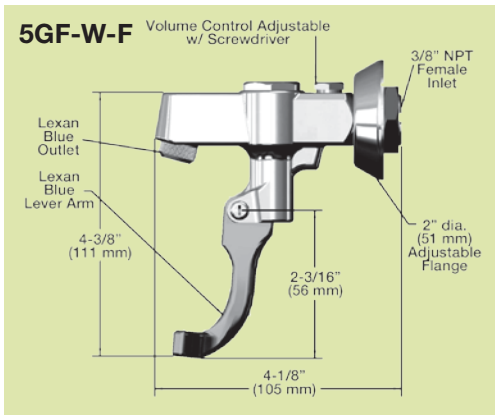
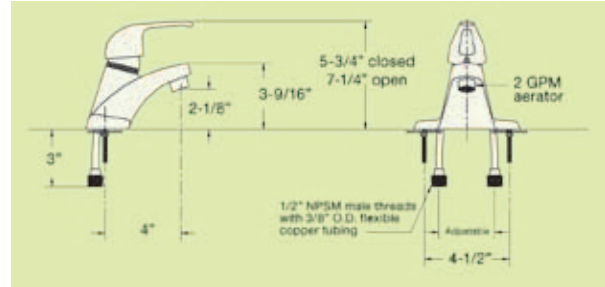
5SL-1000

4" Centerset Single Lever Faucet

- 4" centers
- 1/2" NPSM inlets with 3/8" O.D. flexible copper tubing
- 2.0 GPM aerator
- Single lever cartridge replacement – (015232-45)



5SL-1000



5GF-W-F

Wall-Mount Glass Filler

- Push back arm design
- 3/8" NPT female inlet
- 2" diameter adjustable slip flange
- Blue self-closing Lexan arm
- Blue Lexan outlet
- Volume control adjustable with screwdriver



5GF-W-F



5GF-W

5GF-W

Wall-Mount Glass Filler

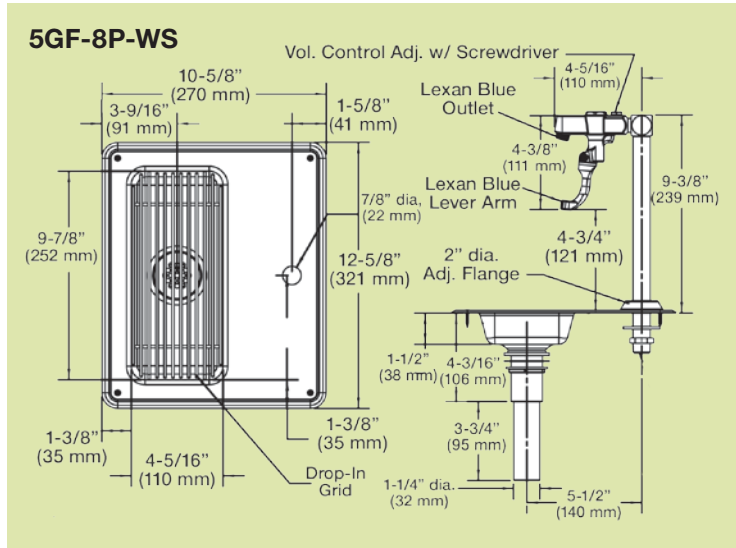
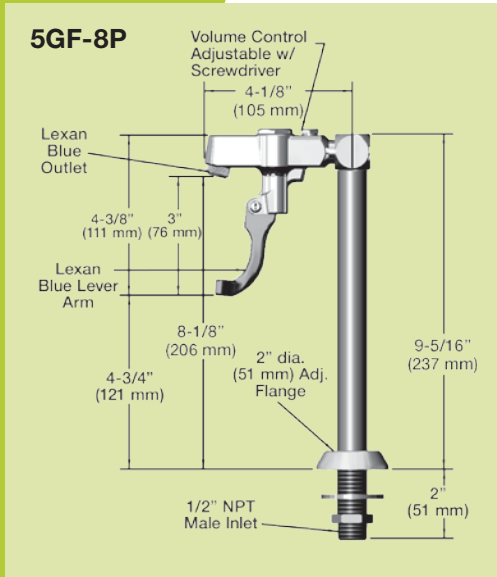
- Push back arm design
- 3/8" NPT male inlet
- Blue self-closing Lexan arm
- Blue Lexan outlet
- Volume control adjustable with screwdriver

5GF-RK

Glass Filler Repair Kit (not shown)

Replacement parts kit includes:

- (2) Springs
- (1) Handle screw
- (1) Handle nut
- (2) Seat washers
- (2) 'O'-rings
- (2) Bonnet washers
- (2) Stem packings
- (2) Outlet washers
- (1) Outlet tip
- (1) Lever arm
- (1) Silicon grease tube



5GF-8P Pedestal Deck-Mount Glass Filler

- 8" pedestal height (from deck to outlet)
- Push back design
- 1/2" NPT male inlet
- 2" diameter adjustable flange
- Blue self-closing Lexan arm
- Blue Lexan outlet
- Volume control adjustable with screwdriver

5GF-12P Pedestal Deck-Mount Glass Filler

- Same as 5GF-8P except with 12" pedestal height

5GF-16P Pedestal Deck-Mount Glass Filler

- Same as 5GF-8P except with 16" pedestal height

5GF-8P-WS Glass Filler Water Station

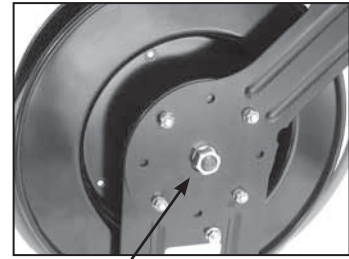
- 8" pedestal glass filler with retro design
- Push back design
- 18 gauge stainless steel drip pan
- 1 1/4" drain
- 1/2" NPT male inlet
- 2" diameter adjustable flange
- Blue self-closing Lexan arm
- Blue Lexan outlet
- Volume control adjustable with screwdriver
- Stainless steel screws for mounting included
- Suggested drip pan cut-out: 10 1/2" x 5"

**NEW
MODELS
AVAILABLE
SOON!**



5HR-232, 5HR-242 and 5HR-342 Open Hose Reels

FEATURES:



Guide Arm

- 4-position orientation
- Mounted independently
- Easily adjustable
- Thick steel structure
- Extra ribs for strength

Adjustable Hose Stop

Main Spring

- Proprietary spring alloy
- Exceeds 25K pull cycle test
- Easy and safe service

Reel and Base

- Powder coated steel
- Thick steel structure
- Extra ribs for strength

Hose

- 3/8" male end
- 3/8" I.D. EPDM tube
- Reinforced wear-resistant black cover
- 35' and 50' hose lengths
- 300 PSI max.
- 176°F maximum temperature

Heavy-Duty Brass Swivel

- Outboard of reel
- 3/8" NPT female inlet
- Easy 'O'-Ring service
- 'O'-Ring: Buna-N nitrile and two nylon wearing rings

- **Standard on -GH models:**
3' long 3/8" NPT male x garden hose female connector hose

5SV-H High Flow Spray Valve

- For washdown applications; not intended for use with pre-rinse units (does not include handle)
- Add "-01" to models to include spray valve with handle
- 3/4-14 inlet
- EPAAct 2005 Non-compliant
- Also available: **5SV-H-RK** Sprayface repair kit
5SV-WH High flow spray valve with handle



5WG-1000-01 Water Gun

- Water gun with lockable trigger and adjustable spray nozzle
- Includes quick-disconnect with 3/4" garden hose female inlet
- 1/2" NPSM female and 3/8" NPT female adapters



Open Hose Reels

- 3/8" and 1/2" NPT connections
- Replacement parts
- Optional spray valve models available

5HR-232, 5HR-242 and 5HR-342

Open Hose Reels

- Black epoxy coated steel
- 35' and 50' hose lengths
- 3/8" I.D. hose
- Hose is rated at 300 PSI with a maximum temperature of 176°F
- 3/8" NPT male outlet on hose
- 3/8" NPT female inlet in reel



**5HR-232,
5HR-242
and
5HR-342**

Hose Reel Model Options

5HR-232 Models:

- **5HR-232** Hose Reel with 35' hose length
- **5HR-232-01** Includes **5SV-WH** Spray Valve
- **5HR-232-09** Includes **5WG-1000-01** Water Gun
- **5HR-232-12** Includes **EMV-0522-24** Front Trigger Water Gun
- **5HR-232-GH** Includes 3 ft. long 3/8" NPT male x 3/4" garden hose female connector hose
- **5HR-232-01-GH** Includes **5SV-WH** Spray Valve and 3 ft. long 3/8" NPT male x 3/4" garden hose female connector hose

5HR-242 Models:

- **5HR-242** Hose Reel with 50' hose length
- **5HR-242-01** Includes **5SV-WH** Spray Valve
- **5HR-242-09** Includes **5WG-1000-01** Water Gun
- **5HR-242-12** Includes **EMV-0522-24** Front Trigger Water Gun
- **5HR-242-GH** Includes 3 ft. long 3/8" NPT male x 3/4" garden hose female connector hose
- **5HR-242-01-GH** Includes **5SV-WH** Spray Valve and 3 ft. long 3/8" NPT male x 3/4" garden hose female connector hose

5HR-342 Models:

- **5HR-342-01-GH** 1/2" x 50' Hose with **5SV-WH** Spray Valve and 3 ft. long 1/2" NPT male x 3/4" garden hose female connector hose
- **5HR-342-09-GH** 1/2" x 50' Hose with **5WG-1000-01** Spray Valve and 3 ft. long 1/2" NPT male x 3/4" garden hose female connector hose
- **5HR-342-GH** 1/2" x 50' Hose with 3 ft. long 1/2" NPT male x 3/4" garden hose female connector hose

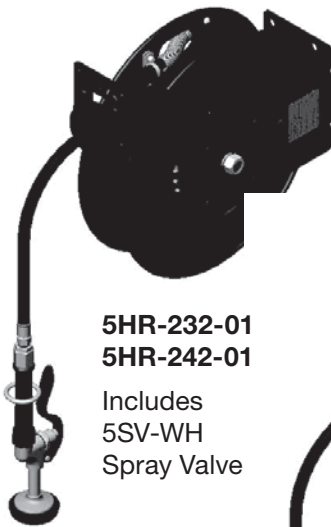
Hose Reel Assembly Replacement Parts

Description	35' Open Reel	50' Open Reel
Spring Assembly	G016682-45	G016684-45
Complete Swivel Asy.	5HR-2SA	5HR-2SA
Seal Kit	014948-45	014948-45
Hose Assembly	5HR-2HSE-35	5HR-2HSE-50

5HR-232 and 5HR-242 Hose Reel Models

5HR-232 Hose Reels

- Black powder coated steel
- 3/8" x 35' hose
- Stainless steel shaft and brass swivel with 3/8" NPT female inlet (left side of reel)
- Includes mounting bracket with holes and slots



5HR-232-01
5HR-242-01

Includes
5SV-WH
Spray Valve



5HR-232-09
5HR-242-09

Includes
5WG-1000-01
Water Gun with
Quick-Disconnect
and 3/8" and 1/2" Adapters

5HR-242 Hose Reels

- Black powder coated steel
- 3/8" x 50' hose
- Stainless steel shaft and brass swivel with 3/8" NPT female inlet (left side of reel)
- Includes mounting bracket with holes and slots

Spray Outlet Options

5SV-WH
Hose Reel Spray Valve



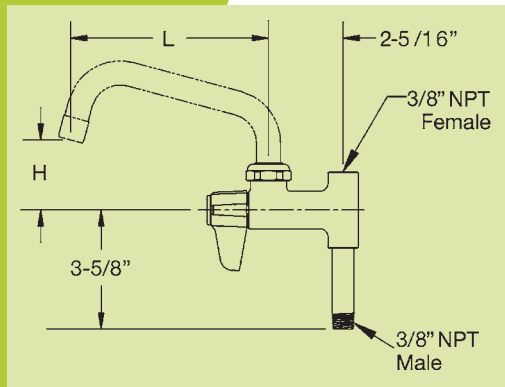
5SV-H
High-Flow Spray Valve
(4.0+ gpm)



5WG-1000-01
Front Trigger
Water Gun with
Quick-Disconnect
and Adapters



Accessories



Add-On Faucets with Swing Nozzles in various lengths

- For pre-rinse units
- 3/8" NPT female outlet, 3/8" NPT male inlet
- Model No.:

- 5AFL18 18" Swing nozzle and laminar flow device
- 5AFL16 16" Swing nozzle and laminar flow device
- 5AFL14 14" Swing nozzle and laminar flow device
- 5AFL12 12" Swing nozzle and laminar flow device
- 5AFL10 10" Swing nozzle and laminar flow device
- 5AFL08 8" Swing nozzle and laminar flow device
- 5AFL06 6" Swing nozzle and laminar flow device
- 5AFL00 Faucet less nozzle

Certified to NSF/ANSI 61/9



5AFL12



5AFL00

Model No.	Description	"H" Inches	"L" Inches
5AFL00	No nozzle	N/A	N/A
5AFL06	6" nozzle	2-3/16"	6-1/8"
5AFL08	8" nozzle	2-3/4"	8-1/8"
5AFL10	10" nozzle	3-1/4"	10-1/8"
5AFL12	12" nozzle	3-3/4"	12-1/8"
5AFL14	14" nozzle	4-3/8"	14-1/8"
5AFL16	16" nozzle	4-7/8"	16-1/8"
5AFL18	18" nozzle	5-3/8"	18-1/8"

5HR-HDL Hose Reel Grip Handle Assembly

- Black handle assembly with 1/2" NPSM inlet
- Attaches to 5SV-H high flow spray valve
- Includes washer



5HR-2SA Swivel Assembly

- 3/8" NPT swivel assembly with stainless steel inlet and brass swivel outlet



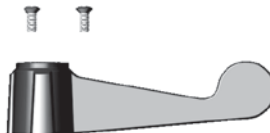
Ceramic Cartridge Assembly

- Quarter-turn
- Hot Cartridge: 013787-45
- Cold Cartridge: 013788-45



5-HDL-W 4" Wrist Action Handle Kit

- Includes one handle and two color coded screws (hot and cold)



5F-VF05 Vandal Resistant Non-Aerated Spray Device

- Water-saving 0.5 GPM flow
- 3/4-27UN female thread
- Can be substituted on any Equip faucet
- Includes vandal resistant key



5-HDL-L Lever Handle Kit

- Includes one handle and two color coded screws (hot and cold)



B-0425-M Deck Mount Inlet Kit

- 1/2" NPT on both ends of 2" long nipples (2)
- Includes lock nuts and lock washers



B-0230-K Wall Mount Inlet Kit

- 1/2" NPT close nipples, lock nuts and washers
- 1/2" NPT male and female short el
- Includes (2)

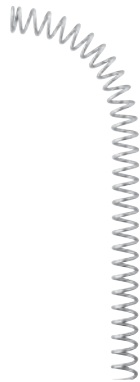


000369-40
Riser

- 3/8" NPT ends
- 18" long
- Pre-rinse riser



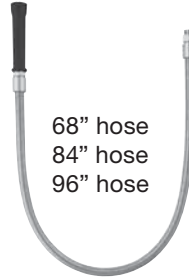
014068-45
Overhead Spring



5HSE44
Stainless Steel Hose

- 44" length
- Flexible stainless steel outer cover
- Rubber inner hose
- Includes (2) washers and grip handle
- Other hose lengths available:

- 5HSE68 68" hose
- 5HSE84 84" hose
- 5HSE96 96" hose



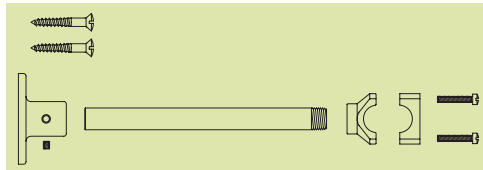
5HR-2HSE-35
Black Hose Assembly

- 35' black hose
- Max. pressure: 300 PSI
- Max. temp.: 176°F
- Stainless steel spring protector
- 3/8" NPT both ends
- Also available: 5HR-2HSE-50 50' black hose



013716-40
6" Wall Bracket

(shown, right)



5WG-1000-01
Water Gun

- With 3/4" garden hose female quick-disconnect, and 1/2" and 3/8" adapters



5SV
Spray Valve for All Pre-Rinse Units

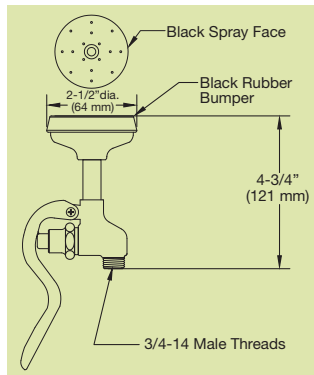
- 3/4-14 inlet
- EPAAct 2005 Compliant
- 1.42 GPM at 60 PSI
- Does **not** include handle
- Also available:

- 5SV-B Spray valve bonnet assembly
- SV-RK Spray valve repair kit (includes bumper ring, spray face and screw)



5SV-H
High Flow Spray Valve

- Not intended for warewashing
- Does **not** include handle
- EPAAct 2005 Non-compliant



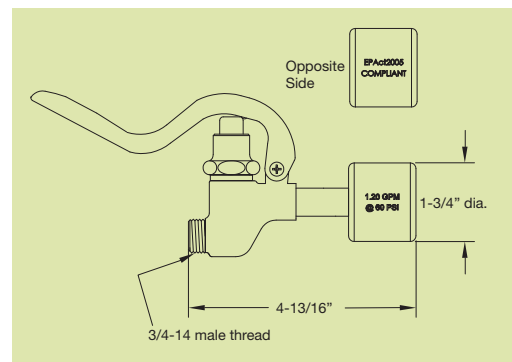
5SV-WH
Spray Valve, Handle and Ring

- Same as 5SV-H spray valve except includes handle and ring
- EPAAct 2005 Non-compliant



5SV-C
Low Flow Spray Valve for All Pre-Rinse Units

- 1.2 GPM at 60 PSI
- Does **not** include handle



STANDARD – Goosenecks/Nozzles

Swing Nozzles

- 3/4-27 Laminar outlet
- Available:
 - 5SP-18 18" swing nozzle
 - 5SP-16 16" swing nozzle
 - 5SP-14 14" swing nozzle
 - 5SP-12 12" swing nozzle
 - 5SP-10 10" swing nozzle
 - 5SP-08 8" swing nozzle
 - 5SP-06 6" swing nozzle



Certified to NSF/ANSI 61/9

**5SP-03
3" Rigid Gooseneck**

- 3/4-27 Laminar outlet
- 5" clearance
- 8-3/4" height



5SP-03

**5SP-05
Swivel Gooseneck**

- 3/4-27 Laminar outlet
- 5-3/4" clearance
- 11-1/16" height

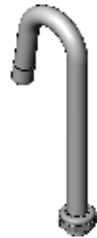


5SP-05

OPTIONS – Goosenecks/Nozzles

**5SP-03A
3" Swivel Gooseneck**

- 3/4-27 2.2 GPM aerator outlet
- 5-5/16" clearance
- 9-1/8" height



**5SP-08A
8" Swing Nozzle**

- 3/4-27 2.2 GPM aerator outlet
- 4-5/8" height



**5SP-05A
5 1/2" Swivel Gooseneck**

- 3/4-27 2.2 GPM aerator outlet
- 5-3/4" clearance
- 11-1/16" height



**5SP-10A
10" Swing Nozzle**

- 3/4-27 2.2 GPM aerator outlet
- 5-1/8" height



**5SP-06A
6" Swing Nozzle**

- 3/4-27 2.2 GPM aerator outlet
- 4-1/16" height



**5SP-12A
12" Swing Nozzle**

- 3/4-27 2.2 GPM aerator outlet
- 5-11/16" height



Certified to NSF/ANSI 61/9

J

Pet-Care Plumbing Products



T&S Brass Pet-Care Plumbing Specialty Products

For Grooming Pets and Cleaning/Sanitizing Cages, Kennels & Stables



RELIABILITY BUILT IN™

T&S Quality Pet-Care Plumbing Products



RINSE UNITS

Wash and Rinse Products



PG-4DREV Lightweight Aluminum Spray Unit

- 4" (102 mm) deck-mount faucet (B-0326-LN)
- 1/2" NPT female eccentric flanged inlets (00AA)
- Vacuum breaker outlet
- 9 ft. coiled hose and aluminum spray valve
- Lightweight spray valve for easy, all-day use
- Wall hook

PG-1DREV Same as PG-4DREV except single hole single temperature deck mount faucet with vacuum breaker

PG-8DREV Same as PG-4DREV except with 8" centers



PG-35AV-CH Coiled Hose and Spray Valve

- Lightweight aluminum handle with rubber grip and hold down clip
- 1/4" NPT male inlet
- Coiled polyurethane hose with maximum stretching length of 9 ft.

PG-35AV-CH01 Same as PG-35AV-CH except with 3/4" female garden hose inlet (PG-0001)

PG-35AV-CH02 Same as PG-35AV-CH except with 3/8" NPT female inlet (PG-0002)

PG-35AV-CH03 Same as PG-35AV-CH except with 1/2" NPT female inlet (PG-0003)

PG-35AV-CH05 Same as PG-35AV-CH except with 3/4" x 14 female inlet (052A)

Replacement Parts

Model #	Description
EB-10K	Repair Kit
013539-45	Replacement Hose
PG-35AV	Aluminum Valve



PG-8WREV Lightweight Aluminum Spray Unit

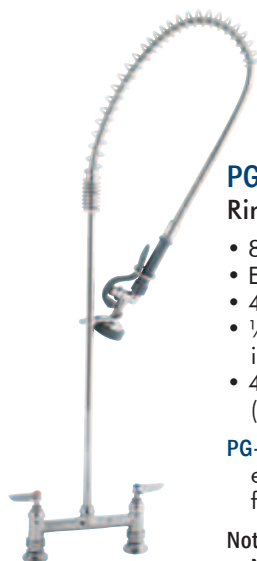
- 8" (203 mm) wall-mount faucet
- 1/2" NPT female eccentric flanged inlets (00AA)
- Vacuum breaker outlet
- 9 ft. coiled hose and aluminum spray valve
- Lightweight spray valve for easy, all-day use
- Wall hook



PG-8WSAV-08 Lightweight Aluminum Spray Unit

- 8" (203 mm) wall-mount faucet
- 1/2" NPT female eccentric flanged inlets (00AA)
- Vacuum breaker
- 9 ft. coiled hose and aluminum spray valve
- Swivel adapter
- Add-on faucet with 8" swing nozzle and stream regulator outlet
- Lightweight spray valve for easy, all-day use
- Wall hook

PG-1WSAV-06 Same as PG-8WSAV-08 except single hole wall-mount faucet with vacuum breaker, 9 ft. coiled hose and 6" swing nozzle



PG-0123 Overhead Wash and Rinse Unit

- 8" (203 mm) deck-mount faucet
- EB-0107 high flow blue spray valve
- 43" high
- 1/2" NPT female eccentric flanged inlets (00AA)
- 44" flexible stainless steel hose (B-0044-H)

PG-0123-B Same as PG-0123 except with wall bracket for support

Note: this model is EPA 2005 Non-Compliant



PG-0133 Overhead Wash and Rinse Unit

- 8" (203 mm) wall-mount faucet
- EB-0107 high flow blue spray valve
- 34 1/2" high
- 1/2" NPT female eccentric flanged inlets (00AA)
- 44" flexible stainless steel hose (B-0044-H)

PG-0133-B Same as PG-0133 except with wall bracket for support

Note: this model is EPA 2005 Non-Compliant



— Our Pedigree is Your Quality Assurance



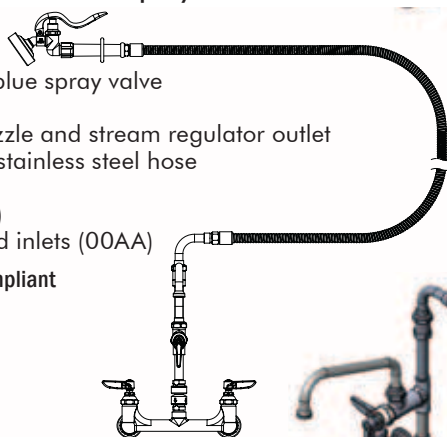
RINSE UNITS

Wash and Rinse Products

P3-8WESV-08M Sink Faucet with Hose Spray

- 8" (203 mm) wall-mount faucet
- EB-0107-035 high flow angled blue spray valve
- Vacuum breaker
- Add-on faucet with 8" swing nozzle and stream regulator outlet
- Swivel adapter with 96" flexible stainless steel hose (EB-0096-H)
- Hanger hook assembly (B-0166)
- 1/2" NPT female eccentric flanged inlets (00AA)

Note: this model is EPAAct 2005 Non-Compliant



View of faucet body and add-on faucet with swivel adapter assembly



PG-2187 Overhead Wash and Rinse Unit

- 8" (203 mm) wall-mount faucet
- 46¹³/₁₆" high
- EB-0107 high flow blue spray valve
- Add-on faucet with 14" swing nozzle and stream regulator outlet
- 1/2" NPT female eccentric flanged inlets
- Wall bracket for support
- 72" (1829 mm) PVC hose

Note: this model is EPAAct 2005 Non-Compliant



B-1171 Sink Faucet with Side Spray

- 4" (102 mm) deck-mount faucet
- Side spray with 4 ft. reinforced vinyl hose and hose guide
- 8" (203 mm) swing nozzle
- 1/2" NPT male inlets
- Built-in diverter

B-1171-07 Same as B-1171 except with 7 ft. hose

B-1172 Same as B-1171 except with 8" centers

B-1172-07 Same as B-1172 except with 7 ft. hose

B-2730 Swivel Base Faucet with Side Spray

- 9" spout
- Single lever handle and ceramic cartridge
- Flexible supply hoses
- 4 ft. vinyl hose with hose guide
- Deck plate

B-2730-LH Same as B-2730 except with 6" long handle

B-2730-07 Same as B-2730 except with 7 ft. hose

B-2743 Single Lever Faucet with Side Spray (right)

- Single hole deck-mount faucet
- Swivel gooseneck assembly with aerator
- Two 17" flexible supply hoses with 1/2" NPSM compression fittings
- Integral diverter for water flow through side spray or gooseneck



For more than half a century, **T&S Brass** has been setting the standard of excellence in the commercial plumbing business. Today, we manufacture a full line of quality grooming and pet-care plumbing products to make cleaning – and cleaning up after – even your toughest customers easy, safe, thorough and fast.

T&S pet-care products offer a wide range of tools and accessories designed to be versatile and withstand heavy use in kennels, grooming stations, veterinary clinics, boarding facilities and stables. **T&S** quality pet-care products are certified, always in stock and available worldwide. Plus, only T&S can get your order to you next day thanks to our exclusive **T&S Brass 24-Hour Quick Ship** program.

T&S delivers:

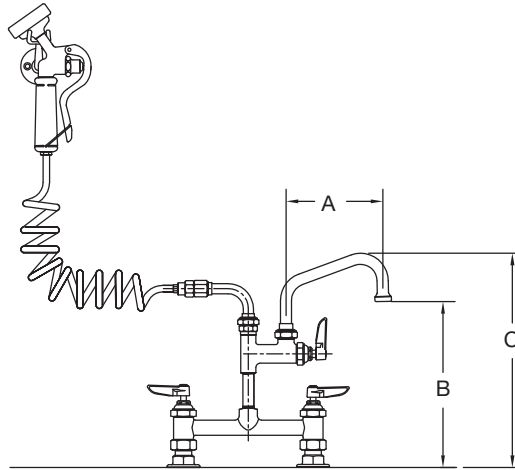
- Heavy-duty, commercial-grade products
- A wide range of features and options including sanitizing and interior/exterior capabilities
- Durable, corrosion-resistant stainless steel construction
- Easy to use, fully adjustable products
- Custom designed systems to meet your individual needs





PG-8DSAN-XX Pet Grooming Station

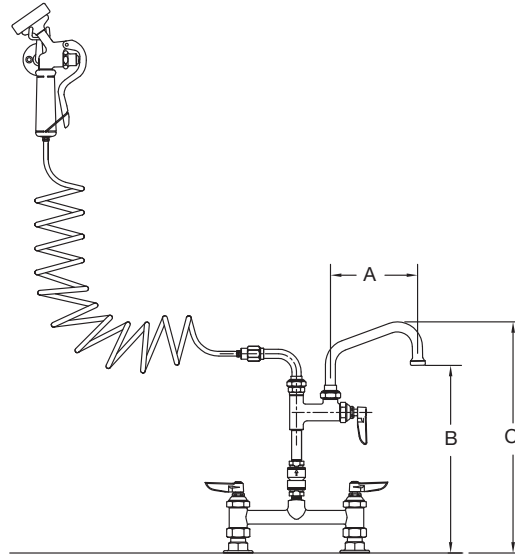
- 8" (203 mm) deck-mount faucet
- 1/2" NPT female eccentric flanged inlets (00AA)
- 034A swivel adapter
- 9 ft. coiled hose and aluminum spray valve
- Lightweight spray valve for easy, all-day use
- Add-on faucet with swing nozzle and stream regulator outlet



Model No.	"A" Nozzle Spread	"B" Clearance	"C" Height
PG-8DSAN-06	6" (152 mm)	10-1/4" (260 mm)	13-1/4" (336 mm)
PG-8DSAN-08	8" (203 mm)	10-9/16" (268 mm)	13-5/16" (338 mm)
PG-8DSAN-10	10" (254 mm)	11-1/4" (285 mm)	14" (356 mm)
PG-8DSAN-12	12" (305 mm)	11-3/8" (289 mm)	14-1/8" (359 mm)
PG-8DSAN-14	14" (356 mm)	12-5/8" (320 mm)	15-3/8" (391 mm)
PG-8DSAN-16	16" (406 mm)	13-7/16" (341 mm)	16-3/16" (411 mm)
PG-8DSAN-18	18" (457 mm)	14" (356 mm)	16-3/4" (426 mm)

PG-8DSAV-XX Pet Grooming Station

- 8" (203 mm) deck-mount faucet
- 1/2" NPT female eccentric flanged inlets (00AA)
- 034A swivel adapter
- Vacuum breaker
- 9 ft. coiled hose and aluminum spray valve
- Lightweight spray valve for easy, all-day use
- Add-on faucet with swing nozzle and stream regulator outlet

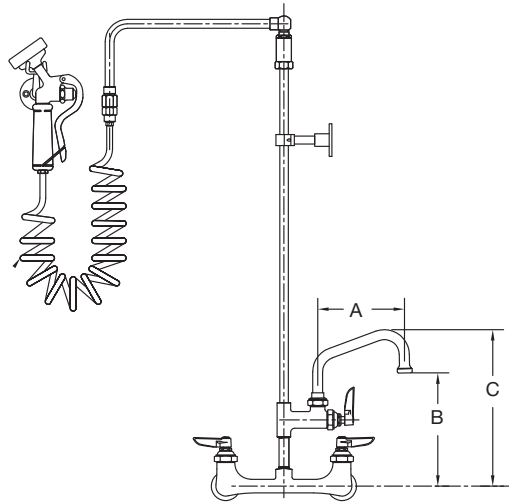


Model No.	"A" Nozzle Spread	"B" Clearance	"C" Height
PG-8DSAV-06	6" (152 mm)	12-7/8" (327 mm)	15-7/8" (403 mm)
PG-8DSAV-08	8" (203 mm)	13-3/16" (335 mm)	15-15/16" (405 mm)
PG-8DSAV-10	10" (254 mm)	13-7/8" (352 mm)	16-5/8" (422 mm)
PG-8DSAV-12	12" (305 mm)	14" (356 mm)	16-3/4" (426 mm)
PG-8DSAV-14	14" (356 mm)	15-1/4" (387 mm)	18" (457 mm)
PG-8DSAV-16	16" (406 mm)	16-1/16" (408 mm)	18-13/16" (478 mm)
PG-8DSAV-18	18" (457 mm)	16-5/8" (422 mm)	19-3/8" (492 mm)



PG-8WOAN-XX Pet Grooming Station

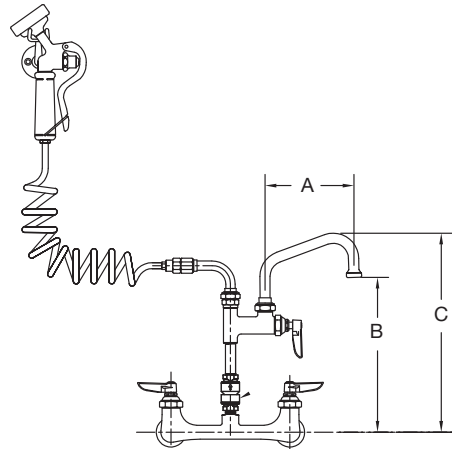
- 8" (203 mm) wall-mount faucet
- 1/2" NPT female eccentric flanged inlets (00AA)
- 12" (305 mm) overhead arm with swivel
- 9 ft. coiled hose and aluminum spray valve
- Lightweight spray valve for easy, all-day use
- 2-3/8" wall bracket (B-0109-07)
- Add-on faucet with swing nozzle and stream regulator outlet



Model No.	"A" Nozzle Spread	"B" Clearance	"C" Height
PG-8WOAN-06	6" (152 mm)	7-13/16" (198 mm)	10-3/4" (274 mm)
PG-8WOAN-08	8" (203 mm)	8-1/16" (206 mm)	10-7/8" (276 mm)
PG-8WOAN-10	10" (254 mm)	8-13/16" (223 mm)	11-9/16" (293 mm)
PG-8WOAN-12	12" (305 mm)	8-15/16" (226 mm)	11-11/16" (297 mm)
PG-8WOAN-14	14" (356 mm)	10-3/16" (258 mm)	12-15/16" (328 mm)
PG-8WOAN-16	16" (406 mm)	11" (279 mm)	13-3/4" (349 mm)
PG-8WOAN-18	18" (457 mm)	11-9/16" (293 mm)	14-5/16" (363 mm)

PG-8WSAV-XX Pet Grooming Station

- 8" (203 mm) wall-mount faucet
- 1/2" NPT female eccentric flanged inlets (00AA)
- Vacuum breaker
- 034A swivel adapter
- 9 ft. coiled hose and aluminum spray valve
- Lightweight spray valve for easy, all-day use
- Wall hook
- Add-on faucet with swing nozzle and stream regulator outlet



Model No.	"A" Nozzle Spread	"B" Clearance	"C" Height
PG-8WSAV-06	6" (152 mm)	10-7/16" (265 mm)	13-3/8" (340 mm)
PG-8WSAV-08	8" (203 mm)	10-3/4" (272 mm)	13-1/2" (343 mm)
PG-8WSAV-10	10" (254 mm)	11-7/16" (290 mm)	14-3/16" (360 mm)
PG-8WSAV-12	12" (305 mm)	11-9/16" (293 mm)	14-5/16" (363 mm)
PG-8WSAV-14	14" (356 mm)	12-13/16" (325 mm)	15-9/16" (395 mm)
PG-8WSAV-16	16" (406 mm)	13-5/8" (346 mm)	16-3/8" (416 mm)
PG-8WSAV-18	18" (457 mm)	14-3/16" (360 mm)	16-15/16" (430 mm)



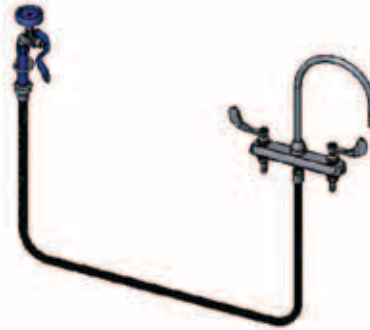
RINSE UNITS

Wash and Rinse Products



B-1174 Deck-Mount Faucet with Spray

- 8" (203 mm) deck-mount faucet
- Side spray with 4 ft. reinforced vinyl hose with hose guide
- 8³/₄" swivel gooseneck with stream regulator outlet
- Lever handles
- 1/2" NPT male inlets
- Includes (150A) tailpieces and nuts for 1/4" NPT connections



B-1176 Deck-Mount Faucet with 7' Spray

- 8" (203 mm) deck-mount faucet
- EB-0107 high flow blue spray valve
- EB-0084-H flexible stainless steel hose (under counter) with hose deck flange
- 8¹³/₁₆" swivel gooseneck assembly with aerator outlet (B-0199-01)
- Wrist action handles
- 1/2" NPT male inlets
- Includes (150A) tailpieces and nuts for 1/4" NPT connections

Note: this model is EPAct 2005 Non-Compliant

B-1146-01 Wall-Mount Faucet

- 4" (102 mm) centers wall mounted faucet
- 2¹³/₁₆" swivel gooseneck assembly with stream regulator outlet (131X)
- Lever handles
- 1/2" NPT male inlets
- Includes (150A) tailpieces and nuts for 1/4" NPT connections



B-1146-04 Wall-Mount Faucet

- 4" (102 mm) wall-mount faucet
- 5³/₄" swivel gooseneck assembly (133X-AER) with 2.2 GPM aerator (B-0199-01)
- 4" wrist-action handles
- 1/2" NPT male inlets
- Includes (150A) tailpieces and nuts for 1/4" NPT connections



HANDS-FREE FAUCETS

Equip Electronic Faucets



5EF-1D-DG Deck-Mount Electronic Faucet

- Single hole deck-mount sensor faucet
- 5¹¹/₁₆" rigid gooseneck with vandal-resistant aerator
- Hands-free operation



5EF-1D-DS Deck-Mount Electronic Faucet

- Single hole deck-mount sensor faucet
- 4⁹/₁₆" cast spout with vandal-resistant aerator
- Hands-free operation



5EF-1D-WG Wall-Mount Electronic Faucet

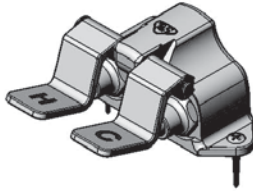
- Single hole wall-mount sensor faucet
- 6³/₈" rigid/swivel gooseneck with vandal-resistant aerator
- Hands-free operation

These electronic faucets include:

- AC/DC control module for ease of installation
- Temperature control mixing valve
- Inlet flex lines



HANDS-FREE FAUCETS Other Hands-Free Assemblies



B-0502 Double Pedal Valve, Floor-Mount

- Inlets on 27¹/₁₆" centers
- 1" (25 mm) from floor to center of inlets
- 1/2" NPT female inlets and outlets



B-0521 Rigid Gooseneck Spout

- Deck-mount 5⁵/₁₆" rigid gooseneck
- B-0199-02 aerator (not shown)
- 10¹¹/₁₆" high from deck to top of gooseneck
- Includes (150A) tailpiece and nut for 1/4" NPT connection



B-0527 Swivel Gooseneck Spout

- Wall-mount with 2" dia. adjustable flange
- 3/8" NPT female inlet
- 6¹/₈" swivel gooseneck (133X-AER)
- B-0199-01 aerator (not shown)



HOSE REELS Epoxy Coated Steel Hose Reels

- Constructed of heavy-duty painted steel
- Long life and easy maintenance

These hose reels include:

- EB-0107 high flow blue spray valve
- 3/8" NPT female inlet
- Adjustable hose bumper
- Multi-fit bracket for wall, ceiling or under counter mounting
- Ratcheting system holds the length of hose until a slight tug; retracts automatically

Installation Note:

If mixing valve is used, check valves should be installed to prevent crossflow of water

B-7242-01 Hose Reel Open Model, 50 ft. Hose

- Open painted steel hose reel
- 50 ft. (15.25 m) of 3/8" I.D. hose

Note: this model is EPAAct 2005 Non-Compliant

B-7232-01 Hose Reel Open Model, 35 ft. Hose

- Open painted steel hose reel
- 35 ft. (10.7 m) of 3/8" I.D. hose

Note: this model is EPAAct 2005 Non-Compliant

B-7212-01 Hose Reel Open Model, 15 ft. Hose

- Open painted steel hose reel
- 15 ft. (4.5 m) of 3/8" I.D. hose

Note: this model is EPAAct 2005 Non-Compliant



HOSE REELS Stainless Steel Hose Reels

- Constructed of heavy-duty, corrosion-resistant stainless steel
- Long life and easy maintenance

These hose reels include:

- EB-0107 high flow blue spray valve
- 3/8" NPT female inlet
- Adjustable hose bumper
- Multi-fit bracket for wall, ceiling or under counter mounting
- Ratcheting system holds the length of hose until a slight tug; retracts automatically

Installation Note:

If mixing valve is used, check valves should be installed to prevent crossflow of water



B-7142-01 Hose Reel Open Model, 50 ft. Hose

- Open stainless steel hose reel
- 50 ft. (15.25 m) of 3/8" I.D. hose

Note: this model is EPAAct 2005 Non-Compliant

B-7132-01 Hose Reel Open Model, 35 ft. Hose

- Open stainless steel hose reel
- 35 ft. (10.7 m) of 3/8" I.D. hose

Note: this model is EPAAct 2005 Non-Compliant

B-7112-01 Hose Reel Open Model, 15 ft. Hose

- Open stainless steel hose reel
- 15 ft. (4.5 m) of 3/8" I.D. hose
- EB-0107 blue spray valve

Note: this model is EPAAct 2005 Non-Compliant



HOSE REELS Equip Hose Reels

- Constructed of heavy-duty, corrosion-resistant black epoxy coated steel
- Long life and easy maintenance

These Equip hose reels include:

- 5SV-WH black high flow spray valve (not shown)
- 3/8" I.D. hose
- 3/8-18 NPT female inlet on reel
- 3/8-18 NPT male outlet on hose
- Hose is rated to 300 PSI with a maximum temperature of 176°F

Installation Note:

If mixing valve is used, check valves should be installed to prevent crossflow of water



5HR-232-01-GH Equip Hose Reel Open Model, 35 ft. Hose

- Open epoxy coated steel hose reel
- 35 ft. (10.7 m) of 3/8" I.D. hose
- Includes 1/2" male x 3/8" female bushing
- 5SV-WH black high flow spray valve (not shown)
- 3 ft. connector hose with garden hose adapter for optional connection to garden hose threaded hose bibbs

5HR-232-GH Same as 5HR-232-01-GH except without 5SV-WH black high flow spray valve

5HR-242-01-GH Equip Hose Reel Open Model, 50 ft. Hose

- Open epoxy coated steel hose reel
- 50 ft. (15.25 m) of 3/8" I.D. hose
- 5SV-WH black high flow spray valve (not shown)
- 3 ft. connector hose with garden hose adapter for optional connection to garden hose threaded hose bibbs



HOSE REEL ACCESSORIES Spray Valves and Water Guns



MV-2522-24 Front Trigger Water Gun

- Heavy-duty stainless steel construction
- Blue rubber cover
- Adjustable stream from solid to soft spray
- Excellent for cleaning jobs
- Controls water supply easily and efficiently
- Automatic shut-off conserves water
- Rated up to 200 PSI
- 1/2" NPT male x 1/2" hose barb (included)
- 1/2" NPT female inlet
- 5/16" orifice



5WG-1000-01 Equip Water Gun (left)

- Water gun with quick-disconnect and 1/2" NPSM and 3/8" NPT female adapters

EB-2322 Extended Spray Wand

- Spray valve with self-closing squeeze valve and extension for 21 3/4" total length
- 3/8" NPT female inlet
- Blue handle grip with hold-down ring
- Removable spray head



EB-0107 High Flow Spray Valve

- Blue spray valve
- Connects directly to hose grip handle
- Hold-down ring for constant water flow
- Shuts off when handle is released



5SV-WH Equip High Flow Spray Valve

- For use on all 5HR-series hose reels
- 3/4-14 male inlet
- Includes spray valve and handle (not shown)



EB-0107-035 High Flow 35° Angled Spray Valve

- Blue spray valve with 35° spray head
- Connects directly to hose grip handle
- Hold-down ring for constant water flow
- Shuts off when handle is released



MV-3516-25 Aluminum Rear Trigger Water Gun

- Aluminum water gun with 5/16" flow orifice
- Blue rubber cover
- Includes 1/2" NPT x 3/8" NPT female adapter (not shown)



HOSE REELS

Hose Reel Brackets



G016636-45 Swing Bracket

- Epoxy coated steel
- Fits all T&S 3/8" x 15', 30' and 35' epoxy coated hose reels
- Mounting hardware not included

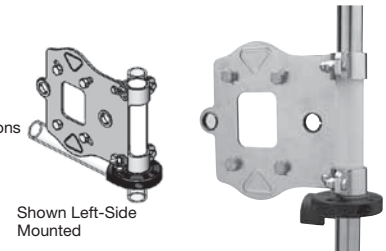
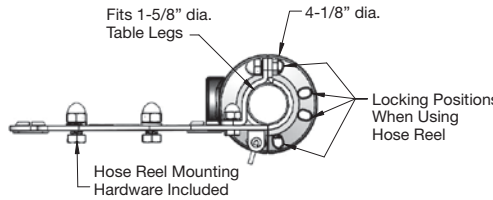


G016637-45 Swing Bracket

- Epoxy coated steel
- Fits all T&S 3/8" x 50' and all 1/2" hose reels
- Mounting hardware not included

G018477-45 Table Leg Bracket

- Stainless steel hose reel swing bracket
- Fits all T&S 3/8" and 1/2" hose reels
- Spring loaded latch
- Can be mounted as left- or right-side



OTHER MODELS

And Accessories



B-0665-BSTR Service Sink Faucet with Top Wall Brace

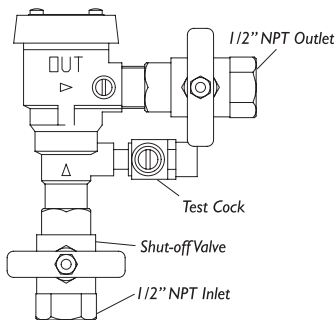
- 8" (203 mm) wall-mount faucet
- Rough chrome plated finish
- Built in screwdriver stops
- Vacuum breaker nozzle with 3/4" garden hose thread and pail hook
- 2 11/16" clearance form wall to center line of faucet
- 9 1/8" from wall to center of outlet
- 1/2" NPT female eccentric flanged inlets (00AA)
- Includes spring checks



MV-0771-12C Mixing Valve

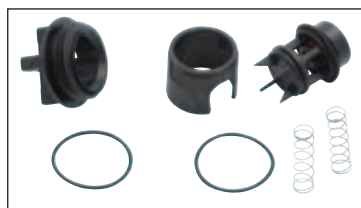
- 3/4" NPT mixing valve
- 3/4" globe valves with color coded handles
- In-line check valves
- 3/4" unions
- Rough plated chrome

MV-0771-12N Same as MV-0771-12C except unplated brass



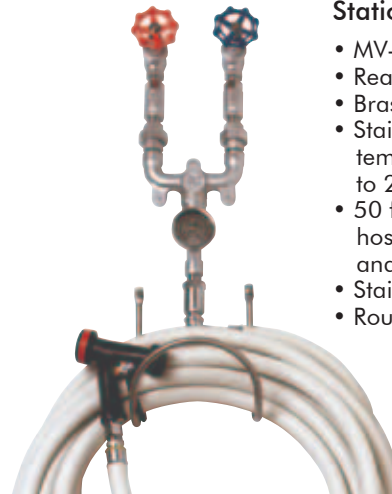
B-0963 Continuous Pressure Vacuum Breaker Assembly

- Designed for continuous pressure
- Furnished with quarter-turn ball valves
- 1/2" NPT inlet and outlet
- 001359-40 adapters available for 3/8" NPT
- Order **B-0963-RK** repair kit (shown below)



MV-0771-12CW Washdown Station Assembly

- MV-0771 3/4" mixing valve
- Rear trigger water gun
- Brass thermometer tee
- Stainless steel thermometer, temperature range from 0°F to 200°F
- 50 ft. (15.25 m) high pressure hose with brass couplings and swivel fittings
- Stainless steel hose rack
- Rough plated chrome



MV-0771-12NW Same as MV-0771-12CW except unplated brass



EYEWASH STATIONS

Safety Equipment Models and Accessories

All Eyewash Stations include:

- Universal emergency eyewash sign
- "Test This Week" tag to record weekly testing record of equipment



EW-7360B Wall Mounted Eye/Face Wash

- ABS green plastic eyewash head with laminar flow
- Integral flip top dust cover
- Round stainless steel receptor with chrome plated brass stay open ball valve, 1/2" NPT inlet, 1/4" NPT waste



EW-7611 Countertop Mounted Pull Down Eye/Face Wash Unit

- Polished chrome plated brass eye/face wash swings forward to activate
- ABS green plastic head with laminar flow
- Integral flip top dust cover
- Can be mounted on either right or left side of sink
- Supply: 1/2" O.D. slip joint

EW-8904 Counter Mounted Laboratory Eye/Face Wash Unit

- Countertop mounted eye/face and body spray
- Head positioned at 45° angle
- Stay open squeeze lever valve
- 8 ft. swivel hose with 1/2" NPT inlet and deck flange that incorporates guiding key slot for proper positioning of spray



EW-7501 Nine-Gallon Portable Gravity Fed Eyewash Unit

- Nine-gallon capacity, high-density green polyethylene tank provides full pattern flushing at .4 GPM for a full 15 minutes
- Fold down eyewash arm has positive upper limit stop that covers and protects spray outlets when not in use

- Wide-fill opening for easy inspection, cleaning and filling
- ABS plastic eyewash heads with tripod anchor, stainless steel socket head cap screw and rubber gasket
- Includes wall bracket

- Eyewash preservative to permit storage of water for up to three months (sold separately; see EW-9082 bottle, right).



Note: Unit must be wall hung

EW-7612 Swing Away Eyewash Unit

- Countertop mounted polished chrome plated brass eye/face wash unit with swing-away feature to activate
- Mounted on right side of sink
- Polyethylene dust cover
- Supply: 1/2" O.D. slip joint



EW-7612LH Swing Away Eyewash Unit

- Same as EW-7612 except mounted on left side of sink



Our toll-free number, 1-800-476-4103, connects you to T&S Customer Service representatives. You can also access information about these and other T&S products on our website, www.tsbrass.com

NOTE:

A comprehensive *Index By Model or Part Number and Page* can be found in the **G-11 General Product Catalog Master Index** section (IN).

? Can't find the T&S product you're looking for? Please visit www.tsbrass.com for a complete product listing.

A MORE EFFECTIVE APPROACH TO
FOOD WASTE



ENVIRO  PURE
SYSTEMS A T&S COMPANY

INTRODUCING A REVOLUTIONARY SOLUTION FOR ORGANIC FOOD WASTE DISPOSAL.



Now there's a way to transform 100% of your facility's organic food waste into environmentally safe grey water in 24 hours or less — all with no odors, no sludge buildup and no required system cleanouts. EnviroPure food waste disposal systems provide rapid, on-site breakdown and removal of food waste through a combination of continuous mechanical processing, tightly controlled aerobic decomposition and a proprietary micronutrient additive.

With EnviroPure, you get a custom-designed, fully organic and easy-to-operate system that fits seamlessly into any supermarket, commercial or industrial kitchen — delivering worry-free disposal for years to come.



TAILORED TO YOUR UNIQUE OPERATION.

From overflowing trash bins to unpleasant odors and pest infestations, facilities with high volumes of food waste experience a wide range of inconvenient and potentially costly issues. EnviroPure makes food waste disposal more efficient and more sanitary while also saving labor and reducing the risk of employee injury.



DEVELOPED TO REDUCE YOUR CARBON FOOTPRINT.



Of all the garbage that ends up in our landfills, organic waste represents the largest portion — nearly 30%. EnviroPure not only helps increase your diversion rate — it helps take polluting waste management trucks off the roads.



DESIGNED TO ELIMINATE HAULING COSTS.

In North America alone, the economic impact of picking up, transporting and disposing of food waste tops \$1.2 billion annually. EnviroPure provides immediate relief to facilities by cutting out these costly pickup and hauling fees while delivering an average ROI of just two years or less.



FOR YOUR FACILITY



FROM CAFETERIAS TO CRUISE SHIPS. AND EVERYTHING IN BETWEEN.

EnviroPure is designed for easy integration — and that's critical when you need a food waste disposal solution that fits seamlessly into your facility's space and workflow. Each unit is custom-configured with your operation in mind, allowing you to choose the right feed option and capacity for your needs. It's versatile enough to break down vegetables, fruits, meat, fish, poultry and dairy products — and even powerful enough to break down bones, shells and pits.

No matter the size or scope of your operation, EnviroPure is ideal for any commercial or institutional facility that produces high volumes of organic food waste.

FACILITIES THAT CAN BENEFIT FROM USING ENVIROPURE

- Hotels and resorts
- Hospitals
- Nursing and retirement homes
- Universities and colleges
- Corporate and factory cafeterias
- Supermarkets
- Banquet facilities
- Casinos
- Cruise ships
- Prisons
- Stadiums and sporting venues
- Food processing plants

Capacity Ranges

EnviroPure's processing capacity ranges from 120–14,000 pounds per day (depending on unit size), making it the ideal food waste disposal solution for a wide range of facilities.

120–14,000
lbs. per day

Automatic Operation

With intuitive controls and automatic operation, employees can simply turn on the EnviroPure system and add food waste through either continuous or batch feed — minimizing the risk of injury from repeated, strenuous trips to the dumpster.

Remote Feed Options

EnviroPure is available with remote feed options, allowing it to be used with almost any grinding system found in today's commercial kitchens. This space-saving configuration keeps the work area free and clear, as the actual disposal system can be located in another room or on another floor altogether.





INCREASE YOUR DIVERSION RATE.
REDUCE YOUR CARBON FOOTPRINT.

Each day, institutional and commercial kitchens across North America generate more than 120 million pounds of food waste — totaling more than 70 billion pounds annually. So where does all that food waste end up? According to the EPA, more than 97% of it goes straight to the landfill, where it contributes to the production of methane gas.

In addition, the process of transporting all that food waste only compounds the problem even more. The emissions from garbage trucks generate countless volumes of greenhouse gasses through the burning of fossil fuels.

With EnviroPure, your facility can completely eliminate landfill-bound organic food waste once and for all. It's the clear choice for meeting your company's immediate sustainability goals as well as Zero Waste Zone requirements, which are becoming more common in a growing number of major cities each year.



EnviroPure systems are custom-configured to your facility's operational workflow.

Optional Recirculation Feature

EnviroPure's optional ozone recirculation feature reuses naturally extracted water from food waste, eliminating the need to add fresh water from your facility's supply after installation.

The result is an average savings of up to 400 gallons of water per day (based on a typical grinding schedule of 10 times daily).



Meeting Today's Standards

The grey water effluent byproduct released by EnviroPure meets today's latest standards for disposal into municipal wastewater sewer systems, with safe levels of BODs, FOGs and TSS.

WASTE WATER DISCHARGE CRITERIA	Municipal Limits	EnviroPure Effluent
	mg/L	mg/L
BODs	300-500	25-30
FOGs	100-150	0-10
TSS	300-500	25-35

An All-Natural Process

EnviroPure's proprietary BioMix™ compound is automatically added to the vessel during breakdown, helping accelerate the food waste decomposition process. But unlike non-organic solutions found in other systems, it doesn't promote coagulation of effluent that can clog sewer lines. Its all-natural, non-toxic combination of vitamins, minerals and amino acids is 100% environmentally safe.



FOR YOUR BOTTOM LINE



REAL SAVINGS. NOW.

When you add up all the ways EnviroPure helps you save — including an ROI of two years or less — it's no surprise that facilities everywhere are taking advantage of this revolutionary system.

With fewer trips to the dumpster, you save valuable time and labor while minimizing the risk of injury to employees.

With no need to store accumulating food waste between pickups, you save space while keeping your facility more sanitary.

And because EnviroPure is designed to reduce your facility's impact on the environment, you save water and energy compared with other food waste disposal solutions while also eliminating harmful methane gas emissions created when organic waste ends up in the landfill.

2
YEAR
ROI
OR LESS



EnviroPure systems can handle all types of food waste, including bones, shells and pits.

Save Thousands Annually

The cost of sending your facility's food waste to the landfill can be staggering. In fact, the total impact on your bottom line can top nearly \$200 per ton when you factor in tipping fees, fuel surcharges, bin rentals and taxes. By eliminating those pickup and hauling costs, EnviroPure can save the typical facility tens of thousands of dollars annually.

HAULING FEE
TIPPING FEES
PICKUP CHARGE
FUEL SURCHARGES
LANDFILL TONNAGE FEE
ENVIRONMENTAL SURCHARGE



HOW DOES ENVIROPURE WORK?



1

EnviroPure's efficient disposal process begins the moment food waste enters the system, beginning with a mechanical breakdown of the waste via grinding and pulverizing. This increases the surface area of the waste, helping accelerate decomposition.



2

Once the food waste is broken down into significantly smaller pieces, it enters the vessel where a process similar to the combination of digestion and wastewater treatment begins. Because most of the water used comes from the food itself, EnviroPure requires only a very limited amount of additional water from your facility's supply — saving resources and money.



3

As the treatment process continues, EnviroPure periodically adds the BioMix micronutrient solution, providing for a more rapid breakdown of the food waste.



4

After stirring and settling, most of the food waste particles are small enough to pass through EnviroPure's self-cleaning filter system. If any larger particles remain, they are held back for further processing before passing through. The resulting effluent then exits the system as environmentally safe grey water.



MONITOR THE PROCESS REMOTELY

With EnviroPure's remote monitoring capabilities, staff can easily troubleshoot and keep track of working components, as well as the level of BioMix in the system, the amount of food waste processed and even the calculated carbon footprint reduction for your facility — all without physically being at the unit.





SPECIFICATIONS

All EnviroPure units are custom-manufactured to your facility's exact needs and are available in a range of capacities, along with optional additional specifications (based on type of food waste, volume and location).

INSTALLATION REQUIREMENTS

- 220 volt 3-phase power with cutoff switch (within 6 ft/2 m of installation location)
- Access to tempered water supply (within 10 ft/3 m of installation location)
- Access to drain or waste water hook-up within 15 ft/5 m of installation location
- Minimum 12 in/30 cm clearance on two sides of system
- Optional indoor/outdoor installation (may require additional insulation depending on location)
- Custom feeding systems, loading chutes and lifter configurations are available



iSeries

The iSeries from EnviroPure is ideal for smaller facilities, featuring a 6" sink feed and a traditional disposal-style grinder.

120i • 240i • 360i • 480i • 600i • 720i • 1000i • 1500i • 2000i



GT Series

The GT Series from EnviroPure uses a shredder-type grinder, which allows it to handle very large volumes of food waste. In fact, the GT Series can process a 32-gallon container of food waste at one time.

240GT • 360GT • 480GT • 600GT • 720GT • 1000GT
1500GT • 2000GT • 3000GT

SYSTEM NAME	LBS per day	MEALS per day	WATER gal/hr	GRINDER style
iSeries	120-2000	375-6000	1.1-15.8	sink
GT Series	240-3000	750-9000	2.0-19.0	bulk

ABOUT ENVIROPURE SYSTEMS

As a T&S Brass company, EnviroPure is building on more than 60 years of trusted foodservice innovation — a legacy strengthened by T&S' continuing focus on water and energy conservation. Every EnviroPure food waste disposal system is proudly made in America at the T&S Brass manufacturing facility in South Carolina.



IN G-11 Master Index

ACS Accessories



A Pre-Rinse Units



B Pot, Kettle and Glass Fillers



C Faucets and Components



CP ChekPoint™ Electronic Faucets



D Institutional, Medical and Lab Products



E Washdown and Clean-up Solutions



F Safe-T-Link Appliance Connectors



G Part Kits



H Emergency Safety Equipment by Haws



I Equip Plumbing Products



J Pet-Care Plumbing Products



K EnviroPure Systems

ENVIROPURE
SYSTEMS
A T&S COMPANY



RELIABILITY BUILT IN™



Model No.	Section & Page	Model No.	Section & Page	Model No.	Section & Page	Model No.	Section & Page
001AS	A24	001014-45	G3	002521-45AM	ACS14	005959-40	ACS10, 12
004R	A9, 12, 28, 34; B18	001019-45	G3	002521-45K	ACS14	005959-40QT	ACS10, 12
000059-40	G8	001022-45	ACS13; G5-7	002521-45K-VR	ACS14	005960-40	ACS10, 12
000078-45	G8	001040-45	G3, 4, 5, 9	002534-25	ACS20	005960-40QT	ACS10, 12
000176-40	B17	001042-45	ACS13; G5	002535-25	ACS20	005963-40	A35, 37
000357-40	ACS20	001047-45	ACS13; G6	002584-25	ACS19	005969-40	A39
000358-40	ACS20; A44; G3	001062-45	G3; G10	002601-45	ACS13; G5-7	006009-40	ACS10, 12
000361-40	ACS20	001065-45	G3	002659-45	A47; G4	006009-40QT	ACS10, 12
000363-40	ACS20	001068-45	G3	002662-40	A47	006010-40	ACS10, 12
000369-40	ACS20; A28, 34; B11; I27	001069-45	G7	002709-40	ACS11, 13	006010-40QT	ACS10, 12
000372-40	ACS20; A9, 12, 28, 34	001074-45	G3, 5-7	002710-40	ACS11, 13	006101-45	B4-6; D37
000373-40	A28	001075-45	ACS13; G5	002711-40	A9, 12; ACS10, 12	006186-40	ACS3
000376-40	ACS20, 27	001088-45	ACS13; G5	002712-40	A9, 12; ACS10, 12	006477-40	ACS11, 13
000377-40	ACS27	001092-45	ACS13; G5, 6	002713-40	ACS10, 12	006478-40	ACS11, 13
000544-25	ACS19	001094-45	G10	002714-40	ACS10, 12	006481-40	ACS13
000545-25	ACS19	001098-45	ACS13; G5, 7	002721-45	ACS13; G5	006482-40	ACS13; A34; B18
000546-25	ACS19	001100-45	G3, 4, 5, 9, 10	002726-45	ACS13; G5, 6	006557-40	G7
000549-25	ACS19	001120-45	A46, 47	002781-40	ACS3	006678-45	B10
000550-25	ACS19	001121-45	A46; G3	002824-40	A26, 28, 31	006895-20	ACS19
000552-25	ACS19, 24	001136-45	ACS13; G6-8	002829-40	A28, 31, 41	007861-45	A46; G3
000554-25	ACS19	001145-45	G10	002832-40	A28, 31, 32, 39	008963-40	A25
000555-25	A24	001191-45	G8	002837-40	A24	008978-40	C33; D19
000590-25	B14, 17	001194-45	ACS14; G8	002840-40CV	A34; B18	009002-25	G7
000592-25	B14, 17	001326-40	ACS15	002848-40	ACS6; B10, 15, 17	009194-25	G7
000610-25	D39	001327-40	ACS15	002850-40	B17	009195-25	G7
000685-20	ACS13	001328-40	ACS15	002851-40	B9, 13, 16	009267-45	G7
000718-25	ACS13; G5	001355-40	ACS19	002852-40	B16, 17	009268-25	G7
000718-45	G6	001357-40	ACS19	002856-40	A46, 47; B16; G3	009286-40	ACS11, 13
000763-20	G6	001359-40	ACS19; J8	002857-40	A35, 37	009287-40	ACS11, 13
000764-20	G3, 5	001466-20	ACS13; G7, 8	002858-40	A35	009306-20	G3, 4, 9
000788-20	ACS13; G5-7	001479-45	ACS13; G5, 6, 7	002861-40	D50, 51	009331-41	ACS14
000789-20	ACS13; G5-7	001621-20	G7	002864-40	B9	009332-41	ACS14
000794-25	ACS13	001624-25	ACS19	002865-40	D50, 51	009391-45	G7
000800-25	ACS13; G6	001625-45	G7	002866-40	B9	009423-40	ACS11, 13
000801-25	ACS13; G6	001636-45	ACS13, 15	002868-40	B12	009423-40QT	ACS11, 13
000811-25	ACS13; G5, 6	001636-45AM	ACS15	002872-40	B14, 15	009424-40	ACS11, 13
000811-25CWS	G7	001637-45	ACS13, 15	002878-40	C34	009424-40QT	ACS11, 13
000812-25	ACS13; G5, 6	001637-45AM	ACS15	002881-40	A42	009646-45	G6
000812-25CWS	G7	001638-45	ACS13, 15; G8	002882-40	A28, 29	009649-45	G7
000821-40	G3	001638-45AM	ACS15	002884-40	A27, 28	009650-45	G3
000888-45	A12, 34; G3	001660-45	ACS13, 14; G8	002900-40	B17	009744-45	ACS13
000894-45	G3, 10	001661-45	ACS13, 14; G8	002970-45	E23	009749-25	ACS13
000895-45	G3, 4	001684-25	ACS20	002987-40	B8, 9	009750-25	ACS13
000907-45	A46, 47	001686-45	ACS14; G8	003090-45	G10	009752-45	ACS13; G5
000913-45	A46; G3, 4	001720-40	ACS19	003105-40	ACS19	009753-25	ACS11, 13
000922-45	ACS13, 14; G5-8	001769-40	ACS20	003164-45	ACS13; G5, 6, 7	009753-25QT	ACS11, 13
000925-45	ACS14, 15; G8	001783-40	ACS14	003198-45	A47; G10	009754-25	ACS11, 13
000933-45	ACS13; G5-8	001784-40	ACS14	003199-45	A47; G10	009754-25QT	ACS11, 13
000974-45	G3, 4, 5, 9	001806-25	ACS19	003690-45	G9	009937-40	A39; B9
000976-45	ACS13; G5	001907-25	ACS13; G6, 7	004710-25	ACS20	00AA	ACS17; C3; D43
000986-45	ACS13; G6	001908-25	ACS13; G6, 7	004741-25	ACS20	00BB	ACS17; A34; B18
		002337-45	ACS19	005028-40	D18, 30	00CC	ACS17; C3, 14, 16, 21
		002521-45	ACS14; G8	005311-40	A32	00EE	ACS17; C3, 17

Model No.	Section & Page	Model No.	Section & Page	Model No.	Section & Page	Model No.	Section & Page
OOGG	ACS17; A25; C3, 19	011619-25	ACS11, 12	014209-40	A18, 20	017907-45	C33; D19
OOGG-RGH	D45	011643-45	G7	014615-45	G4	017938-45	E21
00JJ	ACS17; C3; D42	011676-45	G6	014932-45	E21	018122-45	B20
00JJ-XT	D39, 40, 42	012394-25	ACS10, 12	014933-45	E21	018160-40	CP14
00JJ-XT-RGH	D44	012395-25	ACS10, 12	014934-45	E21	018163-20	ACS13
00KK	ACS17; C12	012442-40	ACS10, 12	014935-45	E21	018176-40	D19
00LL	ACS19; B18, 19	012443-40	ACS10, 12	014936-45	E21	018200-40	ACS22; A6-8, 49
00QQ	ACS17	012444-40	ACS10, 12	014937-45	E21	018227-45	CP14
00WW	ACS17; C3	012445-40	ACS10, 12	014938-45	E21	018230-45	CP14
00XX	ACS17; C20; D31, 40	012446-25	ACS10, 12	014940-45	E21	018232-45	CP14
00XX-RGH	D44	012447-25	ACS10, 12	014941-45	E21	018233-45	CP14
00YY	ACS17	012449-40	ACS13	014942-45	E21	018282-45	CP8, 19
010027-40	ACS15; B19	012451-45	G6	014943-45	E21	018292-45	G4
010094-40	ACS6	012452-45	G6	014944-45	E21	018507-40	CP8, 19
010123-45	B5, 8	012465-45	G6	014945-45	E21	018590-45	D57, 58
010126-45	B5, 8	012467-45	G6	014946-45	E21	018591-45	D57, 58
010150-45	G7	012504-40	A42	014948-45	E21; I24	018592-45	D57, 58
010196-25	C56; G6	012555-40	G6	014949-45	E21	018593-45	D57, 58
010317-45	G6	012596-45	G6, 7	014950-45	E21	018594-45	D57, 58
010381-45	C37	012665-45	G3, 9, 10	015232-45	I21	018595-45	D57, 58
010382-45	C37	012915-45	G3, 4, 5, 9	015425-45	ACS7-8, 15; D78-79	018596-45	D57, 58
010384-45	C37	012952-45	B16, 17	015550-45	B7, 8; G10	018597-45	D57, 58
010385-45	C37	013146-45	B4, 5; D37	015588-40	B7, 8; G10	034A	A38, 40; J4
010386-45	C37	013E-36H	A35; ACS22	015589-40	B7, 8; G10	035A	B17
010386-45VR	C37	013E-36R	ACS22	016154-25	E20	045A	E21
010387-45	C37	013E-48H	ACS22	016297-45	I3	052A	A41; B8; J2
010388-45	C37	013E-60H	A35; ACS22; D59	016301-20	G6	053A	A41; B8
010389-45	C37	013E-60V	ACS22; D59	016325-45	I3	054A	A41; B8
010390-45	C37	013E-72H	A35; ACS22	016590-45	E21	055A	A35-37, 41; B8, 9
010391-45	C37	013E-84H	ACS22	016752-40	ACS11, 13	056A	A41; B8
010392-45	C37	013429-45	D4	016753-40	ACS11, 13	057A	A41; B8
010393-45	C37	013430-45	G5, 6	016767-25	ACS11, 12	058A	A41; B8
010393-45XL	C37	013433-45	CP8, 19	016768-25	ACS11, 12	059A	A41; B8
010393-45XS	C37	013434-45	CP8, 19	016782-40	B7	059X	ACS3; C4, 26
010394-45	C37	013539-45	J2	016783-40	B8	059XM	ACS3
010394-45XS	C37	013716-40	I27	016807-45	G3	060X	ACS3; C4, 26
010476-45	A41, 46, 47; G3-5	013787-45	I26	016887-45	D19	060XM	ACS3
010563-45	G4	013788-45	I26	016925-40	ACS11, 13	060XP	ACS3
010565-45	G4	014068-45	I27	016926-40	ACS11, 13	061X	ACS3; C4, 26
011276-45	ACS12	014086-45	E19	017181-41	ACS14	061XM	ACS3
011277-45	ACS12	014087-45	E19	017182-45	G7	062X	A12, 28; ACS3; C4, 26
011278-25	ACS10, 12	014131-45	E19	017208-40	G7	062XM	ACS3
011279-25	ACS10, 12	014132-45	E19	017229-45	ACS14	062XP	ACS3
011311-25	ACS12	014145-45	ACS13	017352-45	E21	063X	ACS3
011312-25	ACS12	014152-40	ACS13; G6	017355-45	E21	063XM	ACS3
011355-45	C37	014187-45	E19	017359-45	E21	064X	ACS3
011356-45	C37	014193-40	ACS13, 14; G6	017362-45	E21	064XM	ACS3
011429-45	G3, 7	014193-40AM	ACS14	017420-45	G9	065X	ACS3; C4, 10, 26
011456-45	G4	014194-40	ACS13, 14	017439-45	D55, 56	065XM	ACS3
011475-45	G4	014195-40	ACS13, 14	017441-45	D55, 56	066X	ACS3; C6
011616-25	ACS11, 12	014200-45	D10, 11; G3; I9	017443-45	D55, 56	067X	ACS3; C6
011617-25	ACS11, 12	014207-40	A38	017444-45	D55, 56	067-HR	B15
011618-25	ACS11, 12	014208-40	A14-16	017670-45	C42	068X	ACS3; C6, 9, 26

Model No.	Section & Page	Model No.	Section & Page	Model No.	Section & Page	Model No.	Section & Page
069X	ACS3	132XP	ACS3; CP20	5AFL18	I26	5F-4CW03A	I10, 11
073X	A17	133X	ACS3; C6, 20-21; CP20	5EF-0001	I3	5F-4CW05	I10, 11
076F	ACS15; D48	133X-AER	ACS3; CP20	5EF-0002	I3	5F-4CW05A	I11
076F-C	ACS15	133X-LAM	ACS3; CP20	5EF-0003	I3	5F-4CW06	I10, 11
076F-H	ACS15	133X-LAM-VR	ACS3; CP20	5EF-0004	I3	5F-4CW08	I10, 11
084A	D77	133XM	ACS3; CP20	5EF-0005	B4; D37; I3	5F-4CW10	I10, 11
098A	A41; B8	133XP	ACS3; CP20	5EF-0006	I3	5F-4CW12	I10, 11
OCS6	ACS4; C6, 9, 15, 18, 19	134X	ACS3	5EF-1D-DG	I3; J6	5F-4DLS00	I12
OCS8	ACS4; D17	134XP	ACS3; CP20	5EF-1D-DG-4DP	I3	5F-4DLS03	I12
OCS8-LT	ACS4	135X	ACS3	5EF-1D-DG-4DPWS	I3	5F-4DLS05	I12
ORK1	E22	135X-LAM	ACS3	5EF-1D-DGSM	I3	5F-4DLS06	I12
ORK2	E22	135X-LAM-VR	ACS3	5EF-1D-DG-TMV	I3	5F-4DLS08	I12
ORK3	E13, 22	135XM	ACS3; CP20	5EF-1D-DG-VF05	I3	5F-4DLS09	I12
ORK-SK	E21	135XP	ACS3; CP20	5EF-1D-DS	I3; J6	5F-4DLS10	I12
108CSF-RK	G4	136X	ACS3	5EF-1D-DS-4DP	I3	5F-4DLS12	I12
108HSF-RK	G4	148X	ACS19; B4; D37	5EF-1D-DS-TMV	I3	5F-4DLS14	I12
108S-RK	G4	150A	ACS20; B10	5EF-1D-DS-VF05	I3	5F-4DLX00	I13
108SF-RK	G4	150X	ACS19	5EF-1D-WG	I3; J6	5F-4DLX03	I13
108T-RK	G4	151X	ACS3	5EF-1D-WG-TMV	I3	5F-4DLX05	I13
108V-RK	G4	152X	ACS3	5EF-1D-WG-VF05	I3	5F-4DLX06	I13
112X	ACS6	153X	ACS3	5EF-2D-DS	I3	5F-4DLX08	I13
114X	ACS6; B18, 20	160X	ACS4; C19	5EF-2D-DS-TMV	I3	5F-4DLX10	I13
115X	ACS6; B18, 20	161X	ACS4	5EF-2D-DS-VF05	I3	5F-4DLX12	I13
116X	ACS6; B18, 20	162X	ACS4	5EF-FILTER	I3	5F-4DLX14	I13
117X	ACS6	163X	ACS4	5EF-TMV	I3	5F-4DWS00	I13
118X	ACS6	165X	ACS4; CP20	5F-1SLX00	I9	5F-4DWS03	I13
119X	ACS4; CP20, 24	166X	D13	5F-1SLX03	I9	5F-4DWS05	I13
119XP	ACS4	172A	A41; ACS20; B8	5F-1SLX05	I9	5F-4DWS06	I13
120X	ACS4; CP20, 22-25; C22; D7	175F	A38	5F-1SLX06	I9	5F-4DWS08	I13
120X-LAM	ACS4; CP20	175FC	ACS14; D77	5F-1SLX08	I9	5F-4DWS09	I13
120X-LAM-VR	ACS4; CP20	175FH	ACS14	5F-1SLX10	I9	5F-4DWS10	I13
120XM	ACS4; CP20	180F	ACS14	5F-1SLX12	I9	5F-4DWS12	I13
120XP	ACS4; CP20	181F	ACS14	5F-1SLX14	I9	5F-4DWS14	I13
122X	ACS4; CP20	183F	B8	5F-1SLX18	I9	5F-4DWS00	I13
122XP	ACS4; CP20	18L	ACS13	5F-1WLB05C	I9	5F-4DWS03	I13
123X	ACS4; CP20	238A	ACS13; G6	5F-1WLB10	I9	5F-4DWS05	I13
123XP	ACS4	238AB	ACS13	5F-2SLX00	I14	5F-4DWS06	I13
124A	D52, 77	238AC	ACS13	5F-2SLX03	I14	5F-4DWS08	I13
124X	ACS4; CP20	238AH	ACS13	5F-2SLX05	I14	5F-4DWS09	I13
125X	ACS4; CP20	263L	ACS13	5F-2SLX06	I14	5F-4DWS10	I13
126X	ACS4; CP20	264L	ACS13	5F-2SLX08	I14	5F-4DWS12	I13
127X	ACS4	52A	ACS19	5F-2SLX10	I14	5F-4DWS14	I13
128X	ACS4	53A	ACS19	5F-2SLX12	I14	5F-4DWS00	I13
129X	ACS4	54A	ACS19	5F-2SLX14	I14	5F-4DWS03	I13
129XP	ACS4	57A	ACS19	5F-2SLX18	I14	5F-4DWS05	I13
130X	ACS4	58A	ACS19	5F-4CLX00	I10	5F-4DWS06	I13
131X	ACS3; CP20	5AFL00	I26	5F-4CLX03A	I10	5F-4DWS08	I13
131X-ADA	ACS3; CP20	5AFL06	I26	5F-4CLX05	I10	5F-4DWS09	I13
131XM	ACS3; CP20	5AFL08	I26	5F-4CLX06	I10	5F-4DWS10	I13
131XP	ACS3; CP20	5AFL10	I26	5F-4CLX08	I10	5F-4DWS12	I13
132X	ACS3; C30; CP20; D35	5AFL12	I6, 26	5F-4CLX08	I10	5F-4DWS14	I13
132XM	ACS3; CP20	5AFL14	I26	5F-4CLX10	I10	5F-4DWS00	I13
		5AFL16	I26	5F-4CLX12	I10	5F-4DWS03	I13
				5F-4CW00	I10, 11	5F-4DWS05	I13

Model No.	Section & Page	Model No.	Section & Page	Model No.	Section & Page	Model No.	Section & Page
5F-4WWX05	I15	5F-8WWX00-EE	I16	5PR-1S14	I8	5SV-H	I22, 24, 27
5F-4WWX06	I15	5F-8WWX03	I16	5PR-1S18	I8	5SV-H-RK	I22
5F-4WWX08	I15	5F-8WWX05	I16	5PR-2S00	I5	5SV-RK	I27
5F-4WWX10	I15	5F-8WWX06	I16	5PR-2S00-12WB	I5	5SV-WH	I23-25, 27; J8
5F-4WWX12	I15	5F-8WWX08	I17	5PR-2S00-C	I5	5WG-1000-01	I23-25, 27; J8
5F-8DLS00	I19	5F-8WWX10	I16	5PR-2S06	I5	64L	ACS13
5F-8DLS03	I19	5F-8WWX12	I16	5PR-2S08	I5	66L	ACS13
5F-8DLS05	I19	5F-8WWX14	I16	5PR-2S10	I5	67L	ACS13
5F-8DLS06	I19	5F-8WWX16	I16	5PR-2S12	I5	98A	ACS19
5F-8DLS08	I19	5F-8WWX18	I16	5PR-2S12-C	I5	AG-5C	F7
5F-8DLS09	I19	5F-VF05	I26	5PR-2S14	I5	AG-5D	F7
5F-8DLS10	I19	5GF-8P	I22	5PR-4D00	I4	AG-5E	F7
5F-8DLS12	I19	5GF-8P-WS	I22	5PR-4D08	I4	AG-5F	F7
5F-8DLS14	I19	5GF-12P	I22	5PR-4D12	I4	AG-6C	F7
5F-8DLX00	I18	5GF-16P	I22	5PR-8D00	I7	AG-6D	F7
5F-8DLX03	I18	5GF-RK	I21	5PR-8D06	I7	AG-6E	F7
5F-8DLX05	I18	5GF-W	I21	5PR-8D08	I7	AG-6F	F7
5F-8DLX06	I18	5GF-W-F	I21	5PR-8D10	I7	AG-7C	F7
5F-8DLX08	I18	5HDL-L	I26	5PR-8D12	I7	AG-7D	F7
5F-8DLX10	I18	5HDL-W	I26	5PR-8D14	I7	AG-7E	F7
5F-8DLX12	I18	5HR-2SA	I23, 25	5PR-8W00	I6	AG-7F	F7
5F-8DLX14	I18	5HR-232	I23-25	5PR-8W00-C	I6	AG-8C-FF	F7
5F-8DLX16	I18	5HR-232-01	I24, 25	5PR-8W06	I6	AG-8D-FF	F7
5F-8DLX18	I18	5HR-232-09	I24, 25	5PR-8W08	I6	AG-8E-FF	F7
5F-8DWS00	I20	5HR-232-12	I24	5PR-8W10	I6	AG-8F-FF	F7
5F-8DWS03	I20	5HR-232-01-GH	I24; J8	5PR-8W12	I6	AG-8C-MF	F7
5F-8DWS05	I20	5HR-232-GH	I24; J8	5PR-8W12-C	I6	AG-8D-MF	F7
5F-8DWS06	I20	5HR-242	I23-25	5PR-8W14	I6	AG-8E-MF	F7
5F-8DWS08	I20	5HR-242-01	I24, 25	5PR-8W14-C	I6	AG-8F-MF	F7
5F-8DWS09	I20	5HR-242-01-GH	I24; J8	5PR-8W18	I6	AG-KC	F7
5F-8DWS10	I20	5HR-242-09	I24, 25	5PR-8WLS00	I6	AG-KD	F7
5F-8DWS12	I20	5HR-232-12	I24	5PR-8WLS12	I6	AG-KE	F7
5F-8DWS14	I20	5HR-242-GH	I24	5PR-8WWS00	I6	AG-KF	F7
5F-8DWX00	I18	5HR-2HSE-35	I24, 27	5PR-8WWS12	I6	AG-RC	F7
5F-8DWX08	I18	5HR-2HSE-50	I24, 27	5SL-1000	I21	AW-5A	F10
5F-8DWX10	I18	5HR-2SA	I24, 26	5SP-03	I28	AW-5B	A46; F10
5F-8DWX12	I18	5HR-342	I23	5SP-03A	I28	AW-5C	F10
5F-8WLS06	I16	5HR-342-01-GH	I24	5SP-05	I28	AW-5D	F10
5F-8WLS12	I16	5HR-342-09-GH	I24	5SP-05A	I28	B-0015-H	ACS22
5F-8WLX00	I16	5HR-342-GH	I24	5SP-06	I28	B-0018-H	ACS22
5F-8WLX00-EE	I16	5HR-HDL	I26	5SP-06A	I28	B-0018-R	ACS22
5F-8WLX03	I16	5HR-HDL-L	I26	5SP-08	I28	B-0020-H	ACS22
5F-8WLX05	I16	5HR-HDL-W	I26	5SP-08A	I28	B-0020-H2A	ACS22
5F-8WLX06	I16	5HSE44	I27	5SP-10	I28	B-0020-HM	ACS22
5F-8WLX08	I16	5HSE68	I27	5SP-10A	I28	B-0020-R	ACS22
5F-8WLX10	I16	5HSE84	I27	5SP-12	I28	B-0023-H	ACS22
5F-8WLX12	I16	5HSE96	I27	5SP-12A	I28	B-0024-H	ACS22
5F-8WLX14	I16	5PR-1S00	I8	5SP-14	I28	B-0024-H2A	ACS22
5F-8WLX16	I16	5PR-1S00-60	I8	5SP-16	I28	B-0026-H	ACS22
5F-8WLX18	I16	5PR-1S06	I8	5SP-18	I28	B-0026-H2A	ACS22
5F-8WWS06	I16	5PR-1S08	I8	5SV	I27	B-0026-HM	ACS22
5F-8WWS12	I16	5PR-1S10	I8	5SV-B	I27	B-0028-H	ACS22
5F-8WWX00	I17	5PR-1S12	I8	5SV-C	I5, 27	B-0028-H2A	ACS22

Model No.	Section & Page	Model No.	Section & Page	Model No.	Section & Page	Model No.	Section & Page
B-0032-H	A35; ACS22	B-0100-SWV	A6-8, 35, 36, 49	B-0111-02	A27	B-0113-M	A13
B-0032-H2A	ACS22	B-0101	A35, 37	B-0111-B	A27	B-0113-SWV	A6, 7, 13
B-0036-H	ACS22	B-0101-60H	A35, 37	B-0111-BC	A27	B-0113-V-BC	A10
B-0036-H-SWV	A6, ACS22	B-0101-A	A35	B-0111-BR	A27	B-0113-Y	A13
B-0040-H2A	ACS22	B-0101-E72-053A	A35	B-0111-C	A27	B-0114-01	A30
B-0042-H2A	ACS22	B-0102	B9	B-0112	A27	B-0114-01B	A30
B-0044-H	A35; ACS22	B-0102-A	B9	B-0113	A13	B-0114-02	A30
B-0044-H-SWV	A6, 35; ACS22	B-0102-B	B9	B-0113-01BY	A13	B-0114-RK	G3
B-0044-H2A	A35; ACS9, 22; B9	B-0102-C	B9	B-0113-079X-V-B	A13	B-0117	A31
B-0044-H2A-SWV	A6; ACS22	B-0103	ACS9	B-0113-08	A9	B-0119	A49
B-0044-H2AML	ACS22	B-0103-01	ACS9	B-0113-08C	A9	B-0121	A27
B-0044-H2AMS	ACS22	B-0103-F03	ACS9	B-0113-12-CR-B	A13	B-0122	A27
B-0044-HF	ACS22	B-0103-F05	ACS9	B-0113-12-CRBJST	A11	B-0123	A16
B-0044-HML	ACS22	B-0103-F07	ACS9	B-0113-12-CRBJSW	A11	B-0123-08	A14
B-0044-HMS	ACS22	B-0103-F10	ACS9	B-0113-12-CRVB	A13	B-0123-08C	A14
B-0044-R	ACS22	B-0103-F12	ACS9	B-0113-12-CRVBC	A11	B-0123-12-CR-BC	A15
B-0044-R2A	ACS22	B-0103-F15	ACS9	B-0113-A06-08	A9	B-0123-12CRCVBC	A15
B-0044-RML	ACS22	B-0103-F20	ACS9	B-0113-A06-B08	A9	B-0123-A06-B08	A14
B-0044-RMS	ACS22	B-0104	A49; B9; D51	B-0113-A06-B08C	A9	B-0123-A06-B08C	A14
B-0044-RV9	ACS22	B-0104-A	A49; B9	B-0113-A10-08C	A9	B-0123-A08-B08	A14
B-0044-V	ACS22	B-0104-D	A40, 49; D51	B-0113-A12-08C	A9	B-0123-A08-B08C	A14
B-0044-V9	ACS22	B-0104-H	ACS22	B-0113-A12-B08	A9	B-0123-A10-B08	A14
B-0048-H	ACS22	B-0105	A38	B-0113-A12-B08C	A9	B-0123-A10-B08C	A14
B-0050-H	ACS22	B-0106	A35, 37	B-0113-A12B-TEE	A13, 17	B-0123-A12-08	A14
B-0050-H2A	ACS22	B-0107	A45, 46, 48; E8, 20	B-0113-A12-V-BC	A11	B-0123-A12-08C	A14
B-0054-H	ACS22	B-0107-035	A45, 46	B-0113-A12B-TEE	A13	B-0123-A12-B08	A14
B-0054-H2A	ACS22	B-0107-090	A45, 46	B-0113-ADF06	A13	B-0123-A12-B08C	A14
B-0054-V	ACS22	B-0107-A	B9	B-0113-ADF08-B	A13	B-0123-A12-V-BC	A15
B-0056-H	ACS22	B-0107-B	B9	B-0113-ADF10-B	A13	B-0123-ADF06-B	A16
B-0056-H2A	ACS22	B-0107-C	A4, 10, 45, 47, 48	B-0113-ADF12	A13	B-0123-ADF08	A16
B-0056-HMS	ACS22	B-0107-C35	A4, 45, 47	B-0113-ADF12-B	A12, 13	B-0123-ADF08-B	A16
B-0060-H	ACS22	B-0107-C90	A45, 47	B-0113-ADF12-BJ	A11, 13	B-0123-ADF10-B	A16
B-0066-H2A	ACS22	B-0107-CM	A45	B-0113-B	A12, 13	B-0123-ADF12	A16
B-0068-H	ACS22	B-0107-J	A4, 8, 10, 45, 47	B-0113-B-SWV	A6, 13	B-0123-ADF12-B	A16
B-0068-H-SWV	A6, ACS22	B-0107-J90	A45, 47	B-0113-B-TEE	A12, 13, 17	B-0123-ADF12-BJ	A15
B-0068-H2A	ACS22	B-0107-M	A45, 46	B-0113-B08	A9	B-0123-B	A16
B-0068-HML	ACS22	B-0107-QD	A45, 46	B-0113-B08C	A9	B-0123-B08	A14
B-0068-HMS	ACS22	B-0108	A9, 18, 19, 43, 45, 46; E8, 20	B-0113-B9	A13	B-0123-B08C	A14
B-0068-R	ACS21; D50	B-0108-C	A9, 18, 19, 43, 45, 47	B-0113-BC	A10	B-0123-B9	A16
B-0072-H	ACS22	B-0108-H	A43; ACS22; E8, 20	B-0113-BJ	A10	B-0123-BC	A15
B-0080-H	ACS22	B-0109-01	A12, 49	B-0113-BJ-SWV-T	ACS16; A10	B-0123-BM	A16
B-0084-H	ACS22	B-0109-01M	A49	B-0113-BM	A13	B-0123-C	A15
B-0084-V	ACS22	B-0109-01VR	A49	B-0113-BR	A13	B-0123-CR	A16
B-0096-H	ACS22	B-0109-02	A49	B-0113-BY	A13	B-0123-CR-B	A16
B-0100	A35	B-0109-03	A49	B-0113-C	A10	B-0123-CR-BC	A15
B-0100-08	A35, 36	B-0109-03VR	A49	B-0113-CR	A13	B-0123-CR-CCV-B	A16
B-0100-08C	A35, 36	B-0109-04	A49	B-0113-CR-B	A13	B-0123-CR-J	A15
B-0100-32H	A35	B-0109-05	A49	B-0113-CR-J	A10	B-0123-J	A15
B-0100-C	A35, 36	B-0109-06	A49; E11	B-0113-CR-V-B	A13	B-0123-M	A16
B-0100-C-SWV	A6-8, 35, 36	B-0109-07	A49	B-0113-CR-V-BC	A10	B-0123-V-BC	A15
B-0100-CM	A35, 36	B-0110	A49; D38	B-0113-J	A10	B-0124	A30
B-0100-J-SWV	A6-8, 35, 37	B-0111	A27	B-0113-K	G3	B-0126	A32
B-0100-M	A35			B-0113-LN	A9-12, 27	B-0126-CR	A32

Model No.	Section & Page	Model No.	Section & Page	Model No.	Section & Page	Model No.	Section & Page
B-0126-R	A32	B-0133-ADF08	A21	B-0133-V-B-68H	A21	B-0173	A24
B-0126-VB	A32	B-0133-ADF08-B	A21	B-0133-V-BC	A22	B-0173-B	A24
B-0126-VBR	A32	B-0133-ADF10-B	A21	B-0134	A30	B-0175	A40
B-0127	A31	B-0133-ADF10-BR	A21	B-0134-B	A30	B-0175-01	A40
B-0129	A32	B-0133-ADF12	A21	B-0137	A31	B-0175-02	A40
B-0129-VB	A32	B-0133-ADF12-B	A21	B-0140	A33	B-0175-03	A40
B-0130	A32	B-0133-ADF12-BC	A22	B-0140-01	A33	B-0175-CR	A40
B-0131	A28	B-0133-ADF12-BJ	A22	B-0140-08	A33	B-0176	A40
B-0131-ADF12-BC	A28	B-0133-ADF12-BM	A21	B-0141	A29	B-0176-ER	A40
B-0131-ADF14-B	A28	B-0133-ADF12-BR	A21	B-0143	A24	B-0177	A41
B-0131-B	A28	B-0133-ADF14-B	A21	B-0143-01	A24	B-0178	A41
B-0131-BC	A28	B-0133-ADF14-BR	A21	B-0144-H	ACS22	B-0180	B16
B-0131-BC-28H	A28	B-0133-ADF16-B	A21	B-0152-CR-C-TEE	A17	B-0182	B16
B-0131-BC-425	A28	B-0133-ADF16-BR	A21	B-0153	A24	B-0187	B17
B-0131-C	A28, 29	B-0133-ADF16-BR	A21	B-0155	A44	B-0188	B17
B-0131-CR-B	A28	B-0133-ADF-LN	A21	B-0155	A44	B-0190	B17
B-0131-CR-B08C	A28	B-0133-B	A20	B-0155-01LN	A44	B-0192	B17
B-0131-CR-B28H	A19	B-0133-B-02	A20	B-0155-05	A44	B-0193	B17
B-0132	A28	B-0133-B-SWV	A6, 20	B-0155-05CR	A44	B-0193	B17
B-0133	A20	B-0133-B-TEE	A17, 20	B-0155-05LN	A44	B-0195	B17
B-0133-01	A21	B-0133-B08	A18, 19	B-0155-064X	A44	B-0196	B17
B-0133-01-36H	A21	B-0133-B08-SWV	A6, 19	B-0155-CR-LN	A44	B-0198	ACS9
B-0133-01-CR	A21	B-0133-B08C	A19	B-0155-LN	A38, 44	B-0198-F03	ACS9
B-0133-01-CR-8C	A19	B-0133-B9	A20	B-0155-LNEZ	A12, 44	B-0198-F05	ACS9
B-0133-08	A18, 19	B-0133-BC	A22	B-0155-LNM	A44	B-0198-F07	ACS9
B-0133-08C	A18, 19	B-0133-BJ	A22	B-0155-M	A44	B-0198-F10	ACS9
B-0133-12CRBJSK	A22	B-0133-BJ-SWV-T	A22	B-0156	A44	B-0198-F12	ACS9
B-0133-12CRBJST	A22	B-0133-BM	A20	B-0156-05	A44	B-0198-F15	ACS9
B-0133-12CRVBCE	A22	B-0133-BQD	A20	B-0156-CR	A44	B-0198-F20	ACS9
B-0133-12-CRVBE	A21	B-0133-BR	A20	B-0156-CR-LN	A33	B-0199-01	ACS3, 7; D78
B-0133-18DJ-CRB	A21	B-0133-C	A22	B-0156-EZ	A12, 44	B-0199-01-F10	ACS7; D78
B-0133-A06-08	A19	B-0133-CC	A20	B-0156-M	A44	B-0199-01-N035	ACS8; D79
B-0133-A06-08C	A19	B-0133-CCB	A20	B-0157	A44	B-0199-01-N05	ACS8; D79
B-0133-A08-08	A19	B-0133-CCB-CR	A20	B-0157-05	A44	B-0199-01-WS	ACS7; D78
B-0133-A08-08C	A11	B-0133-CCB-M	A21	B-0157-CR	A44	B-0199-01F--	ACS7; D78
B-0133-A08-B08	A19	B-0133-CR	A21	B-0157-M	A44	B-0199-02	ACS7; D78
B-0133-A08-B08C	A19	B-0133-CR-B	A21	B-0158	A25, 44	B-0199-02-F10	ACS7; D78
B-0133-A10-08C	A19	B-0133-CR-B08	A19	B-0158-CR	A44	B-0199-02-N035	ACS8; D79
B-0133-A10-B08	A19	B-0133-CR-B08C	A19	B-0159	A49	B-0199-02-N05	ACS8; D79
B-0133-A10-B08C	A19	B-0133-CR-B08W4	A19	B-0160	A38	B-0199-02-WS	ACS7; D78
B-0133-A12-08	A19	B-0133-CR-B8SWX	A6, 19	B-0163	A24	B-0199-02F--	ACS7; D78
B-0133-A12-08C	A19	B-0133-CR-BC	A22	B-0165	A38	B-0199-03	ACS7; D78
B-0133-A12-BC4	A22	B-0133-CR-C	A22	B-0165-C35-68H	A38	B-0199-03-N035	ACS8; D79
B-0133-A12-B08	A19	B-0133-CR-J	A22	B-0166	A38, 40, 49; J3	B-0199-03-N05	ACS8; D79
B-0133-A12-B08C	A18, 19	B-0133-CR-V-BCE	A22	B-0167	A39	B-0199-03-WS	ACS7; D78
B-0133-A12-B8CX	A19	B-0133-CR-V-BE	A21	B-0167-01	A39	B-0199-03F--	ACS7; D78
B-0133-A12-BC4	A22	B-0133-EE-B	A21	B-0167-HH	A40	B-0199-04	ACS7; D78
B-0133-A12-CCB	A21	B-0133-EE-BM	A21	B-0168	A39	B-0199-04-N035	ACS8; D79
B-0133-A12B-TEE	A17, 21	B-0133-EE-CR-8C	A19	B-0169	A39	B-0199-04-N05	ACS8; D79
B-0133-A14-CCB	A21	B-0133-J	A22	B-0169-01	A39	B-0199-04-WS	ACS7; D78
B-0133-A16-CR-B	A21	B-0133-LB	A21	B-0169-102C-96H	A39	B-0199-05-N035	ACS8; D79
B-0133-ADF06	A21	B-0133-M	A21	B-0170	A39	B-0199-05-N05	ACS8; D79
B-0133-ADF06-B	A21	B-0133-SWV	A6, 21	B-0171	A29	B-0199-05-WS	ACS7; D78
		B-0133-V-B	A21	B-0171-01	A29	B-0199-06	ACS7; D78

ACS = Accessories **A** = Pre-Rinse **B** = Pot, Kettle and Glass Filler **C** = Faucets and Components

CP = ChekPoint Faucets **D** = Institutional, Medical and Lab Products **E** = Washdown Stations **F** = Safe-T-Link **G** = Parts Kits

H = Emergency Equipment **I** = Equip **J** = Pet Care **K** = EnviroPure

Model No.	Section & Page	Model No.	Section & Page	Model No.	Section & Page	Model No.	Section & Page
B-0199-06-F10	ACS7; D78	B-0205-LN	A25, C4, 6, 10	B-0225-LN	C5, 7, 14	B-0231-CR-EK	C5, 17
B-0199-06-N035	ACS8; D79	B-0205-LNM	C4, 10	B-0225-LNM	C5, 14	B-0231-CR-KIT	C5, 17
B-0199-06-N05	ACS8; D79	B-0205-M	C4, 10	B-0225-M	C5, 14	B-0231-CR-M	C5, 17
B-0199-06-WS	ACS7; D78	B-0206	C4, 10	B-0226	C5, 14	B-0231-CR-SC	C5, 17
B-0199-06F--	ACS7; D78	B-0206-01	C4, 10	B-0226-CC	C5, 14	B-0231-EE	C5, 17
B-0199-07	ACS7; D78	B-0206-02	C4, 10	B-0227	C5, 14	B-0231-EE-A22	C5, 17
B-0199-07-F10	ACS7; D78	B-0206-CR	C4, 10	B-0227-CC	C5, 14	B-0231-EE-A22CR	C5, 17
B-0199-07-N035	ACS8; D79	B-0206-M	C4, 10	B-0227-CR	C5	B-0231-EE-CR	C5, 17
B-0199-07-N05	ACS8; D79	B-0207	C4, 10	B-0227-M	C5, 14	B-0231-EEM	C5, 17
B-0199-07-WS	ACS7; D78	B-0207-CR	C4, 10	B-0228	C5, 14	B-0231-M	C5, 17
B-0199-07F--	ACS7; D78	B-0207-CR-LS	C4, 10	B-0228-CC	C5, 14	B-0231-VF22-EL	C5, 17
B-0199-08	ACS7; D78	B-0207-M	C4, 10	B-0228-CR	C5, 14	B-0231-WH4	C5, 17
B-0199-08-LF10	ACS8; D79	B-0208	C6, 9	B-0228-M	C5, 14	B-0232	C5, 17
B-0199-08-N035	ACS8; D79	B-0208-CR	C6, 9	B-0230	C5, 16	B-0232-BST	C5, 17
B-0199-08-N05	ACS8; D79	B-0208-CR-HW	C6, 9	B-0230-01	C7, 15	B-0232-CC	C5, 18
B-0199-08-WS	ACS7; D78	B-0210	C8, 11	B-0230-01-QT	C7, 15	B-0232-CC-CR	C5, 18
B-0199-08F--	ACS7; D78	B-0210-060X	C8, 11	B-0230-02	C5, 16	B-0232-EE	C5, 18
B-0199-09	ACS7; D78	B-0210-LN	C8, 11	B-0230-14-CR-SC	C5, 16	B-0232-ELK	C5, 18
B-0199-09-LF10	ACS8; D79	B-0210-LNM	C11	B-0230-132XA-CR	C7	B-0232-F1-CR-SC	C5, 18
B-0199-09-LF15	ACS8; D79	B-0211	C8, 11	B-0230-132XA-EL	C15	B-0232-M	C5, 18
B-0199-09-N035	ACS8; D79	B-0212	C8, 11	B-0230-134XA-CR	C7, 15	B-0233-01	C7, 19
B-0199-09-N05	ACS8; D79	B-0216	C8, 11	B-0230-135X-WH4	C7, 15	B-0233-02	C7, 19
B-0199-09-WS	ACS7; D78	B-0216-177F	C8	B-0230-BST	C5, 16	B-0233-03	C7, 19
B-0199-10-N035	ACS8; D79	B-0220	C4, 11	B-0230-CC	C5, 16	B-0233-04	C7, 19
B-0199-10-N05	ACS8; D79	B-0220-060X	C4, 11	B-0230-CC-CR	C5, 16	B-0234-BST	C7, 18
B-0199-10-WS	ACS7; D78	B-0220-061X	C4, 11	B-0230-CCLN	C5, 16	B-0234-EE	C7, 15
B-0199-21	ACS3, 8; D79	B-0220-CC	C4, 11	B-0230-CCLNM	C16	B-0235	C5, 19
B-0199-21-VRF	ACS3, 8; D79	B-0220-CR-LN	C4, 11	B-0230-CR	C5, 16	B-0235-01	C7, 19
B-0199-22	ACS9	B-0220-EE	C4, 12	B-0230-CR-02	C5, 16	B-0235-CC	C5, 19
B-0199-25	ACS8; D79	B-0220-EE-061X	C4, 12	B-0230-CR-LN	C5, 16	B-0235-LN	C5, 7, 19
B-0199-26	ACS8; D79	B-0220-EELN	C4, 12	B-0230-CR-WH4	C5, 16	B-0235-LNM	C5, 19
B-0199-27	ACS8; D79	B-0220-LN	C4, 6, 12	B-0230-EE	C5, 16	B-0236	C5, 19
B-0199-28	ACS8; D79	B-0220-LNCC	C4, 12	B-0230-EE-061X	C5, 16	B-0236-CR	C5, 19
B-0199-29	ACS8; D79	B-0220-LNCCM	C4, 12	B-0230-EELN	C5, 16	B-0236-CR-063X	C5, 19
B-0199-29VR	ACS8; D79	B-0220-LNM	C4, 12	B-0230-K	C15; G9; I26	B-0236-M	C5, 19
B-0199-VR-KEY	ACS15	B-0220-M	C4, 12	B-0230-K-M12	G9	B-0237	C5, 19
B-0200	C4, 9	B-0221	C4, 12	B-0230-KIT	G9	B-0238	C5
B-0200-44H-VB	C6, 9	B-0221-CC	C4, 12	B-0230-LN	C5, 7, 16	B-0238-RK	G7
B-0200-60H-VB	C6, 9	B-0221-CC-CR	C4, 12	B-0230-LNCCM	C5	B-0240	C8, 20
B-0200-CR	C4, 9	B-0221-CR	C4	B-0230-LNM	C5, 16	B-0240-LN	C8, 20
B-0200-CR-LN	C4, 9	B-0221-EE	C4, 12	B-0230-M	C5, 16	B-0241	C8, 20
B-0200-LN	C4, 6, 9	B-0221-KK	C4, 12	B-0230-OSC8-CR	C16	B-0242	C8, 20
B-0200-LNM	C4, 9	B-0221-M	C4, 12	B-0230-TZ-CR-SC	ACS16; A17; C5, 16	B-0243	C8, 20
B-0200-M	C4, 9	B-0221-WH4	C4, 12	B-0231	C5, 16	B-0245	C6, 12
B-0201	C4, 9	B-0222	C4, 12	B-0231-02	C5, 16	B-0246	C6, 12
B-0201-CR	C4	B-0222-CC	C4, 12	B-0231-A22-CVH	C5, 17	B-0247	C6, 13
B-0201-M	C4, 9	B-0222-EE	C4, 12	B-0231-BB-CR	C5, 17	B-0250	C6, 9
B-0202	C4, 9	B-0222-M	C4, 12	B-0231-BST	C5, 17	B-0251	C6, 9
B-0202-CR	C4, 9	B-0225	C5, 14	B-0231-CC	C5, 17	B-0252	C6, 9
B-0205	C4, 10	B-0225-CC	C5, 14	B-0231-CC-CR	C5, 17	B-0255	C6, 10
B-0205-44H-VB	C10	B-0225-CR	C5, 14	B-0231-CCM	C5, 17	B-0256	C6
B-0205-60H-VB	C10	B-0225-CR-LN	C5, 14	B-0231-CR	C5, 17	B-0257	C6, 10
B-0205-CR-LN	C4, 10	B-0225-EELN	C5, 14			B-0260	C8, 11

Model No.	Section & Page	Model No.	Section & Page	Model No.	Section & Page	Model No.	Section & Page
B-0260-CR-177F	C8, 11	B-0300-VR4	C22	B-0325-CC-CR	C21	B-0409-03	ACS5
B-0261	C8, 11	B-0300-WH4	C22	B-0325-CC-CR-W4	C21	B-0409-04	ACS5
B-0262	C8, 11	B-0301	C6, 20	B-0325-CR	C21	B-0411-F03	ACS21
B-0265	C7, 18	B-0301-01	C6, 20	B-0325-LN	C21	B-0411-F05	ACS21
B-0265-BST	C7, 18	B-0301-01-QT	C6, 20	B-0325-LNCC	C21	B-0411-F07	ACS21
B-0266	C7, 18	B-0301-01QT-WS	C6, 20	B-0325-NPL	C21	B-0411-F10	ACS21
B-0266-BST	C7	B-0301-VR	C6, 20	B-0325-WH4	C7, 21	B-0411-F12	ACS21
B-0266-CR-SC	C7	B-0301-W4-QT-WS	C6, 20	B-0326	C25	B-0411-F15	ACS21
B-0267	C7, 18	B-0301-WH4	C6, 20	B-0326-LN	C25; J2	B-0411-F16	ACS21
B-0267-BST	C7, 18	B-0305	C23	B-0328-CR-VF05	C25	B-0411-F20	ACS21
B-0270	B10	B-0305-01	C23	B-0330	C24	B-0412	ACS21; D19
B-0270-144XVF22	B10	B-0305-03	C23	B-0330-01	C24	B-0412-F05	ACS21
B-0271	B10	B-0305-102A-CR	B13	B-0330-01-W4F12	C24	B-0412-F12	ACS21
B-0273	E23	B-0305-CR	C23	B-0330-01-WH4	C24	B-0412-F15	ACS21
B-0273-QD	E21	B-0305-LN	A26; C23	B-0330-04	C24	B-0412-F20	ACS21
B-0275	B10	B-0305-LN-175F	C23	B-0330-BST	C24	B-0412-M	ACS21
B-0276	B10	B-0305-QT-WS	C23	B-0330CR-PRISON	C24	B-0413	ACS21
B-0277	B10	B-0305-VF22	C23	B-0330-LN	C24	B-0413-M	ACS21
B-0281	B11	B-0305-VR	C23	B-0331	C7, 21	B-0413-M50	ACS21
B-0284	B18	B-0305-VR4	C23	B-0331-BST	C7, 21	B-0414	ACS21
B-0286-LNEZ	A34; B18	B-0306	C6, 22	B-0331-CC	C7, 21	B-0414-M	ACS21
B-0287	A34; B18	B-0308-04	C22	B-0331-CR	C21	B-0415	D76
B-0287-427-B	A34; B18	B-0308-04QT-WS	C22	B-0331-VF22-EL	C21	B-0416	D33, 76
B-0288	B19	B-0308-QT	C22	B-0340	C25	B-0418	D76
B-0289	A34; B18	B-0308-QT-VWS	C22	B-0340-LN	C25	B-0423	ACS19
B-0290	B18, 19	B-0308-QT-WS	C22	B-0341	C7, 19	B-0424	ACS19
B-0290-01	B18	B-0310	C24	B-0342	C25	B-0425	A49; ACS19
B-0290-04	B18	B-0310-119X-WS	C24	B-0342CR-PRISON	C25	B-0425-M	A49; ACS19; I7, 26
B-0290-14	B18	B-0310-LN	C24	B-0342-LN	C25	B-0426	A49; ACS19
B-0290-K	G5	B-0312	C8, 22	B-0343	C8, 20	B-0427	A49; ACS19
B-0290-LN	B18, 19	B-0315	C24	B-0345	C25	B-0428	A49; ACS19
B-0290-PRISON	B19	B-0315-LN	C24	B-0345-LN	C25	B-0429	A49; ACS19
B-0291	B18, 19	B-0316	C15	B-0346	C22	B-0430	A24
B-0292	B18, 19	B-0316-LN	C15	B-0350	D31	B-0440	ACS18
B-0293	B19	B-0318-02	B14	B-0350-04	D31	B-0441	ACS18; D39-40
B-0293-01	B19	B-0318-03	B14	B-0352	D31	B-0442	ACS18
B-0293-14	B19	B-0319	B14	B-0352-04	D31	B-0443	ACS18
B-0294	B19	B-0319-01	B11	B-0353-04	D31	B-0445	ACS18
B-0295	B19	B-0319-02	B11	B-0355-04	D31	B-0446	ACS18
B-0296	A34; B19, 20	B-0319-03	B11	B-0362	D39	B-0447	ACS18
B-0296-BKT	B20	B-0319-04	B11	B-0405-02	ACS5	B-0448	ACS18
B-0296-LN	B19	B-0320	C24	B-0405-03	ACS5; C35	B-0449	ACS18
B-0296-PRISON	B20	B-0320-LN	C24	B-0405-04	ACS5	B-0452	A42
B-0297	B19, 20	B-0321	C6, 15	B-0406-02	ACS5	B-0455	D60
B-0298	B19, 20	B-0321-CC	C6, 15	B-0406-03	ACS5	B-0455-04	D60
B-0300	C22	B-0321-CC-CR	C6, 15	B-0406-04	ACS5	B-0456	D60
B-0300-102A	B12	B-0321-NPL	C6, 15	B-0407-02	ACS5	B-0456-04	D60
B-0300-102A-CR	B12	B-0322	D31	B-0407-03	ACS5	B-0457	D60
B-0300-A16-WD	B13	B-0322-04	D31	B-0407-04	ACS5	B-0458	D60
B-0300-CR	C22	B-0323-04	D31	B-0408-02	ACS5	B-0466	ACS21
B-0300-LN	C23	B-0324-04	D31	B-0408-03	ACS5	B-0467	ACS21
B-0300-PF	B13	B-0325	C7, 21	B-0408-04	ACS5	B-0473	D33
B-0300-VR	C23	B-0325-A22	C21	B-0409-02	ACS5	B-0474	D33

Model No.	Section & Page	Model No.	Section & Page	Model No.	Section & Page	Model No.	Section & Page
B-0475	D33	B-0523	D34	B-0606	B16	B-0665-BSTPM	D43
B-0475-LKS	D33	B-0524	D34	B-0610	B16	B-0665-BSTPM24	D43
B-0491-01	D38	B-0525	D35	B-0610-36H	B16	B-0665-BSTR	D43; J9
B-0492-01	D38	B-0526-2	D35	B-0610-CC-H108	B16	B-0665-BSTR-963	D43
B-0502	D32; J7	B-0526-3	D35	B-0610-JJ	B16	B-0665-BSTR-CVB	D43
B-0502-LKS	D32	B-0526-4	D35	B-0611	B16	B-0665-BSTRM	D43
B-0502-SL	D32	B-0526-5	D35	B-0618-01	D47	B-0665-BSTRM12	D43
B-0504	D32	B-0526-16	D35	B-0618-02	D47	B-0665-BSTRM24	D43
B-0504-01	D32	B-0527	D35; J7	B-0618-03	D47	B-0665-CR-BSTR	D43
B-0504-02	D32	B-0528	D35	B-0650-01	D39	B-0665-CR-POL	D43
B-0504-03	D32	B-0529	D35	B-0650-02	D39	B-0665-POL	D43
B-0504-03SL	D32	B-0529-01	D35	B-0650-BSTP	D39	B-0665-RGH	D43
B-0504-LKS	D32	B-0535	D35	B-0650-BSTR	D39	B-0666-POL	D44
B-0504-SL	D32	B-0536	D35	B-0650-POL	D39	B-0666-RGH	D44
B-0505	D32	B-0541	B11	B-0650-RGH	D39	B-0667-POL	D44
B-0505-SL	D32	B-0542	B11	B-0651-06	D39	B-0667-POLM	D44
B-0507	D32	B-0545-F	D36	B-0651-POL	D39	B-0667-RGH	D44
B-0508	D32	B-0545-F03	D36	B-0651-RGH	D39	B-0667-RGHM	D44
B-0508-01	D32, 50	B-0545-F05	D36	B-0652	D40	B-0667-RGHM24	D44
B-0508-02	D33	B-0545-F07	D36	B-0653	D47	B-0668-POL	D44
B-0508-LKS	D32, 33	B-0545-F10	D36	B-0654	D47	B-0668-RGH	D44
B-0509	D33	B-0545-F12	D36	B-0655-01	D40	B-0669-01	D45
B-0512	A29; E13, 22	B-0545-F15	D36	B-0655-02	D40	B-0669-POL	D45
B-0513	E11, 22	B-0545-F20	D36	B-0655-03	D40	B-0669-RGH	D45
B-0520	D34	B-0546	D36	B-0655-04	D40	B-0670-01	D45
B-0520-01	D34	B-0546-133X	D36	B-0655-BSTP	D40	B-0670-POL	D45
B-0520-02	D34	B-0546-133X-AER	D36	B-0655-BSTP-CR	D40	B-0670-RGH	D45
B-0520-F	D34	B-0546-133XLF15	D36	B-0655-BSTR	D40	B-0671-POL	D45
B-0520-F03	D34	B-0575	B12	B-0655-POL	D40	B-0671-RGH	D45
B-0520-F05	D34	B-0576	B12	B-0655-RGH	D40	B-0672-POL	D45
B-0520-F07	D34	B-0577	B12	B-0656-POL	D40	B-0672-RGH	D45
B-0520-F10	D34	B-0577-09	B12	B-0656-RGH	D40	B-0673-POL	D45
B-0520-F12	D34	B-0578	B12	B-0657	D41	B-0673-RGH	D45
B-0520-F15	D34	B-0578-01	B12	B-0657-01	D41	B-0674-BSTP	D46
B-0520-F20	D34	B-0579	B12	B-0657-BST	D41	B-0674-BSTPM	D46
B-0520-F1	D34	B-0579-01	B12	B-0658	D44	B-0674-BSTR	D46
B-0520-F1-F03	D34	B-0580	B14	B-0659	D46	B-0674-BSTRM	D46
B-0520-F1-F05	D34	B-0581	B14	B-0660-BSTP	D41	B-0674-CR-BSTP	D46
B-0520-F1-F07	D34	B-0584	B14	B-0660-BSTR	D41	B-0674-CR-BSTR	D46
B-0520-F1-F10	D34	B-0585	B14	B-0660-POL	D41	B-0674-CR-POL	D46
B-0520-F1-F12	D34	B-0590	B14	B-0660-RGH	D41	B-0674-POL	D46
B-0520-F1-F15	D34	B-0591	B14	B-0661-POL	D41	B-0674-POLM	D46
B-0520-F1-F20	D34	B-0592	B14	B-0661-RGH	D41	B-0674-RGH	D46
B-0521	D34; J7	B-0592-CR	B14	B-0662	D42	B-0674-RGHM	D46
B-0522	D34	B-0594	B14	B-0664	D42	B-0674-RGHM24	D46
B-0522-F	D34	B-0597	B15	B-0664-01	D42	B-0675	D50
B-0522-F03	D34	B-0597-CR	B15	B-0664-02	D42	B-0676	D50
B-0522-F05	D34	B-0597-EE	B15	B-0664-03	D42	B-0676-54V	D50
B-0522-F07	D34	B-0598	B15	B-0664-05	D42	B-0677	D50
B-0522-F10	D34	B-0599-CR	B15	B-0665-BSTP	D43	B-0678	D50
B-0522-F12	D34	B-0600	B15	B-0665-BSTP-963	D43	B-0679	D50
B-0522-F15	D34	B-0601	B15	B-0665-BSTP-CVB	D43	B-0680-ST	D50
B-0522-F20	D34	B-0605	B16	B-0665-BSTP-VRS	D43	B-0682	D50

Model No.	Section & Page	Model No.	Section & Page	Model No.	Section & Page	Model No.	Section & Page
B-0682-ST	D50	B-0730	D49	B-0866-04-LN	D15	B-0892-122X-LAM	D18
B-0685	D50	B-0730-POL	D49	B-0866-04L	D15	B-0892-133X	D19
B-0686	D50	B-0731-POL	D49	B-0866-07-PV	D16	B-0892-135X	D19
B-0687	D51	B-0736	D49	B-0866-L	D15	B-0892-CR	D18
B-0690	D51	B-0736-POL	D49	B-0866-PV	D16	B-0892-CR-HW	D19
B-0691	D51	B-0737	D49	B-0867	D15	B-0892-CR-LF05	D18
B-0692	D45	B-0737-POL	D49	B-0867-04	D15	B-0892-CR-WS	D18
B-0693-POL	D46	B-0800	D25	B-0867-04L	D15	B-0892-F05	D18
B-0695	D47	B-0800-PA	D23	B-0867-04-WS	D15	B-0892-F1-CR-SC	D18
B-0695-ST	D47	B-0805	D25	B-0868-04	D15	B-0892-FC	D18
B-0697	D47	B-0805-01	D25	B-0868-04L	D15	B-0892-LF12-CR4	D19
B-0698	D47	B-0805-01-DP	D25	B-0869-04	D15	B-0892-LF22	D18
B-0699	D47	B-0805-F05	D25	B-0870	D21	B-0892-LN	D19
B-0699-ST	D47	B-0805-PA	D23	B-0870-CR	D21	B-0892-LN-QT	D19
B-0700	D48	B-0805-VF05	D25	B-0871	D21	B-0892-M	D18
B-0700-01	D48	B-0805-VF05-VR	D25	B-0871-CR	D21	B-0892-QT-F05	D19
B-0700-124A	D48	B-0805-VR	D25	B-0871-CR-LF05	D21	B-0892-QT-LF16	D19
B-0700-LT-CR-K	D48	B-0805-VR-LDP	D25	B-0871-CR-PRISON	D21	B-0892-QT-VF05	D19
B-0702	D48	B-0805-VR-VF05	D25	B-0871-CR-WS	D21	B-0892-QT-VF05G	D19
B-0702-WH4	D48	B-0805-WS	D25	B-0871-F05	D21	B-0892-QT-WS	D19
B-0703	D48	B-0806	D25	B-0871-M	D21	B-0892-VF05	D18
B-0703-124A	D48	B-0806-VR	D25	B-0871-VF05	D21	B-0892-VRS	D18
B-0704	D48	B-0807	D26	B-0871-VF22-QT	D21	B-0892-WA	D30
B-0706	D48	B-0807-01	D26	B-0871-VR-CH-QT	D21	B-0892-WS	D18
B-0707	D48	B-0807-PA	D23	B-0871-VRS	D21	B-0893	D18
B-0708	D48	B-0807-VR	D26	B-0871-WS	D21	B-0894	D20
B-0708-JJ	D48	B-0807-WS	D26	B-0873	D21	B-0898	D13, 15, 22
B-0709	D48	B-0808	D26	B-0874	D21	B-0898-OF	D22
B-0709-JJ	D48	B-0830	D27	B-0874-M	D21	B-0899	D22
B-0710	D48	B-0831	D27	B-0877	D22	B-0900	D53
B-0710-01	D48	B-0831-02	D27	B-0885	D16	B-0921	D59
B-0710-HW	D48	B-0831-02VR	D27	B-0890	D20	B-0925	D55, 56, 59
B-0710-WS	D48	B-0831-F05	D27	B-0890-177F	D20	B-0926	D59
B-0711	D48	B-0831-PA	D23	B-0890-CR	D20	B-0929	D50
B-0712	D26	B-0831-VF05	D27	B-0890-CR-LF05	D20	B-0929-A	D45, 50
B-0712-01VRS	D26	B-0831-VR	D27	B-0890-CR-WS	D20	B-0930	D59
B-0712-4DP	D26	B-0831-WA	D29	B-0890-F05	D20	B-0933-ST	D59
B-0712-ESC	D26	B-0831-WS	D27	B-0890-M	D20	B-0937	D59
B-0712-F05	D26	B-0833	D27	B-0890-QT	D20	B-0938	D59
B-0712-PA	D23	B-0834	D27	B-0890-QT-VRS	D20	B-0940	D53
B-0712-VF05	D26	B-0834-01	D27	B-0890-QT-WS	D20	B-0950	A35, 37; D51
B-0712-VF05-4DP	D26	B-0836	D28	B-0890-VF05	D20	B-0950-01	A35, 37; D51
B-0712-WA	D29, 48	B-0837	D28	B-0890-VF05-QT	D20	B-0950-54H	A35, 37; D51
B-0712-WS	D26	B-0837-PA	D23	B-0890-VF22	D20	B-0950-VB	D51
B-0713	D26	B-0842	D26	B-0890-VRS	D20	B-0955	A35; D51
B-0715	D49	B-0850	D7	B-0890-WS	D20	B-0956	A35, 37; D51
B-0715-LT-CR	D49	B-0855	D16	B-0891	D20	B-0957	A35; D51
B-0716	D49	B-0865	D15	B-0892	D18	B-0962	E23
B-0717	D49	B-0865-04	D15	B-0892-01	D18	B-0963	E11-14, 20; J9
B-0718	D49	B-0865-04L	D15	B-0892-01-CR	D18	B-0963-RK	E20; G10; J9
B-0719	D48	B-0866	D15	B-0892-01CR-22	D19	B-0965	D59
B-0720	D49	B-0866-04	D15	B-0892-01-WS	D18	B-0966-RK	G10
B-0720-RGH	D49	B-0866-04-CR	D15	B-0892-01QT	D19	B-0967-RK	G10

Model No.	Section & Page	Model No.	Section & Page	Model No.	Section & Page	Model No.	Section & Page
B-0968	A39, 41; B10, 17; D50	B-1108	C26, 28	B-1121-XS	C27, 31	B-1152	C34
B-0969	D49	B-1110	C27, 29	B-1122	C27, 31	B-1152-092A	C34
B-0968-RK01	G10	B-1110-120X	C27, 29	B-1122-F22	C31	B-1152-092A-VB	C34
B-0969-RK01	G10	B-1110-131X-WH4	C29	B-1122-M	C27, 31	B-1156	C34
B-0970-01	A40; B16; C10; D55	B-1110-133X	C27	B-1122-XS	C27, 31	B-1157	C34
B-0970-FE	ACS22; A50; B17; D6	B-1110-LN	C27, 29	B-1123	C27, 31	B-1157-12	C34
B-0970-FEZ	A23, 52; B6	B-1110-LN-WH4	C27, 29	B-1123-M	C27, 31	B-1171	C35; J3
B-0972	C36; D49	B-1110-LNM	C27, 29	B-1123-XS	C27, 31	B-1171-01	C35
B-0973	D51	B-1110-M	C27, 29	B-1124	C27	B-1171-07	C35; J3
B-0974	D51	B-1110-QT	C27, 29	B-1125	C27, 32	B-1172	C35; J3
B-0975	E12	B-1110-XS	C27, 29	B-1125-LN	C27, 32	B-1172-07	C35; J3
B-1000	D6	B-1110-XS-LN	C27, 29	B-1125-LNM	C32	B-1172-07-133X	C35
B-1020	D52	B-1110-XS-LNM	C27, 29	B-1125-M	C27, 32	B-1172-07-WH4	C35
B-1025	D52	B-1111	C27, 29	B-1125-XS	C32	B-1172-96-135X	C35
B-1025-1	D52	B-1111-M	C27, 29	B-1125-XS-HM	C32	B-1172-TS	C35
B-1025-ST	D52; E22	B-1111-XS	C27, 29	B-1126	C27, 32	B-1173	C35
B-1026-1	D52	B-1112	C27, 29	B-1126-M	C27, 32	B-1173-101-48H	C35
B-1027	D45, 52	B-1112-M	C27, 29	B-1126-XS	C27, 32	B-1174	J6
B-1027-UCP	D52	B-1112-XS	C27, 29	B-1127	C27, 32	B-1176	J6
B-1028	D52	B-1113	C27, 29	B-1127-M	C27, 32	B-1177	C35
B-1029	D52	B-1113-M	C27, 29	B-1128	C27, 32	B-1193	C36
B-1029-1	D52	B-1113-XS	C27, 29	B-1128-M	C27, 32	B-11K	G6
B-1029-2	D52	B-1115	C27, 30	B-1128-XS	C27, 32	B-1200	B6
B-1029-PA	D52	B-1115-131X-WH4	C27, 30	B-1130	C26, 28	B-1200-M	B6
B-1035	D52	B-1115-132X	C27, 30	B-1131	C27, 29	B-1201	B6
B-1035-ST	D50, 52, 59; E22	B-1115-132X-02	C27, 30	B-1131-XS	C27, 29	B-1202	B6
B-1090	D53, 55, 56	B-1115-LN	C27, 30	B-1132	C27, 31	B-1204	B7
B-1091	D53	B-1115-LNM	C27, 30	B-1135	C26, 28	B-1205	B7
B-1092	D53	B-1115-M	C27, 30	B-1136	C27, 30	B-1205-M	B7
B-1095	D53	B-1115-WH4	C30	B-1137	C27, 32	B-1210	B7
B-1097	D53, 55, 56	B-1115-XS	C27, 30	B-1140	C26, 28	B-1210-01	B7
B-10K	G3	B-1116	C27, 30	B-1141	C27, 29	B-1210-01M	B7
B-10K-C	G4	B-1116-M	C27, 30	B-1141-XS	C27, 29	B-1210-01-WFK	B4, 5
B-10K-J	G4	B-1117	C27, 30	B-1142	C27, 33	B-1210-12	B7
B-1100	C26, 28	B-1117-M	C27, 30	B-1142-04	C33	B-1210-12-WFK	B4, 5
B-1100-K	G9	B-1118	C27, 30	B-1142-04A-QT	C27, 33	B-1210-M	B7
B-1100-LN	C26, 28	B-1118-M	C27, 30	B-1142-XS	C27, 33	B-1210-WFK	B3-6
B-1100-LNM	C28	B-1120	C27, 30	B-1145	C26, 28	B-1211	B7
B-1100-M	C26, 28	B-1120-135X-WH4	C31	B-1146	C27, 33	B-1215	B7
B-1101	C26, 28	B-1120-F22	C27, 31	B-1146-01	C33; J6	B-1220	B7
B-1102	C26, 28	B-1120-LN	C31	B-1146-01-WS	C33	B-1222	B7
B-1102-M	C26	B-1120-LN-WH4	C31	B-1146-01A	C33	B-1225	B8
B-1103	C26, 28	B-1120-LNM	C31	B-1146-01A-W4EK	C33	B-1230	B8
B-1103-M	C26	B-1120-M	C27, 31	B-1146-02A	C33	B-1230-WFK	B5
B-1105	C26, 28	B-1120-OCS6-WH4	C30	B-1146-02A-WH4	C33	B-1230-12	B8
B-1105-KIT	G9	B-1120-QT	C27, 31	B-1146-04	C27, 33; J6	B-1231	B8
B-1105-LN	C26, 28	B-1120-QT-WS	C31	B-1146-04-WS	C33	B-1235	B8
B-1105-LNM	C28	B-1120-XS	C27, 31	B-1146-WS	C33	B-1240	B8
B-1105-M	C26	B-1120-XS-LN	C31	B-1146-XS	C27, 33	B-1255	G10
B-1106	C26, 28	B-1120-XS-LNM	C31	B-1147	C27, 32	B-1256	G10
B-1107	C26, 28	B-1121	C27, 31	B-1148	C33	B-12K	G6
		B-1121-M	C27, 31	B-1149	C33	B-12K-T	G6
		B-1121-QT-A22	C31	B-1151	C34	B-1305	D76

Model No.	Section & Page	Model No.	Section & Page	Model No.	Section & Page	Model No.	Section & Page
B-1305-01	D76	B-1458	E13, 17	B-2285-B	A25	B-2710-LH	D4
B-1306	D76	B-1459	E13, 17	B-2285-BC	A26	B-2710-VF05	D4
B-1306-01	D76	B-15K	G7	B-2289	C32	B-2710-VF22	D4
B-1311	D76	B-16K	G3	B-2291	C32	B-2710-WS	D4
B-1336	D76	B-17K	G7	B-2299	C7, 18	B-2711	D4
B-1340	D77	B-18K	G8	B-2299-CR	C7, 18	B-2711FL	D4
B-1341	D77	B-1958	D44	B-2301	D49	B-2711-LF15	D4
B-1342	D77	B-19K	G8	B-2312	B17	B-2711-LH	D4
B-1344	D77	B-1K	G5	B-2320	D19	B-2711-VF05	D4
B-1345	D77	B-20K	G6	B-2331	B17	B-2711-VF22	D4
B-1346	D77	B-2180	A25	B-2338	A26	B-2711-WS	D4
B-1350	D32, 77	B-2187	A25	B-2338-08C	A26	B-2730	D5; J3
B-1351	D32, 77	B-2187-01	A25	B-2338-CR	A26	B-2730-07	D5; J3
B-1355	D32, 77	B-2194	A25	B-2339	E13, 18	B-2730-DRK	G8
B-13K	G6	B-21K	G6	B-2339-02	E13, 18	B-2730-LH	D5; J3
B-1410	A41	B-2223	A25	B-2339-LR	E18	B-2730-WS	D5
B-1411	A41	B-2261	A25	B-2342	C5, 18	B-2731	D5
B-1412	A41	B-2261-B	A25	B-2343	B12	B-2731-LF15	D5
B-1413	B9	B-2271	D46	B-2346	C36	B-2731-LH	D5
B-1420	A41, 42; B9	B-2271-CR	D46	B-2347	D9	B-2731-VF05	D5
B-1421	A41, 42	B-2271-POL	D46	B-2347-05-LVR	D9	B-2731-WS	D5
B-1422	A41, 42	B-2271-POL-CR	D46	B-2349	A26	B-2740	D4, 6
B-1423	A41, 42	B-2278	A23	B-2358	C7, 18	B-2741	D4
B-1424	A42; B9	B-2278-01	A23	B-2360	D37	B-2742	D4
B-1425	A42	B-2278-01-CR	A23	B-2360-01	D37	B-2742-A22	D4
B-1426	A42	B-2278-02	A23	B-2360-01-AR	D37	B-2742-LF05	D4
B-1427	A42	B-2278-02-CR	A23	B-2360-01-PA	D37	B-2742-LH	D4
B-1428	A42	B-2278-0440-CR	A23	B-2360-01-WFK	D37	B-2743	D5; J3
B-1430	E11, 15	B-2278-A12CRCEL	A23	B-2360-02	D37	B-2744	D5
B-1431	E11	B-2278-ADF	A23	B-2360-03	D37	B-2745	D6
B-1432	E11, 15	B-2278-B9	A23	B-2360-04	D37	B-2746	D6
B-1432-01	E11	B-2278-CR	A23	B-2360-AR	D37	B-2749	D6
B-1432-7122-C01	E11	B-2278-CR-C-EL	A23	B-2360-WFK	D37	B-2760-H	D28
B-1433	E11, 15, 18	B-2280	C4, 13	B-2386	D9	B-2800-WA-KIT	G7
B-1433-01	E12, 15	B-2280-060X	C4, 13	B-2387	ACS6; D12	B-2820	D28
B-1433-01M-QDS	E15	B-2280-060X-CR	C4	B-238RK	G7	B-2820-01	D28
B-1433-02	E12, 15	B-2280-CR	C4, 13	B-23K	G7	B-2820-PA	D24, 28
B-1433-04	E12, 15	B-2280-EE-061X	C4	B-2403	D6	B-2821	D28
B-1433-7132-01M	E12, 15	B-2282	B10	B-2460	D49	B-2823-02	D29
B-1433-7212-01	E12	B-2282-01	B10	B-2464	D32	B-2850	D7
B-1433-CR	E15	B-2282-01-F05	B10	B-2480	D47	B-2850-01	D7
B-1433-CR-SC	E12	B-2282-01-M10	B10	B-2490	D28	B-2850-F05	D7
B-1433-CR-QDS	E15	B-2282-F03	B10	B-24K	G3	B-2850-L	D7
B-1433-SC01	E12	B-2282-F05	B10	B-2490-PA	D24	B-2850-WH4	D7
B-1434-RG	E12, 15	B-2282-F07	B10	B-2501	C7, 15	B-2850-WS	D7
B-1436	E13, 16	B-2282-F10	B10	B-2501-CR	C7, 15	B-2851	D9
B-1437	E13	B-2282-F12	B10	B-2701	D6	B-2851-133X-VR	D9
B-1439	E13, 16	B-2282-F15	B10	B-2701-VF05	D6	B-2851-L	D9
B-1444	E13, 16	B-2282-F20	B10	B-2701-VR	D6	B-2852	D9
B-1444-CV	E13, 16	B-2283	C5, 14	B-2703	D6	B-2853-RSW-061X	D12
B-1453	E13, 16	B-2283-065X	C5, 14	B-2703-LF15	D6	B-2855	D13
B-1454	E13, 18	B-2283-CR	C5, 14	B-2703-VF05	D6	B-2855-01	D13
B-1457	E17	B-2285	A25	B-2710	D4	B-2855-WS	D13



Model No.	Section & Page	Model No.	Section & Page	Model No.	Section & Page	Model No.	Section & Page
B-2859	D12	B-2867-04FC	D8	B-3404-PBV	D54, 57, 58	B-3972-VR	C39
B-2862	D10	B-2867-04VRS	D8	B-3405	D54, 57	B-3972-XS	C39
B-2862-WS	D10	B-2868-04	D8	B-3406	D54, 57	B-3972-01	C36, 39
B-2865	D7	B-2869-04	D8	B-3406-VB	D54, 57	B-3972-01-XS	C39
B-2865-04	D7	B-2885	D13	B-3500	D3, 54, 58	B-3990	C40, 42
B-2865-04-122X	D7	B-290-K	G5	B-3501	D54, 58	B-3990-01	C40, 42
B-2865-04-WA	D30	B-2955	D13	B-3504	D54, 58	B-3990-01-3X	C40, 42
B-2865-04L	D17	B-2970	D22	B-3504-PBV	D54, 58	B-3990-01-5X	C40, 42
B-2865-05	D17	B-2971	D22	B-3505	D54, 58	B-3990-3KIT	C41
B-2865-05-0CS8	D17	B-2990	D14	B-3506	D54, 58	B-3990-3X	C40, 42
B-2865-05-120XA	D17	B-2990-175F	D14	B-3506-VB	D54, 58	B-3990-5KIT	C41
B-2865-05CR	D17	B-2990-180F	D14	B-3507-VB	D54	B-3990-5X	C40, 42
B-2865-06	D17	B-2990-F05	D14	B-3940	C36, 38	B-3990-BSP	C40, 42
B-2865-06CR	D17	B-2990-FL	D14	B-3940-M	C38	B-3990-BSP3X	C40, 42
B-2865-LF05	D7	B-2990-P	D14	B-3940-XL	C38	B-3990-BSP5X	C40, 42
B-2866	D10	B-2990-PWH4	D14	B-3940-XS	C38	B-3992	C40, 42
B-2866-01	D11	B-2990-VF05	D14	B-3940-01	C36, 38	B-3992-01	C40, 42
B-2866-01QT-VRF	D10, 11	B-2990-WH4	D14	B-3940-01M	C38	B-3992-01-3X	C40, 42
B-2866-04	D10	B-2990-WH4-QT	D14	B-3940-01-XS	C38	B-3992-01-5X	C40, 42
B-2866-04-01QT	D10	B-2990-WH4-WS	D14	B-3942	C36, 38	B-3999-0F	C37, 39
B-2866-04-QT	D10	B-2990-WS	D14	B-3942-XL	C38	B-3999-0F-XL	C37
B-2866-04L	D17	B-2991	D29	B-3942-XS	C38	B-3992-3X	C40, 42
B-2866-04VRS	D10	B-2991-P	D29	B-3942-01	C36, 38	B-3992-5X	C40, 42
B-2866-05	D11	B-2991-PA	D24	B-3942-01-XS	C38	B-39K	C37; G9
B-2866-05-LF08	D11	B-2991-PWH4	D29	B-3945	C37	B-5K	G5
B-2866-05-LF15	D11	B-2991-VR	D29	B-3950	C36, 38	B-50P	G9
B-2866-05-LT	D11	B-2991-WA	D30	B-3950-M	C38	B-6K	G5
B-2866-05-QT	D11	B-2991-WS	D29	B-3950-SB	C38	B-6RK	G5
B-2866-05-VF05	D11	B-2992	D17	B-3950-VR	C38	B-7102	E3, 4, 10
B-2866-05-VF22	D11	B-2992-180F	D17	B-3950-XL	C38	B-7102-01	E3, 4, 10
B-2866-05VRS	D11	B-2992-L	D17	B-3950-XS	C38	B-7102-01M	E3, 4, 10
B-2866-05-WA	D30	B-2992-P	D17	B-3950-01	C36, 38	B-7102-08H	E3, 4, 10
B-2866-05CR	D11	B-2992-PWH4	D17	B-3950-01-M	C38	B-7102-08M	E3, 4, 10
B-2866-05FC	D11	B-2992-WH4	D17	B-3950-01-M12	C38	B-7112	E10
B-2866-05FC-CR	D11	B-2K	G8	B-3950-01-SB	C38	B-7112-01	E4, 10; J7
B-2866-05FC-PV	D12	B-30K	G7	B-3952	C36, 38	B-7112-01M	E4, 10
B-2866-05FC-QT	D12	B-3200	D3, 54, 55	B-3952-VR	C38	B-7112-02	E4, 10
B-2866-05QT-VRS	D12	B-3201	D54, 55	B-3952-XL	C38	B-7112-05	E4, 10
B-2866-05QT-WS	D12	B-3204	D54, 55	B-3952-XS	C38	B-7112-08H	E4, 10
B-2866-05-WS	D11	B-3204-PBV	D54, 55	B-3952-01	C36, 38	B-7112-08M	E4, 10
B-2866-F05	D10	B-3205	D54, 55	B-3960	C36, 39	B-7112-10	E4, 10
B-2866-LF12-CR4	D10	B-3206	D54, 55	B-3960-XS	C39	B-7122-C	E5, 10
B-2866-QT-21VR	D10	B-3206-VB	D54, 55	B-3960-01	C36, 39	B-7122-C01	E5, 10
B-2866-QT-VF05	D10	B-3300	D3, 54, 56	B-3960-01-XS	C39	B-7122-C01M	E5, 10
B-2866-QT-VF05G	D10	B-3301	D54, 56	B-3962	C36, 39	B-7122-C02	E5, 10
B-2866-VF05	D10	B-3304	D54, 56	B-3962-01	C36, 39	B-7122-C05	E5, 10
B-2867	D8	B-3304-PBV	D54, 56	B-3962-01-XS	C39	B-7122-C08H	E5, 10
B-2867-04	D8	B-3305	D54, 56	B-3970	C36, 39	B-7122-C08M	E5, 10
B-2867-04L	D17	B-3306	D54, 56	B-3970-VR	C39	B-7122-C10	E5, 10
B-2867-04-F05	D8	B-3306-VB	D54, 56	B-3970-XS	C39	B-7132	E10
B-2867-04-LF15	D8	B-3400	D3, 54, 57	B-3970-01	C36, 39	B-7132-01	E4, 10; P7
B-2867-04-VF05	D8	B-3401	D54, 57	B-3970-01-XS	C39	B-7132-01M	E4, 10
B-2867-04-WS	D8	B-3404	D54, 57	B-3972	C36, 39	B-7132-02	E4, 10

ACS = Accessories A = Pre-Rinse B = Pot, Kettle and Glass Filler C = Faucets and Components

CP = ChekPoint Faucets D = Institutional, Medical and Lab Products E = Washdown Stations F = Safe-T-Link G = Parts Kits

H = Emergency Equipment I = Equip J = Pet Care K = EnviroPure

Model No.	Section & Page	Model No.	Section & Page	Model No.	Section & Page	Model No.	Section & Page
B-7132-05	E4, 10	B-7242-01M	E6, 10	B-WH6C	ACS14	BL-4422-01	D64
B-7132-08H	E4, 10	B-7242-02	E6, 10	B-WH6H	ACS14	BL-4500-01	D65
B-7132-08M	E4, 10	B-7242-05	E6, 10	BF-0034-A	B19	BL-4500-02	D65
B-7132-10	E4, 10	B-7242-08H	E6, 10	BF-0062-X	B20	BL-4500-04	D65
B-7142	E4, 10	B-7242-10	E6, 10	BF-0135-X	B20	BL-4501-01	D65
B-7142-01	E4, 10; J7	B-7242-C	E7, 10	BF-0136-X	B20	BL-4520-01	D65
B-7142-01M	E4, 10	B-7242-C01	E7, 10	BF-0153-X	B20	BL-4520-02	D65
B-7142-02	E4, 10	B-7242-C01M	E7, 10	BF-0176	A34; B19	BL-4700-01	D66
B-7142-05	E4, 10	B-7242-C02	E7, 10	BF-0178-A	B19, 20	BL-4700-01MF	D66
B-7142-08H	E4, 10	B-7242-C05	E7, 10	BF-0400	B19	BL-4700-02	D66
B-7142-08M	E4, 10	B-7242-C08H	E7, 10	BF-0401	B19	BL-4705-01	D67
B-7142-10	E4, 10	B-7243-02	E6	BF-0402	B19	BL-4705-02	D67
B-7142-C	E5, 10	B-7243-05	E6	BF-PRU-RK	G3	BL-4705-03	D67
B-7142-C01	E5, 10	B-7243-08H	E6	BL-4000-01	D62, 63	BL-4710-01	D66
B-7142-C01M	E5, 10	B-7245	E10	BL-4000-01M	D62	BL-4710-02	D66
B-7142-C02	E5, 10	B-7245-03	E6, 10	BL-4005-01	D62	BL-4710-03	D66
B-7142-C05	E5, 10	B-7245-04	E6, 10	BL-4010-01	D62-64	BL-4720-01	D66
B-7142-C08H	E5, 10	B-7245-06	E6, 10	BL-4100-0	D62	BL-4720-01MF	D66
B-7142-C08M	E5, 10	B-7245-07	E6, 10	BL-4100-01	D62	BL-4720-02	D66
B-7142-C10	E5, 10	B-7245-NH	E6	BL-4100-02	D62	BL-4720-02MF	D66
B-7161-C	E14	B-7K	G5	BL-4100-03	D62	BL-4720-03	D66
B-7212	E6, 10	B-8K	G6	BL-4100-04	D62	BL-4730-03	D66
B-7212-01	E6, 10; J7	B-9K	G8	BL-4100-05	D62	BL-4740-03	D67
B-7212-01M	E6, 10	B-CVH1-2	ACS20; A24; E11, 21	BL-4102-0	D62	BL-4750-03	D67
B-7212-02	E6, 10	B-CVH3-4	ACS20; A24, 34; E21	BL-4102-01	D62	BL-4750-05	D67
B-7212-05	E6, 10	B-CVH3-8	ACS20; A29	BL-4102-02	D62	BL-4750-06	D67
B-7212-08H	E6, 10	B-CVV1-2	ACS20; E21	BL-4200-0	D63	BL-4750-07	D67
B-7212-08M	E6, 10	B-CVV3-4	A34; E23	BL-4200-01	D63	BL-5500-0	D74
B-7212-10	E6, 10	B-GFE	ACS9, 19	BL-4200-02	D63	BL-5500-07	D63, 64, 74
B-7212-11	E6, 10	B-GH	ACS9, 19	BL-4200-04	D63	BL-5500-09	D74
B-7222-C	E7	B-KF	A35, 50	BL-4203-0	D63	BL-5500-10	D62-64, 74
B-7222-C01	E7	B-KG	A50	BL-4203-01	D63	BL-5500-12	D73
B-7222-C01M	E7	B-LT	ACS3, 7; C24; D78	BL-4203-02	D63	BL-5505-07	D74
B-7222-C02	E7	B-PT	A44; ACS3, 7; C9; D78	BL-4203-04	D63	BL-5545-01	D74
B-7222-C05	E7	B-PRU-RK	G3	BL-4210-0	D63	BL-5550-01	D74
B-7222-C08H	E7	B-PV	D16	BL-4210-01	D63	BL-5550-01F	D74
B-7222-C08M	E7	B-SD	ACS15	BL-4210-02	D63	BL-5550-01F-03	D74
B-7222-C10	E7	B-SDA	ACS15	BL-4210-04	D63	BL-5550-01F-05	D74
B-7222-C11	E7	B-SDA-WM	ACS15	BL-4250-01	D63	BL-5550-01F-07	D74
B-7232	E6, 10	B-TEE-EZK	ACS16; A17, 50	BL-4250-02	D64	BL-5550-01F-10	D74
B-7232-01	E6, 10; J7	B-TEE-RGD	ACS16; A17, 50	BL-4250-03	D64	BL-5550-01F-12	D74
B-7232-01M	E6, 10	B-VRS	D9, 10, 12, 21	BL-4250-04	D64	BL-5550-01F-15	D74
B-7232-02	E6, 10	B-WFC	B3, 4, 6	BL-4250-05	D64	BL-5550-01F-20	D74
B-7232-05	E6, 10	B-WFDS	B3, 4, 6	BL-4250-06	D64	BL-5550-04	D74
B-7232-08H	E6, 10	B-WFK	B4, 6	BL-4250-07	D64	BL-5550-05	D74
B-7232-08M	E6, 10	B-WH4	ACS14	BL-4250-08	D64	BL-5550-09	D75
B-7232-10	E6, 10	B-WH4-AM	ACS14	BL-4260-01	D64	BL-5550-10	D75
B-7232-11	E6, 10	B-WH4-K	G8	BL-4300-0	D64	BL-5550-12	D75
B-7233-02	E6	B-WH4C	ACS14	BL-4300-01	D64	BL-5550-23	D75
B-7233-05	E6	B-WH4C-AM	ACS14	BL-4300-02	D64	BL-5550-24	D75
B-7233-08H	E6	B-WH4H	ACS14	BL-4350-01	D65	BL-5550-30	D75
B-7242	E6	B-WH4H-AM	ACS14	BL-4355-01	D65	BL-5560-01	D76
B-7242-01	E6, 10; J7	B-WH6	ACS14	BL-4422-0	D64	BL-5560-02	D76

ACS = Accessories A = Pre-Rinse B = Pot, Kettle and Glass Filler C = Faucets and Components

CP = ChekPoint Faucets D = Institutional, Medical and Lab Products E = Washdown Stations F = Safe-T-Link G = Parts Kits

H = Emergency Equipment I = Equip J = Pet Care K = EnviroPure

Model No.	Section & Page	Model No.	Section & Page	Model No.	Section & Page	Model No.	Section & Page
BL-5561-01	D76	BL-5740-02	D72	EC-3100-SMT8	CP10	EC-3130-4DP	CP3, 5, 15, 19
BL-5561-02	D76	BL-5740-08	D72	EC-3100-SMT8V05	CP10	EC-3130-8DP	CP3, 5, 15, 19
BL-5561-03	D76	BL-5750-01	D72	EC-3100-TMV	CP4, 6, 10-11; 17	EC-3130-HG	CP5, 15
BL-5700-01	D68	BL-5755-01	D72	EC-3100-TMV4VF05	CP10	EC-3130-LF22	CP5, 15
BL-5700-02	D68	BL-5775-01	D72	EC-3100-TMVHGF10	CP10	EC-3130-LN	CP15
BL-5700-03	D68	BL-5775-08	D72	EC-3100-VF05	CP4, 6, 10	EC-3130-ST-VF05	CP15
BL-5700-04	D68	BL-5850-01	D72	EC-3100-VF5-TMV	CP10	EC-3130-TMV	CP17
BL-5700-08	D68	BL-5850-01TL	D72	EC-3100-XP-LF10	CP10	EC-3130-VF05	CP5, 15
BL-5700-08-VR	D68	BL-5850-02	D72	EC-3101	CP4, 11, 18	EC-3130-XP-F10	CP15
BL-5700-09	D68	BL-5860-01TL	D70	EC-3101-HG	CP4, 6, 11	EC-3130-XP-F15	CP15
BL-5704-01	D69	BL-6000-02	D73	EC-3101-LF22	CP4, 6, 11	EC-3132	CP3, 16, 18
BL-5704-02	D69	BL-6000-03	D73	EC-3101-LF22-SB	CP4, 6, 11	EC-3132-4DP	CP3, 5, 16, 19
BL-5704-03	D69	BL-6005-02	D73	EC-3101-LN	CP4, 11	EC-3132-8DP	CP3, 5, 16, 19
BL-5704-04	D69	BL-6005-03	D73	EC-3101-SB	CP4	EC-3132-HG	CP5, 16
BL-5704-05	D69	BL-6050-01	D73	EC-3101-TMV	CP4, 6, 11, 17	EC-3132-LF22	CP5, 16
BL-5704-08	D69	BL-6050-02	D73	EC-3101-TMVHGF10	CP11	EC-3132-ST-VF05	CP16
BL-5704-08WH4	D69	BL-9000-01	D68	EC-3101-VF05	CP4, 6, 11	EC-3132-TMV	CP17
BL-5704-09	D69	BL-9000-03	D68	EC-3101-VF5-TMV	CP11	EC-3132-VF05	CP5, 16
BL-5705-01	D69	BL-9000-04	D68	EC-3101-XP-LF10	CP11	EC-ADEWIRE	CP7, 19
BL-5705-02	D69	BL-9000-05	D68	EC-3102	CP4, 6, 12, 18	EC-EASYWIRE	CP4, 7, 19
BL-5705-03	D69	BL-9000-09	D68	EC-3102-4DP	CP4, 19	EC-EASYWIRE4CC	CP7, 19
BL-5705-04	D69	BL-9000-10	D68	EC-3102-8DP	CP4, 6, 19	EC-EASYWIRE5EXT	CP7, 19
BL-5705-08	D69	BL-9005-01	D68	EC-3102-HG	CP4, 6, 11-12, 18	EC-FILTER	CP17
BL-5705-08-VR	D69	BL-9505-01	D73	EC-3102-LF22	CP4, 6, 12	EC-HARDWIRE	CP4, 7, 19
BL-5705-09	D69	BL-9505-02	D73	EC-3102-SM	CP4, 6, 12	EC-HYDROGEN	CP4, 8-9, 17
BL-5707-01	D70	BL-9515-01	D73	EC-3102-SMT	CP4, 11	EC-SMT	CP4, 6-8, 17
BL-5707-03	D71	BL-9515-02	D73	EC-3102-SMT4	CP12	EC-TMV	CP4, 7-8, 17
BL-5707-04	D70	BL-9515-03	D73	EC-3102-SMT4V05	CP12	ECR-D0810-107	CP21, 22
BL-5707-05	D76	BR-10	A37, 50	EC-3102-SMT8	CP12	EMV-0522-24	I24
BL-5707-10	D76	EB-0060-H	B20, 34	EC-3102-SMT8V05	CP12	EW-7360B	H4; J10
BL-5709-01	D71	EB-0068-H	A39	EC-3102-TMV	CP4, 6, 11-12, 17	EW-7501	H4; J10
BL-5709-02	D71	EB-0096-H	J3	EC-3102-TMV4V05	CP12	EW-7611	H4; J10
BL-5709-04	D71	EB-0104-H	B17	EC-3102-VF05	CP4, 6, 12	EW-7612	H4; J10
BL-5709-05	D71	EB-0107	E8, 13, 20; J3, 8	EC-3102-VF5-TMV	CP12	EW-7612LH	H4; J10
BL-5709-08	D71	EB-0107-035	B16, 17, 20; J8	EC-3103	CP4, 13, 18	EW-8904	H5; J10
BL-5709-08WH4	D71	EB-0144-H	B17	EC-3103-HG	CP4, 6, 11, 13	EW-9082	H4
BL-5709-09	D71	EB-10K	G4; J2	EC-3103-LF22	CP4, 6, 13	EW-9095	H5
BL-5710-01	D70	EB-2322	E8, 19; J8	EC-3103-TMV	CP4, 6, 13, 17	EW-9201EF	H5
BL-5710-03	D70	EB-2322-QD	E15	EC-3103-VF05	CP4, 6, 13	EW-SP90	H6
BL-5710-07	D70	EC-3100	CP4, 10, 18	EC-3103-VF5-TMV	CP13	EW-SP131	H6
BL-5710-09	D70	EC-3100-120X	CP10	EC-3106	CP4, 13, 18	EW-SP140	H6
BL-5715-01	D70	EC-3100-4DP	CP19	EC-3106-4DP	CP19	EW-SP170	H6
BL-5715-02	D70	EC-3100-8DP	CP19	EC-3106-8DP	CP19	EW-SP21FC	H6
BL-5715-08	D70	EC-3100-HG	CP4, 6, 10-11	EC-3106-HG	CP6, 11, 13	EW-SP225	H6
BL-5715-09	D70	EC-3100-LF22	CP4, 6, 10	EC-3106-TMV	CP11, 17	EW-SP509	H6
BL-5725-01	D70	EC-3100-LF22-SB	CP4, 6, 10	EC-3106-VF05	CP4, 6, 13	EZ-K	G9
BL-5725-02	D70	EC-3100-LN	CP4, 10	EC-3122	CP3, 14, 18	EZ-SWIVEL-CZ	ACS21
BL-5725-08	D70	EC-3100-SB	CP4	EC-3122-4DP	CP5, 14, 19	EZ-SWIVEL-FM	ACS21
BL-5725-09	D70	EC-3100-SM	CP4, 6, 10, 11	EC-3122-8DP	CP5, 14, 19	G016636-45	E5, 7-9; J9
BL-5735-01	D71	EC-3100-SM-4DP	CP10	EC-3122-HG	CP5, 14	G016637-45	E5, 7-9; J9
BL-5735-02	D71	EC-3100-SMT	CP4, 11	EC-3122-TMV	CP17	G016652-45	E5, 7-9
BL-5735-09	D71	EC-3100-SMT4	CP10	EC-3122-VF05	CP5, 14	G016737-45	E5, 7-9
BL-5740-01	D72	EC-3100-SMT4V05	CP10	EC-3130	CP3, 15, 18	G018477-45	E5, 7-9; J9

Model No.	Section & Page	Model No.	Section & Page	Model No.	Section & Page	Model No.	Section & Page
G018682-45	I24	HG-4C-36SK	F5-8	HG-4E-48S-RC	F5-8	MV-0771-12N	J9
G018684-45	I24	HG-4C-48	F5-8	HG-4E-48SK	F5-8	MV-0771-12N-BV	E24
HG-2C-36	F5-8	HG-4C-48K	F5-8	HG-4E-48SK-PS	F5-8	MV-0771-12N-BVT	E24
HG-2C-36-PS	F5-8	HG-4C-48S	F5-8	HG-4E-60	F5-8	MV-0771-12N-NW	E23; J9
HG-2C-36K	F5-8	HG-4C-48K-PS	F5-8	HG-4E-60K	F5-8	MV-0771-12R	E23
HG-2C-36S	F5-8	HG-4C-48SK	F5-8	HG-4E-60S	F5-8	MV-0771-12R-VB	E23
HG-2C-48	F5-8	HG-4C-48SK-PS	F5-8	HG-4E-60SK	F5-8	MV-1907-04C	E24
HG-2C-48-PS	F8	HG-4C-60	F5-8	HG-4F-48	F5-8	MV-1907-11	E23
HG-2C-48K	F5-8	HG-4C-60K	F5-8	HG-4F-48K	F5-8	MV-1907-11CW	E24
HG-2C-48S	F5-8	HG-4C-60S	F5-8	HG-4F-48S	F5-8	MV-1907-11CW-ER	E24
HG-2C-48SK	F5-8	HG-4C-60SK	F5-8	HG-4F-48SK	F5-8	MV-1907-12	E23
HG-2C-60	F5-8	HG-4C-72	F5-8	HG-4F-60	F5-8	MV-1907-12C	E23
HG-2C-72	F5-8	HG-4C-72K	F5-8	HG-4F-60K	F5-8	MV-1907-12CW	E24
HG-2C-72K	F5-8	HG-4C-72S	F5-8	HG-4F-60S	F5-8	MV-2516	E19
HG-2D-24	F5-8	HG-4D-24	F5-8	HG-4F-60SK	F5-8	MV-2516-21	E19
HG-2D-24K	F5-8	HG-4D-24K	F5-8	HG-6D-48	F5-8	MV-2516-22	E19
HG-2D-24S	F5-8	HG-4D-24S	F5-8	HG-6D-72	F5-8	MV-2516-23	E19
HG-2D-24SK	F5-8	HG-4D-24SK	F5-8	HG-SD-36	F5-8	MV-2516-24	E5, 7, 8, 19
HG-2D-36	F5-8	HG-4D-36	F5-8	HG-SD-48	F5-8	MV-2516-31	E19
HG-2D-36K	F5-8	HG-4D-36K	F5-8	HW-2B-24	F10, 11	MV-2516-32	E19
HG-2D-36S	F5-8	HG-4D-36-PS	F5-8	HW-2B-36	F10, 11	MV-2516-33	E19
HG-2D-36SK	F5-8	HG-4D-36K-PS	F5-8	HW-2B-48	F10, 11	MV-2516-34	E5, 7, 8, 19
HG-2D-48	F5-8	HG-4D-36S	F5-8	HW-2B-72	F10, 11	MV-2516-41	E19
HG-2D-48K	F5-8	HG-4D-36SK	F5-8	HW-2C-36	F10, 11	MV-2516-42	E19
HG-2D-48S	F5-8	HG-4D-36SK-PS	F5-8	HW-2C-48	F10, 11	MV-2516-43	E19
HG-2D-48SK	F5-8	HG-4D-48	F5-8	HW-2C-60	F10, 11	MV-2516-44	E5, 7, 8, 19
HG-2D-60	F5-8	HG-4D-48K	F5-8	HW-2C-72	F10, 11	MV-2522	E19
HG-2D-60S	F5-8	HG-4D-48-PS	F5-8	HW-2D-48	F10, 11	MV-2522-21	E19
HG-2D-60SK	F5-8	HG-4D-48K-PS	F5-8	HW-4B-24	E18; F10, 11	MV-2522-22	E19
HG-2D-72	F5-8	HG-4D-48S	F5-8	HW-4B-36	E17; F10, 11	MV-2522-23	E19
HG-2D-72K	F5-8	HG-4D-48S-PS	F5-8	HW-4B-48	F10, 11	MV-2522-24	E5, 7, 8, 19; J8
HG-2D-72S	F5-8	HG-4D-48SEL-PS	F5-8	HW-4B-72	F10, 11	MV-2522-31	E19
HG-2D-72SK	F5-8	HG-4D-48SK	F5-8	HW-4B-72VB	F10, 11	MV-2522-32	E19
HG-2E-36	F5-8	HG-4D-48SK-PS	F5-8	HW-4C-36	F10, 11	MV-2522-33	E19
HG-2E-36K	F5-8	HG-4D-60	F5-8	HW-4C-48	F10, 11	MV-2522-34	E5, 7, 8, 19
HG-2E-36S	F5-8	HG-4D-60-PS	F5-8	HW-4C-60	F10, 11	MV-2522-41	E19
HG-2E-36SK	F5-8	HG-4D-60K	F5-8	HW-4C-72	F10, 11	MV-2522-42	E19
HG-2E-48	F5-8	HG-4D-60S	F5-8	HW-4C-72VB	F10, 11	MV-2522-43	E19
HG-2E-48K	F5-8	HG-4D-60S-PS	F5-8	HW-4D-48	F10, 11	MV-2522-44	E5, 7, 8, 19
HG-2E-48S	F5-8	HG-4D-60SK	F5-8	HW-6C-36	F10, 11	MV-3516-21	E19
HG-2E-48SK	F5-8	HG-4D-60SK-PS	F5-8	HW-6C-48	F10, 11	MV-3516-22	E19
HG-2E-60	F5-8	HG-4D-72	F5-8	HW-6D-48	F10, 11	MV-3516-23	E19
HG-2E-60K	F5-8	HG-4D-72K	F5-8	MPY-2DCN-06	A5	MV-3516-24	E5, 7, 8, 19
HG-2E-60S	F5-8	HG-4D-72S	F5-8	MPZ-2DCN-06	A5	MV-3516-24-RK	E19
HG-2E-72	F5-8	HG-4D-72SK	F5-8	MPZ-2DLN-06	A5	MV-3516-25	E19; J8
HG-2E-72K	F5-8	HG-4E-36	F5-8	MPZ-8WCN-06	A5	P3-8WESV-08M	J3
HG-2E-72S	F5-8	HG-4E-36K	F5-8	MPZ-8WLN-06	A5	PA-B	ACS14
HG-2F-48	F5-8	HG-4E-36S	F5-8	MPZ-KIT-LN06	A5	PA-B-AM	ACS14
HG-2F-48K	F5-8	HG-4E-36SK	F5-8	MPZ-KIT-LN06-CR	A5	PA-C	ACS14
HG-2F-48SK	F5-8	HG-4E-48	F5-8	MV-0771-11CW	E23	PA-H	ACS14
HG-4C-36	F5-8	HG-4E-48K	F5-8	MV-0771-11NW	E23	PG-0001	J2
HG-4C-36K	F5-8	HG-4E-48K-PS	F5-8	MV-0771-12C	E23; J9	PG-0002	J2
HG-4C-36S	F5-8	HG-4E-48S	F5-8	MV-0771-12CW	E23; J9	PG-0003	J2

ACS = Accessories **A** = Pre-Rinse **B** = Pot, Kettle and Glass Filler **C** = Faucets and Components

CP = ChekPoint Faucets **D** = Institutional, Medical and Lab Products **E** = Washdown Stations **F** = Safe-T-Link **G** = Parts Kits

H = Emergency Equipment **I** = Equip **J** = Pet Care **K** = EnviroPure

Model No.	Section & Page	Model No.	Section & Page
PG-0123	J2	SQ-0092	D53, 59
PG-0123-B	J2	SQ-0093	A50; D53
PG-0133	J2	SQ-0094	D53
PG-0133-B	J2	SQ-0095	D53, 59
PG-1DREV	J2	SQ-0099	D53
PG-1WSAV-06	J2	SQ-0100	D53
PG-1171	J3	TT1	ACS6
PG-1172	J3	VRS-1	B19, 20; D21
PG-2187	J3	VRS-2	D8, 9, 20
PG-2730	J3		
PG-2730-07	J3		
PG-2730-LH	J3		
PG-2743	J3		
PG-35AV	J2		
PG-35AV-CH	J2		
PG-35AV-CH01	J2		
PG-35AV-CH02	J2		
PG-35AV-CH03	J2		
PG-35AV-CH05	J2		
PG-4DREV	J2		
PG-8DREV	J2		
PG-8DSAN-06	J4		
PG-8DSAN-08	J4		
PG-8DSAN-10	J4		
PG-8DSAN-12	J4		
PG-8DSAN-14	J4		
PG-8DSAN-16	J4		
PG-8DSAN-18	J4		
PG-8DSAV-06	J4		
PG-8DSAV-08	J4		
PG-8DSAV-10	J4		
PG-8DSAV-12	J4		
PG-8DSAV-14	J4		
PG-8DSAV-16	J4		
PG-8DSAV-18	J4		
PG-8WOAN-06	J5		
PG-8WOAN-08	J5		
PG-8WOAN-10	J5		
PG-8WOAN-12	J5		
PG-8WOAN-14	J5		
PG-8WOAN-16	J5		
PG-8WOAN-18	J5		
PG-8WSAV-06	J5		
PG-8WSAV-08	J5		
PG-8WSAV-10	J5		
PG-8WSAV-12	J5		
PG-8WSAV-14	J5		
PG-8WSAV-16	J5		
PG-8WSAV-18	J5		
PG-8WREV	J2		
PG-8WSAV-08	J2		
POSI-SET™	F3, 6-8		

? Can't find the T&S product you're looking for?
Please visit www.tsbrass.com for a complete product listing.



INNOVATION

T&S Brass has always been an innovator in the foodservice plumbing industry. Over 65 years ago we introduced the B-0107 spray valve to the world – the first pre-rinse spray valve. The B-0107 pre-rinse spray valve was an industry game changer that helped restaurants become more effective and efficient in their rinse-down tasks. We were on our way to becoming the industry leader.

Today, we design and manufacture many more innovative foodservice and plumbing products, always with you in mind. In all that we do we are keenly attentive to your needs and to the challenges of water and energy conservation, with the goal to save you time and money.

Our commitment to you and to innovation means that you can always count on T&S's *Reliability Built In™*.

www.tsbrass.com

SPECS:
B-0107 SPRAY VALVE
1.42 GPM @ 60 PSI
EPA Act 2005 Compliant
AB1953 Compliant
The Industry Standard



T&S Brass and Bronze Works, Inc.

2 Saddleback Cove • P.O. Box 1088 • Travelers Rest, SC 29690
Toll-free 800-476-4103 • Phone 864-834-4102 • Fax 800-868-0084



RELIABILITY BUILT IN™

www.tsbrass.com

T&S BRASS AND BRONZE WORKS, INC.

2 Saddleback Cove • P.O. Box 1088 • Travelers Rest, SC 29690

U.S. Toll-free 800-476-4103 • +1 864-834-4102 • Fax 800-868-0084 • E-mail tsbrass@tsbrass.com

Canada Toll-free 888-288-0432

West Coast Sales and Distribution

4596 Ish Drive • Unit 220 • Simi Valley, CA 93063

U.S. Toll-free 800-423-0150 • +1 805-527-7696

Shanghai Sales and Distribution

Section A, 1st Floor, Building A • No. 368 Delin Road WGQ FTZ • Pudong, Shanghai, P.R.C. 200131

Phone +86 21 50462618

European Sales Representative

Versele Global Marketing • Generaal Deprezstraat 10B - B-8530 Harelbeke • Belgium

Phone +32 (0)56 245800 • info@verseleglobal.com

